



## INSTALLATION INSTRUCTIONS FOR PART 88-00-3302

### APPLICATIONS

**1995-2001 General Motors  
Full Size Trucks & SUV's**

# 88-00-3302



#### KIT FEATURES

- Kit Replacement Pocket

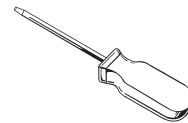
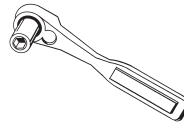
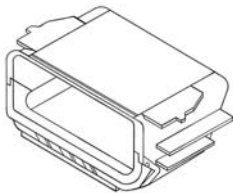
#### KIT COMPONENTS

A) Pocket

#### TOOLS REQUIRED:

Socket Wrench | Flat Blade Screwdriver

A



#### TABLE OF CONTENTS

Dash Disassembly: pg. 1 & pg. 2  
Final Assembly: pg. 3



**1-800-221-0932**

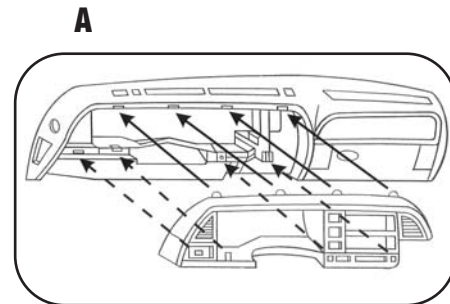


**www.metraonline.com**

© COPYRIGHT 2004 METRA ELECTRONICS CORPORATION

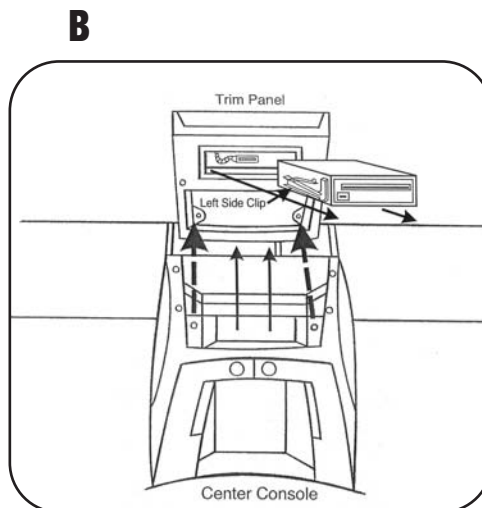
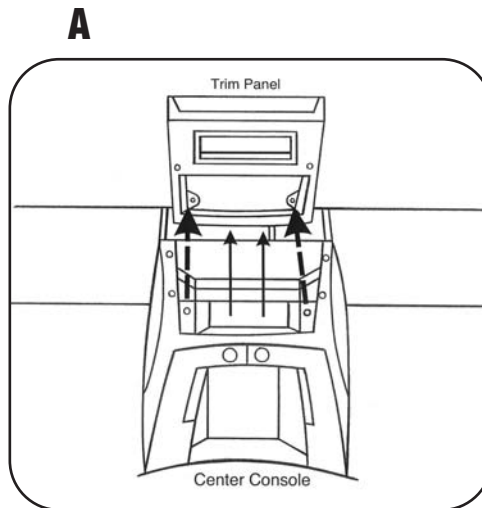
**Most vehicles with CD player/cassette player in dash**

- 1** Disconnect the negative battery terminal to prevent an accidental short circuit.
- 2** Unclip and remove entire panel surrounding the radio, climate controls and instrument cluster. (Figure A)
- 3** Depress the clips on each side of the unit and slide straight out.



## Most vehicles with CD player/cassette player in center console

- 1 Disconnect the negative battery terminal to prevent an accidental short circuit.
- 2 Open door on pocket below CD player and remove (2) 7mm screw. (Figure A)
- 3 Unclip and remove entire trim panel surrounding CD player/cassette player and pocket door assembly. (Figure A)
- 4 Depress the clips on each side of the unit and slide straight out. (Figure B)





**88-00-3302**

**FINAL ASSEMBLY**

- 1** Reassemble in reverse order of disassembly using the 88-00-3302 instead of the factory CD player/cassette player.