



## Ford Mustang 2010-2014

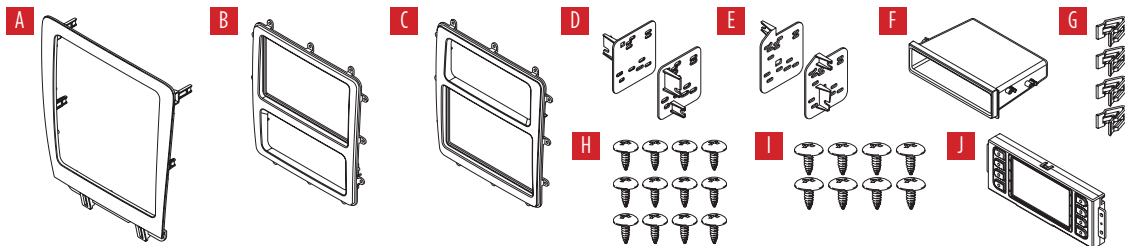
Visit [MetraOnline.com](http://MetraOnline.com) for more detailed information about the product and up-to-date vehicle specific applications

### KIT FEATURES

- ISO DIN radio provision with pocket
- ISO DDIN radio provision
- Touchscreen interface for climate and personalization features
- Painted charcoal with a matte black center

### KIT COMPONENTS

- A) Radio/Display trim panel
- B) Radio/Display sub-trim panel upper (a) • C) Radio/Display sub-trim panel lower (b)
- D) Radio brackets upper (a)
- E) Radio brackets lower (b) • F) Pocket
- G) (4) Panel clips
- H) (12) #6 x 3/8" Phillips pan-head screws
- I) (8) #8 x 3/8" Phillips truss-head screws
- J) Touchscreen display assembly and wiring harness
- K) Antenna adapter (not shown)



### TABLE OF CONTENTS

Dash Disassembly .....	2
Kit Preparation .....	3
Kit Assembly	
–ISO DIN radio provision with pocket .....	4
–ISO DDIN radio provision .....	5
Axxess Interface Installation .....	6-13
Final Assembly .....	10

### WIRING & ANTENNA CONNECTIONS

- Wiring Harness: Axxess interface built into touchscreen
- Antenna Adapter: Included with kit
- Steering wheel control interface: Included with kit

### TOOLS REQUIRED

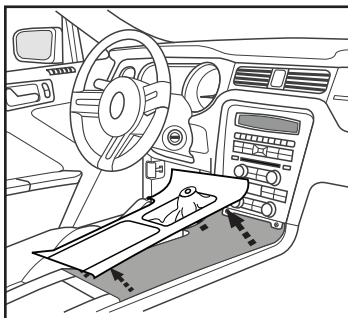
- Panel removal tool
- Phillips screwdriver
- 9/32" socket wrench

**Attention!** Let the vehicle sit with the key out of the ignition for a few minutes before removing the factory radio. When testing the aftermarket equipment, ensure that all factory equipment is connected before cycling the key to ignition.

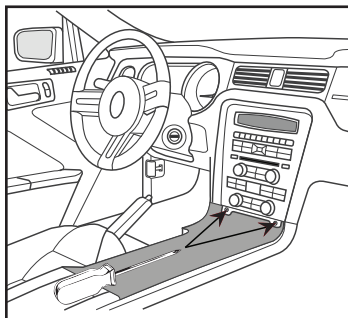
## DASH DISASSEMBLY

1. Unclip and remove the trim panel surrounding the shifter, including the cup holders. (Figure A)
2. Remove (2) 9/32" screws from the bottom of the radio/climate control panel, then unclip and remove the panel. (Figure B)
3. Remove (4) Phillips screws securing the radio chassis to the vehicle. Slide the chassis out, then unplug and remove. (Figure C)
4. Remove (4) Phillips screws securing the radio display to the vehicle. Slide the display out, then unplug and remove. (Figure D)

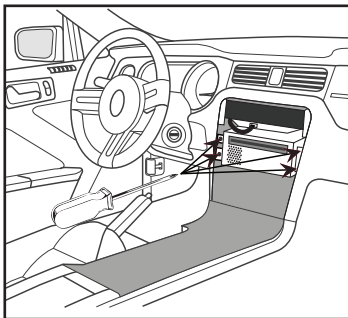
*Continue to Kit Preparation*



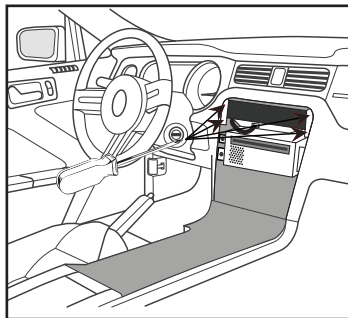
(Figure A)



(Figure B)



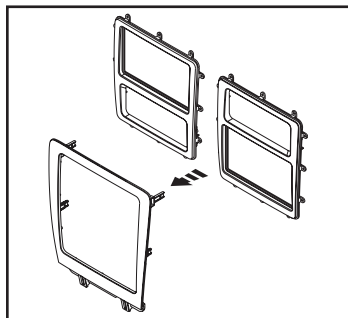
(Figure C)



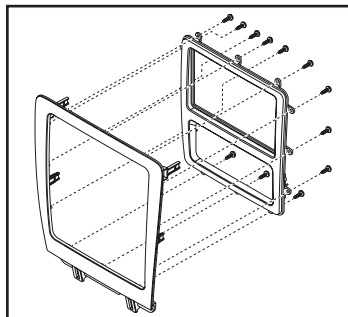
(Figure D)

## KIT PREPARATION

1. There are two different **radio/display sub-trim panels** to choose from. One for mounting the radio in the upper portion of the kit, and another one for mounting it in the lower portion. (Figure A)  
If mounting the radio in the upper portion, a factory module will need to be re-located:
  - a. Remove the module from the sub-dash and relocate it to the bottom of the dash opening. The mounting brackets attached to the module will need to be bent outward to make room for the radio.



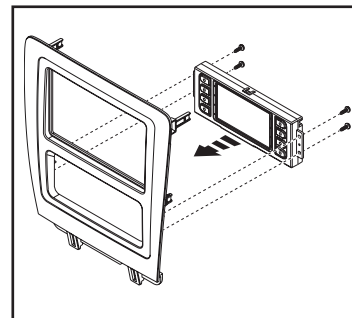
(Figure A)



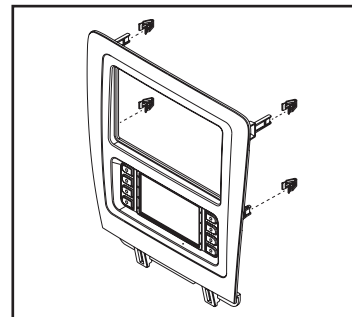
(Figure B)

2. Attach the desired **radio/display sub-trim panel** to the **radio/display panel** using the (12) #6 x 3/8" pan-head screws provided. (Figure B)
3. Attach the **touchscreen display assembly** to the **radio/display sub-panel** using the (4) #8 x 3/8" truss-head screws provided. (Figure C)
4. Attach the (4) **panel clips** provided to the **radio/display panel**. (Figure D)

*Continue to Kit Assembly*



(Figure C)



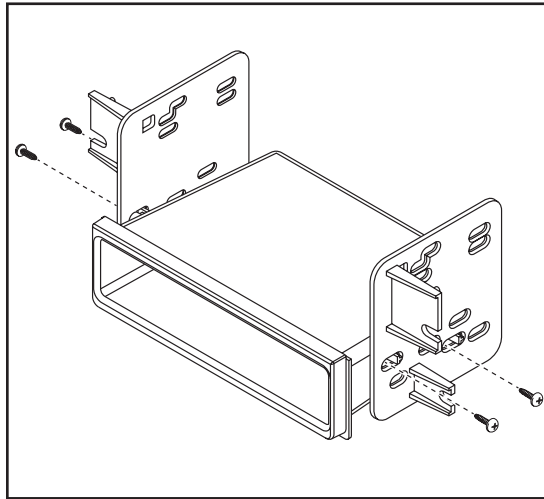
(Figure D)

## KIT ASSEMBLY

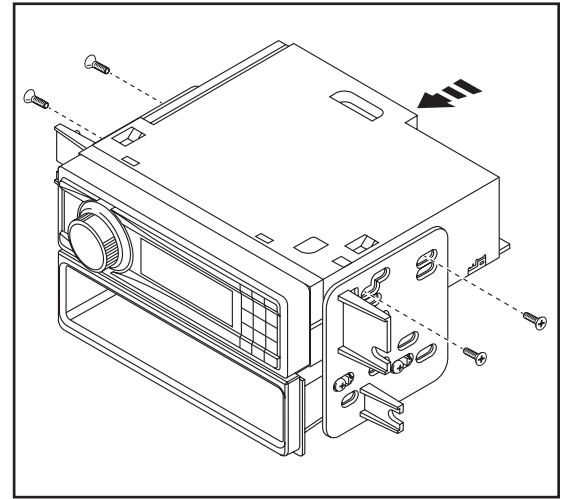
### ISO DIN radio provision with pocket

1. Attach the **pocket** to the appropriate **radio brackets** using the (4) #8 x 3/8" Phillips truss-head screws provided. (Figure A)
2. Remove the metal DIN sleeve and trim ring from the aftermarket radio.
3. Slide the radio into the bracket/pocket assembly, and then secure it using the screws supplied with the radio. (Figure B)

Continue to Axxess  
Interface Installation



(Figure A)



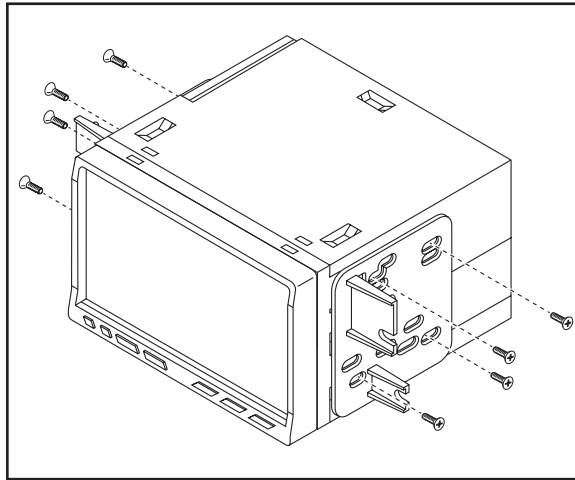
(Figure B)

## KIT ASSEMBLY

### ISO DDIN radio provision

1. Attach the appropriate **radio brackets** to the radio using the screws supplied with the radio. (Figure A)

*Continue to Axxess  
Interface Installation*



(Figure A)

# AXXESS INTERFACE INSTALLATION

## INTERFACE FEATURES

---

- Provides accessory power (12-volt 10-amp)
- Retains R.A.P. (retained accessory power)
- Provides NAV outputs (parking brake, reverse, speed sense)
- Retains audio controls on the steering wheel
- Retains SYNC
- Retains the factory AUX-IN jack
- Provides an aftermarket backup camera input
- Can be used in both amplified and non-amplified models
- Retains balance and fade
- Micro-B USB updatable

## INTERFACE COMPONENTS

---

- Axxess interface (built into the touchscreen display)
- 5839 harness
- 16-pin harness with stripped leads
- 4-pin harness with yellow RCA jacks
- Female 3.5mm jack with stripped leads

## TABLE OF CONTENTS

---

Connections.....	7-8
Installation.....	9
Programming.....	9
Extra features (SYNC).....	10
Touchscreen display operation.....	11-12
Steering wheel control settings.....	13-14
Troubleshooting.....	14

## TOOLS REQUIRED

---

- Crimping tool and connectors, or solder gun, solder, and heat shrink
- Tape • Wire cutter • Zip ties

## CONNECTIONS

### From the 16-pin harness with stripped leads to the aftermarket radio:

- Connect the **Red** wire to the accessory wire.
- If the vehicle is equipped with a Shaker/Shaker-Pro sound system or NAV, connect the **Blue/White** wire to the amp turn on wire. This wire must be connected to hear sound from the factory amplifier.
- If the aftermarket radio has an illumination wire, connect the **Orange/White** wire to it.
- If the aftermarket radio has a mute wire and the vehicle is equipped with SYNC, connect the **Brown** wire to it. If the mute wire is not connected, the radio will turn off when SYNC is activated.
- Connect the **Gray** wire to the right front positive speaker output.
- Connect the **Gray/Black** wire to the right front negative speaker output.
- Connect the **White** wire to the left front positive speaker output.
- Connect the **White/Black** wire to the left front negative speaker output.

*The following (3) wires are only for multimedia/navigation radios that require these wires.*

- Connect the **Blue/Pink** wire to the VSS/speed sense wire.
- Connect the **Green/Purple** wire to the reverse wire.
- Connect the **Light Green** wire to the parking brake wire
- Tape off and disregard the following (4) wires, they will not be used in this application: **Green, Green/Black, Purple, Purple/Black**

### From the 5839 harness to the aftermarket radio:

- Connect the **Black** wire to the ground wire.
- Connect the **Yellow** wire to the battery wire.
- Connect the **Blue** wire to the power antenna wire.
- If the vehicle is equipped with NAV, connect the **Blue/White** wire with a red connector to the amp turn on wire. This wire must be connected to hear sound from the factory amplifier.
- Connect the **Green** wire to the left rear positive speaker output.
- Connect the **Green/Black** wire to the left rear negative speaker output.
- Connect the **Purple** wire to the right rear positive speaker output.
- Connect the **Purple/Black** wire to the right rear negative output.
- **For models with SYNC:** Connect the **Red** and **White** RCA jacks labeled “RSE/SYNC/SAT”, to the audio AUX-IN jacks. Disregard the **Red** and **White** RCA jacks labeled “FROM 3.5”, they will not be used in this application.
- **For models without SYNC:** Connect the **Red** and **White** RCA jacks labeled “FROM 3.5”, to the audio AUX-IN jacks. Disregard the **Red** and **White** RCA jacks labeled “RSE/SYNC/SAT”, they will not be used in this application.
- Disregard the DIN jack, it will not be used in this application.

*Continued on the next page*

## For models *with* a Shaker system:

- Connect the **White** RCA jack labeled “SUBWOOFER”, to the subwoofer out jack.
- Disregard the **Red** RCA jack labeled “CENTER CHANNEL”, it will not be used in this application.
- Enable **Audio Output Attenuation** in **Configuration Settings** after the kit has been programmed.

## For models *with* a Shaker Pro system:

- Connect the **Red** RCA jack labeled “CENTER CHANNEL”, to the subwoofer out jack.
- Disregard the **White** RCA jack labeled “SUBWOOFER”, it will not be used in this application.
- Enable **Audio Output Attenuation** in **Configuration Settings** after the kit has been programmed.

## 4-pin harness with yellow RCA jacks:

This harness is to be used to add an aftermarket backup camera to the touchscreen display, if so desired.

- Connect the **Yellow** RCA jack labeled “Rearview camera”, to the RCA jack on the aftermarket backup camera.
- Disregard the **Yellow** RCA jack labeled “AUX video”, it will not be used in this application.

## 3.5mm jack - steering wheel control retention:

The 3.5mm jack is to be used to retain audio controls on the steering wheel control.

- **For the radios listed below:** Connect the **female 3.5mm connector with stripped leads**, to the male 3.5mm SWC jack from the **5839 harness**. Any remaining wires tape off and disregard.
  - **Eclipse:** Connect the steering wheel control wire, normally **Brown**, to the **Brown/White** wire of the connector. Then connect the remaining steering wheel control wire, normally **Brown/White**, to the **Brown** wire of the connector.
  - **Metra OE:** Connect the steering wheel control Key 1 wire (**Gray**) to the **Brown** wire.
  - **Kenwood or select JVC with a steering wheel control wire:** Connect the **Blue/Yellow** wire to the **Brown** wire.
 

**Note:** If your **Kenwood** radio auto detects as a **JVC**, manually set the radio type to **Kenwood**. See the instructions under changing radio type.
  - **XITE:** Connect the steering wheel control SWC-2 wire from the radio to the **Brown** wire.
  - **Parrot Asteroid Smart or Tablet:** Connect the 3.5mm jack into the AX-SWC-PARROT (sold separately), and then connect the 4-pin connector from the AX-SWC-PARROT into the radio.
 

**Note:** The radio must be updated to rev. 2.1.4 or higher software.
  - **Universal “2 or 3 wire” radio:** Connect the steering wheel control wire, referred to as Key-A or SWC-1, to the **Brown** wire of the connector. Then connect the remaining steering wheel control wire, referred to as Key-B or SWC-2, to the **Brown/White** wire of the connector. If the radio comes with a third wire for ground, disregard this wire.
 

**Note:** After the interface has been programmed to the vehicle, refer to the manual provided with the radio for assigning the SWC buttons. Contact the radio manufacturer for more information.
- **For all other radios:** Connect the 3.5mm jack into the port on the radio designated for an external steering wheel control interface. Refer to the manual provided with the radio if in doubt as to where the 3.5mm jack goes to.

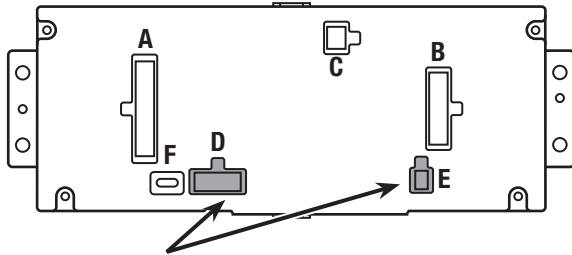


## INSTALLATION

It is highly advisable to read the following steps beforehand, to ensure a clear understanding of what is to be expected. The following steps must be done in the order that they are numbered.

### With the vehicle completely off:

1. Connect the **16-pin harness with stripped leads** into port “B” in the touchscreen display.
2. Connect the **5839 harness** to the wiring harnesses in the vehicle. These harnesses are the ones removed in step 3 of dash disassembly. Then insert the **5839 harness** into port “A” in the touchscreen display. But do not install this harness until exactly before step 1 from the **Programming** section. This is a timed process.
3. If installing a backup camera, and the image is desired to be displayed onto the touchscreen display, connect the **4-pin harness with yellow RCA jacks** into port “C” in the touchscreen display.
4. Disregard ports “D” and “E”, they will not be used in this application.
5. Port “F” is an update port for future firmware upgrades.
6. Locate the factory antenna connector in the dash and complete all necessary connections to the radio. Use the antenna adapter provided to adapt the factory antenna connector to the aftermarket radio.



**Note:** DO NOT CONNECT!

## PROGRAMMING

1. Refer to step 2 from the **Installation** section.
  2. Start the vehicle.
  3. Program the kit:
    - a. Once the touchscreen display loads up, select the vehicle type.
    - b. Wait until the radio comes on, and the touchscreen display shows **SWC Configured\***. This process may take up to 3 minutes.
- Note:** If the touchscreen display does not load up, or the radio doesn't come on within 3 minutes, and/or the touchscreen display does not show **SWC Configured\***, check all connections, then reset the interface and try again. Refer to the **Troubleshooting** section.
- \* For models with steering wheel controls.
4. Cycle the key off. If the driver's door is closed, open and close the door. Cycle the key back on.
  5. Test all functions of the installation for proper operation, before reassembling the dash.

## FINAL ASSEMBLY

1. Secure the completed assembly to the dash using the factory screws.
2. Reassemble the dash in reverse order of disassembly using the 99-5839CH radio display trim panel.

## EXTRA FEATURES

### **SYNC** (4.2-inch display screen models only):

If the vehicle is equipped with SYNC, the 99-5839CH can retain this feature.

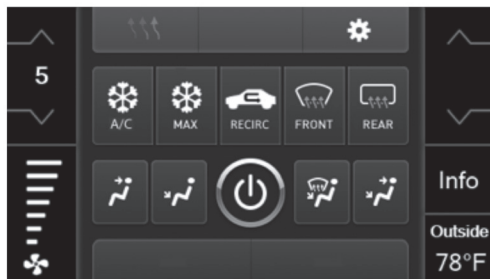
1. Change the source of the radio to AUX-IN.
2. Press the **Info** button on the touchscreen display to enter the SYNC menu. Press the climate control icon to get back to the main menu.

# TOUCHSCREEN DISPLAY OPERATION

## Climate Control screen



Automatic climate controls



Manual climate controls

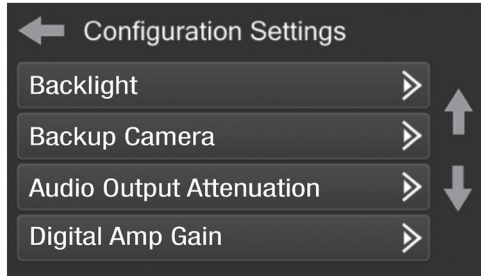
- This is the climate control screen which will be displayed on the touchscreen display. This is considered the main screen.
- The upper left tab with (3) arrows will take you to the **Heated/Cooled\*** seats screen, and the **Heated Steering\*** screen, if applicable.
- The upper right tab with the gear icon will take you to the **Configuration Settings** screen.
- **Auto climate models:** The climate controls will function in the same manner that they did with the factory climate controls.
- **Manual climate models:** The climate controls will function in the same manner that they did with the factory climate controls, yet via touchscreen buttons instead. The temperature control will display a numerical scale, with “LO” being the coldest, and “HI” being the hottest: LO / 1-9 / HI

**Note:** The “Info” button will only be shown if SYNC® is to be retained.

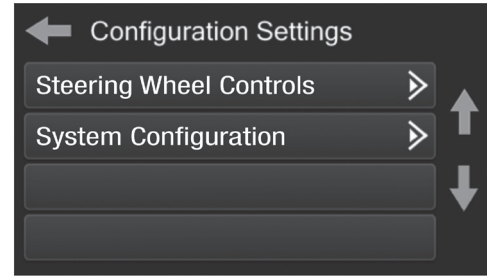
*Continued on the next page*

## TOUCHSCREEN DISPLAY OPERATION (CONT.)

### Configuration Settings



- **Backlight**
  - For controlling the color of the buttons and back-light intensity.
- **Backup Camera**
  - Enable/disables the backup camera image to the touchscreen display. Disabled by default.
- **Audio Output Attenuation**
  - Enables lowering the output of the interface for models equipped with a Shaker/Shaker Pro sound system. Disabled by default.
- **Digital Amp Gain**
  - For adjusting the output gain to the Shaker amplifier, if equipped



- **Steering Wheel Controls**
  - Remap Buttons – For remapping the steering wheel control buttons
  - Dual Assign – For dual assigning the steering wheel control buttons (long button press)
  - Select Radio – For auto detecting the radio, or changing the radio type
- **System Configuration**
  - About - Information regarding the software in the kit
  - Reset Vehicle Type - To reset the kit to default settings
  - Comfort Options Override - Enable/disables factory seat temperature options. Disabled by default.

## STEERING WHEEL CONTROL SETTINGS

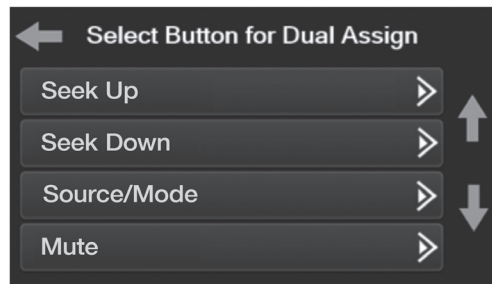
### Remap Buttons



- The interface has the ability to change the button assignment for the steering wheel control audio buttons, except Volume-Up and Volume-Down. Follow the prompts on the touchscreen display to remap the steering wheel control audio button(s) to your liking.

**Note:** The aftermarket radio may not have all of these commands. Please refer to the manual provided with the radio, or contact the radio manufacturer, for specific commands recognized by that particular radio.

### Dual Assign



- The interface has the capability to assign two functions to a single button, except Volume-Up and Volume-Down. Follow the prompts on the touchscreen display to program the button(s) to your liking.

**Note:** Seek-Up and Seek-Down come programmed as Preset-Up and Preset-Down for a long button press.

*Continued on the next page*

## STEERING WHEEL CONTROL SETTINGS (CONT.)

### Select Radio



- To show which brand radio is “auto detected” to the interface, press the “Autodetect” button. The radio detected will have a filled in circle. If the incorrect radio is shown, select the proper radio.
- Following is a list of radio manufacturers that the interface presently acknowledges. Others may be added at a later date. Universal “2 or 3 wire” radios can show up as any of these radio manufacturers.

Eclipse (Type 1) †	JVC	Clarion (Type 2) †	Parrot **
Kenwood ‡	Pioneer/Jensen	Metra OE	XITE
Clarion (Type 1) †	Alpine *	Eclipse (Type 2) †	Philips
Sony / Dual	Visteon	LG	JBL
	Valor		

\* **Note:** If the interface shows an Alpine radio, and you do not have an Alpine radio, that means the interface does not detect a radio connected it, i.e., an open connection. Verify that the 3.5mm jack is connected to the correct steering wheel jack/wire in the radio.

\*\* **Note:** The AX-SWC-PARROT is required (sold separately). Also, the Parrot radio must be updated to rev. 2.1.4 or higher through [www.parrot.com](http://www.parrot.com).

† **Note:** If you have a Clarion radio and the steering wheel controls do not work, change the radio type to the other Clarion radio type; same for Eclipse.

‡ **Note:** If you have a Kenwood radio and the touchscreen display shows a JVC radio, change the radio type to Kenwood.

## TROUBLESHOOTING

### Resetting the interface

1. With the vehicle running, press the **Reset Vehicle Type** button mentioned in **System Configuration**.
2. Refer to **Programming**, step 2, from this point.



Lined writing area on the left side of the page, consisting of 17 horizontal lines.

Lined writing area on the right side of the page, consisting of 17 horizontal lines.



**99-5839CH**  
INSTALLATION INSTRUCTIONS



If you are having difficulties with the installation of this product, contact our Tech Support line either by phone at **1-800-253-TECH**, or email at **techsupport@metra-autosound.com**. Before doing so, look over the instruction booklet a second time and ensure that the installation was performed exactly as the instruction booklet is stated. Have the vehicle apart and ready to perform troubleshooting steps before contacting Metra/Axxess Tech Support.



**KNOWLEDGE IS POWER**

Enhance your installation and fabrication skills by enrolling in the most recognized and respected mobile electronics school in our industry. Log onto [www.installerinstitute.com](http://www.installerinstitute.com) or call 800-354-6782 for more information and take steps toward a better tomorrow.



**Metra recommends MECP certified technicians**