

MSD INSTALLATION INSTRUCTIONS

MSD Wiring Harness For Programmable 7 to Power Grid PN 7789

ONLINE PRODUCT REGISTRATION: Register your MSD product online and you'll be entered in our monthly 8.5mm Super Conductor Spark Plug Wire give-away! Registering your product will help if there is ever a warranty issue with your product and helps the MSD R&D team create new products that you ask for! Go to www.msperformance.com/registration.

Parts Included:

1 - Wiring Harness	1 - Dark Green wire
1 - Light Green wire	

The Harness, PN 7789, allows a user to use their existing Programmable-7 Harness to install the Power Grid System with minimal changes. The harness is designed to be a direct plug-in for all existing wires, but will need two new wires run if the user desires the two new inputs of the Power Grid.

To connect the mag pickup, use the 3-pin to 2-pin converter that comes in the parts bag of the Power Grid System Controller, PN 7730.

In order to use the new input wires (the 4th and 5th retard step wires), the user will need to insert them into the existing harness on the vehicle. The new harness, PN 7789, has pins already prepared for these wires. Use the following steps to add these wires to the vehicles existing wiring harness.

1. Inside the front of the existing 12-pin Deutsch connector locate the green wedge-lock.
2. Using a small pick with a 90° bend on the tip, pull the wedge-lock out by hooking the pick inside the center hole.
3. Once the wedge-lock is removed locate the two white plugs on the back of the connector.
4. Pull the white plugs out of the Deutsch connector. Discard the plugs.
5. Insert the new input wires into the connector
 - a. The Dark Green wire will go in Pin 1, the outermost available opening.
 - b. The Light Green wire will go in Pin 2, the innermost available opening.
6. To be sure both wires are properly installed look in the front of the connector. The new pins must be at the same height in the connector as the original pins and the small grey retainers should not be held open.
7. When all pins are in correctly, push the wedge-lock back into place.

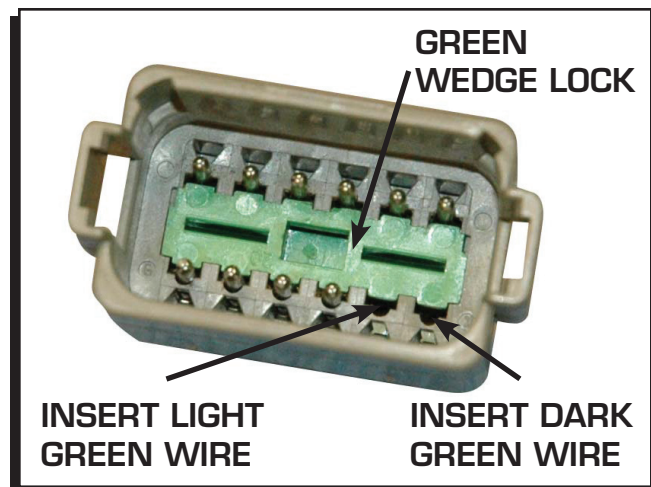


Figure 1 12-pin Deutsch Connector.

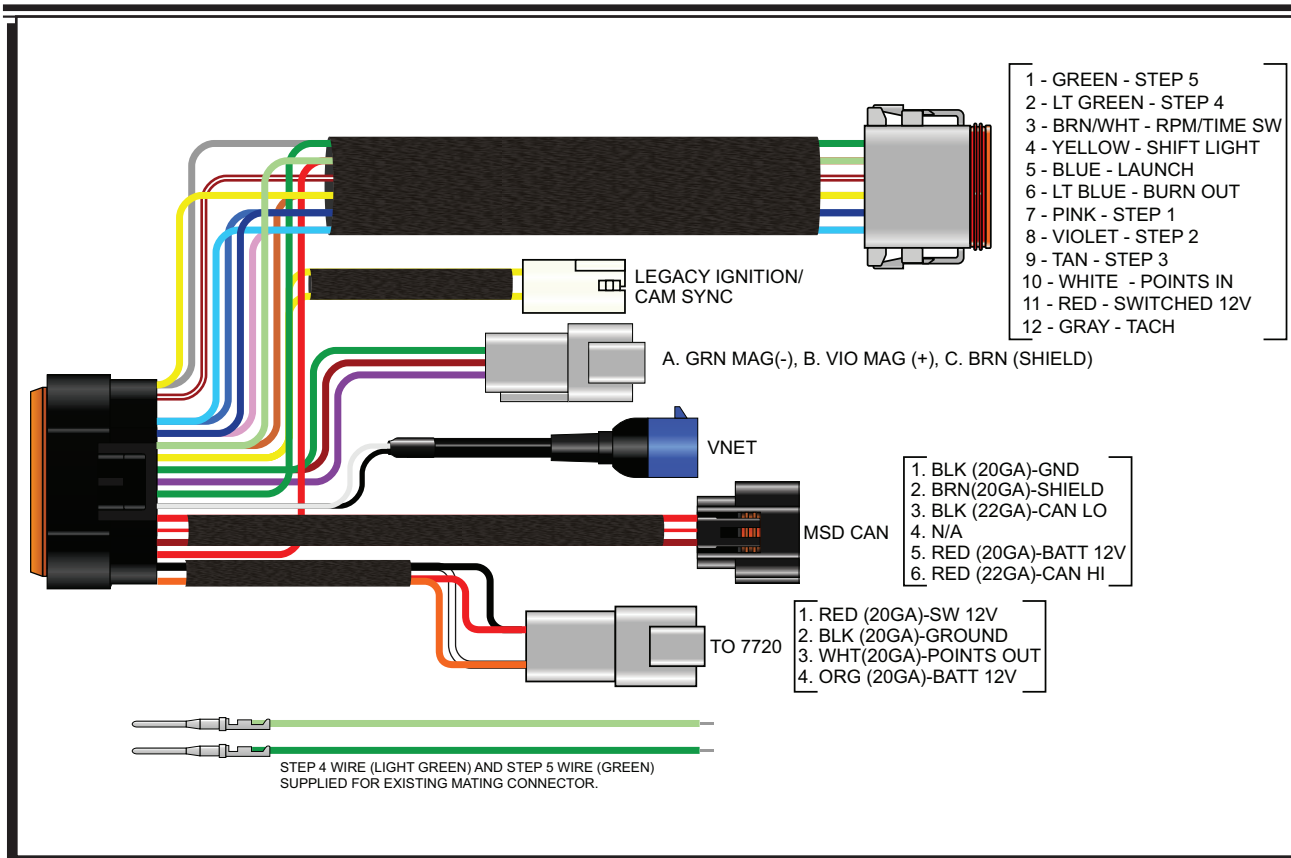


Figure 1 Wiring

Service

In case of malfunction, this MSD component will be repaired free of charge according to the terms of the warranty. When returning MSD components for warranty service, **Proof of Purchase** must be supplied for verification. After the warranty period has expired, repair service is based on a minimum and maximum fee.

All returns must have a Return Material Authorization (RMA) number issued to them before being returned. To obtain an RMA number please contact MSD Customer Service at 1 (888) MSD-7859 or visit our website at www.msdpower.com/rma to automatically obtain a number and shipping information.

When returning the unit for repair, leave all wires at the length in which you have them installed. Be sure to include a detailed account of any problems experienced, and what components and accessories are installed on the vehicle. The repaired unit will be returned as soon as possible using Ground shipping methods (ground shipping is covered by warranty). For more information, call MSD at (915) 855-7123. MSD technicians are available from 7:00 a.m. to 5:00 p.m. Monday - Friday (mountain time).

Limited Warranty

MSD warrants this product to be free from defects in material and workmanship under its intended normal use*, when properly installed and purchased from an authorized MSD dealer, for a period of one year from the date of the original purchase. This warranty is void for any products purchased through auction websites. If found to be defective as mentioned above, it will be repaired or replaced at the option of MSD. Any item that is covered under this warranty will be returned free of charge using Ground shipping methods.

This shall constitute the sole remedy of the purchaser and the sole liability of MSD. To the extent permitted by law, the foregoing is exclusive and in lieu of all other warranties or representation whether expressed or implied, including any implied warranty of merchantability or fitness. In no event shall MSD or its suppliers be liable for special or consequential damages.

*Intended normal use means that this item is being used as was originally intended and for the original application as sold by MSD. Any modifications to this item or if it is used on an application other than what MSD markets the product, the warranty will be void. It is the sole responsibility of the customer to determine that this item will work for the application they are intending. MSD will accept no liability for custom applications.