

SUPPLEMENTAL INSTALL SHEET

Toyota Tundra xx409T, xx410T, xx411T

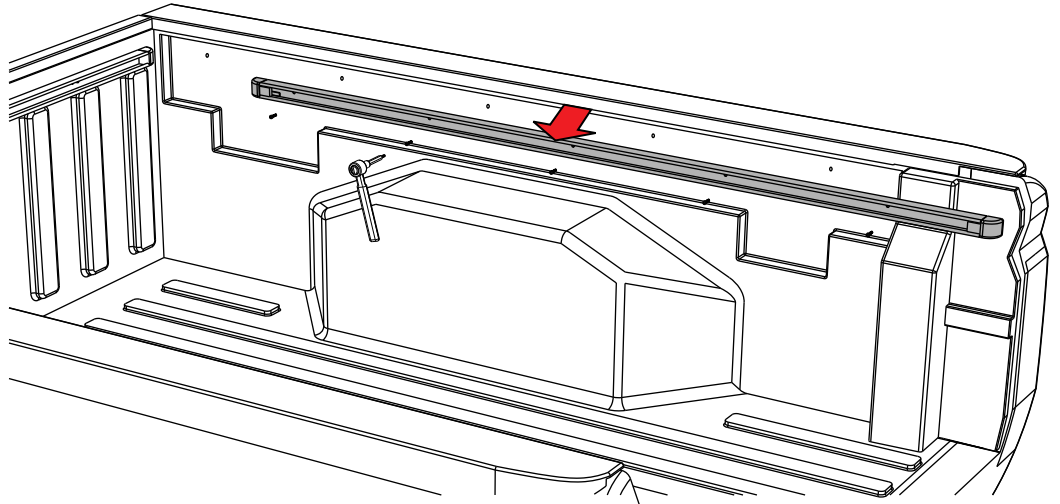


IMPORTANT: READ FIRST



1

Remove the Torx screws and the side factory accessory tracks. Set aside the tracks and the hardware for later reinstallation.



2

The tonneau adapter hardware includes:

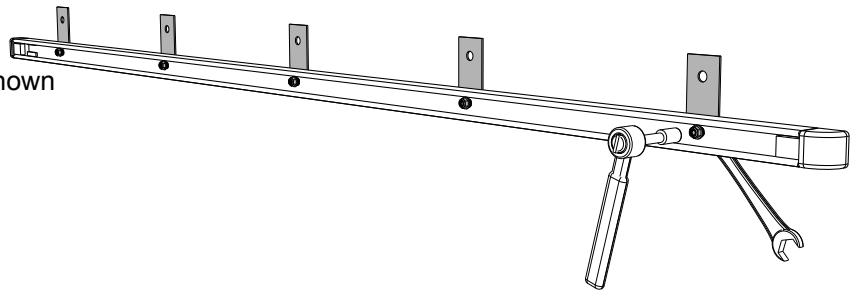
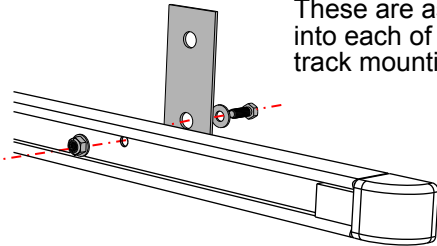
10 Adapter Brackets

10 Bolts

10 Washers and

10 Lock Nuts

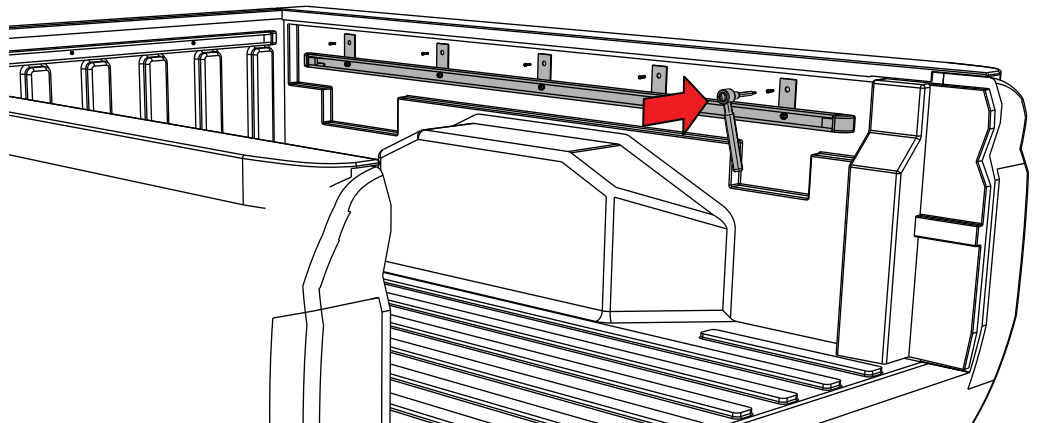
These are assembled as shown into each of the factory track mounting holes.



3

Reinstall the factory track with the tonneau Brackets using the original factory Torx screws into the original factory track system holes. Both sides of the bed.

Tighten all hardware.



Return to standard Installation Sheet, Step 1.