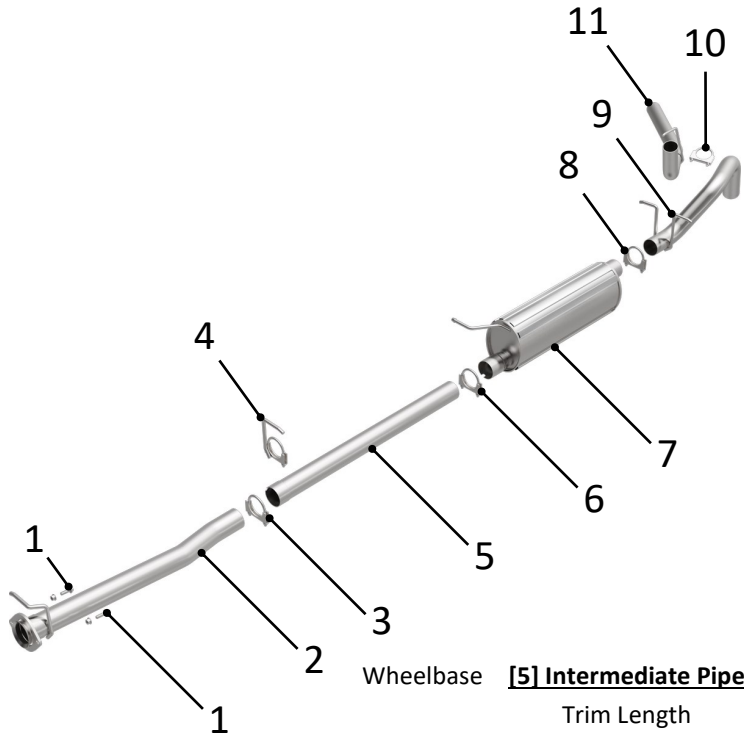


BRExhaust™

A **MAGNAFLOW GROUP** COMPANY

INSTALLATION INSTRUCTIONS | PART NO. 106-0692



Wheelbase [5] Intermediate Pipe

Trim Length

172.4"	No Trim
158"	15"
156.2"	16.75"
141.8"	30.5"
137"	Not Used

WARNING:

When working on, under, or around any vehicle exercise caution. Please allow the vehicle's exhaust system to cool before removal, as exhaust temperatures may cause severe burns. If working without a lift, always consult vehicle manual for correct lifting specifications. Always wear safety glasses and ensure a safe work area. Serious injury or death could occur if safety measures are not followed.

STEP 1:

(Carefully read all instructions before installation) Disconnect the vehicle's battery before removal of the OEM exhaust system. This will prevent electrical accidents and will reset the computer if it applies to the vehicle. Remove existing exhaust system from the vehicle. Only remove parts that will be replaced. Clean existing flange with a wire brush to ensure proper sealing.

STEP 2: Attach [2] **Inlet Pipe Assembly** to existing isolator and exhaust with supplied [1] **Hardware**.

STEP 3: Refer to inset cut and usage **Table** to determine if you will need to utilize the [5] **Intermediate Pipe**, if it will be required to be trimmed, and by what length you will need to trim it. Cut the [5] **Intermediate Pipe** measuring from the non-expanded outlet of the pipe if trimming is required. Attach the [5] **Intermediate Pipe** to existing isolator and [2] **Inlet Pipe Assembly** with supplied [3] **Clamp** and [4] **Hanger Clamp** if your vehicle's wheelbase requires it.

STEP 4: Attach [7] **Muffler Assembly** to existing isolator and, if utilized, the [5] **Intermediate Pipe** with supplied [6] **Clamp**. If the [5] **Intermediate Pipe** is not required then attach [7] **Muffler Assembly** to existing isolator and [2] **Inlet Pipe Assembly** with supplied [3] **Clamp**.

STEP 5: Attach [9] **Axle Over Pipe Assembly** to existing isolators and [7] **Muffler Assembly** with supplied [8] **Clamp**.

STEP 6: Attach [11] **Tail Pipe Assembly** to existing isolator and [9] **Axle Over Pipe Assembly** with supplied [10] **Clamp**.

STEP 7:

Ensure new exhaust is not contacting any portion of the underbody of the vehicle or drivetrain.

STEP 8:

Tighten all clamps starting from rear of the vehicle. **(DO NOT EXCEED 30FT-LB WHEN TIGHTENING CLAMP AND CHECK ALL CLAMPS AFTER 50 MILES. RETIGHTEN IF NECESSARY)**



BRExhaust recommends professional installation for all products

Technical Support: 1-800-631-7271

BRExhaust — 1901 Corporate Ctr, Oceanside, CA 92056

www.brexhaust.com