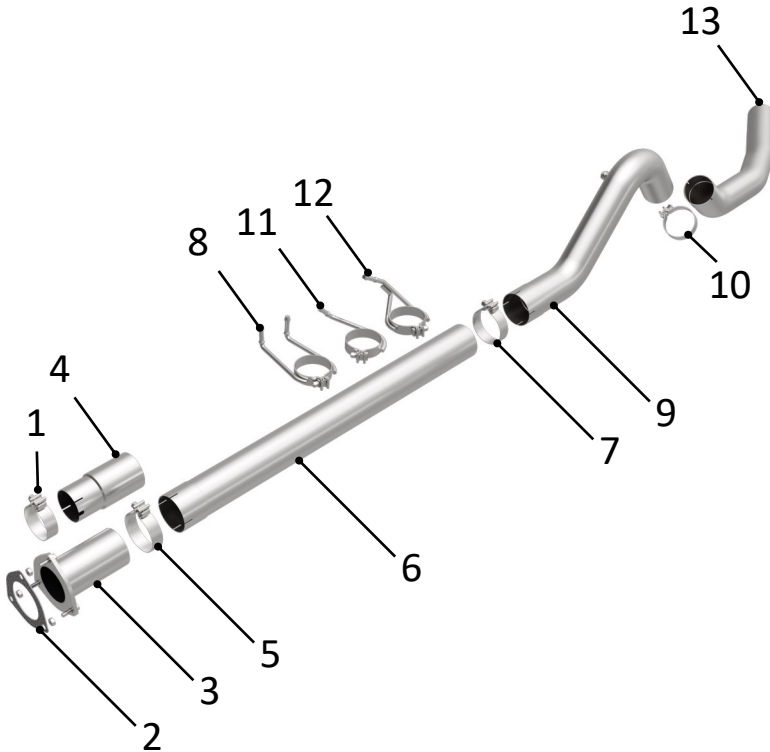


BRExhaust™

A **MAGNAFLOW** GROUP COMPANY

INSTALLATION INSTRUCTIONS | PART NO. 106-0748



STEP 1: (Carefully read all instructions before installation)
Disconnect the vehicle's battery before removal of the OEM exhaust system. This will prevent electrical accidents and will reset the computer if it applies to the vehicle. Remove existing exhaust system from the vehicle. Only remove parts that will be replaced. Clean existing flange with a wire brush to ensure proper sealing.

STEP 2:
You may need to cut **[3] Inlet Pipe Assembly** and, or **[6] Extension Pipe** depending on your vehicles year and configuration. Refer to the **Tables** on **Page 2** of this document.

STEP 3:
Attach appropriate **[3] Inlet Pipe Assembly** for 6.7L or **[4] Inlet Pipe Assembly** for 6.4L for your vehicle application to existing exhaust with supplied **[1] Clamp** or **[2] Hardware with Gasket**.

STEP 4:
Attach **[6] Extension Pipe** to **[3] Inlet Pipe Assembly** or **[4] Inlet Pipe Assembly** with supplied **[5] Clamp**.

STEP 5:
Attach **[9] Over Axle Pipe Assembly** to **[6] Extension Pipe** and **[8] Hanger Clamp** to existing isolators with supplied **[7] Clamp**.

STEP 6:
Attach **[13] Tail Pipe** to **[9] Over Axle Pipe Assembly** and appropriate pre 2017 **[11] Hanger Clamp** or 2017 and up **[12] Hanger Clamp** to existing isolators with supplied **[10] Clamp**.

STEP 7:
Ensure new exhaust is not contacting any portion of the underbody of the vehicle or drivetrain.

STEP 8: Tighten all clamps starting from rear of the vehicle. **(DO NOT EXCEED 30FT-LB WHEN TIGHTENING CLAMP AND CHECK ALL CLAMPS AFTER 50 MILES. RETIGHTEN IF NECESSARY)**

WARNING:

When working on, under, or around any vehicle exercise caution. Please allow the vehicle's exhaust system to cool before removal, as exhaust temperatures may cause severe burns. If working without a lift, always consult vehicle manual for correct lifting specifications. Always wear safety glasses and ensure a safe work area. Serious injury or death could occur if safety measures are not followed.



BRExhaust recommends professional installation for all products

Technical Support: 1-800-631-7271

BRExhaust — 1901 Corporate Ctr, Oceanside, CA 92056

BRExhaust™

A  MAGNAFLOW GROUP COMPANY

INSTALLATION INSTRUCTIONS | PART NO. 106-0748

2007.5 - 2010 6.4L		
W/BASE	CONFIG	[6] PIPE
172.4"	CC/LB	NO CUT
156.2"	CC/SB	CUT 26.3"
158.0"	EC/LB	CUT 28.1"
141.8"	EC/SB	CUT 11.9"
137.0"	SC/LB	CUT 7.1"

2011 - 2017 6.7L			
W/BASE	CONFIG	[6] PIPE	[3] INLET
176.0"	CC/LB	CUT 11.5"	NO CUT
159.8"	CC/SB	CUT 26.5"	NO CUT
164.2"	EC/LB	CUT 30.5"	NO CUT
148.0"	EC/SB	NOT USED	NO CUT
141.6"	SC/LB	NOT USED	CUT 3.5"

WARNING:

When working on, under, or around any vehicle exercise caution. Please allow the vehicle's exhaust system to cool before removal, as exhaust temperatures may cause severe burns. If working without a lift, always consult vehicle manual for correct lifting specifications. Always wear safety glasses and ensure a safe work area. Serious injury or death could occur if safety measures are not followed.



BRExhaust recommends professional installation for all products

Technical Support: 1-800-631-7271

BRExhaust — 1901 Corporate Ctr, Oceanside, CA 92056