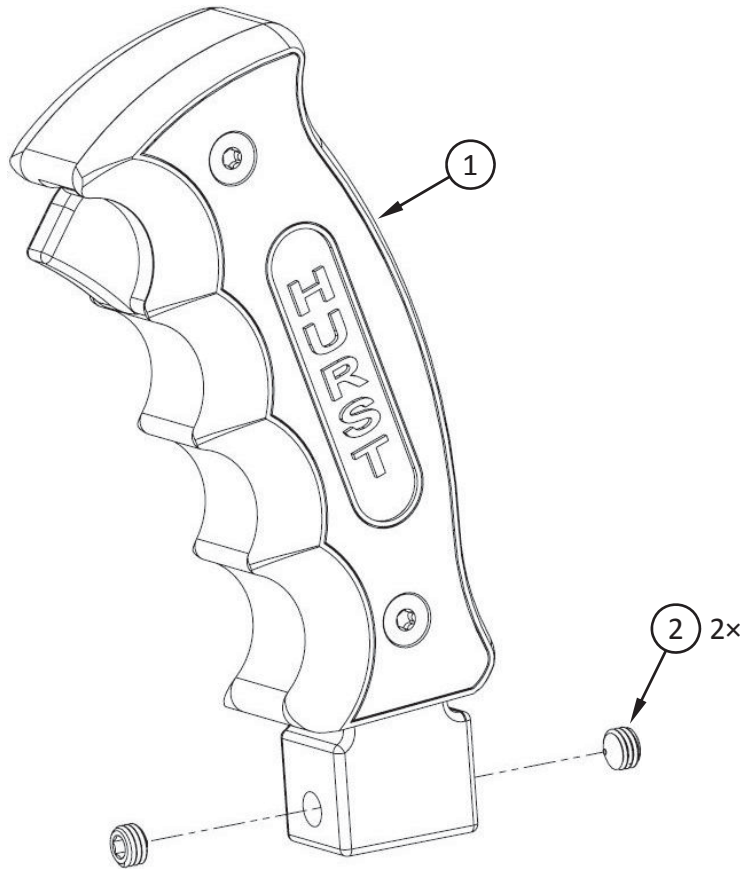




INSTALLATION INSTRUCTIONS FOR
5380441
BILLET/PLUS® PISTOL-GRIP SHIFTER HANDLE
for 2014-2018 CHEVROLET CORVETTE
with AUTOMATIC TRANSMISSION



ITEM NO.	PART NO.	DESCRIPTION	QTY.
1	N/A (SHIPS ASSEMBLED)	PISTOL-GRIP SHIFTER HANDLE	1
N/A	2380441	• BODY, BILLET PLUS AUTO HANDLE, CORVETTE	1
	3350431	• TRIGGER, UPPER, NITRO AUTO	1
	2030431	• TRIGGER, LOWER, NITRO AUTO	1
	1301002	• COVER, INNER, NITRO AUTO	1
	97003153	• SCREW, TORX, 8-32 × 1/4" L	3
	4048658	• GRIP PLATE, PISTOL AUTO, LEFT *BLACKWOOD*	1
	4048659	• GRIP PLATE, PISTOL AUTO, RIGHT *BLACKWOOD*	1
	97003154	• SCREW, TORX, 8-32 × 1/2" L	2
2	3401544	SET SCREW, CONE POINT, 1/4-28 × 3/16" L	2
N/A	5000116	CABLE TIE, 6" (NOT SHOWN)	1

REVIEW THE INSTRUCTIONS AND VERIFY THE KIT CONTENTS

1. Take a moment to read and understand these instructions before installing your Hurst Billet/Plus® shifter.

NOTES

- Installation of this kit requires permanent modification of some stock parts.
 - If you are unsure whether or not you can install this kit yourself, seek the assistance of a qualified technician.
 - We highly recommend that you retain all factory parts.
2. Use the parts drawing and list (front page) to verify your kit's contents. In the unlikely event that any parts are missing, please contact Hurst Technical Support for replacements.

REMOVE THE STOCK SHIFTER

CAUTION

WORK SAFELY! Turn off the ignition, and set the parking brake to prevent the vehicle from rolling during manipulation of the gearshift.



3. Use a trim removal tool to separate the shift boot bezel from the center console.



4. Carefully feel through the boot, and lift the bezel out of the center console.



5. At the front driver side of the bezel, disconnect the electrical plug.



6. Remove the assembled shift knob and boot off of the shift lever.



7. Release the two clips on the boot collar to disassemble the shift knob from the collar.



8. Carefully pull the collar off the inside of the shift boot. **NOTE: The parts are glued together. Work carefully to avoid tearing the boot.**

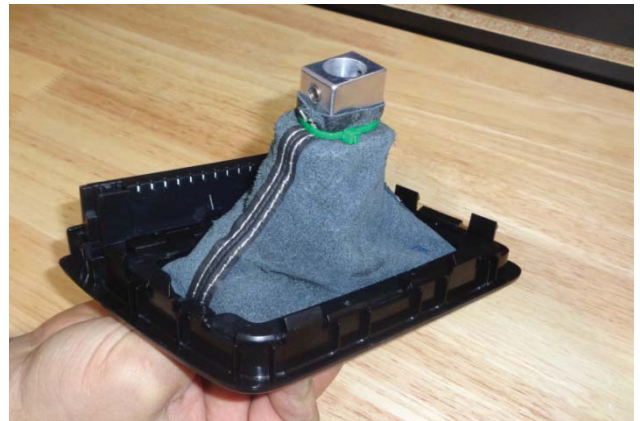
INSTALL YOUR HURST BILLET/PLUS® PISTOL-GRIP SHIFTER HANDLE



9. Install the set screws (2) in the base of the shifter handle (1). Turn the screws in until they are flush with the surface. Also, note the boot grooves on the front and rear of the handle.



10. Insert the base of the shifter handle through the boot opening, with the finger grooves pointing toward the front of the boot.



11. Use the cable tie to fasten the boot to the shifter handle at the boot groove, and trim off the excess cable tie. Back the set screws out so that they do not interfere with the shift lever in the next step.



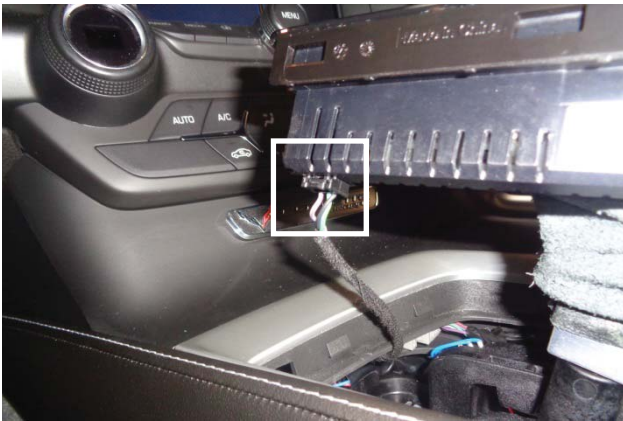
12. Slip the assembled handle and boot over the shift lever.



13. Tighten the set screws. (Pull the shifter back to reach the front screw, if required.)



Congratulations, the installation of your Hurst Billet/Plus Pistol Grip Shifter is now complete!



14. Connect the electrical plug to the bezel.

IMPORTANT: RETAIN THESE INSTRUCTIONS FOR FUTURE REFERENCE

Hurst Technical Service: (707) 544-4761

Hurst Shifters maintains a highly-trained technical service department to answer your technical questions, provide additional product information and offer various recommendations.

Direct all correspondence and warranty questions to:

Hurst Shifters
100 Stony Point Rd.
Suite 125
Santa Rosa, CA 95401



15. Snap the bezel back into the center console.

