

# MSD INSTALLATION INSTRUCTIONS

## MSD Digital Shift Light with Adjustable Intensity PN 7542

**ONLINE PRODUCT REGISTRATION:** Register your MSD product online and you'll be entered in our monthly 8.5mm Super Conductor Spark Plug Wire give-away! Registering your product will help if there is ever a warranty issue with your product and helps the MSD R&D team create new products that you ask for! Go to [www.msperformance.com/registration](http://www.msperformance.com/registration).

### Parts included in this Kit:

1 - Shift Light

1 - Mounting Bracket

1 - Parts Bag

**WARNING:** During installation, disconnect the battery cables. When disconnecting the battery, always remove the Negative cable first and install it last.

This MSD Shift Light features two switches that allow the driver to control the LEDs' intensity. This unit is designed to be used with MSD's Programmable Series of Ignition Controls. It can also be used in conjunction with an RPM Activated Switch (such as MSD's PN 8950 or PN 8956).

### WIRING

|               |  |
|---------------|--|
| <b>Red</b>    | Connects to a switched 12 volts.   |
| <b>Yellow</b> | Activation wire. Connects to the Yellow wire of a Programmable Ignition or RPM Activated Switch. |
| <b>Black</b>  | Connects to ground.  |

### PROGRAMMING

To change the intensity of the LEDs, turn the ignition On. Press either of the two buttons until the LEDs light on. Then, press or press and hold the + or - button to adjust the LEDs accordingly. When adjusted to your requirements, simply release the button and in two seconds the light will turn off and is programmed.

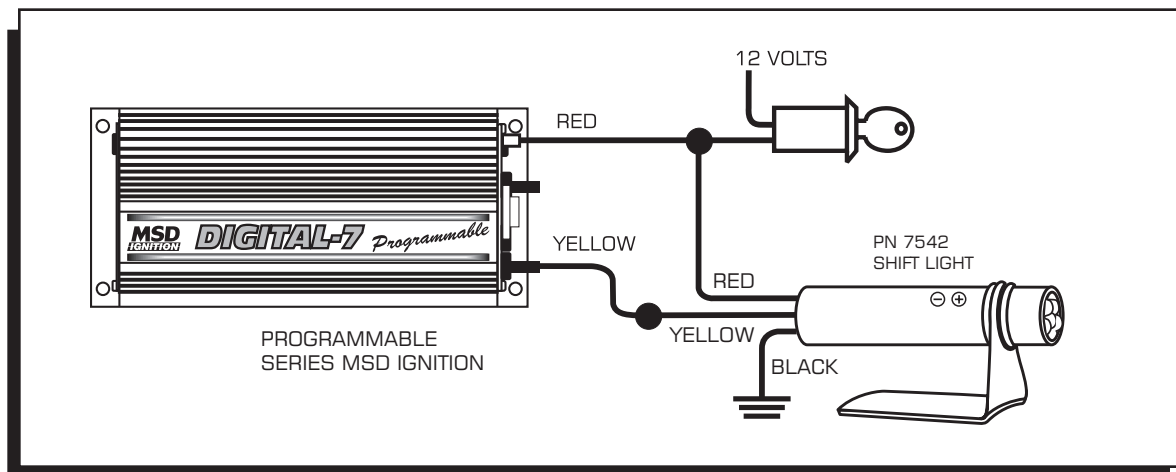


Figure 1 Connecting to a Programmable Ignition.

# MSD INSTALLATION INSTRUCTIONS

## CONVENTIONAL IGNITIONS

The PN 7542 can also be used with a conventional or performance ignition system, though an RPM Activated Switch, such as MSD's PN 8950, is required to drive the Light (Figure 2).

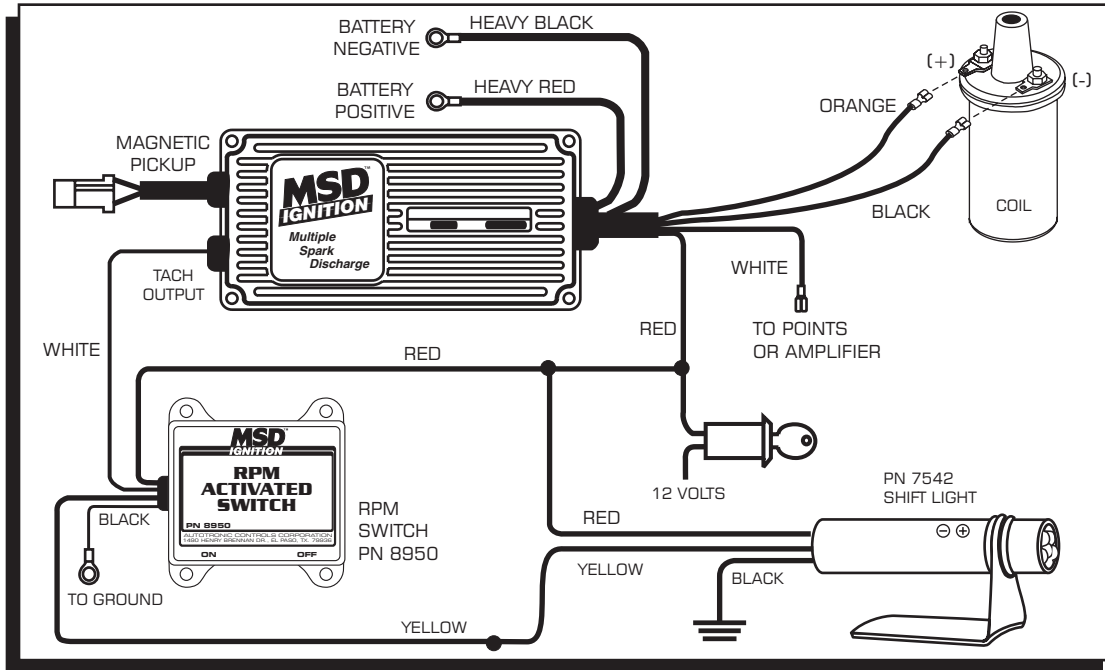


Figure 2 Connecting with an RPM Activated Switch.

### Service

In case of malfunction, this MSD component will be repaired free of charge according to the terms of the warranty. When returning MSD components for warranty service, **Proof of Purchase** must be supplied for verification. After the warranty period has expired, repair service is based on a minimum and maximum fee.

**All returns must have a Return Material Authorization (RMA) number** issued to them before being returned. To obtain an RMA number please contact MSD Customer Service at 1 (888) MSD-7859 or visit our website at [www.msdpower.com/rma](http://www.msdpower.com/rma) to automatically obtain a number and shipping information.

When returning the unit for repair, leave all wires at the length in which you have them installed. Be sure to include a detailed account of any problems experienced, and what components and accessories are installed on the vehicle. The repaired unit will be returned as soon as possible using Ground shipping methods (ground shipping is covered by warranty). For more information, call MSD at (915) 855-7123. MSD technicians are available from 7:00 a.m. to 5:00 p.m. Monday - Friday (mountain time).

### Limited Warranty

MSD warrants this product to be free from defects in material and workmanship under its intended normal use\*, when properly installed and purchased from an authorized MSD dealer, for a period of one year from the date of the original purchase. This warranty is void for any products purchased through auction websites. If found to be defective as mentioned above, it will be repaired or replaced at the option of MSD. Any item that is covered under this warranty will be returned free of charge using Ground shipping methods.

This shall constitute the sole remedy of the purchaser and the sole liability of MSD. To the extent permitted by law, the foregoing is exclusive and in lieu of all other warranties or representation whether expressed or implied, including any implied warranty of merchantability or fitness. In no event shall MSD or its suppliers be liable for special or consequential damages.

\*Intended normal use means that this item is being used as was originally intended and for the original application as sold by MSD. Any modifications to this item or if it is used on an application other than what MSD markets the product, the warranty will be void. It is the sole responsibility of the customer to determine that this item will work for the application they are intending. MSD will accept no liability for custom applications.