



**GET 'EM  
IN YOUR HEAD!**







## CONTENTS

Contents	IFC
Summary of Advantages	3
Features and Benefits	4
Material Properties of Electrodes	4
Frequently Asked Questions	5
Proper Installation	6-7
Recommended Torque Specifications	8
Engine Size Conversion Chart	9
Quick Reference Plug Failure Guide	9
MSD Short Style Plugs	10
Ford Engine One-Piece Plug	10
MSD Spark Plug Specifications	11-12
Application Guide	13 - 163
Acura	13
Alfa Romero	13
AmericanMotors	13
AM General	15
Aston Martin	15
Asuna	15
Audi	15
Austin	18
Bentley	18
Bertone	18
BMW	18
Bugatti	21
Buick	21
Cadillac	25
Checker	26
Chevrolet	27
Chrysler	50
Citroen	53
Daewoo	53
Daihatsu	53
Delorean	53
Dodge	53
Eagle	66
Excalibur	66
Ferrari	66
Fiat	67
Ford	67
Freightliner	87
Geo	87
GMC	87
Honda	101
Hummer	102
Hyundai	102
Infiniti	103
International	104
Isuzu	105
Jaguar	107
Jeep	107
Jensen	110
Kia	110
Lada	111
Lamborghini	111
Lancia	111
Land Rover	111
Lexus	112
Lincoln	113
Lotus	114
Maserati	114
Maybach	114
Mazda	115

Mercedes-Benz	117
Mercury	121
Merkur	126
MG	126
Mini	126
Mitsubishi	126
Morgan	128
Morris	128
Nissan	128
Oldsmobile	131
Opel	135
Panoz	135
Peugeot	135
Plymouth	135
Pontiac	141
Porsche	147
Ram	148
Renault	148
Rolls Royce	148
Rover	149
Saab	149
Saturn	150
Scion	151
Smart	151
Sterling	151
Subaru	151
Suzuki	153
Toyota	154
Triumph	157
Volkswagen	157
Volvo	161
Yugo	163

### MSD Cross Reference

NGK	164
Autolite	165
Champion	165
Denso	165

### Aftermarket Cylinder Head Cross Reference

MSD Part Number Styles	167
Troubleshooting	168
Packaged Weights and Dimensions	169

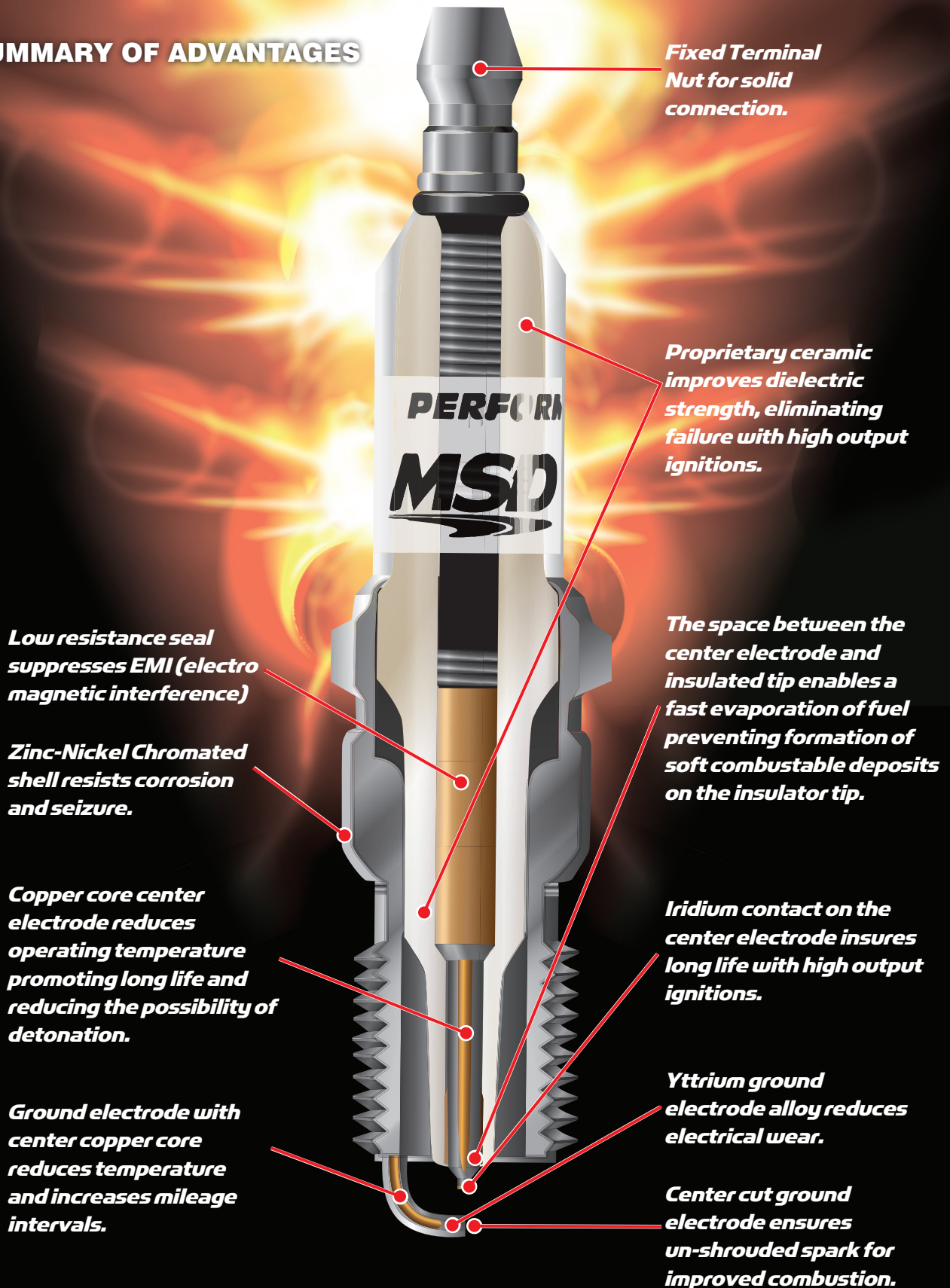
### LIMITED WARRANTY

MSD warrants this product to be free from defects in material and workmanship under its intended normal use\*, when properly installed and purchased from an authorized MSD dealer, for a period of one year from the date of the original purchase. This warranty is void for any products purchased through auction websites. If found to be defective as mentioned above, it will be replaced at the option of MSD. Any item that is covered under this warranty will be returned free of charge using Ground shipping methods.

This shall constitute the sole remedy of the purchaser and the sole liability of MSD. To the extent permitted by law, the foregoing is exclusive and in lieu of all other warranties or representation whether expressed or implied, including any implied warranty of merchantability or fitness. In no event shall MSD or its suppliers be liable for special or consequential damages.

\*Intended normal use means that this item is being used as was originally intended and for the original application as sold by MSD. Any modifications to this item or if it is used on an application other than what MSD markets the product, the warranty will be void. It is the sole responsibility of the customer to determine that this item will work for the application they are intending. MSD will accept no liability for custom applications.

## SUMMARY OF ADVANTAGES



*Fixed Terminal Nut for solid connection.*

*Proprietary ceramic improves dielectric strength, eliminating failure with high output ignitions.*

*Low resistance seal suppresses EMI (electro magnetic interference)*

*Zinc-Nickel Chromated shell resists corrosion and seizure.*

*Copper core center electrode reduces operating temperature promoting long life and reducing the possibility of detonation.*

*Ground electrode with center copper core reduces temperature and increases mileage intervals.*

*The space between the center electrode and insulated tip enables a fast evaporation of fuel preventing formation of soft combustible deposits on the insulator tip.*

*Iridium contact on the center electrode insures long life with high output ignitions.*

*Ytrium ground electrode alloy reduces electrical wear.*

*Center cut ground electrode ensures un-shrouded spark for improved combustion.*

## MSD SPARK PLUG'S FEATURES AND BENEFITS

1. MSD's proprietary ceramic formula provides the highest dielectric strength
2. Unique insulator design improves spark isolation
3. Yttrium Copper Core Ground Electrode reduces the chance of pre-ignition due to lower temperatures
4. Machined Electrode increases exposure to the flame to improve combustion
5. 1mm Iridium tip optimized for longer life and high power ignition systems and improved cold starts
6. Designed to outlast other performance plugs on the track or on the street
7. Engineered to improve comprehensive driveability and economy
8. Superior design for high performance engines
9. External surface Zn/Ni coating increases protection against corrosion and seizure
10. Iridium - 40% higher melting point than nickel plugs (Figure 1).
11. Lower voltage Requirements for longer coil life (Figure 2).

## MATERIAL PROPERTIES OF ELECTRODES

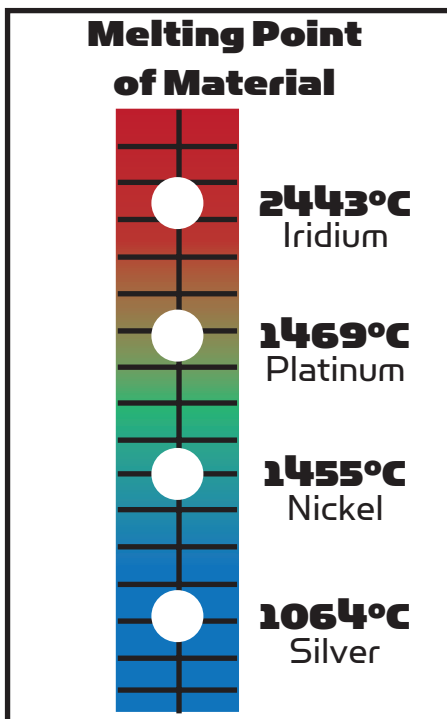


Figure 1

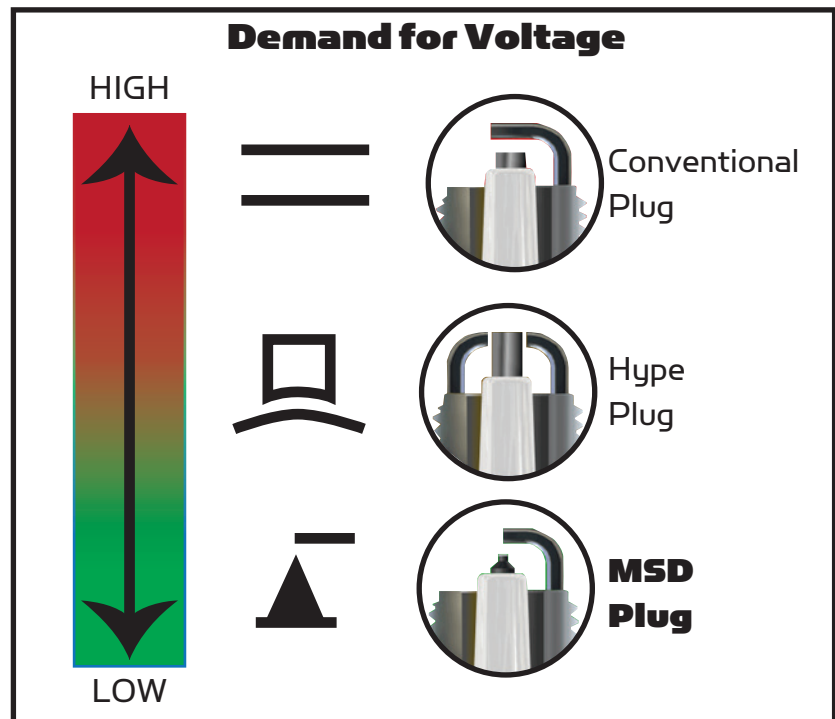


Figure 2



## **SPARK PLUG FREQUENTLY ASKED QUESTIONS**

**Q. *Why should I use MSD spark plugs?***

**A.** MSD spark plugs are of the highest quality and will insure long plug life and optimal performance in your high performance car. MSD sparkplugs are durable enough to withstand the rigors of performance operation using high output ignitions.

**Q. *Why is spark plug heat range important?***

**A.** Heat range is important because too hot of a heat range can create engine damaging pre ignition. Too cold of a heat range will allow deposits to build on the spark plug (Fouling) creating inconsistent ignition.

**Q. *Why do spark plug replacement intervals vary from application to application?***

**A.** Application with higher cylinder pressure (Severe Duty) will require more frequent replacement due to higher voltage requirement causing more repaid wear. Older engines will also require more frequent replacement due to more rapid deposit buildup on the spark plug.

**Q. *How do I know when to replace my spark plugs?***

**A.** Replace at your car manufacturers recommended intervals. If used in a severe duty application spark plugs should be periodically inspected and replaced when electrode wear becomes apparent

**Q. *What Spark Plug Gap Should I run?***

**A.** Generally you want to run the spark plug gap recommended by the factory. If using a high output ignition gaps can be increased .010 - .015 over recommended factory settings. If you are running a supercharges or nitrous injected engine you should reduce your spark plug gap to insure that the spark is able to jump the gap with higher cylinder pressure. In non-stock applications some experimentation may be required to find the optimum spark plug gap.

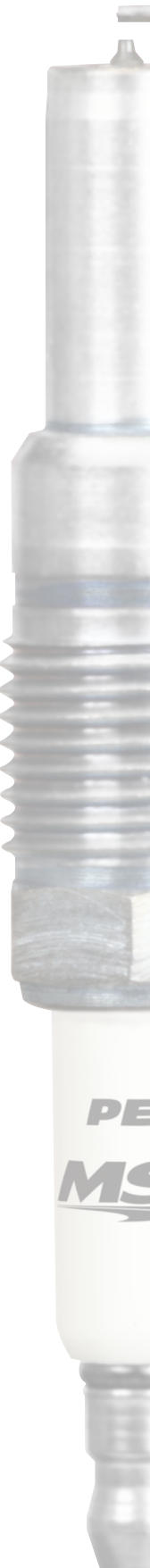
**Q. *Why should I use more expensive Iridium spark plugs?***

**A.** Long life. Iridium spark plugs can last several times longer than their copper core counterparts.

**Q. *Do multi electrode spark plugs produce a hotter spark than single electrode varieties?***

**A.** NO! A spark will only jump to the electrode requiring the lowest voltage to ionize the gap. The spark will only jump to one electrode at a time.

***For more information call MSD at (915) 855-7123 or  
email at [MSDtech@msdperformance.com](mailto:MSDtech@msdperformance.com)***



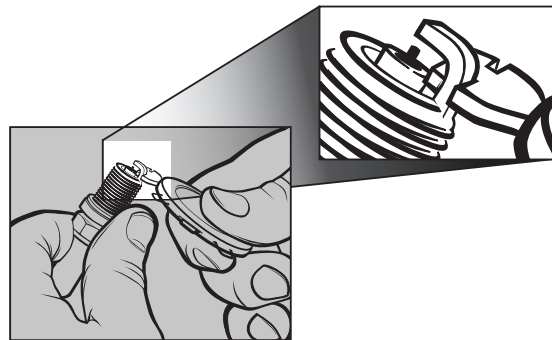
## PROPER INSTALLATION OF SPARK PLUGS

Proper procedures must be followed to ensure the best results. While you should always use the vehicle manufacturer's service procedures, which may include removal of certain engine components to access the spark plugs, here is a basic a step-by- step guide.

1. Make sure that the engine is cool before beginning the removal of spark plugs.
2. Carefully remove the spark-plug boots. Grasp the boot, twist until you feel the boots comes loose from the plug, and then lift it straight off. If the boot does not break free easily, use a spark-plug boot puller. As you remove the boots and ignition wires, number them using tape and a marker.
3. Clean the area around the spark plugs using a blast of compressed air. This prevents debris from falling into the combustion chamber when the old spark plugs are removed.
4. Loosen each spark plug using the correct size hex-head socket wrench.
5. Remove the spark plugs and line them up in cylinder order, this is for inspection of the spark plugs to identify any engine problems that may need attention. (Refer to "Troubleshooting" section.)
6. As Iridium tip plugs were released, installers used incorrect gap tools and procedures resulting in broken or damage center electrodes. As a result, many installers assumed that one cannot adjust the gap on iridium tip plugs. While the MSD spark plugs are pre-gapped and do not require gapping, there are instances where the gap requires modification. MSD recommends a wire-style or feeler gauge gap tool, (Fig 1) which can adjust the gap without prying against the center electrode, (Figure 2). MSD also recommends adjusting the gap no more than  $\pm 0.008$ " from the preset gap.



**FIGURE 1: FEELER GAUGE GAP TOOL**



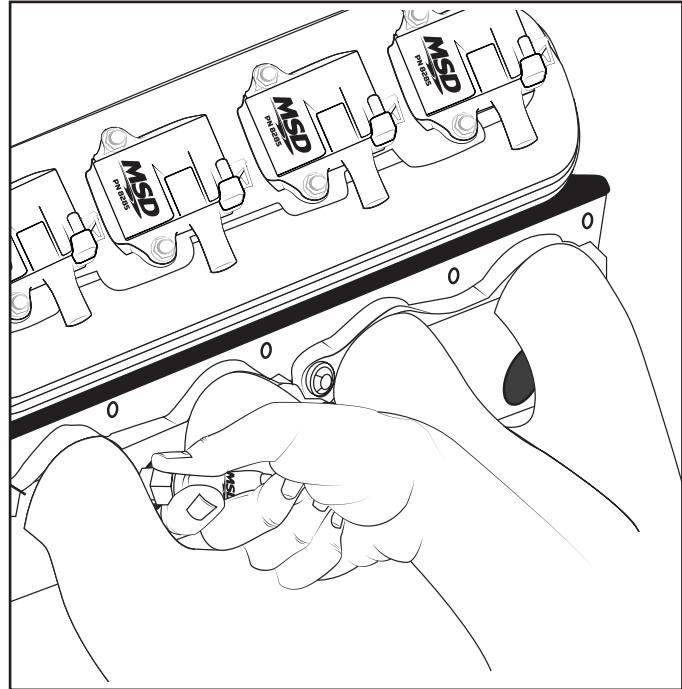
**FIGURE 2: PROPER METHOD OF GAPPING MSD PLUGS**

**Note:** Do not use any anti-seize on the spark plug threads since this may result in over-torqueing. MSD plugs are manufactured with a special Zinc-Chomated plating to prevent corrosion and seizure to the cylinder head.

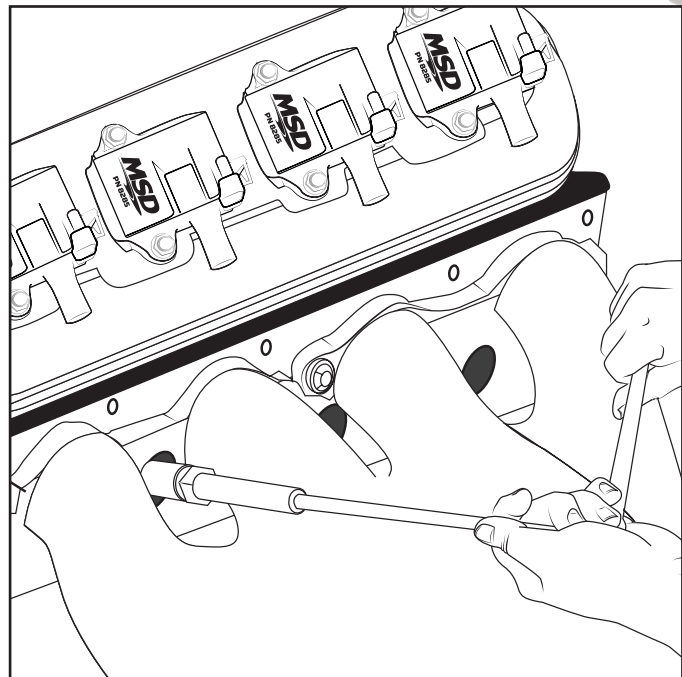
**(Disclaimer to Plug Gap, refer to manufacture specifications.)**



- 7.** Screw the new spark plugs in by hand until just finger tight (Figure 1). If it is difficult to reach the spark plug socket, use a length of rubber hose to extend your reach.
- 8.** Tighten the spark plugs using a torque wrench and following the vehicle manufacturer's recommendations (Figure 2). If you do not have a torque wrench, use the tightening chart (Page 9).
- 9.** Before replacing the ignition wires and spark-plug boots, check them for any cracks or brittleness, or obvious signs of corrosion or wear. Replace the entire set if you detect any of the above defects.
- 10.** Place a small amount of dielectric grease inside the spark-plug boot where it connects to the spark-plug barrel. This will help ensure a tight, moisture resistant seal and help resist flashover.
- 11.** Replace the spark-plug wires in the correct order, following your marks. Make sure that the ignition wires are routed correctly and will not come into contact with hot engine components.
- 12.** Start the engine. If the engine misfires or idles badly, shut it off and double-check that the ignition wires are not crossed or connected poorly. Check the firing order and all the connections carefully.



**Figure 1 Finger Tighten New Spark Plug.**



**Figure 2 Tighten the New Spark Plug using Torque Wrench.**

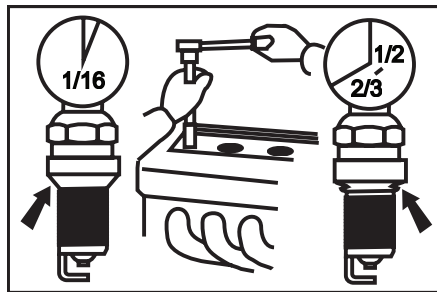
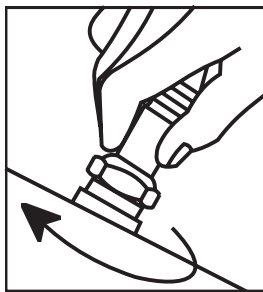


## RECOMMENDED TORQUE SPECIFICATIONS

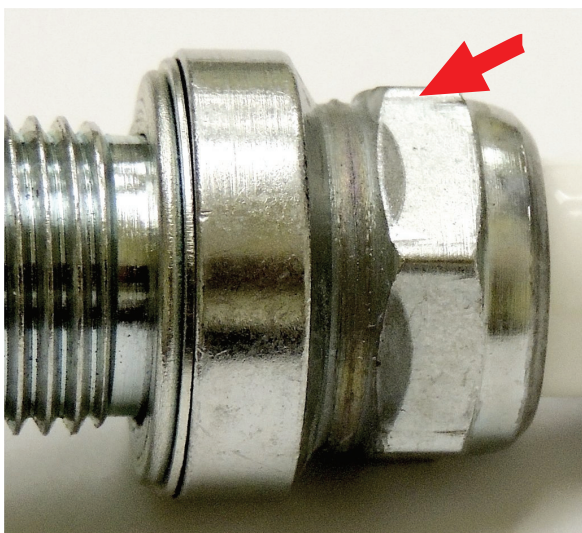
All engine manufacturers have recommended torque specifications for spark plug installation. Most are represented in the chart below. When installing the spark plug, finger tighten until the gasket or tapered seat make contact with the cylinder head, then give it the recommended turn or angle.

Spark plug type	Thread Diameter	Cast Iron Cylinder Head (lb-ft.)	Aluminum Cylinder Head (lb-ft.)	Without Torque Wrench Cast & Aluminum
Gasket Seat	14 mm	18 - 25	18 - 21	1/2 - 2/3 Turn
Spark plug type	Thread Diameter	Cast Iron Cylinder Head (lb-ft.)	Aluminum Cylinder Head (lb-ft.)	Without Torque Wrench Cast & Aluminum
Tapered Seat	18 mm	14 - 22	14 - 19	1/12 - 1/8 Turn
Tapered Seat	16 mm	18 - 25	15 - 21	1/12 - 1/8 Turn
Tapered Seat	14 mm	11 - 18	7 - 14	1/12 - 1/8 Turn
Tapered Seat	12 mm	10 - 18	7 - 18	1/12 - 1/8 Turn

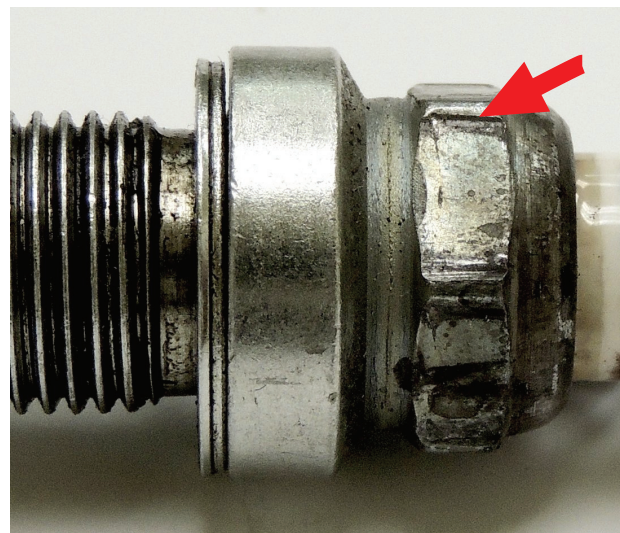
**Note:** Do not use any anti-seize on the spark plug threads since this may result in over-torqueing. MSD plugs are manufactured with a special Zinc-Chomated plating to prevent corrosion and seizure to the cylinder head.



Anti Seize points



Proper Torque



Over Torque



## ENGINE SIZE CONVERSION CHART

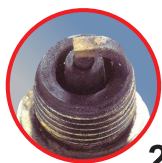
LITER	CID	LITER	CID	LITER	CID
1.0	61	3.8	231	6.0	368
1.5	92	3.8	232	6.2	378
1.6	98	3.9	238	6.2	379
1.7	105	4.1	250	6.6	400
1.8	112	4.1	252	6.6	403
2.0	121	4.2	255	6.9	420
2.0	122	4.2	258	7.0	425
2.2	134	4.3	260	7.0	426
2.2	135	4.3	265	7.4	454
2.3	140	4.4	267	7.5	460
2.5	151	4.8	292	7.6	466
2.6	156	4.9	300	7.8	475
2.6	159	4.9	301	8.1	495
2.8	170	5.0	302	8.2	500
2.8	171	5.0	304	8.3	504
2.8	173	5.0	305	8.6	525
3.0	181	5.0	307	9.0	551
3.2	196	5.2	318	9.0	552
3.3	200	5.7	350	9.1	555
3.5	212	5.8	351	9.3	568
3.7	225	5.9	359	10.0	611
3.8	229	5.9	360		

## QUICK REFERENCE PLUG FAILURE GUIDE

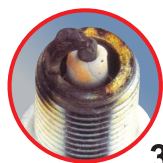
FAILURE	CAUSE	CONSEQUENCES	FIG.
Improperly adjusted ignition system	Spark advance (from a proper moment)	Pre - ignitions - Detonation burning	<b>3</b>
	Spark delay (from a proper moment)	Excessive formation of combustion deposits	<b>2</b>
Improper air/fuel ratio	Rich mixture	Excessive formation of combustion deposits	<b>2</b>
	Lean mixture	Pre - ignitions - Detonation burning	<b>3</b>
Low or no performance of the air filter	Dust penetration into the combustion area	Excessive deposits	<b>4</b>
	Filter impassability	Excessive formation of combustion deposits	<b>2</b>
Compression pressure	Low	Excessive formation of combustion deposits	<b>2</b>
Improperly selected spark plug	Too hot	Pre - ignitions - Detonation burning	<b>3</b>
	Too cold	Excessive formation of combustion deposits	<b>2</b>
None		Perfect performance of the spark plug	<b>1</b>



**1**



**2**



**3**



**4**

**MSD SHORT STYLE PLUG**

MSD 6 and MSD 7 come in a shorter style for more header clearance. The short style plug is 2.4mm (3/32") shorter than the standard style plug.

**MSD 6  
6IR6YS**

**Single  
PN 3741  
4 Pack  
PN 37414**



**MSD 7  
7IR6YS**

**Single  
PN 3742  
4 Pack  
PN 37424**



**ONE-PIECE SPARK PLUG FOR FORD ENGINES, MSD 3**

The OE "high thread" style spark plug used in millions of 4.6L, 5.4L and 6.8L engines present replacement challenges due to the two piece design that often separates during removal, leaving the base trapped within the cylinder head. MSD 3 plugs solve the problem with a one-piece design that eliminates the potential engine tuning headache affecting these engines, and makes replacement convenient and trouble free.

YEAR	MAKE	MODEL	ENGIN	MSD	SINGLE	4 PACK
2008-2005	Ford	Expedition	5.4L V6 (vin 5)	3IR6	3716	37164
2008-2006	Ford	Explorer	4.6L V8 (vin 8)	3IR6	3716	37164
2008-2004	Ford	F-150	5.4L V8 (vin 5)	3IR6	3716	37164
2008-2005	Ford	F-250, F-350	5.4L V8 (vin 5)	3IR6	3716	37164
2008-2005	Ford	F-250, F-350, F-450, F-550	6.8L V10 (vin Y)	3IR6	3716	37164
2008-2005	Ford	Mustang	4.6L V8 (vin H)	3IR6	3716	37164
2008-2005	Lincoln	Mark LT, Navigator	5.4L V8 (vin 5)	3IR6	3716	37164
2008-2006	Mercury	Mountaineer	4.6L V8 (vin 8)	3IR6	3716	37164

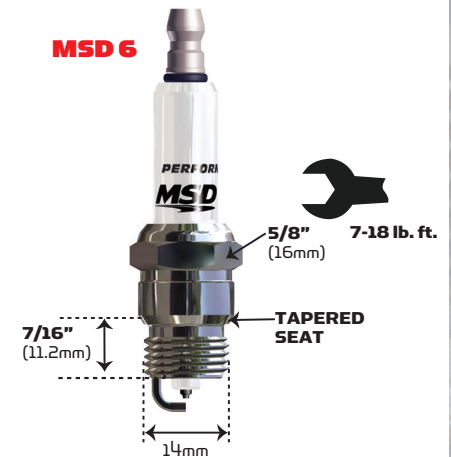
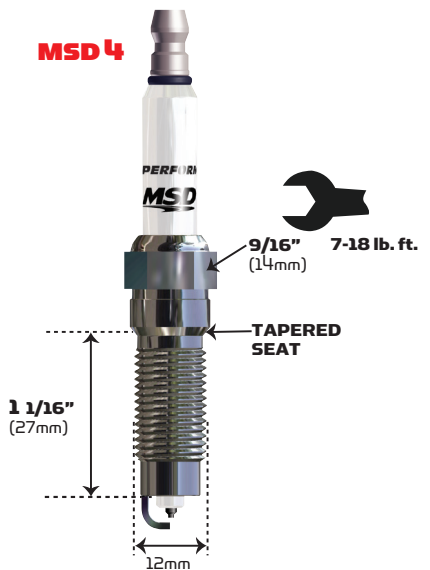
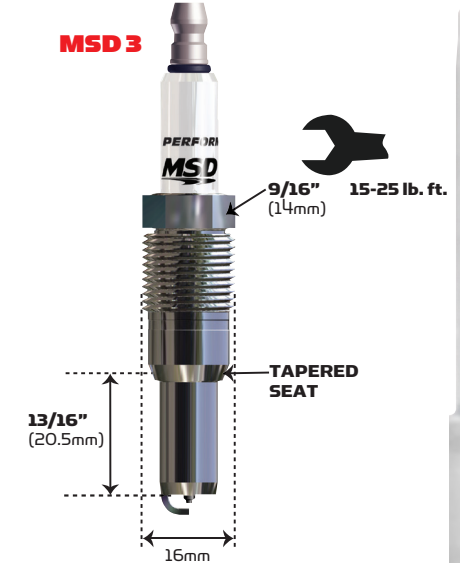
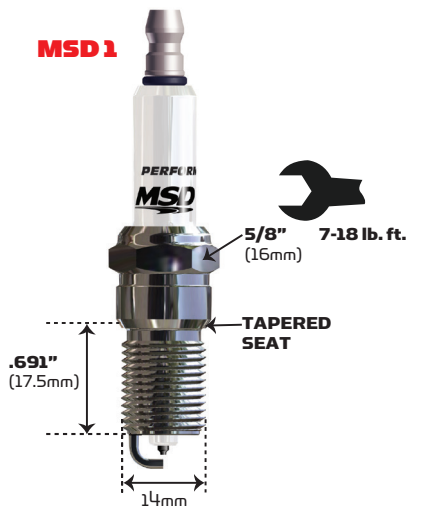
**MSD Technology  
MSD 3 Spark Plug Style**

- **One-piece design**
- **Superior durability**
- **Trouble free plug replacement**





## MSD STYLE SPARK PLUG SPECIFICATIONS



### MSD PLUG STYLE CODE

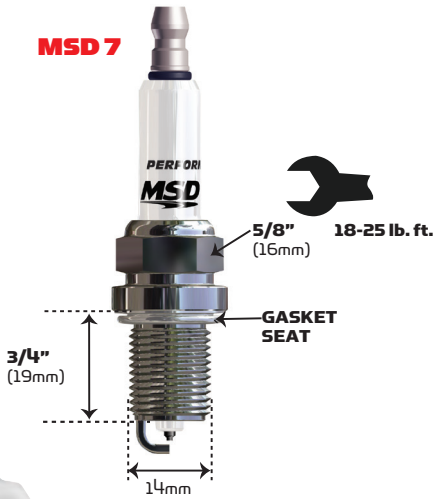
- I = Iridium
- R = Resistor
- 5 = Heat Range
- Y = Projected Tip
- L = Extended Projected Tip

**WARNING:** Do not gap plug by inserting tool between Ground Electrode and Center Electrode.

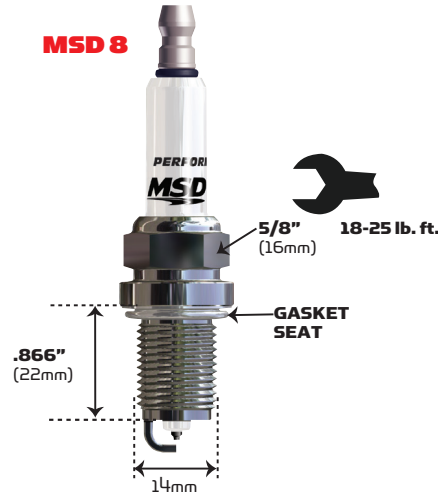
### MSD HEAT RANGE CHART

	<b>HOTTER</b>	4
		5
		6
		7
		8
		9
		10
	<b>COLDER</b>	

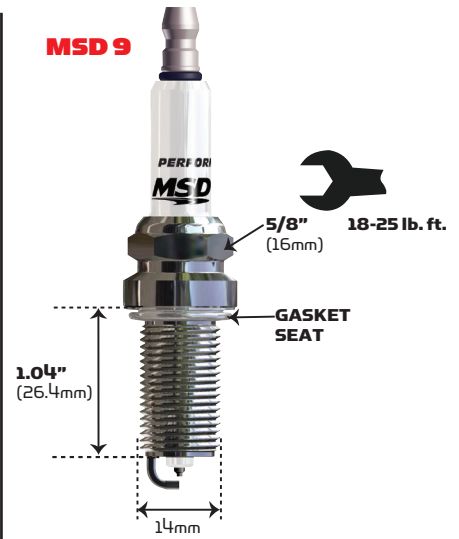
**MSD 7**



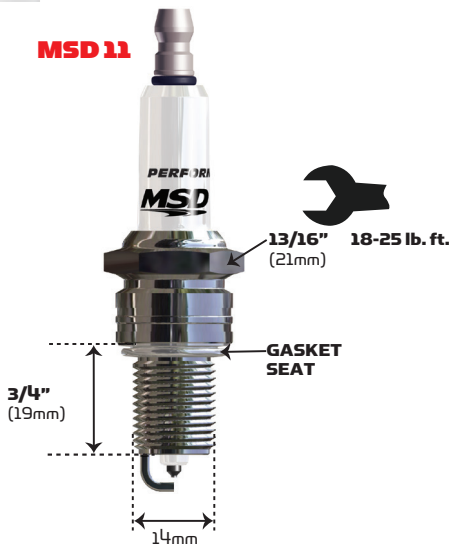
**MSD 8**



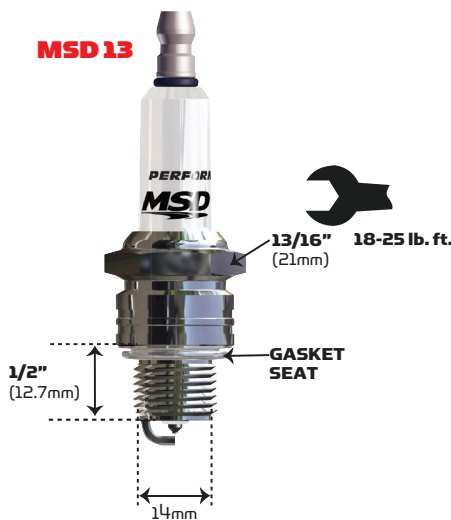
**MSD 9**



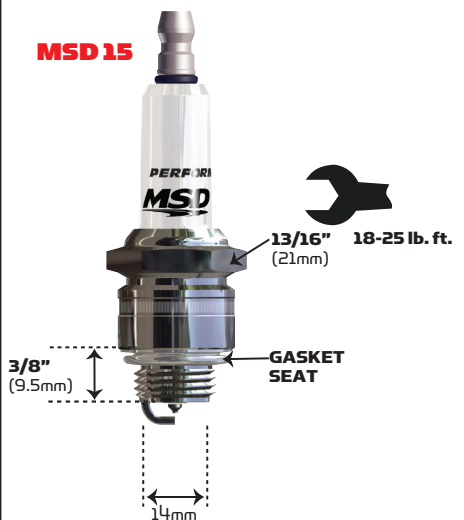
**MSD 11**



**MSD 13**



**MSD 15**



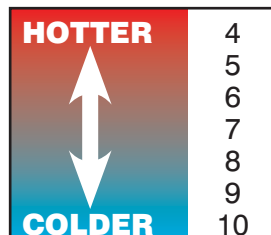
**MSD 16**



**MSD PLUG STYLE CODE**

- I = Iridium
- R = Resistor
- 5 = Heat Range
- Y = Projected Tip
- L = Extended Projected Tip

**MSD HEAT RANGE CHART**



**WARNING:** Do not gap plug by inserting tool between Ground Electrode and Center Electrode.





Make Model Year	Engine Size	Notes:	Plug Type	MSD PN Single	MSD PN 4-Pack	Pre-Gap Setting**
<b>Acura</b>						
<b>CL</b>						
2003	V6 3.2L	Eng J32A1	N/A	N/A	N/A	
2003	V6 3.2L	Eng J32A2, AT	N/A	N/A	N/A	
2003	V6 3.2L	Eng J32A2, MT	N/A	N/A	N/A	
2002-01	V6 3.2L	Eng J32A1	N/A	N/A	N/A	
2002-02	V6 3.2L	Eng J32A2	N/A	N/A	N/A	
1999-98	L4 2.3L		N/A	N/A	N/A	
1999-99	V6 3.0L		N/A	N/A	N/A	
1997	L4 2.2L		N/A	N/A	N/A	
1997	V6 3.0L		N/A	N/A	N/A	
<b>CSX</b>						
2011	L4 2.0L		N/A	N/A	N/A	
2010-07	L4 2.0L	Eng K20Z2	N/A	N/A	N/A	
2010-08	L4 2.0L	Eng K20Z3	N/A	N/A	N/A	
2006	L4 2.0L		N/A	N/A	N/A	
<b>EL</b>						
2005-04	L4 1.7L		7IR6L	3726	37264	0.032
2003-01	L4 1.7L		7IR6L	3726	37264	0.032
2000-97	L4 1.6L		N/A	N/A	N/A	
<b>Integra</b>						
2001	L4 1.8L	Eng B18B1	N/A	N/A	N/A	
2001	L4 1.8L	Eng B18C1 VTEC	7IR6Y *	3727	37274	0.043
2001	L4 1.8L	Eng B18CS VTEC	N/A	N/A	N/A	
2000	L4 1.8L	Eng B18B1	N/A	N/A	N/A	
2000	L4 1.8L	Eng B18C1 VTEC	7IR6Y *	3727	37274	0.043
2000	L4 1.8L	Eng B18CS VTEC	7IR6Y *	3727	37274	0.043
1999-97	L4 1.8L	Eng B18B1	N/A	N/A	N/A	
1999-98	L4 1.8L	Eng B18C1 VTEC	7IR6Y *	3727	37274	0.043
1999-99	L4 1.8L	Eng B18CS VTEC	7IR6Y *	3727	37274	0.043
1996-94	L4 1.8L	Eng B18B1	N/A	N/A	N/A	
1996-95	L4 1.8L	Eng B18C1 VTEC	7IR6Y *	3727	37274	0.043
1993-92	L4 1.7L		7IR6Y *	3727	37274	0.043
1993-92	L4 1.8L		N/A	N/A	N/A	
1991-90	L4 1.8L		7IR5Y	3725	37254	0.040
1989-88	L4 1.6L		7IR6Y *	3727	37274	0.043
1987-86	L4 1.6L		7IR6Y *	3727	37274	0.043
<b>Legend</b>						
1995-91	V6 3.2L		7IR6Y *	3727	37274	0.043
1990-88	V6 2.7L		7IR6Y *	3727	37274	0.043
1987	V6 2.5L		7IR6Y *	3727	37274	0.043
1987	V6 2.7L		7IR6Y *	3727	37274	0.043
1986	V6 2.5L		7IR6Y *	3727	37274	0.043
<b>MDX</b>						
2011-10	V6 3.7L		N/A	N/A	N/A	
2009-07	V6 3.7L		N/A	N/A	N/A	
2006-03	V6 3.5L		N/A	N/A	N/A	
2002-01	V6 3.5L		N/A	N/A	N/A	
<b>NSX</b>						
2005-97	V6 3.0L		7IR6Y *	3727	37274	0.043
2005-97	V6 3.2L		7IR6Y *	3727	37274	0.043
1996-95	V6 3.0L		7IR6Y *	3727	37274	0.043
1994-91	V6 3.0L		7IR6Y *	3727	37274	0.043
<b>RDX</b>						
2011-07	L4 2.3L		N/A	N/A	N/A	
<b>RL</b>						
2011-09	V6 3.7L		N/A	N/A	N/A	
2008-05	V6 3.5L		N/A	N/A	N/A	
2004-03	V6 3.5L		7IR5Y	3725	37254	0.040
2002-96	V6 3.5L		7IR5Y	3725	37254	0.040
<b>RSX</b>						
2006-05	L4 2.0L	Eng K20A3	N/A	N/A	N/A	
2006-05	L4 2.0L	Eng K20Z1	N/A	N/A	N/A	
2004-02	L4 2.0L	Eng K20A2	N/A	N/A	N/A	
2004-02	L4 2.0L	Eng K20A3	N/A	N/A	N/A	

CPB's = Coil Plug Boots  
 \*\* Pre-gapped for optimal performance.

Make Model Year	Engine Size	Notes:	Plug Type	MSD PN Single	MSD PN 4-Pack	Pre-Gap Setting**
<b>SLX</b>						
1999-98	V6 3.5L		7IR5Y	3725	37254	0.040
1997-96	V6 3.2L		7IR5Y	3725	37254	0.040
<b>TL</b>						
2012-09	V6 3.5L		N/A	N/A	N/A	
2012-09	V6 3.7L		N/A	N/A	N/A	
2008-07	V6 3.2L		N/A	N/A	N/A	
2008-07	V6 3.5L		N/A	N/A	N/A	
2006-04	V6 3.2L		N/A	N/A	N/A	
2003-02	V6 3.2L	Eng J32A1	N/A	N/A	N/A	
2003-02	V6 3.2L	Eng J32A2	N/A	N/A	N/A	
2001-99	V6 3.2L		N/A	N/A	N/A	
1998-96	L5 2.5L		7IR5Y	3725	37254	0.040
1998-96	V6 3.2L		7IR5Y	3725	37254	0.040
1995	L5 2.5L		7IR5Y	3725	37254	0.040
<b>TSX</b>						
2011-10	L4 2.4L		N/A	N/A	N/A	
2011-10	V6 3.5L		N/A	N/A	N/A	
2009	L4 2.4L		N/A	N/A	N/A	
2008-04	L4 2.4L		N/A	N/A	N/A	
<b>Vigor</b>						
1994-92	L5 2.5L		7IR5Y	3725	37254	0.040
<b>ZDX</b>						
2011-10	V6 3.7L		N/A	N/A	N/A	
<b>Alfa Romero</b>						
<b>164</b>						
1995-94	V6 3.0L		7IR6Y *	3727	37274	0.043
1993-92	V6 3.0L L		N/A	N/A	N/A	
1993-92	V6 3.0L Sport		7IR6Y *	3727	37274	0.043
1991	V6 3.0L Base		N/A	N/A	N/A	
1991	V6 3.0L L		N/A	N/A	N/A	
1991	V6 3.0L Sport		7IR6Y *	3727	37274	0.043
<b>2600</b>						
1967	L6 2.6L		N/A	N/A	N/A	
<b>Alfetta</b>						
1977-75	L4 2.0L		N/A	N/A	N/A	
<b>Berlina</b>						
1971-70	L4 1.8L		N/A	N/A	N/A	
1969	L4 1.8L		N/A	N/A	N/A	
<b>Duetto 1600</b>						
1968-67	L4 1.6L		N/A	N/A	N/A	
<b>Giulia</b>						
1967-64	L4 1.6L Spider		N/A	N/A	N/A	
<b>Giulia Sprint</b>						
1968-67	L4 1.6L		N/A	N/A	N/A	
<b>GTC</b>						
1964	L4 1.6L		N/A	N/A	N/A	
<b>GTV</b>						
1968-67	L4 1.6L		N/A	N/A	N/A	
<b>GTV-6</b>						
1986-81	V6 2.5L		N/A	N/A	N/A	
<b>GT Veloce</b>						
1974-72	L4 2.0L		N/A	N/A	N/A	
1971-69	L4 1.8L		N/A	N/A	N/A	
<b>Milano</b>						
1989-88	V6 2.5L		N/A	N/A	N/A	
1987	V6 2.5L		N/A	N/A	N/A	
<b>Montreal</b>						
1975-71	V8 2.6L		N/A	N/A	N/A	
<b>Spider</b>						
1994-72	L4 2.0L		N/A	N/A	N/A	
1971-70	L4 1.8L		N/A	N/A	N/A	
1971-70	L4 2.0L		N/A	N/A	N/A	
1969	L4 1.8L		N/A	N/A	N/A	

\* Short Style 6 Series - PN 3741 (single), PN 37414 (4pk) - Pre-gapped 0.035  
 \* Short Style 7 Series - PN 3742 (single), PN 37424 (4pk) - Pre-gapped 0.035





## Alfa Romero sport

Make Model Year	Engine Size	Notes:	Plug Type	MSD PN Single	MSD PN 4-Pack	Pre-Gap Setting**
<b>Sport</b>						
1979-78	L4 2.0L		N/A	N/A	N/A	
<b>Sprint</b>						
1979-77	L4 2.0L		N/A	N/A	N/A	

## American Motors

Make Model Year	Engine Size	Notes:	Plug Type	MSD PN Single	MSD PN 4-Pack	Pre-Gap Setting**
<b>Ambassador</b>						
1974-72	V8 5.0L		11IR4Y	3731	37314	0.035
1974-72	V8 5.9L		11IR4Y	3731	37314	0.035
1974-72	V8 6.6L		11IR4Y	3731	37314	0.035
1971	L6 4.2L		11IR4Y	3731	37314	0.035
1971	V8 5.0L		11IR4Y	3731	37314	0.035
1971	V8 5.9L		11IR4Y	3731	37314	0.035
1971	V8 6.6L		11IR4Y	3731	37314	0.035
1970	L6 3.8L		11IR4Y	3731	37314	0.035
1970	V8 5.0L		11IR4Y	3731	37314	0.035
1970	V8 5.9L		11IR4Y	3731	37314	0.035
1970	V8 6.4L		11IR4Y	3731	37314	0.035
1969-68	L6 3.8L		11IR4Y	3731	37314	0.035
1969-68	V8 4.8L		11IR4Y	3731	37314	0.035
1969-68	V8 5.6L		11IR4Y	3731	37314	0.035
1969-68	V8 6.4L		11IR4Y	3731	37314	0.035
1967	L6 3.3L		11IR4Y	3731	37314	0.035
1967	L6 3.8L		11IR4Y	3731	37314	0.035
1967	V8 4.7L		15IR6	3740	37404	0.032
1967	V8 5.6L		11IR4Y	3731	37314	0.035
1966	L6 3.3L		11IR4Y	3731	37314	0.035
1966	L6 3.8L		11IR4Y	3731	37314	0.035
1966	V8 4.7L		15IR6	3740	37404	0.032
1966	V8 5.4L		11IR4Y	3731	37314	0.035
1965	L6 3.8L		11IR4Y	3731	37314	0.035
1963-58	V8 5.4L		15IR6	3740	37404	0.032

## American

1968	L6 3.3L		11IR4Y	3731	37314	0.035
1968	L6 3.8L		11IR4Y	3731	37314	0.035
1967	L6 3.3L		11IR4Y	3731	37314	0.035
1967	L6 3.8L		11IR4Y	3731	37314	0.035
1967	V8 5.6L		11IR4Y	3731	37314	0.035
1966	L6 3.3L		11IR4Y	3731	37314	0.035
1966	L6 3.8L		11IR4Y	3731	37314	0.035
1965-64	L6 3.2L		15IR4	3737	37374	0.035
1965-64	L6 3.8L		11IR4Y	3731	37314	0.035
1962-58	L6 3.2L		15IR4	3737	37374	0.035

## AMX

1980	L6 4.2L		11IR5Y	3733	37334	0.035
1979-78	L6 4.2L		11IR5Y	3733	37334	0.035
1979-78	V8 5.0L		11IR4Y	3731	37314	0.035
1974-72	V8 5.0L		11IR4Y	3731	37314	0.035
1974-72	V8 5.9L		11IR4Y	3731	37314	0.035
1974-72	V8 6.6L		11IR4Y	3731	37314	0.035
1971	V8 5.9L		11IR4Y	3731	37314	0.035
1971	V8 6.6L		11IR4Y	3731	37314	0.035
1970	V8 5.9L		11IR4Y	3731	37314	0.035
1970	V8 6.4L		11IR4Y	3731	37314	0.035
1969-68	V8 4.8L		11IR4Y	3731	37314	0.035
1969-68	V8 5.6L		11IR4Y	3731	37314	0.035
1969-68	V8 6.4L		11IR4Y	3731	37314	0.035

## Classic

1966	V8 4.7L		15IR6	3740	37404	0.032
1965	L6 3.3L		11IR4Y	3731	37314	0.035
1965	L6 3.8L		11IR4Y	3731	37314	0.035
1965	V8 4.7L		15IR4	3737	37374	0.035
1964	L6 3.2L		15IR4	3737	37374	0.035
1964	L6 3.8L		11IR4Y	3731	37314	0.035
1964	V8 4.7L		15IR4	3737	37374	0.035
1963	L6 3.2L		15IR4	3737	37374	0.035
1963	V8 4.7L		15IR6	3740	37404	0.032
1962-61	L6 3.2L		15IR4	3737	37374	0.035

Make Model Year	Engine Size	Notes:	Plug Type	MSD PN Single	MSD PN 4-Pack	Pre-Gap Setting**
<b>Concord</b>						
1983	L6 4.2L		8IR5L	3728	37284	0.040
1982-81	L4 2.5L		6IR4Y	3720	37204	0.035
1982-81	L6 4.2L		8IR5L	3728	37284	0.040
1980	L4 2.5L		6IR4Y	3720	37204	0.035
1980	L6 4.2L		11IR5Y	3733	37334	0.035
1979-78	L4 2.0L		11IR5Y	3733	37334	0.035
1979-78	L6 3.8L		11IR5Y	3733	37334	0.035
1979-78	L6 4.2L		11IR5Y	3733	37334	0.035
1979-78	V8 5.0L		11IR4Y	3731	37314	0.035

## Custom

1962-61	L6 3.2L		15IR4	3737	37374	0.035
---------	---------	--	-------	------	-------	-------

## Deluxe

1962-61	L6 3.2L		15IR4	3737	37374	0.035
---------	---------	--	-------	------	-------	-------

## Eagle

1988-85	L6 4.2L		8IR5L	3728	37284	0.040
1984	L4 2.5L		8IR5L	3728	37284	0.040
1984	L6 4.2L		8IR5L	3728	37284	0.040
1983	L4 2.5L	Vin B	6IR4Y	3720	37204	0.035
1983	L4 2.5L	Vin U	8IR5L	3728	37284	0.040
1983	L6 4.2L		8IR5L	3728	37284	0.040
1982-81	L4 2.5L		6IR4Y	3720	37204	0.035
1982-81	L6 4.2L		8IR5L	3728	37284	0.040
1980	L6 4.2L		8IR5L	3728	37284	0.040

## Gremlin

1978	L4 2.0L		11IR5Y	3733	37334	0.035
1978	L6 3.8L		11IR5Y	3733	37334	0.035
1978	L6 4.2L		11IR5Y	3733	37334	0.035
1977	L4 2.0L		11IR5Y	3733	37334	0.035
1977	L6 3.8L		11IR4Y	3731	37314	0.035
1977	L6 4.2L		11IR4Y	3731	37314	0.035
1976-72	L6 3.8L		11IR4Y	3731	37314	0.035
1976-72	L6 4.2L		11IR4Y	3731	37314	0.035
1976-72	V8 5.0L		11IR4Y	3731	37314	0.035
1971	L6 3.8L		11IR4Y	3731	37314	0.035
1971	L6 4.2L		11IR4Y	3731	37314	0.035
1970	L6 3.3L		11IR4Y	3731	37314	0.035
1970	L6 3.8L		11IR4Y	3731	37314	0.035

## Hornet

1977-75	L6 3.8L		11IR4Y	3731	37314	0.035
1977-75	L6 4.2L		11IR4Y	3731	37314	0.035
1977-75	V8 5.0L		11IR4Y	3731	37314	0.035
1974-71	L6 3.8L		11IR4Y	3731	37314	0.035
1974-71	L6 4.2L		11IR4Y	3731	37314	0.035
1974-71	V8 5.0L		11IR4Y	3731	37314	0.035
1974-71	V8 5.9L		11IR4Y	3731	37314	0.035
1970	L6 3.3L		11IR4Y	3731	37314	0.035
1970	L6 3.8L		11IR4Y	3731	37314	0.035
1970	V8 5.0L		11IR4Y	3731	37314	0.035

## Javelin

1974-71	L6 3.8L		11IR4Y	3731	37314	0.035
1974-71	L6 4.2L		11IR4Y	3731	37314	0.035
1974-71	V8 5.0L		11IR4Y	3731	37314	0.035
1974-71	V8 5.9L		11IR4Y	3731	37314	0.035
1974-71	V8 6.6L		11IR4Y	3731	37314	0.035
1970	L6 3.8L		11IR4Y	3731	37314	0.035
1970	V8 5.0L		11IR4Y	3731	37314	0.035
1970	V8 5.9L		11IR4Y	3731	37314	0.035
1970	V8 6.4L		11IR4Y	3731	37314	0.035
1969-68	L6 3.8L		11IR4Y	3731	37314	0.035
1969-68	V8 5.6L		11IR4Y	3731	37314	0.035
1969-68	V8 6.4L		11IR4Y	3731	37314	0.035

## Marlin

1967	L6 3.3L		11IR4Y	3731	37314	0.035
1967	L6 3.8L		11IR4Y	3731	37314	0.035
1967	V8 5.6L		11IR4Y	3731	37314	0.035
1966	L6 3.3L		11IR4Y	3731	37314	0.035
1966	L6 3.8L		11IR4Y	3731	37314	0.035



Make Model Year	Engine Size	Notes:	Plug Type	MSD PN Single	MSD PN 4-Pack	Pre-Gap Setting**
1966	V8 4.7L		151R4	3737	37374	0.035
1965	L6 3.8L		111R4Y	3731	37314	0.035
1965	V8 4.7L		151R4	3737	37374	0.035
<b>Matador</b>						
1978	L6 4.2L	Vin A	111R5Y	3733	37334	0.035
1978	V8 5.9L		111R4Y	3731	37314	0.035
1977	L6 4.2L		111R4Y	3731	37314	0.035
1977	V8 5.0L		111R4Y	3731	37314	0.035
1977	V8 5.9L		111R4Y	3731	37314	0.035
1976-75	L6 4.2L		111R4Y	3731	37314	0.035
1976-75	V8 5.0L		111R4Y	3731	37314	0.035
1976-75	V8 5.9L		111R4Y	3731	37314	0.035
1976-75	V8 6.6L		111R4Y	3731	37314	0.035
1974-71	L6 3.8L		111R4Y	3731	37314	0.035
1974-71	L6 4.2L		111R4Y	3731	37314	0.035
1974-71	V8 5.0L		111R4Y	3731	37314	0.035
1974-71	V8 5.9L		111R4Y	3731	37314	0.035
1974-71	V8 6.6L		111R4Y	3731	37314	0.035
<b>Pacer</b>						
1980	L6 4.2L		111R5Y	3733	37334	0.035
1979	L6 4.2L		111R5Y	3733	37334	0.035
1979	V8 5.0L		111R4Y	3731	37314	0.035
1978	L6 3.8L		111R5Y	3733	37334	0.035
1978	L6 4.2L		111R5Y	3733	37334	0.035
1978	V8 5.0L		111R4Y	3731	37314	0.035
1977-75	L6 3.8L		111R4Y	3731	37314	0.035
1977-75	L6 4.2L		111R4Y	3731	37314	0.035
<b>Rambler</b>						
1969	L6 3.3L		111R4Y	3731	37314	0.035
1969	L6 3.8L		111R4Y	3731	37314	0.035
1960-59	L6 3.2L		151R4	3737	37374	0.035
<b>Rebel</b>						
1970	L6 3.8L	Car	111R4Y	3731	37314	0.035
1970	V8 5.0L	Car	111R4Y	3731	37314	0.035
1970	V8 5.9L	Car	111R4Y	3731	37314	0.035
1970	V8 6.4L	Car	111R4Y	3731	37314	0.035
1969	L6 3.8L		111R4Y	3731	37314	0.035
1969	V8 4.8L		111R4Y	3731	37314	0.035
1969	V8 5.6L		111R4Y	3731	37314	0.035
1969	V8 6.4L		111R4Y	3731	37314	0.035
1968	L6 3.8L	Car	111R4Y	3731	37314	0.035
1968	V8 5.6L	Car	111R4Y	3731	37314	0.035
1967	L6 3.3L	Car	111R4Y	3731	37314	0.035
1967	L6 3.8L	Car	111R4Y	3731	37314	0.035
1967	V8 5.6L	Car	111R4Y	3731	37314	0.035
1961-60	V8 4.1L		151R6	3740	37404	0.032
1959	V8 4.1L		151R4	3737	37374	0.035
<b>Spirit</b>						
1983	L6 4.2L		81R5L	3728	37284	0.040
1982-80	L4 2.5L		61R4Y	3720	37204	0.035
1982-80	L6 4.2L		81R5L	3728	37284	0.040
1979	L4 2.0L		111R5Y	3733	37334	0.035
1979	L6 3.8L		111R5Y	3733	37334	0.035
1979	L6 4.2L		111R5Y	3733	37334	0.035
1979	V8 5.0L	Car	111R4Y	3731	37314	0.035
<b>Super Six</b>						
1962-61	L6 3.2L		151R4	3737	37374	0.035
<b>AM General</b>						
<b>Hummer</b>						
1996-95	V8 5.7L		61R5Y	3722	37224	0.035
<b>Aston Martin</b>						
<b>DB2</b>						
1953-50	L6 2.6L		N/A	N/A	N/A	
<b>DB2-4</b>						
1955-53	L6 2.6L		N/A	N/A	N/A	

Make Model Year	Engine Size	Notes:	Plug Type	MSD PN Single	MSD PN 4-Pack	Pre-Gap Setting**
<b>DB3</b>						
1952-51	L6 2.6L		N/A	N/A	N/A	
<b>DB4</b>						
1963-60	L6 3.7L		N/A	N/A	N/A	
1963-60	L6 4.0L		N/A	N/A	N/A	
1959-58	L6 3.7L		N/A	N/A	N/A	
<b>DB5</b>						
1965-63	L6 4.0L		N/A	N/A	N/A	
<b>DB6</b>						
1970-65	L6 4.0L		N/A	N/A	N/A	
<b>DB7</b>						
2004	V12 6.0L		11R5Y	3713	37134	0.043
2003-02	V12 6.0L		11R5Y	3713	37134	0.043
2000	V12 6.0L		11R6Y	3714	37144	0.043
1998-97	L6 3.2L		N/A	N/A	N/A	
<b>DB9</b>						
2005	V12 6.0L		71R6Y *	3727	37274	0.043
<b>DBS</b>						
1971	L6 4.0L		N/A	N/A	N/A	
1971	V8 5.3L		N/A	N/A	N/A	
1970	L6 4.0L		N/A	N/A	N/A	
1970	V8 5.3L	CARB	N/A	N/A	N/A	
1969-67	L6 4.0L		N/A	N/A	N/A	
<b>Lagonda</b>						
1989-79	V8 5.3L		111R5Y	3733	37334	0.035
1978-77	V8 5.3L		N/A	N/A	N/A	
1989-83	V8 5.3L		111R5Y	3733	37334	0.035
1982	V8 5.3L	Base	111R5Y	3733	37334	0.035
1982	V8 5.3L	Vantage	N/A	N/A	N/A	
1982	V8 5.3L	Volante	N/A	N/A	N/A	
1981-79	V8 5.3L		111R5Y	3733	37334	0.035
1978-72	V8 5.3L		N/A	N/A	N/A	
<b>Vanquish</b>						
2006-02	V12 6.0L		11R6Y	3714	37144	0.043
<b>Vantage</b>						
1974-72	L6 4.0L		N/A	N/A	N/A	
<b>Virage</b>						
1994-90	V8 5.3L		71R6Y *	3727	37274	0.043
1989	V8 5.3L		111R5Y	3733	37334	0.035
<b>Zagato</b>						
1988-87	V8 5.3L		111R5Y	3733	37334	0.035
<b>Asuna</b>						
<b>Sunfire</b>						
1993	L4 1.8L		N/A	N/A	N/A	
<b>Sunrunner</b>						
1993-92	L4 1.6L		N/A	N/A	N/A	
<b>Audi</b>						
<b>80</b>						
1992	L5 2.3L		111R5Y	3733	37334	0.035
1991	L5 2.3L		111R5Y	3733	37334	0.035
1990-88	L4 2.0L		N/A	N/A	N/A	
<b>80 Quattro</b>						
1992	L5 2.3L		111R5Y	3733	37334	0.035
1991-88	L5 2.3L		111R5Y	3733	37334	0.035
<b>90</b>						
1995	V6 2.8L		N/A	N/A	N/A	
1994	V6 2.8L	Eng AAH	N/A	N/A	N/A	
1994	V6 2.8L	Eng AFC	N/A	N/A	N/A	
1993	V6 2.8L		N/A	N/A	N/A	
1991-89	L5 2.3L		N/A	N/A	N/A	
1988	L4 2.0L		N/A	N/A	N/A	
1988	L5 2.3L		N/A	N/A	N/A	

CPB's = Coil Plug Boots  
 \*\* Pre-gapped for optimal performance.

\* Short Style 6 Series - PN 3741 (single), PN 37414 (4pk) - Pre-gapped 0.035  
 \* Short Style 7 Series - PN 3742 (single), PN 37424 (4pk) - Pre-gapped 0.035





# Audi 90 Quattro

Make Model Year	Engine Size	Notes:	Plug Type	MSD PN Single	MSD PN 4-Pack	Pre-Gap Setting**
<b>90 Quattro</b>						
1995-93	V6 2.8L		N/A	N/A	N/A	
1992-90	L5 2.3L		71R6Y *	3727	37274	0.043
1989-88	L5 2.3L		111R5Y	3733	37334	0.035
<b>100</b>						
1994-92	V6 2.8L		N/A	N/A	N/A	
1991-89	L5 2.3L		111R5Y	3733	37334	0.035
<b>100 Quattro</b>						
1994-92	V6 2.8L		N/A	N/A	N/A	
1991-89	L5 2.3L		111R5Y	3733	37334	0.035
<b>100 Series</b>						
1977-72	L4 1.9L		N/A	N/A	N/A	
1971-69	L4 1.8L		N/A	N/A	N/A	
<b>200</b>						
1991-89	L5 2.2L		N/A	N/A	N/A	
<b>200 Quattro</b>						
1991	L5 2.2L	Eng 3B	N/A	N/A	N/A	
1991	L5 2.2L	Eng MC	N/A	N/A	N/A	
1990-89	L5 2.2L	Eng MC 10 Valves	N/A	N/A	N/A	
<b>4000</b>						
1987	L4 1.8L		N/A	N/A	N/A	
1986	L4 1.8L		N/A	N/A	N/A	
1986	L5 2.2L		N/A	N/A	N/A	
1985	L4 1.8L		N/A	N/A	N/A	
1985	L5 2.2L		N/A	N/A	N/A	
1984	L4 1.8L		N/A	N/A	N/A	
1984	L5 2.2L		N/A	N/A	N/A	
1983-82	L4 1.6L		N/A	N/A	N/A	
1983-82	L4 1.7L		N/A	N/A	N/A	
1983-82	L5 2.2L		N/A	N/A	N/A	
1981	L4 1.7L		N/A	N/A	N/A	
1981	L5 2.2L		N/A	N/A	N/A	
1980	L4 1.6L		111R5Y	3733	37334	0.035
1980	L5 2.2L		N/A	N/A	N/A	
<b>4000 Quattro</b>						
1987-86	L5 2.2L		N/A	N/A	N/A	
1985-84	L5 2.2L		N/A	N/A	N/A	
<b>5000</b>						
1988	L5 2.2L		N/A	N/A	N/A	
1988	L5 2.3L		111R5Y	3733	37334	0.035
1987	L5 2.2L	Vin B, Naturally Aspirated	N/A	N/A	N/A	
1987	L5 2.2L	Vin D, Turbo	N/A	N/A	N/A	
1987	L5 2.2L	Vin E, Turbo	71R6Y *	3727	37274	0.043
1987	L5 2.3L		111R5Y	3733	37334	0.035
1986	L5 2.2L	Naturally Aspirated	N/A	N/A	N/A	
1986	L5 2.2L	Turbo	N/A	N/A	N/A	
1985	L5 2.0L		N/A	N/A	N/A	
1985	L5 2.2L	Naturally Aspirated	N/A	N/A	N/A	
1985	L5 2.2L	Turbo	N/A	N/A	N/A	
1984	L5 2.0L		N/A	N/A	N/A	
1984	L5 2.2L	Naturally Aspirated	N/A	N/A	N/A	
1984	L5 2.2L	Turbo	N/A	N/A	N/A	
1983	L5 2.0L		N/A	N/A	N/A	
1983	L5 2.2L		N/A	N/A	N/A	
1982	L5 2.0L		N/A	N/A	N/A	
1982	L5 2.2L	Eng WD Turbo	N/A	N/A	N/A	
1982	L5 2.2L	Eng WE Turbo	N/A	N/A	N/A	
1982	L5 2.2L	Eng WK Turbo	N/A	N/A	N/A	
1981	L5 2.0L		N/A	N/A	N/A	
1981	L5 2.2L	Eng WD	N/A	N/A	N/A	
1981	L5 2.2L	Eng WE	N/A	N/A	N/A	
1981	L5 2.2L	Eng WK	N/A	N/A	N/A	
1980	L5 2.0L		N/A	N/A	N/A	
1980	L5 2.2L		N/A	N/A	N/A	
1979	L5 2.0L		N/A	N/A	N/A	
1979	L5 2.2L		N/A	N/A	N/A	
1978	L5 2.2L	Eng WD	N/A	N/A	N/A	
1978	L5 2.2L	Eng WE	N/A	N/A	N/A	

Make Model Year	Engine Size	Notes:	Plug Type	MSD PN Single	MSD PN 4-Pack	Pre-Gap Setting**
<b>5000 Quattro</b>						
1988-87	L5 2.2L		71R6Y *	3727	37274	0.043
1988-87	L5 2.3L		111R5Y	3733	37334	0.035
1986	L5 2.2L	Vin D	N/A	N/A	N/A	
1986	L5 2.2L	Vin E	71R6Y *	3727	37274	0.043
<b>A3</b>						
2011	L4 2.0L	Eng CBFA	N/A	N/A	N/A	
2011	L4 2.0L	Eng CCTA	N/A	N/A	N/A	
2010	L4 2.0L	Eng CBFA	N/A	N/A	N/A	
2010	L4 2.0L	Eng CCTA	N/A	N/A	N/A	
2009-08	L4 2.0L		N/A	N/A	N/A	
2009-08	V6 3.2L		N/A	N/A	N/A	
2007-06	L4 2.0L		N/A	N/A	N/A	
2007-06	V6 3.2L		N/A	N/A	N/A	
<b>A4</b>						
2011-10	L4 2.0L		N/A	N/A	N/A	
2009	L4 2.0L		N/A	N/A	N/A	
2008-07	L4 2.0L		N/A	N/A	N/A	
2008-07	V6 3.2L		N/A	N/A	N/A	
2006	L4 1.8L		71R6Y *	3727	37274	0.043
2006	L4 2.0L		N/A	N/A	N/A	
2006	V6 3.2L		N/A	N/A	N/A	
2005	L4 1.8L		71R6Y *	3727	37274	0.043
2005	L4 2.0L		N/A	N/A	N/A	
2005	V6 3.0L	Eng BGN	71R6Y *	3727	37274	0.043
2004-02	L4 1.8L		71R6Y *	3727	37274	0.043
2004-02	V6 3.0L		71R6Y *	3727	37274	0.043
2001	L4 1.8L		71R6Y *	3727	37274	0.043
2001	V6 2.8L		71R6Y *	3727	37274	0.043
2000	L4 1.8L		71R6Y *	3727	37274	0.043
2000	V6 2.8L		71R6Y *	3727	37274	0.043
1999	L4 1.8L	4 CPBs Req	71R6Y *	3727	37274	0.043
1999	V6 2.8L		71R6Y *	3727	37274	0.043
1998	L4 1.8L	4 CPBs Req	71R6Y *	3727	37274	0.043
1998	V6 2.8L		N/A	N/A	N/A	
1997	L4 1.8L	4 CPBs Req	71R6Y *	3727	37274	0.043
1997	V6 2.8L	Eng AFC	N/A	N/A	N/A	
1997	V6 2.8L	Eng AFC DOHC	N/A	N/A	N/A	
1997	V6 2.8L	Eng AHA	71R6Y *	3727	37274	0.043
1997	V6 2.8L	Eng AHA DOHC	71R6Y *	3727	37274	0.043
1996	V6 2.8L		71R6Y *	3727	37274	0.043
<b>A4 Quattro</b>						
2011-10	L4 2.0L		N/A	N/A	N/A	
2009	L4 2.0L		N/A	N/A	N/A	
2009	V6 3.2L		N/A	N/A	N/A	
2008-07	L4 2.0L		N/A	N/A	N/A	
2008-07	V6 3.2L		N/A	N/A	N/A	
2006	L4 2.0L		N/A	N/A	N/A	
2006	V6 3.0L		71R6Y *	3727	37274	0.043
2006	V6 3.2L		N/A	N/A	N/A	
2005	L4 1.8L		71R6Y *	3727	37274	0.043
2005	L4 2.0L		N/A	N/A	N/A	
2005	V6 3.0L		71R6Y *	3727	37274	0.043
2005	V6 3.2L		N/A	N/A	N/A	
2004-02	L4 1.8L		71R6Y *	3727	37274	0.043
2004-02	V6 3.0L		71R6Y *	3727	37274	0.043
2001	L4 1.8L		71R6Y *	3727	37274	0.043
2001	V6 2.8L		71R6Y *	3727	37274	0.043
2000	L4 1.8L	Eng AEB 4 CPBs Req	71R6Y *	3727	37274	0.043
2000	L4 1.8L	Eng ATW 4 CPBs Req	71R6Y *	3727	37274	0.043
2000	V6 2.8L		71R6Y *	3727	37274	0.043
1999	L4 1.8L	4 CPBs Req	71R6Y *	3727	37274	0.043
1999	V6 2.8L		71R6Y *	3727	37274	0.043
1998	L4 1.8L	4 CPBs Req	71R6Y *	3727	37274	0.043
1998	V6 2.8L		71R6Y *	3727	37274	0.043

\* Short Style 6 Series - PN 3741 (single), PN 37414 (4pk) - Pre-gapped 0.035  
 \* Short Style 7 Series - PN 3742 (single), PN 37424 (4pk) - Pre-gapped 0.035

CPB's = Coil Plug Boots  
 \*\* Pre-gapped for optimal performance.



Make Model Year	Engine Size	Notes:	Plug Type	MSD PN Single	MSD PN 4-Pack	Pre-Gap Setting**
1997	L4 1.8L	4 CPBs Req	71R6Y *	3727	37274	0.043
1997	V6 2.8L		N/A	N/A	N/A	
1996	V6 2.8L		71R6Y *	3727	37274	0.043
<b>A5</b>						
2011-10	L4 2.0L		N/A	N/A	N/A	
<b>A5 Quattro</b>						
2011	L4 2.0L		N/A	N/A	N/A	
2010	L4 2.0L		N/A	N/A	N/A	
2010	V6 3.2L		N/A	N/A	N/A	
2009-08	V6 3.2L		N/A	N/A	N/A	
<b>A6</b>						
2010-09	V6 3.2L		N/A	N/A	N/A	
2008-06	V6 3.2L		N/A	N/A	N/A	
2004-02	V6 3.0L		71R6Y *	3727	37274	0.043
2001-99	V6 2.8L		71R6Y *	3727	37274	0.043
1998	V6 2.8L	Eng AFC	N/A	N/A	N/A	
1998	V6 2.8L	Eng AHA	71R6Y *	3727	37274	0.043
1997-95	V6 2.8L		N/A	N/A	N/A	
<b>A6 Quattro</b>						
2011-09	V8 4.2L		71R6Y *	3727	37274	0.043
2008-07	V6 3.2L		N/A	N/A	N/A	
2008-07	V8 4.2L		71R6Y *	3727	37274	0.043
2006	V6 3.2L		N/A	N/A	N/A	
2006	V8 4.2L		71R6Y *	3727	37274	0.043
2005	V6 3.2L		N/A	N/A	N/A	
2005	V8 4.2L		71R6Y *	3727	37274	0.043
2004	V6 2.7L		71R6Y *	3727	37274	0.043
2004	V6 3.0L		71R6Y *	3727	37274	0.043
2004	V8 4.2L		71R6Y *	3727	37274	0.043
2003	V6 2.7L		71R6Y *	3727	37274	0.043
2003	V6 3.0L		71R6Y *	3727	37274	0.043
2003	V8 4.2L		71R6Y *	3727	37274	0.043
2002	V6 2.7L	6 CPBs Req	71R6Y *	3727	37274	0.043
2002	V6 3.0L		71R6Y *	3727	37274	0.043
2002	V8 4.2L		71R6Y *	3727	37274	0.043
2001	V6 2.7L	6 CPBs Req	71R6Y *	3727	37274	0.043
2001	V6 2.8L		71R6Y *	3727	37274	0.043
2001	V8 4.2L		71R6Y *	3727	37274	0.043
1999	V6 2.8L		71R6Y *	3727	37274	0.043
1998	V6 2.8L		71R6Y *	3727	37274	0.043
1997	V6 2.8L		N/A	N/A	N/A	
1996	V6 2.8L		71R6Y *	3727	37274	0.043
1995	V6 2.8L		71R6Y *	3727	37274	0.043
<b>A8</b>						
1999-97	V8 3.7L	8 CPBs Req	11R6Y	3714	37144	0.043
<b>A8 Quattro</b>						
2011-10	V8 4.2L		71R6Y *	3727	37274	0.043
2009-07	V8 4.2L		71R6Y *	3727	37274	0.043
2009-07	W12 6.0L		N/A	N/A	N/A	
2006-05	V8 4.2L		71R6Y *	3727	37274	0.043
2006-05	W12 6.0L		N/A	N/A	N/A	
2004	V8 4.2L		71R6Y *	3727	37274	0.043
2003	V8 4.2L	Eng AKB	71R6Y *	3727	37274	0.043
2003	V8 4.2L	Eng AUX	71R6Y *	3727	37274	0.043
2002	V8 4.2L		71R6Y *	3727	37274	0.043
2001	V8 4.2L		71R6Y *	3727	37274	0.043
2000	V8 4.2L		71R6Y *	3727	37274	0.043
1999-97	V8 4.2L	8 CPBs Req	71R6Y *	3727	37274	0.043
<b>Allroad Quattro</b>						
2005	V6 2.7L		71R6Y *	3727	37274	0.043
2005	V8 4.2L		71R6Y *	3727	37274	0.043
2004	V6 2.7L		71R6Y *	3727	37274	0.043
2004	V8 4.2L		71R6Y *	3727	37274	0.043

Make Model Year	Engine Size	Notes:	Plug Type	MSD PN Single	MSD PN 4-Pack	Pre-Gap Setting**
2003	V6 2.7L		71R6Y *	3727	37274	0.043
2003	V8 4.2L		71R6Y *	3727	37274	0.043
2002-01	V6 2.7L	6 CPBs Req	71R6Y *	3727	37274	0.043
<b>Cabriole</b>						
1998	V6 2.8L		N/A	N/A	N/A	
1997	V6 2.8L		N/A	N/A	N/A	
1996	V6 2.8L		71R6Y *	3727	37274	0.043
1995	V6 2.8L		71R6Y *	3727	37274	0.043
1994	V6 2.8L		N/A	N/A	N/A	
<b>Coupe</b>						
1987	L5 2.2L		N/A	N/A	N/A	
1987	L5 2.3L		N/A	N/A	N/A	
1986-85	L5 2.2L		N/A	N/A	N/A	
1984	L5 2.2L	Eng KX	N/A	N/A	N/A	
1983-81	L5 2.2L		N/A	N/A	N/A	
<b>Coupe Quattro</b>						
1991-90	L5 2.3L		71R6Y *	3727	37274	0.043
<b>Fox</b>						
1979-75	L4 1.6L		11R5Y	3733	37334	0.035
1974-73	L4 1.5L		11R5Y	3733	37334	0.035
<b>Q5</b>						
2011	L4 2.0L		N/A	N/A	N/A	
2010-09	V6 3.2L		N/A	N/A	N/A	
<b>Q7</b>						
2010-07	V6 3.6L		N/A	N/A	N/A	
2010-07	V8 4.2L		71R6Y *	3727	37274	0.043
<b>Quattro</b>						
1986-83	L5 2.2L		N/A	N/A	N/A	
<b>R8</b>						
2012-11	V8 4.2L		N/A	N/A	N/A	
2012-11	V10 5.2L		N/A	N/A	N/A	
2010	V8 4.2L		N/A	N/A	N/A	
2010	V10 5.2L		N/A	N/A	N/A	
2009-08	V8 4.2L		N/A	N/A	N/A	
<b>RS4</b>						
2008-07	V8 4.2L		N/A	N/A	N/A	
<b>RS6</b>						
2004-03	V8 4.2L		N/A	N/A	N/A	
<b>S4</b>						
2009-07	V8 4.2L		71R6Y *	3727	37274	0.043
2006-04	V8 4.2L		71R6Y *	3727	37274	0.043
2002	V6 2.7L	6 CPBs Req	71R6Y *	3727	37274	0.043
1994-92	L5 2.2L	5 CPBs Req	N/A	N/A	N/A	
<b>S5</b>						
2011	V8 4.2L		71R6Y *	3727	37274	0.043
2010	V6 3.0L		N/A	N/A	N/A	
2010	V8 4.2L		71R6Y *	3727	37274	0.043
2009-08	V8 4.2L		71R6Y *	3727	37274	0.043
<b>S6</b>						
2011-07	V10 5.2L		71R6Y *	3727	37274	0.043
2003	V8 4.2L		71R6Y *	3727	37274	0.043
2002	V8 4.2L		71R6Y *	3727	37274	0.043
1997	L5 2.2L	5 CPBs Req	N/A	N/A	N/A	
1996	L5 2.2L	5 CPBs Req	N/A	N/A	N/A	
1995	L5 2.2L	5 CPBs Req	N/A	N/A	N/A	
<b>S8</b>						
2009-07	V10 5.2L		71R6Y *	3727	37274	0.043
2003	V8 4.2L		71R6Y *	3727	37274	0.043
2002-01	V8 4.2L		71R6Y *	3727	37274	0.043
<b>Super 90</b>						
1972-69	L4 1.8L		N/A	N/A	N/A	

CPB's = Coil Plug Boots  
 \*\* Pre-gapped for optimal performance.

\* Short Style 6 Series - PN 3741 (single), PN 37414 (4pk) - Pre-gapped 0.035  
 \* Short Style 7 Series - PN 3742 (single), PN 37424 (4pk) - Pre-gapped 0.035



## Audi TT

Make Model Year	Engine Size	Notes:	Plug Type	MSD PN Single	MSD PN 4-Pack	Pre-Gap Setting**
<b>TT</b>						
2009	L4 2.0L	Eng BPY	N/A	N/A	N/A	
2009	L4 2.0L	Eng CCTA	N/A	N/A	N/A	
2008	L4 2.0L		N/A	N/A	N/A	
2006-04	L4 1.8L		71R6Y *	3727	37274	0.043
2003	L4 1.8L		N/A	N/A	N/A	
2002	L4 1.8L		71R6Y *	3727	37274	0.043
2001	L4 1.8L	Eng ATC	71R6Y *	3727	37274	0.043
2001	L4 1.8L	Eng AWP	71R6Y *	3727	37274	0.043
2000	L4 1.8L		71R6Y *	3727	37274	0.043
<b>TT Quattro</b>						
2011	L4 2.0L		N/A	N/A	N/A	
2010	L4 2.0L		N/A	N/A	N/A	
2009	L4 2.0L		N/A	N/A	N/A	
2009	V6 3.2L		N/A	N/A	N/A	
2008	V6 3.2L		N/A	N/A	N/A	
2006	L4 1.8L		71R6Y *	3727	37274	0.043
2006	V6 3.2L		N/A	N/A	N/A	
2005-04	L4 1.8L		71R6Y *	3727	37274	0.043
2005-04	V6 3.2L		N/A	N/A	N/A	
2003	L4 1.8L		71R6Y *	3727	37274	0.043
2002	L4 1.8L		71R6Y *	3727	37274	0.043
<b>V8 Quattro</b>						
1994-92	V8 4.2L		11R6Y	3714	37144	0.043
1991-90	V8 3.6L		11R5Y	3713	37134	0.043
<b>Austin America</b>						
1972	L4 1.3L		N/A	N/A	N/A	
1971-68	L4 1.3L		N/A	N/A	N/A	
<b>Healey 100-6</b>						
1960-56	L6 2.6L		111R6	3734	37344	0.032
<b>Healey 3000</b>						
1967-59	L6 2.9L		N/A	N/A	N/A	
<b>Healey Sprite</b>						
1970-67	L4 1.3L		N/A	N/A	N/A	
1966-63	L4 1.1L		N/A	N/A	N/A	
1962	L4 1.0L		N/A	N/A	N/A	
<b>Marina</b>						
1975-73	L4 1.8L		N/A	N/A	N/A	
<b>Mini</b>						
1966-60	L4 0.8L		N/A	N/A	N/A	
<b>Mini Cooper</b>						
1969-65	L4 1.3L		N/A	N/A	N/A	
1964	L4 1.0L		N/A	N/A	N/A	
1964	L4 1.1L		N/A	N/A	N/A	
1964	L4 1.3L		N/A	N/A	N/A	
1963-62	L4 1.0L		N/A	N/A	N/A	
<b>Bentley Arnage</b>						
2007	V8 6.8L	RL	71R5Y	3725	37254	0.040
2007	V8 6.8L	T	71R5Y	3725	37254	0.040
2006	V8 6.8L		71R5Y	3725	37254	0.040
2005-03	V8 6.7L		71R5Y	3725	37254	0.040
2002	V8 6.7L		71R5Y	3725	37254	0.040
2001	V8 4.4L		71R5Y	3725	37254	0.040
2001	V8 6.7L		71R5Y	3725	37254	0.040
1999	V8 4.4L		71R6Y *	3727	37274	0.043
<b>Azure</b>						
2006	V8 6.8L		71R5Y	3725	37254	0.040
2003	V8 6.7L		71R5Y	3725	37254	0.040
2002-99	V8 6.7L		71R5Y	3725	37254	0.040
1998-96	V8 6.7L		71R5Y	3725	37254	0.040

Make Model Year	Engine Size	Notes:	Plug Type	MSD PN Single	MSD PN 4-Pack	Pre-Gap Setting**
<b>Brooklands</b>						
1998-96	V8 6.7L		71R5Y	3725	37254	0.040
1995-94	V8 6.7L		71R5Y	3725	37254	0.040
1993	V8 6.7L		111R5Y	3733	37334	0.035
<b>Continental</b>						
2007	W12 6.0L	Flying Spur	71R6Y *	3727	37274	0.043
2007	W12 6.0L	GT	71R6Y *	3727	37274	0.043
2006-04	W12 6.0L		71R6Y *	3727	37274	0.043
2003	V8 6.7L		71R5Y	3725	37254	0.040
2003	W12 6.0L		71R5Y	3725	37254	0.040
2002-98	V8 6.7L		71R5Y	3725	37254	0.040
1997	V8 6.8L		71R5Y	3725	37254	0.040
1996	V8 6.7L		71R5Y	3725	37254	0.040
1995-94	V8 6.7L	CARB	71R5Y	3725	37254	0.040
1995-94	V8 6.7L	FI	71R5Y	3725	37254	0.040
1993	V8 6.7L		111R5Y	3733	37334	0.035
1992	V8 6.7L		111R5Y	3733	37334	0.035
1991-88	V8 6.7L		111R5Y	3733	37334	0.035
1987	V8 6.7L		111R5Y	3733	37334	0.035
1986	V8 6.7L		111R5Y	3733	37334	0.035
1985	V8 6.7L		111R5Y	3733	37334	0.035
<b>Corniche</b>						
1984	V8 6.7L		111R5Y	3733	37334	0.035
1983-82	V8 6.8L		111R5Y	3733	37334	0.035
1980-71	V8 6.8L		111R5Y	3733	37334	0.035
<b>Eight</b>						
1991-87	V8 6.7L		111R5Y	3733	37334	0.035
1986	V8 6.8L		111R5Y	3733	37334	0.035
1984	V8 6.8L		111R5Y	3733	37334	0.035
<b>Mulsanne</b>						
1992-88	V8 6.7L		111R5Y	3733	37334	0.035
1987	V8 6.8L		111R5Y	3733	37334	0.035
1986-84	V8 6.7L		111R5Y	3733	37334	0.035
1983-81	V8 6.8L		111R5Y	3733	37334	0.035
<b>T1 Series</b>						
1976-71	V8 6.8L		111R5Y	3733	37334	0.035
1970-68	V8 6.2L		111R5Y	3733	37334	0.035
<b>T2 Series</b>						
1980-79	V8 6.7L		111R5Y	3733	37334	0.035
1980-79	V8 6.8L		111R5Y	3733	37334	0.035
1978-77	V8 6.8L		111R5Y	3733	37334	0.035
<b>Turbo R</b>						
1998-96	V8 6.7L		71R5Y	3725	37254	0.040
1995-94	V8 6.7L		71R5Y	3725	37254	0.040
1993-89	V8 6.7L		111R5Y	3733	37334	0.035
1988	V8 6.8L		111R5Y	3733	37334	0.035
<b>Bertone X-1/9</b>						
1989-86	L4 1.5L		N/A	N/A	N/A	
1985-84	L4 1.5L		N/A	N/A	N/A	
1985-84	L4 2.0L		N/A	N/A	N/A	
<b>BMW 2.8 Bavaria</b>						
1971	L6 2.8L		111R5Y	3733	37334	0.035
<b>3.0CS</b>						
1974-71	L6 3.0L		111R5Y	3733	37334	0.035
<b>3.0CSI</b>						
1974-71	L6 3.0L		111R5Y	3733	37334	0.035
<b>3.0CSL</b>						
1971	L6 3.0L		111R5Y	3733	37334	0.035
<b>3.0S</b>						
1974-71	L6 3.0L		111R5Y	3733	37334	0.035

\* Short Style 6 Series - PN 3741 (single), PN 37414 (4pk) - Pre-gapped 0.035  
 \* Short Style 7 Series - PN 3742 (single), PN 37424 (4pk) - Pre-gapped 0.035

CPB's = Coil Plug Boots  
 \*\* Pre-gapped for optimal performance.





Make Model Year	Engine Size	Notes:	Plug Type	MSD PN Single	MSD PN 4-Pack	Pre-Gap Setting**
<b>3.0Si</b>						
1976-75	L6 3.0L		11R5Y	3733	37334	0.035
1971	L6 3.0L		11R5Y	3733	37334	0.035
<b>128i</b>						
2009-08	L6 3.0L		N/A	N/A	N/A	
<b>318i</b>						
1999-96	L4 1.9L		7IR6Y *	3727	37274	0.043
1995-91	L4 1.8L		7IR6Y *	3727	37274	0.043
1985-84	L4 1.8L		11R5Y	3733	37334	0.035
<b>318is</b>						
1999-96	L4 1.9L		7IR6Y *	3727	37274	0.043
1995-91	L4 1.8L		7IR6Y *	3727	37274	0.043
<b>318ti</b>						
1999-96	L4 1.9L		7IR6Y *	3727	37274	0.043
1995	L4 1.8L		7IR6Y *	3727	37274	0.043
<b>320i</b>						
2005-03	L6 2.2L		7IR6Y *	3727	37274	0.043
2002	L6 2.2L	To 9/02; 6 CPBs Req	7IR6Y *	3727	37274	0.043
2001	L6 2.2L	6 CPBs Req	7IR6Y *	3727	37274	0.043
1995-92	L6 2.0L	6 CPBs Req	7IR6Y *	3727	37274	0.043
1983-80	L4 1.8L		11R5Y	3733	37334	0.035
1979-77	L4 2.0L		11R5Y	3733	37334	0.035
<b>323Ci</b>						
2000	L6 2.5L	6 CPBs Req	7IR6Y *	3727	37274	0.043
<b>323i</b>						
2009-08	L6 2.5L		N/A	N/A	N/A	
2007-06	L6 2.5L		N/A	N/A	N/A	
2000-98	L6 2.5L	6 CPBs Req	7IR6Y *	3727	37274	0.043
<b>323is</b>						
1999-98	L6 2.5L	6 CPBs Req	7IR6Y *	3727	37274	0.043
<b>325</b>						
1988-86	L6 2.7L		11R5Y	3733	37334	0.035
<b>325Ci</b>						
2006-03	L6 2.5L		7IR6Y *	3727	37274	0.043
2002	L6 2.5L	To 9/02; 6 CPBs Req	7IR6Y *	3727	37274	0.043
2001	L6 2.5L	6 CPBs Req	7IR6Y *	3727	37274	0.043
<b>325e</b>						
1987-85	L6 2.7L		11R5Y	3733	37334	0.035
1984	L6 2.7L	w/Ign. Upgrade	11R5Y	3733	37334	0.035
1984	L6 2.7L	w/o Ign. Upgrade	11R5Y	3733	37334	0.035
<b>325es</b>						
1987-86	L6 2.7L		11R5Y	3733	37334	0.035
<b>325i</b>						
2006	L6 3.0L		N/A	N/A	N/A	
2005-03	L6 2.5L		7IR6Y *	3727	37274	0.043
2002	L6 2.5L	To 9/02; 6 CPBs Req	7IR6Y *	3727	37274	0.043
2001	L6 2.5L	6 CPBs Req	7IR6Y *	3727	37274	0.043
1995-94	L6 2.5L	6 CPBs Req	7IR6Y *	3727	37274	0.043
1993	L6 2.5L	Eng M20 6 CPBs Req	11R5Y	3733	37334	0.035
1993	L6 2.5L	Eng M50TU 6 CPBs Req	7IR6Y *	3727	37274	0.043
1992	L6 2.5L	Eng M20 6 CPBs Req	11R5Y	3733	37334	0.035
1992	L6 2.5L	Eng M50 6 CPBs Req	7IR6Y *	3727	37274	0.043
1991-88	L6 2.5L		11R5Y	3733	37334	0.035
1987	L6 2.5L		11R5Y	3733	37334	0.035
<b>325is</b>						
1995-92	L6 2.5L	6 CPBs Req	7IR6Y *	3727	37274	0.043
1991-88	L6 2.5L		11R5Y	3733	37334	0.035
1987	L6 2.5L		11R5Y	3733	37334	0.035
<b>325iX</b>						
1991-88	L6 2.5L		11R5Y	3733	37334	0.035

Make Model Year	Engine Size	Notes:	Plug Type	MSD PN Single	MSD PN 4-Pack	Pre-Gap Setting**
<b>325xi</b>						
2006	L6 3.0L		N/A	N/A	N/A	
2005-03	L6 2.5L		7IR6Y *	3727	37274	0.043
2002	L6 2.5L	To 9/02; 6 CPBs Req	7IR6Y *	3727	37274	0.043
2001	L6 2.5L	6 CPBs Req	7IR6Y *	3727	37274	0.043
<b>328Ci</b>						
2000	L6 2.8L	6 CPBs Req	7IR6Y *	3727	37274	0.043
<b>328i</b>						
2009-08	L6 3.0L		N/A	N/A	N/A	
2007	L6 3.0L		N/A	N/A	N/A	
2000-96	L6 2.8L	6 CPBs Req	7IR6Y *	3727	37274	0.043
<b>328is</b>						
1999-96	L6 2.8L	6 CPBs Req	7IR6Y *	3727	37274	0.043
<b>328i xDrive</b>						
2009	L6 3.0L		N/A	N/A	N/A	
<b>328xi</b>						
2008	L6 3.0L		N/A	N/A	N/A	
2007	L6 3.0L		N/A	N/A	N/A	
<b>330Ci</b>						
2006-03	L6 3.0L		7IR6Y *	3727	37274	0.043
2002	L6 3.0L	To 9/02; 6 CPBs Req	7IR6Y *	3727	37274	0.043
2001	L6 3.0L	6 CPBs Req	7IR6Y *	3727	37274	0.043
<b>330i</b>						
2006	L6 3.0L		N/A	N/A	N/A	
2005-03	L6 3.0L		7IR6Y *	3727	37274	0.043
2002	L6 3.0L	To 9/02; 6 CPBs Req	7IR6Y *	3727	37274	0.043
2001	L6 3.0L	6 CPBs Req	7IR6Y *	3727	37274	0.043
<b>330xi</b>						
2006	L6 3.0L		N/A	N/A	N/A	
2005-03	L6 3.0L		7IR6Y *	3727	37274	0.043
2002	L6 3.0L	To 9/02; 6 CPBs Req	7IR6Y *	3727	37274	0.043
2001	L6 3.0L	6 CPBs Req	7IR6Y *	3727	37274	0.043
<b>524td</b>						
1986-85	L6 2.4L		N/A	N/A	N/A	
<b>525i</b>						
2007-06	L6 3.0L		N/A	N/A	N/A	
2005-03	L6 2.5L		7IR6Y *	3727	37274	0.043
2002	L6 2.5L	To 9/02; 6 CPBs Req	7IR6Y *	3727	37274	0.043
2001	L6 2.5L	6 CPBs Req	7IR6Y *	3727	37274	0.043
1995-91	L6 2.5L	6 CPBs Req	7IR6Y *	3727	37274	0.043
1990-89	L6 2.5L		11R5Y	3733	37334	0.035
<b>525iT</b>						
1993	L6 2.5L	6 CPBs Req	7IR6Y *	3727	37274	0.043
<b>525xi</b>						
2007-06	L6 3.0L		N/A	N/A	N/A	
<b>528e</b>						
1988-85	L6 2.7L		11R5Y	3733	37334	0.035
1984-82	L6 2.7L	w/Ign. Upgrade	11R5Y	3733	37334	0.035
1984-82	L6 2.7L	w/o Ign. Upgrade	11R5Y	3733	37334	0.035
<b>528i</b>						
2010-08	L6 3.0L		N/A	N/A	N/A	
2000-97	L6 2.8L	6 CPBs Req	7IR6Y *	3727	37274	0.043
1981-79	L6 2.8L		11R5Y	3733	37334	0.035
<b>528i xDrive</b>						
2010-09	L6 3.0L		N/A	N/A	N/A	
<b>528xi</b>						
2008	L6 3.0L		N/A	N/A	N/A	
<b>530i</b>						
2007-06	L6 3.0L		N/A	N/A	N/A	
2005-03	L6 3.0L		7IR6Y *	3727	37274	0.043
2002	L6 3.0L	To 9/02; 6 CPBs Req	7IR6Y *	3727	37274	0.043

CPB's = Coil Plug Boots  
 \*\* Pre-gapped for optimal performance.

\* Short Style 6 Series - PN 3741 (single), PN 37414 (4pk) - Pre-gapped 0.035  
 \* Short Style 7 Series - PN 3742 (single), PN 37424 (4pk) - Pre-gapped 0.035

**B**



**BMW 530i continued**

Make Model Year	Engine Size	Notes:	Plug Type	MSD PN Single	MSD PN 4-Pack	Pre-Gap Setting**
2001	L6 3.0L	6 CPBs Req	71R6Y *	3727	37274	0.043
1995-94	V8 3.0L	8 CPBs Req	71R6Y *	3727	37274	0.043
1978-75	L6 3.0L		111R5Y	3733	37334	0.035
<b>530xi</b>						
2007-06	L6 3.0L		N/A	N/A	N/A	
<b>533i</b>						
1984-83	L6 3.2L		111R5Y	3733	37334	0.035
<b>535i</b>						
1993-89	L6 3.5L		111R5Y	3733	37334	0.035
1988-85	L6 3.5L		111R5Y	3733	37334	0.035
<b>535is</b>						
1988	L6 3.5L		111R5Y	3733	37334	0.035
<b>540i</b>						
2003-98	V8 4.4L	8 CPBs Req	71R6Y *	3727	37274	0.043
1997	V8 4.4L	8 CPBs Req	71R6Y *	3727	37274	0.043
1995-94	V8 4.0L	8 CPBs Req	71R6Y *	3727	37274	0.043
<b>545i</b>						
2005-04	V8 4.4L		71R6Y *	3727	37274	0.043
<b>550i</b>						
2010-06	V8 4.8L		N/A	N/A	N/A	
<b>630CSi</b>						
1978-77	L6 3.0L		111R5Y	3733	37334	0.035
1984-78	L6 3.2L		111R5Y	3733	37334	0.035
1989-88	L6 3.5L		111R5Y	3733	37334	0.035
1987-85	L6 3.5L		111R5Y	3733	37334	0.035
<b>645Ci</b>						
2005-04	V8 4.4L		71R6Y *	3727	37274	0.043
<b>650i</b>						
2010-06	V8 4.8L		N/A	N/A	N/A	
<b>733i</b>						
1984-78	L6 3.2L		111R5Y	3733	37334	0.035
<b>735i</b>						
1992-88	L6 3.5L		111R5Y	3733	37334	0.035
1987	L6 3.5L		111R5Y	3733	37334	0.035
1986-85	L6 3.5L		111R5Y	3733	37334	0.035
<b>735iL</b>						
1992-88	L6 3.5L		111R5Y	3733	37334	0.035
<b>740i</b>						
2001-98	V8 4.4L	8 CPBs Req	71R6Y *	3727	37274	0.043
1997	V8 4.4L	8 CPBs Req	71R6Y *	3727	37274	0.043
1995-93	V8 4.0L	8 CPBs Req	71R6Y *	3727	37274	0.043
<b>740iL</b>						
2001-98	V8 4.4L	8 CPBs Req	71R6Y *	3727	37274	0.043
1997-96	V8 4.4L	8 CPBs Req	71R6Y *	3727	37274	0.043
1995-93	V8 4.0L	8 CPBs Req	71R6Y *	3727	37274	0.043
<b>745i</b>						
2005-02	V8 4.4L		71R6Y *	3727	37274	0.043
<b>745Li</b>						
2005-02	V8 4.4L		71R6Y *	3727	37274	0.043
<b>750i</b>						
2008-06	V8 4.8L		N/A	N/A	N/A	
<b>750iL</b>						
2001-99	V12 5.4L		71R6Y *	3727	37274	0.043
1998	V12 5.4L Eng M73		81R5L	3728	37284	0.040
1998	V12 5.4L Eng M73N		71R6Y *	3727	37274	0.043
1997	V12 5.4L		81R5L	3728	37284	0.040
1996-95	V12 5.4L		81R5L	3728	37284	0.040
1994-88	V12 5.0L		81R5L	3728	37284	0.040
<b>750Li</b>						
2008-06	V8 4.8L		N/A	N/A	N/A	
<b>760i</b>						
2006-04	V12 6.0L		71R6Y *	3727	37274	0.043

Make Model Year	Engine Size	Notes:	Plug Type	MSD PN Single	MSD PN 4-Pack	Pre-Gap Setting**
<b>760Li</b>						
2008-03	V12 6.0L		71R6Y *	3727	37274	0.043
<b>840Ci</b>						
1997-96	V8 4.4L	8 CPBs Req	71R6Y *	3727	37274	0.043
1995-94	V8 4.0L	8 CPBs Req	71R6Y *	3727	37274	0.043
<b>850Ci</b>						
1997-95	V12 5.4L		81R5L	3728	37284	0.040
1994-93	V12 5.0L		81R5L	3728	37284	0.040
<b>850CSi</b>						
1995-94	V12 5.6L		81R5L	3728	37284	0.040
<b>850i</b>						
1992-91	V12 5.0L		81R5L	3728	37284	0.040
<b>1600</b>						
1971-64	L4 1.6L		N/A	N/A	N/A	
<b>1600-2</b>						
1971-66	L4 1.6L		N/A	N/A	N/A	
<b>1600ti</b>						
1968-66	L4 1.6L		N/A	N/A	N/A	
<b>1602</b>						
1971-67	L4 1.6L		N/A	N/A	N/A	
<b>1800</b>						
1971-68	L4 1.8L		N/A	N/A	N/A	
<b>1802</b>						
1971	L4 1.8L		N/A	N/A	N/A	
<b>2000</b>						
1972-66	L4 2.0L		N/A	N/A	N/A	
<b>2000c</b>						
1969-68	L4 2.0L		N/A	N/A	N/A	
<b>2000cs</b>						
1969-68	L4 2.0L		N/A	N/A	N/A	
<b>2000ti</b>						
1971-68	L4 2.0L		N/A	N/A	N/A	
<b>2000tii</b>						
1972-68	L4 2.0L		N/A	N/A	N/A	
<b>2002</b>						
1976-66	L4 2.0L		N/A	N/A	N/A	
<b>2002ti</b>						
1971-68	L4 2.0L		N/A	N/A	N/A	
<b>2002tii</b>						
1974-71	L4 2.0L		N/A	N/A	N/A	
<b>2800</b>						
1974-68	L6 2.8L		111R5Y	3733	37334	0.035
<b>2800CS</b>						
1971-68	L6 2.8L		N/A	N/A	N/A	
<b>Alpina B7</b>						
2008-07	V8 4.4L		N/A	N/A	N/A	
<b>Bavaria</b>						
1974-72	L6 3.0L		111R5Y	3733	37334	0.035
<b>L6</b>						
1987	L6 3.5L		111R5Y	3733	37334	0.035
<b>L7</b>						
1987-86	L6 3.5L		111R5Y	3733	37334	0.035
<b>M3</b>						
2011-08	V8 4.0L		N/A	N/A	N/A	
2006-01	L6 3.2L		N/A	N/A	N/A	
1999-96	L6 3.2L	6 CPBs Req	71R6Y *	3727	37274	0.043
1995-94	L6 3.0L	6 CPBs Req	71R6Y *	3727	37274	0.043
1991-88	L4 2.3L		N/A	N/A	N/A	

\* Short Style 6 Series - PN 3741 (single), PN 37414 (4pk) - Pre-gapped 0.035  
 \* Short Style 7 Series - PN 3742 (single), PN 37424 (4pk) - Pre-gapped 0.035

CPB's = Coil Plug Boots  
 \*\* Pre-gapped for optimal performance.



Make Model Year	Engine Size	Notes:	Plug Type	MSD PN Single	MSD PN 4-Pack	Pre-Gap Setting**
<b>M5</b>						
2010-06	V10 5.0L		N/A	N/A	N/A	
2003	V8 5.0L	8 CPBs Req	7IR6Y *	3727	37274	0.043
2002	V8 5.0L	8 CPBs Req	7IR6Y *	3727	37274	0.043
1993-91	L6 3.6L		N/A	N/A	N/A	
1988	L6 3.5L		N/A	N/A	N/A	
<b>M6</b>						
2010-06	V10 5.0L		N/A	N/A	N/A	
1988-87	L6 3.5L		N/A	N/A	N/A	
<b>X3</b>						
2009-08	L6 3.0L		N/A	N/A	N/A	
2007	L6 3.0L		N/A	N/A	N/A	
2006-04	L6 2.5L		7IR6Y *	3727	37274	0.043
2006-04	L6 3.0L		7IR6Y *	3727	37274	0.043
<b>X5</b>						
2010	V8 4.8L		N/A	N/A	N/A	
2009	L6 3.0L	GAS	N/A	N/A	N/A	
2009	V8 4.8L		N/A	N/A	N/A	
2008	L6 3.0L		N/A	N/A	N/A	
2008	V8 4.8L		N/A	N/A	N/A	
2007	L6 3.0L		N/A	N/A	N/A	
2007	V8 4.8L		N/A	N/A	N/A	
2006-05	L6 3.0L		7IR6Y *	3727	37274	0.043
2006-05	V8 4.4L		7IR6Y *	3727	37274	0.043
2006-05	V8 4.8L		N/A	N/A	N/A	
2004	L6 3.0L		7IR6Y *	3727	37274	0.043
2004	V8 4.4L	8 CPBs Req	7IR6Y *	3727	37274	0.043
2004	V8 4.8L		N/A	N/A	N/A	
2003	L6 3.0L		7IR6Y *	3727	37274	0.043
2003	V8 4.4L	8 CPBs Req	7IR6Y *	3727	37274	0.043
2003	V8 4.6L	8 CPBs Req	7IR6Y *	3727	37274	0.043
2002	L6 3.0L	To 10/02; 6 CPBs Req	7IR6Y *	3727	37274	0.043
2002	V8 4.4L	8 CPBs Req	7IR6Y *	3727	37274	0.043
2002	V8 4.6L	8 CPBs Req	7IR6Y *	3727	37274	0.043
2001	L6 3.0L	6 CPBs Req	7IR6Y *	3727	37274	0.043
2001	V8 4.4L	8 CPBs Req	7IR6Y *	3727	37274	0.043
2000	V8 4.4L	8 CPBs Req	7IR6Y *	3727	37274	0.043
<b>Z3</b>						
2002-01	L6 2.5L	6 CPBs Req	7IR6Y *	3727	37274	0.043
2002-01	L6 3.0L	6 CPBs Req	7IR6Y *	3727	37274	0.043
2002-01	L6 3.2L		N/A	N/A	N/A	
2000-99	L6 2.5L	6 CPBs Req	7IR6Y *	3727	37274	0.043
2000-99	L6 2.8L	6 CPBs Req	7IR6Y *	3727	37274	0.043
2000-99	L6 3.2L	6 CPBs Req	7IR6Y *	3727	37274	0.043
1998	L4 1.9L		7IR6Y *	3727	37274	0.043
1998	L6 2.8L	6 CPBs Req	7IR6Y *	3727	37274	0.043
1998	L6 3.2L	6 CPBs Req	7IR6Y *	3727	37274	0.043
1997	L4 1.9L		7IR6Y *	3727	37274	0.043
1997	L6 2.8L	6 CPBs Req	7IR6Y *	3727	37274	0.043
1996	L4 1.9L		7IR6Y *	3727	37274	0.043
<b>Z4</b>						
2009	L6 3.0L	Naturally Aspirated	N/A	N/A	N/A	
2008	L6 3.0L		N/A	N/A	N/A	
2008	L6 3.2L		N/A	N/A	N/A	
2007-06	L6 3.0L		N/A	N/A	N/A	
2007-06	L6 3.2L		N/A	N/A	N/A	
2005-03	L6 2.5L		7IR6Y *	3727	37274	0.043
2005-03	L6 3.0L		7IR6Y *	3727	37274	0.043
<b>Z8</b>						
2003	V8 4.8L	8 CPBs Req	7IR6Y *	3727	37274	0.043
2003	V8 5.0L	8 CPBs Req	7IR6Y *	3727	37274	0.043
2002	V8 5.0L	8 CPBs Req	7IR6Y *	3727	37274	0.043

CPB's = Coil Plug Boots  
 \*\* Pre-gapped for optimal performance.

Make Model Year	Engine Size	Notes:	Plug Type	MSD PN Single	MSD PN 4-Pack	Pre-Gap Setting**
<b>Bugatti</b>						
<b>Veyron 16.4</b>						
2006	W16 8.0L		N/A	N/A	N/A	
<b>Buick</b>						
<b>Allure</b>						
2009	V6 3.8L		N/A	N/A	N/A	
2009	V8 5.3L		1IR5L	3712	37124	0.047
2008	V6 3.6L		5IR6Y	3743	37434	0.032
2008	V6 3.8L		N/A	N/A	N/A	
2008	V8 5.3L		1IR5L	3712	37124	0.047
2007-06	V6 3.6L		5IR6Y	3743	37434	0.032
2007-06	V6 3.8L		N/A	N/A	N/A	
2005	V6 3.6L		5IR5Y	3719	37194	0.040
2005	V6 3.8L		1IR4Y	3711	37114	0.047
<b>Apollo</b>						
1975	L6 4.1L		6IR5Y	3722	37224	0.035
1975	V8 4.3L		15IR4Y	3738	37384	0.035
1975	V8 5.7L		6IR4Y	3720	37204	0.035
1974-73	L6 4.1L		6IR5	3721	37214	0.035
1974-73	V8 5.7L		6IR4Y	3720	37204	0.035
<b>Centurion</b>						
1973-72	V8 5.7L		6IR4Y	3720	37204	0.035
1973-72	V8 7.5L		6IR4Y	3720	37204	0.035
1971	V8 7.5L		6IR4Y	3720	37204	0.035
<b>Century</b>						
2005-02	V6 3.1L		N/A	N/A	N/A	
2001-97	V6 3.1L		1IR4Y	3711	37114	0.047
1996	L4 2.2L		N/A	N/A	N/A	
1996	V6 3.1L		1IR4Y	3711	37114	0.047
1995-94	L4 2.2L		N/A	N/A	N/A	
1995-94	V6 3.1L		1IR4Y	3711	37114	0.047
1993	L4 2.2L		1IR4Y	3711	37114	0.047
1993	V6 3.3L		1IR5Y	3713	37134	0.043
1992-90	L4 2.5L		6IR5Y	3722	37224	0.035
1992-90	V6 3.3L		1IR5Y	3713	37134	0.043
1989	L4 2.5L		6IR5Y	3722	37224	0.035
1989	V6 2.8L		1IR4Y	3711	37114	0.047
1989	V6 3.3L		1IR5Y	3713	37134	0.043
1988-87	L4 2.5L		6IR5Y	3722	37224	0.035
1988-87	V6 2.8L		1IR4Y	3711	37114	0.047
1988-87	V6 3.8L		1IR5Y	3713	37134	0.043
1986	L4 2.5L		6IR5Y	3722	37224	0.035
1986	V6 2.8L		6IR5Y	3722	37224	0.035
1986	V6 3.8L		1IR5Y	3713	37134	0.043
1985-84	L4 2.5L		6IR5Y	3722	37224	0.035
1985-84	V6 2.8L		6IR5Y	3722	37224	0.035
1985-84	V6 3.0L		6IR4Y	3720	37204	0.035
1985-84	V6 3.8L		6IR4Y	3720	37204	0.035
1983	L4 2.5L		6IR4Y	3720	37204	0.035
1983	V6 2.8L		6IR5Y	3722	37224	0.035
1983	V6 3.0L		6IR4Y	3720	37204	0.035
1982	L4 2.5L		6IR4Y	3720	37204	0.035
1982	V6 3.0L		6IR4Y	3720	37204	0.035
1981	V6 3.8L		6IR4Y	3720	37204	0.035
1981	V8 4.3L		6IR4Y	3720	37204	0.035
1981	V8 4.4L		6IR4Y	3720	37204	0.035
1981	V8 5.0L		6IR4Y	3720	37204	0.035
1980	V6 3.8L	Naturally Aspirated	6IR4Y	3720	37204	0.035
1980	V6 3.8L	Turbo	6IR4Y	3720	37204	0.035
1980	V8 4.3L		6IR4Y	3720	37204	0.035
1980	V8 4.9L		6IR4Y	3720	37204	0.035
1980	V8 5.0L		6IR4Y	3720	37204	0.035
1979	V6 3.2L		6IR4Y	3720	37204	0.035
1979	V6 3.8L		6IR4Y	3720	37204	0.035
1979	V8 4.9L		6IR4Y	3720	37204	0.035
1979	V8 5.0L		6IR4Y	3720	37204	0.035
1979	V8 5.7L		6IR4Y	3720	37204	0.035
1978	V6 3.2L		6IR4Y	3720	37204	0.035

\* Short Style 6 Series - PN 3741 (single), PN 37414 (4pk) - Pre-gapped 0.035  
 \* Short Style 7 Series - PN 3742 (single), PN 37424 (4pk) - Pre-gapped 0.035





**Buick Century continued**

Make Model Year	Engine Size	Notes:	Plug Type	MSD PN Single	MSD PN 4-Pack	Pre-Gap Setting**
1978	V6 3.8L		6IR4Y	3720	37204	0.035
1978	V8 5.0L		6IR4Y	3720	37204	0.035
1978	V8 5.7L		6IR4Y	3720	37204	0.035
1977	V6 3.8L		6IR4Y	3720	37204	0.035
1977	V8 5.0L		6IR4Y	3720	37204	0.035
1977	V8 5.7L	Vin H	6IR4Y	3720	37204	0.035
1977	V8 5.7L	Vin J	6IR4Y	3720	37204	0.035
1977	V8 5.7L	Vin L	6IR4Y	3720	37204	0.035
1977	V8 5.7L	Vin R	15IR4Y	3738	37384	0.035
1977	V8 6.6L		15IR4Y	3738	37384	0.035
1976-75	V6 3.8L		15IR4Y	3738	37384	0.035
1976-75	V8 5.7L		6IR4Y	3720	37204	0.035
1974-73	V8 5.7L		6IR4Y	3720	37204	0.035
1974-73	V8 7.5L		6IR4Y	3720	37204	0.035
1958-57	V8 6.0L		15IR4Y	3738	37384	0.035
1956-54	V8 5.3L		15IR4Y	3738	37384	0.035
<b>Electra</b>						
1990-88	V6 3.8L		1IR5Y	3713	37134	0.043
1987-86	V6 3.8L		1IR5Y	3713	37134	0.043
1987-86	V8 5.0L		7IR4Y	3724	37244	0.040
1985	V6 3.0L		6IR4Y	3720	37204	0.035
1985	V6 3.8L		6IR4Y	3720	37204	0.035
1985	V8 5.0L		7IR4Y	3724	37244	0.040
1984-82	V6 4.1L		6IR4Y	3720	37204	0.035
1984-82	V8 5.0L		15IR4Y	3738	37384	0.035
1981	V6 4.1L		6IR4Y	3720	37204	0.035
1981	V8 5.0L		15IR4Y	3738	37384	0.035
1981	V8 5.7L	GAS	6IR4Y	3720	37204	0.035
1980	V6 4.1L		6IR4Y	3720	37204	0.035
1980	V8 4.9L		6IR4Y	3720	37204	0.035
1980	V8 5.7L	Vin R	15IR4Y	3738	37384	0.035
1980	V8 5.7L	Vin X	6IR4Y	3720	37204	0.035
1979	V8 5.7L	Vin R	15IR4Y	3738	37384	0.035
1979	V8 5.7L	Vin X	6IR4Y	3720	37204	0.035
1979	V8 6.6L		15IR4Y	3738	37384	0.035
1978	V8 5.7L	Vin R	15IR4Y	3738	37384	0.035
1978	V8 5.7L	Vin X	6IR4Y	3720	37204	0.035
1978	V8 6.6L		6IR4Y	3720	37204	0.035
1977	V8 5.7L	Vin H	6IR4Y	3720	37204	0.035
1977	V8 5.7L	Vin J	6IR4Y	3720	37204	0.035
1977	V8 5.7L	Vin R	15IR4Y	3738	37384	0.035
1977	V8 6.6L		15IR4Y	3738	37384	0.035
1976	V8 7.5L		15IR4Y	3738	37384	0.035
1975	V8 7.5L		6IR4Y	3720	37204	0.035
1974-72	V8 7.5L		6IR4Y	3720	37204	0.035
1971-70	V8 7.5L		6IR4Y	3720	37204	0.035
1969-67	V8 7.0L		6IR4Y	3720	37204	0.035
1966	V8 6.6L		15IR5Y	3739	37394	0.035
1966	V8 7.0L		15IR5Y	3739	37394	0.035
1965	V8 6.6L		15IR4Y	3738	37384	0.035
1965	V8 7.0L		15IR5Y	3739	37394	0.035
1964-59	V8 6.6L		15IR4Y	3738	37384	0.035
<b>Enclave</b>						
2013	V6 3.6L	LLT	5IR6Y	3743	37434	0.032
2012	V6 3.6L	LLT	5IR6Y	3743	37434	0.032
2011-08	V6 3.6L		5IR6Y	3743	37434	0.032
<b>Estate Wagon</b>						
1989-87	V8 5.0L		7IR4Y	3724	37244	0.040
1979-78	V8 5.7L	Vin R	15IR4Y	3738	37384	0.035
1979-78	V8 5.7L	Vin X	6IR4Y	3720	37204	0.035
1979-78	V8 6.6L		15IR4Y	3738	37384	0.035
1977	V8 5.7L		15IR4Y	3738	37384	0.035
1977	V8 6.6L		15IR4Y	3738	37384	0.035
1976	V8 7.5L		15IR4Y	3738	37384	0.035
1975	V8 7.5L		6IR4Y	3720	37204	0.035
1974	V8 7.5L	Vin T	6IR4Y	3720	37204	0.035
1974	V8 7.5L	Vin U	6IR4Y	3720	37204	0.035
1974	V8 7.5L	Vin W	6IR4Y	3720	37204	0.035
1973-72	V8 5.7L		6IR4Y	3720	37204	0.035
1973-72	V8 7.5L		6IR4Y	3720	37204	0.035

Make Model Year	Engine Size	Notes:	Plug Type	MSD PN Single	MSD PN 4-Pack	Pre-Gap Setting**
1971	V8 7.5L		6IR4Y	3720	37204	0.035
1970	V8 5.7L		6IR4Y	3720	37204	0.035
1970	V8 7.5L		6IR4Y	3720	37204	0.035
<b>Gran Sport</b>						
1967	V8 5.6L		15IR4Y	3738	37384	0.035
1967	V8 6.6L		6IR4Y	3720	37204	0.035
1966	V8 6.6L		15IR5Y	3739	37394	0.035
1965	V8 6.6L		15IR4Y	3738	37384	0.035
<b>GS</b>						
1972	V8 5.7L		6IR4Y	3720	37204	0.035
1971-70	V8 5.7L		6IR4Y	3720	37204	0.035
<b>GS 350</b>						
1969-68	V8 5.7L		6IR4Y	3720	37204	0.035
<b>GS 400</b>						
1969-68	V8 6.6L		6IR4Y	3720	37204	0.035
<b>GS 455</b>						
1972	V8 7.5L		6IR4Y	3720	37204	0.035
1971-70	V8 7.5L		6IR4Y	3720	37204	0.035
<b>Invicta</b>						
1963-59	V8 6.6L		15IR4Y	3738	37384	0.035
<b>LaCrosse</b>						
2013	L4 2.4L	LUK	5IR5Y	3719	37194	0.040
2013	V6 3.6L	LFX	5IR6Y	3743	37434	0.032
2012	L4 2.4L	LUK	5IR5Y	3719	37194	0.040
2012	V6 3.6L	LFX	5IR6Y	3743	37434	0.032
2011	L4 2.4L	LAF	5IR5Y	3719	37194	0.040
2011	V6 3.6L	LLT	5IR6Y	3743	37434	0.032
2010	L4 2.4L		5IR5Y	3719	37194	0.040
2010	V6 3.0L		5IR6Y	3743	37434	0.032
2010	V6 3.6L		5IR6Y	3743	37434	0.032
2009	V6 3.8L		N/A	N/A	N/A	
2009	V8 5.3L		1IR5L	3712	37124	0.047
2008	V6 3.6L		5IR6Y	3743	37434	0.032
2008	V6 3.8L		N/A	N/A	N/A	
2008	V8 5.3L		1IR5L	3712	37124	0.047
2007-06	V6 3.6L		5IR6Y	3743	37434	0.032
2007-06	V6 3.8L		N/A	N/A	N/A	
2005	V6 3.6L		5IR6Y	3743	37434	0.032
2005	V6 3.8L		N/A	N/A	N/A	
<b>LeSabre</b>						
2005-02	V6 3.8L		N/A	N/A	N/A	
2001-94	V6 3.8L		1IR4Y	3711	37114	0.047
1993-91	V6 3.8L		1IR5Y	3713	37134	0.043
1990-89	V6 3.8L		1IR5Y	3713	37134	0.043
1990-89	V8 5.0L		7IR4Y	3724	37244	0.040
1988	V6 3.8L	Vin 3	1IR5Y	3713	37134	0.043
1988	V6 3.8L	Vin C	1IR5Y	3713	37134	0.043
1988	V8 5.0L		7IR4Y	3724	37244	0.040
1987	V6 3.8L		1IR5Y	3713	37134	0.043
1986	V6 3.0L		1IR5Y	3713	37134	0.043
1986	V6 3.8L	Vin 3	1IR5Y	3713	37134	0.043
1986	V8 5.0L		7IR4Y	3724	37244	0.040
1985	V6 3.8L		6IR4Y	3720	37204	0.035
1985	V8 5.0L		7IR4Y	3724	37244	0.040
1984-83	V6 3.8L		6IR4Y	3720	37204	0.035
1984-83	V6 4.1L		6IR4Y	3720	37204	0.035
1984-83	V8 5.0L		15IR4Y	3738	37384	0.035
1982	V6 3.8L		6IR4Y	3720	37204	0.035
1982	V6 4.1L		6IR4Y	3720	37204	0.035
1982	V8 4.4L		6IR4Y	3720	37204	0.035
1982	V8 5.0L		15IR4Y	3738	37384	0.035
1981	V6 3.8L		6IR4Y	3720	37204	0.035
1981	V6 4.1L		6IR4Y	3720	37204	0.035
1981	V8 5.0L		15IR4Y	3738	37384	0.035
1980	V6 3.8L	Naturally Aspirated	6IR4Y	3720	37204	0.035
1980	V6 3.8L	Turbo	6IR4Y	3720	37204	0.035
1980	V6 4.1L		6IR4Y	3720	37204	0.035
1980	V8 4.9L		6IR4Y	3720	37204	0.035
1980	V8 5.7L	Vin R	15IR4Y	3738	37384	0.035

\* Short Style 6 Series - PN 3741 (single), PN 37414 (4pk) - Pre-gapped 0.035  
 \* Short Style 7 Series - PN 3742 (single), PN 37424 (4pk) - Pre-gapped 0.035

CPB's = Coil Plug Boots  
 \*\* Pre-gapped for optimal performance.



Make Model Year	Engine Size	Notes:	Plug Type	MSD PN Single	MSD PN 4-Pack	Pre-Gap Setting**
1980	V8 5.7L	Vin X	6IR4Y	3720	37204	0.035
1979	V6 3.8L	Naturally Aspirated	6IR4Y	3720	37204	0.035
1979	V6 3.8L	Turbo	6IR4Y	3720	37204	0.035
1979	V8 4.9L		6IR4Y	3720	37204	0.035
1979	V8 5.7L	Vin R	15IR4Y	3738	37384	0.035
1979	V8 5.7L	Vin X	6IR4Y	3720	37204	0.035
1978	V6 3.8L		6IR4Y	3720	37204	0.035
1978	V8 4.9L		6IR4Y	3720	37204	0.035
1978	V8 5.0L		6IR4Y	3720	37204	0.035
1978	V8 5.7L	Vin R	15IR4Y	3738	37384	0.035
1978	V8 5.7L	Vin X	6IR4Y	3720	37204	0.035
1978	V8 6.6L		15IR4Y	3738	37384	0.035
1977	V6 3.8L		6IR4Y	3720	37204	0.035
1977	V8 4.9L		6IR4Y	3720	37204	0.035
1977	V8 5.7L	Vin H	6IR4Y	3720	37204	0.035
1977	V8 5.7L	Vin J	6IR4Y	3720	37204	0.035
1977	V8 5.7L	Vin R	15IR4Y	3738	37384	0.035
1977	V8 6.6L		15IR4Y	3738	37384	0.035
1976	V6 3.8L		15IR4Y	3738	37384	0.035
1976	V8 5.7L		6IR4Y	3720	37204	0.035
1976	V8 7.5L		15IR4Y	3738	37384	0.035
1975	V8 5.7L		6IR4Y	3720	37204	0.035
1975	V8 6.6L		6IR4Y	3720	37204	0.035
1975	V8 7.5L		6IR4Y	3720	37204	0.035
1974-72	V8 5.7L		6IR4Y	3720	37204	0.035
1974-72	V8 7.5L		6IR4Y	3720	37204	0.035
1971-70	V8 5.7L		6IR4Y	3720	37204	0.035
1971-70	V8 7.5L		6IR4Y	3720	37204	0.035
1969-68	V8 5.7L		6IR4Y	3720	37204	0.035
1967-66	V8 5.6L		15IR5Y	3739	37394	0.035
1965	V8 4.9L		15IR4Y	3738	37384	0.035
1964	V8 6.6L		15IR4Y	3738	37384	0.035
1964	V8 7.0L		15IR5Y	3739	37394	0.035
1963-62	V8 6.6L		15IR4Y	3738	37384	0.035
1961-60	V8 6.0L		15IR4Y	3738	37384	0.035
1961-60	V8 6.6L		15IR4Y	3738	37384	0.035
1959	V8 6.0L		15IR4Y	3738	37384	0.035
<b>Limited</b>						
1958	V8 6.0L		15IR4Y	3738	37384	0.035
<b>Lucerne</b>						
2011-10	V6 3.9L		N/A	N/A	N/A	
2011-10	V8 4.6L		1IR5Y	3713	37134	0.043
2009	V6 3.9L		N/A	N/A	N/A	
2009	V8 4.6L		N/A	N/A	N/A	
2008	V6 3.8L		N/A	N/A	N/A	
2008	V8 4.6L	Vin 9	N/A	N/A	N/A	
2008	V8 4.6L	Vin Y	1IR5Y	3713	37134	0.043
2007-06	V6 3.8L		N/A	N/A	N/A	
2007-06	V8 4.6L		1IR5Y	3713	37134	0.043
<b>Opel</b>						
1979-77	L4 1.8L		N/A	N/A	N/A	
<b>Park Avenue</b>						
2005-02	V6 3.8L		N/A	N/A	N/A	
2001-98	V6 3.8L	Naturally Aspirated	1IR4Y	3711	37114	0.047
2001-98	V6 3.8L	Supercharged	1IR4Y	3711	37114	0.047
1997-94	V6 3.8L		1IR4Y	3711	37114	0.047
1993-91	V6 3.8L		1IR5Y	3713	37134	0.043
<b>Rainier</b>						
2007	L6 4.2L		5IR5Y	3719	37194	0.040
2007	V8 5.3L		1IR5Y	3713	37134	0.043
2006	L6 4.2L		5IR5Y	3719	37194	0.040
2006	V8 5.3L		1IR5Y	3713	37134	0.043
2005-04	L6 4.2L	6 CPBs Req	5IR5Y	3719	37194	0.040
2005-04	V8 5.3L		1IR5Y	3713	37134	0.043
<b>Reatta</b>						
1991-88	V6 3.8L		1IR5Y	3713	37134	0.043

Make Model Year	Engine Size	Notes:	Plug Type	MSD PN Single	MSD PN 4-Pack	Pre-Gap Setting**
<b>Regal</b>						
2013	L4 2.0L	LHU	5IR5Y	3719	37194	0.040
2013	L4 2.4L	LUK	5IR5Y	3719	37194	0.040
2012	L4 2.0L	LHU	5IR5Y	3719	37194	0.040
2012	L4 2.4L	LEA	5IR5Y	3719	37194	0.040
2012	L4 2.4L	LUK	5IR5Y	3719	37194	0.040
2011	L4 2.0L		5IR5Y	3719	37194	0.040
2011	L4 2.4L		5IR5Y	3719	37194	0.040
2004-02	V6 3.8L		N/A	N/A	N/A	
2001-98	V6 3.8L	Naturally Aspirated	1IR4Y	3711	37114	0.047
2001-98	V6 3.8L	Supercharged	1IR4Y	3711	37114	0.047
1997	V6 3.8L	Naturally Aspirated	1IR4Y	3711	37114	0.047
1997	V6 3.8L	Supercharged	N/A	N/A	N/A	
1996-94	V6 3.1L		1IR4Y	3711	37114	0.047
1996-94	V6 3.8L		1IR4Y	3711	37114	0.047
1993-90	V6 3.1L		1IR4Y	3711	37114	0.047
1993-90	V6 3.8L		1IR5Y	3713	37134	0.043
1989	V6 2.8L		1IR4Y	3711	37114	0.047
1989	V6 3.1L		1IR4Y	3711	37114	0.047
1988	V6 2.8L		1IR4Y	3711	37114	0.047
1987-86	V6 3.8L	Naturally Aspirated	6IR4Y	3720	37204	0.035
1987-86	V6 3.8L	Turbo	6IR4Y	3720	37204	0.035
1987-86	V8 5.0L	Vin H	6IR4Y	3720	37204	0.035
1987-86	V8 5.0L	Vin Y	7IR4Y	3724	37244	0.040
1985	V6 3.8L	Naturally Aspirated	6IR4Y	3720	37204	0.035
1985	V6 3.8L	Turbo	6IR4Y	3720	37204	0.035
1985	V8 5.0L		6IR4Y	3720	37204	0.035
1984	V6 3.8L	Naturally Aspirated	6IR4Y	3720	37204	0.035
1984	V6 3.8L	Turbo	6IR4Y	3720	37204	0.035
1984	V6 4.1L		6IR4Y	3720	37204	0.035
1984	V8 5.0L		6IR4Y	3720	37204	0.035
1983	V6 3.8L		6IR4Y	3720	37204	0.035
1983	V6 4.1L		6IR4Y	3720	37204	0.035
1983	V8 5.0L		6IR4Y	3720	37204	0.035
1982	V6 3.8L		6IR4Y	3720	37204	0.035
1982	V6 4.1L		6IR4Y	3720	37204	0.035
1982	V8 4.4L		6IR4Y	3720	37204	0.035
1982	V8 5.0L		6IR4Y	3720	37204	0.035
1981	V6 3.8L	Natural Aspirated	6IR4Y	3720	37204	0.035
1981	V6 3.8L	Turbo	6IR4Y	3720	37204	0.035
1981	V8 4.3L		6IR4Y	3720	37204	0.035
1981	V8 4.4L		6IR4Y	3720	37204	0.035
1980	V6 3.8L	Natural Aspirated	6IR4Y	3720	37204	0.035
1980	V6 3.8L	Turbo	6IR4Y	3720	37204	0.035
1980	V8 4.3L		6IR4Y	3720	37204	0.035
1980	V8 4.9L		6IR4Y	3720	37204	0.035
1980	V8 5.0L		6IR4Y	3720	37204	0.035
1979	V6 3.2L		6IR4Y	3720	37204	0.035
1979	V6 3.8L	Naturally Aspirated	6IR4Y	3720	37204	0.035
1979	V6 3.8L	Turbo	6IR4Y	3720	37204	0.035
1979	V8 4.9L		6IR4Y	3720	37204	0.035
1979	V8 5.0L		6IR4Y	3720	37204	0.035
1978	V6 3.2L		6IR4Y	3720	37204	0.035
1978	V6 3.8L		6IR4Y	3720	37204	0.035
1978	V8 5.0L		6IR4Y	3720	37204	0.035
1977	V6 3.8L		6IR4Y	3720	37204	0.035
1977	V8 5.0L		6IR4Y	3720	37204	0.035
1977	V8 5.7L	Vin H	6IR4Y	3720	37204	0.035
1977	V8 5.7L	Vin J	6IR4Y	3720	37204	0.035
1977	V8 5.7L	Vin L	6IR4Y	3720	37204	0.035
1977	V8 5.7L	Vin R	15IR4Y	3738	37384	0.035
1976-75	V6 3.8L		15IR4Y	3738	37384	0.035
1976-75	V8 5.7L		6IR4Y	3720	37204	0.035
1974-73	V8 5.7L		6IR4Y	3720	37204	0.035
1974-73	V8 7.5L		6IR4Y	3720	37204	0.035
<b>Rendezvous</b>						
2007	V6 3.5L		N/A	N/A	N/A	
2006	V6 3.5L		N/A	N/A	N/A	
2006	V6 3.6L		5IR5Y	3719	37194	0.040
2005	V6 3.4L		N/A	N/A	N/A	
2005	V6 3.6L		5IR6Y	3743	37434	0.032

CPB's = Coil Plug Boots  
 \*\* Pre-gapped for optimal performance.

\* Short Style 6 Series - PN 3741 (single), PN 37414 (4pk) - Pre-gapped 0.035  
 \* Short Style 7 Series - PN 3742 (single), PN 37424 (4pk) - Pre-gapped 0.035



**Buick Rendezvous continued**

Make Model Year	Engine Size	Notes:	Plug Type	MSD PN Single	MSD PN 4-Pack	Pre-Gap Setting**
2004	V6 3.4L		N/A	N/A	N/A	
2004	V6 3.6L		5IR5Y	3719	37194	0.040
2003-02	V6 3.4L		N/A	N/A	N/A	
<b>Riviera</b>						
1999-98	V6 3.8L		1IR4Y	3711	37114	0.047
1997-95	V6 3.8L		1IR4Y	3711	37114	0.047
1993-88	V6 3.8L		1IR5Y	3713	37134	0.043
1987-86	V6 3.8L		1IR5Y	3713	37134	0.043
1985	V6 3.8L		6IR4Y	3720	37204	0.035
1985	V8 5.0L		7IR4Y	3724	37244	0.040
1984	V6 3.8L		6IR4Y	3720	37204	0.035
1984	V6 4.1L		6IR4Y	3720	37204	0.035
1984	V8 5.0L		15IR4Y	3738	37384	0.035
1983-82	V6 3.8L		6IR4Y	3720	37204	0.035
1983-82	V6 4.1L		6IR4Y	3720	37204	0.035
1983-82	V8 5.0L		15IR4Y	3738	37384	0.035
1981	V6 3.8L		6IR4Y	3720	37204	0.035
1981	V6 4.1L		6IR4Y	3720	37204	0.035
1981	V8 5.0L		15IR4Y	3738	37384	0.035
1980	V6 3.8L		6IR4Y	3720	37204	0.035
1980	V8 5.0L		15IR4Y	3738	37384	0.035
1980	V8 5.7L GAS		15IR4Y	3738	37384	0.035
1979	V6 3.8L		6IR4Y	3720	37204	0.035
1979	V8 5.7L		15IR4Y	3738	37384	0.035
1978	V8 5.7L Vin R		15IR4Y	3738	37384	0.035
1978	V8 5.7L Vin X		6IR4Y	3720	37204	0.035
1978	V8 6.6L		15IR4Y	3738	37384	0.035
1977	V8 5.7L Vin J		6IR4Y	3720	37204	0.035
1977	V8 5.7L Vin R		15IR4Y	3738	37384	0.035
1977	V8 6.6L		15IR4Y	3738	37384	0.035
1976	V8 7.5L		15IR4Y	3738	37384	0.035
1975	V8 7.5L		6IR4Y	3720	37204	0.035
1974-72	V8 7.5L		6IR4Y	3720	37204	0.035
1971-70	V8 7.5L		6IR4Y	3720	37204	0.035
1969-67	V8 7.0L		6IR4Y	3720	37204	0.035
1966	V8 7.0L		15IR5Y	3739	37394	0.035
1965-63	V8 6.6L		15IR4Y	3738	37384	0.035
1965-63	V8 7.0L		15IR5Y	3739	37394	0.035
<b>Roadmaster</b>						
1996-94	V8 5.7L		1IR5Y	3713	37134	0.043
1993-92	V8 5.7L		6IR5Y	3722	37224	0.035
1991	V8 5.0L		6IR4Y	3720	37204	0.035
1958-57	V8 6.0L		15IR4Y	3738	37384	0.035
1956-53	V8 5.3L		15IR4Y	3738	37384	0.035
1952	L8 5.2L		15IR5Y	3739	37394	0.035
1951	L8 5.2L		15IR5Y	3739	37394	0.035
1950	L8 5.2L		15IR5Y	3739	37394	0.035
<b>Skyhawk</b>						
1989	L4 2.0L		1IR4Y	3711	37114	0.047
1988	L4 2.0L Vin 1		1IR4Y	3711	37114	0.047
1988	L4 2.0L Vin K		11IR4Y	3731	37314	0.035
1987	L4 2.0L Vin 1		1IR4Y	3711	37114	0.047
1987	L4 2.0L Vin K		11IR4Y	3731	37314	0.035
1987	L4 2.0L Vin M		11IR5Y	3733	37334	0.035
1986	L4 1.8L		11IR5Y	3733	37334	0.035
1986	L4 2.0L		6IR5Y	3722	37224	0.035
1985	L4 1.8L Turbo		11IR5Y	3733	37334	0.035
1985	L4 2.0L		6IR5Y	3722	37224	0.035
1984-83	L4 1.8L		11IR5Y	3733	37334	0.035
1984-83	L4 2.0L		6IR5Y	3722	37224	0.035
1982	L4 1.8L CARB		6IR5Y	3722	37224	0.035
1982	L4 1.8L FI		11IR5Y	3733	37334	0.035
1980-77	V6 3.8L		6IR4Y	3720	37204	0.035
1976-75	V6 3.8L		15IR4Y	3738	37384	0.035
<b>Skylark</b>						
1998-96	L4 2.4L 4 CPBs Req		1IR5Y	3713	37134	0.043
1998-96	V6 4.1L		1IR4Y	3711	37114	0.047
1995	L4 2.3L 4 CPBs Req		1IR5Y	3713	37134	0.043
1995	V6 3.1L		1IR4Y	3711	37114	0.047
1994	L4 2.3L 4 CPBs Req		7IR4Y	3724	37244	0.040

Make Model Year	Engine Size	Notes:	Plug Type	MSD PN Single	MSD PN 4-Pack	Pre-Gap Setting**
1994	V6 3.1L		1IR4Y	3711	37114	0.047
1993-92	L4 2.3L 4 CPBs Req		7IR4Y	3724	37244	0.040
1993-92	V6 3.3L		1IR5Y	3713	37134	0.043
1991-89	L4 2.3L 4 CPBs Req		7IR4Y	3724	37244	0.040
1991-89	L4 2.5L		6IR5Y	3722	37224	0.035
1991-89	V6 3.3L		1IR5Y	3713	37134	0.043
1988	L4 2.3L 4 CPBs Req		7IR4Y	3724	37244	0.040
1988	L4 2.5L		6IR5Y	3722	37224	0.035
1988	V6 3.0L		1IR5Y	3713	37134	0.043
1987-86	L4 2.5L		6IR5Y	3722	37224	0.035
1987-86	V6 3.0L		1IR5Y	3713	37134	0.043
1985-84	L4 2.5L		6IR5Y	3722	37224	0.035
1985-84	V6 2.8L		6IR5Y	3722	37224	0.035
1983	L4 2.5L CARB		6IR4Y	3720	37204	0.035
1983	L4 2.5L FI		6IR5Y	3722	37224	0.035
1983	V6 2.8L		6IR5Y	3722	37224	0.035
1982-80	L4 2.5L		6IR4Y	3720	37204	0.035
1982-80	V6 2.8L		6IR5Y	3722	37224	0.035
1979-78	V6 3.8L		6IR4Y	3720	37204	0.035
1979-78	V8 5.0L		6IR4Y	3720	37204	0.035
1979-78	V8 5.7L		6IR4Y	3720	37204	0.035
1977	V6 3.8L		6IR4Y	3720	37204	0.035
1977	V8 4.9L		6IR4Y	3720	37204	0.035
1977	V8 5.0L		6IR4Y	3720	37204	0.035
1977	V8 5.7L Vin L		6IR4Y	3720	37204	0.035
1977	V8 5.7L Vin R		15IR4Y	3738	37384	0.035
1976-75	V6 3.8L		15IR4Y	3738	37384	0.035
1976-75	V8 4.3L		15IR4Y	3738	37384	0.035
1976-75	V8 5.7L		6IR4Y	3720	37204	0.035
1972	V8 5.7L		6IR4Y	3720	37204	0.035
1972	V8 7.5L		6IR4Y	3720	37204	0.035
1971	L6 4.1L		6IR4Y	3720	37204	0.035
1971	V8 5.7L		6IR4Y	3720	37204	0.035
1970	L6 4.1L		6IR4Y	3720	37204	0.035
1970	V8 5.7L		6IR4Y	3720	37204	0.035
1970	V8 7.5L		6IR4Y	3720	37204	0.035
1969	L6 4.1L		11IR4Y	3731	37314	0.035
1969	V8 5.7L		6IR4Y	3720	37204	0.035
1968	L6 4.1L		11IR4Y	3731	37314	0.035
1968	V8 5.7L		6IR4Y	3720	37204	0.035
1968	V8 6.6L		6IR4Y	3720	37204	0.035
1967	V6 3.7L		15IR5Y	3739	37394	0.035
1967	V8 4.9L		15IR4Y	3738	37384	0.035
1967	V8 5.6L		15IR4Y	3738	37384	0.035
1967	V8 6.6L		6IR4Y	3720	37204	0.035
1966	V6 3.7L		15IR5Y	3739	37394	0.035
1966	V8 4.9L		15IR4Y	3738	37384	0.035
1966	V8 5.6L		15IR4Y	3738	37384	0.035
1966	V8 6.6L		15IR5Y	3739	37394	0.035
1965	V6 3.7L		15IR5Y	3739	37394	0.035
1965	V8 4.9L		15IR4Y	3738	37384	0.035
1965	V8 6.6L		15IR4Y	3738	37384	0.035
1964	V6 3.7L		15IR5Y	3739	37394	0.035
1964	V8 4.9L		13IR5Y	3735	37354	0.032
1963	V6 3.2L		15IR4Y	3738	37384	0.035
1963	V8 3.5L		13IR5Y	3735	37354	0.032
1962	V6 3.2L		15IR4Y	3738	37384	0.035
1962	V8 3.5L		13IR6Y	3736	37364	0.032
1961	V8 3.5L		13IR6Y	3736	37364	0.032
1954	V8 5.3L		15IR4Y	3738	37384	0.035
<b>Somerset</b>						
1987-86	L4 2.5L		6IR5Y	3722	37224	0.035
1987-86	V6 3.0L		1IR5Y	3713	37134	0.043
<b>Somerset Regal</b>						
1985	L4 2.5L		6IR5Y	3722	37224	0.035
1985	V6 3.0L		1IR5Y	3713	37134	0.043
<b>Special</b>						
1969-68	L6 4.1L		11IR4Y	3731	37314	0.035
1969-68	V8 5.7L		6IR4Y	3720	37204	0.035
1967-65	V6 3.7L		15IR5Y	3739	37394	0.035

\* Short Style 6 Series - PN 3741 (single), PN 37414 (4pk) - Pre-gapped 0.035  
 \* Short Style 7 Series - PN 3742 (single), PN 37424 (4pk) - Pre-gapped 0.035

CPB's = Coil Plug Boots  
 \*\* Pre-gapped for optimal performance.





Make Model Year	Engine Size	Notes:	Plug Type	MSD PN Single	MSD PN 4-Pack	Pre-Gap Setting**
1967-65	V8 4.9L		151R4Y	3738	37384	0.035
1964	V6 3.7L		151R5Y	3739	37394	0.035
1964	V8 4.9L		131R5Y	3735	37354	0.032
1963-62	V6 3.2L		151R4Y	3738	37384	0.035
1963-62	V8 3.5L		131R5Y	3735	37354	0.032
1961	V8 3.5L		131R5Y	3735	37354	0.032
1958-57	V8 6.0L		151R4Y	3738	37384	0.035
1956	V8 5.3L		151R4Y	3738	37384	0.035
1955-54	V8 4.3L		151R4Y	3738	37384	0.035
1953-51	L8 4.3L		151R4Y	3738	37384	0.035
<b>Sportwagon</b>						
1972	V8 5.7L		61R4Y	3720	37204	0.035
1971	V8 5.7L		61R4Y	3720	37204	0.035
1970	V8 5.7L		61R4Y	3720	37204	0.035
1970	V8 7.5L		61R4Y	3720	37204	0.035
1969	V8 5.7L		61R4Y	3720	37204	0.035
1968	V8 5.7L		61R4Y	3720	37204	0.035
1968	V8 6.6L		61R4Y	3720	37204	0.035
1967-66	V8 5.6L		151R4Y	3738	37384	0.035
1965	V6 3.7L		151R5Y	3739	37394	0.035
1965	V8 4.9L		151R4Y	3738	37384	0.035
1964	V6 3.7L		151R5Y	3739	37394	0.035
1964	V8 4.9L		131R5Y	3735	37354	0.032
<b>Super</b>						
1958-57	V8 6.0L		151R4Y	3738	37384	0.035
1956-53	V8 5.3L		151R4Y	3738	37384	0.035
1952-51	L8 4.3L		151R4Y	3738	37384	0.035
<b>Terraza</b>						
2007	V6 3.9L		N/A	N/A	N/A	
2006	V6 3.5L		N/A	N/A	N/A	
2006	V6 3.9L		N/A	N/A	N/A	
2005	V6 3.5L		N/A	N/A	N/A	
<b>Verano</b>						
2013	L4 2.0L LHU		51R5Y	3719	37194	0.040
2013	L4 2.4L LEA		51R5Y	3719	37194	0.040
2012	L4 2.4L LEA		51R5Y	3719	37194	0.040
<b>Wildcat</b>						
1970	V8 7.5L		61R4Y	3720	37204	0.035
1969-67	V8 7.0L		61R4Y	3720	37204	0.035
1966	V8 6.6L		151R5Y	3739	37394	0.035
1966	V8 7.0L		151R5Y	3739	37394	0.035
1965-64	V8 6.6L		151R4Y	3738	37384	0.035
1965-64	V8 7.0L		151R5Y	3739	37394	0.035
1963	V8 6.6L		151R4Y	3738	37384	0.035
<b>Cadillac</b>						
<b>Allante</b>						
1993	V8 4.6L		11R5Y	3713	37134	0.043
1992-89	V8 4.5L		11R5Y	3713	37134	0.043
1988-87	V8 4.1L		11R5Y	3713	37134	0.043
<b>ATS</b>						
2013	L4 2.0L LTG		51R5Y	3719	37194	0.040
2013	V6 3.6L LFX		51R6Y	3743	37434	0.032
<b>Brougham</b>						
1992-91	V8 5.0L		61R4Y	3720	37204	0.035
1992-91	V8 5.7L		61R5Y	3722	37224	0.035
1990	V8 5.0L		71R4Y	3724	37244	0.040
1990	V8 5.7L		61R5Y	3722	37224	0.035
1989-87	V8 5.0L		71R4Y	3724	37244	0.040
<b>Calais</b>						
1976-75	V8 8.2L		111R4Y	3731	37314	0.035
1974-68	V8 7.7L		111R4Y	3731	37314	0.035
1967	V8 7.0L		151R4Y	3738	37384	0.035
1966-65	V8 7.0L		151R5Y	3739	37394	0.035
<b>Catera</b>						
2001-97	V6 3.0L		71R5Y	3725	37254	0.040

CPB's = Coil Plug Boots  
 \*\* Pre-gapped for optimal performance.

Make Model Year	Engine Size	Notes:	Plug Type	MSD PN Single	MSD PN 4-Pack	Pre-Gap Setting**
<b>Cimarron</b>						
1988-87	V6 2.8L		11R4Y	3711	37114	0.047
1986-85	L4 2.0L		61R5Y	3722	37224	0.035
1986-85	V6 2.8L		61R5Y	3722	37224	0.035
1984-83	L4 2.0L		61R5Y	3722	37224	0.035
1982	L4 1.8L		61R5Y	3722	37224	0.035
<b>Commercial Chassis</b>						
1984-80	V8 6.0L		111R4Y	3731	37314	0.035
1979-77	V8 7.0L		111R4Y	3731	37314	0.035
1976-75	V8 8.2L		111R4Y	3731	37314	0.035
<b>CTS</b>						
2013	V6 3.0L VIN - LFW		51R6Y	3743	37434	0.032
2013	V6 3.6L 3		51R6Y	3743	37434	0.032
2013	V8 6.2L VIN - LSA		11R6Y	3714	37144	0.043
2012	V6 3.0L VIN - LFW		51R6Y	3743	37434	0.032
2012	V6 3.6L 3		51R6Y	3743	37434	0.032
2012	V8 6.2L VIN - LSA		11R6Y	3714	37144	0.043
2011	V6 3.0L		51R6Y	3743	37434	0.032
2011	V6 3.6L		51R6Y	3743	37434	0.032
2011	V8 6.2L		11R6Y	3714	37144	0.043
2010	V6 3.0L		51R6Y	3743	37434	0.032
2010	V6 3.6L		51R6Y	3743	37434	0.032
2010	V8 6.2L		11R6Y	3714	37144	0.043
2009	V6 3.6L		51R6Y	3743	37434	0.032
2009	V8 6.2L		11R5L	3712	37124	0.047
2008	V6 3.6L		51R6Y	3743	37434	0.032
2007	V6 2.8L		51R5Y	3719	37194	0.040
2007	V6 3.6L		51R6Y	3743	37434	0.032
2007	V8 6.0L		11R5Y	3713	37134	0.043
2006	V6 2.8L		51R6Y	3743	37434	0.032
2006	V6 3.6L		51R6Y	3743	37434	0.032
2006	V8 6.0L		11R5Y	3713	37134	0.043
2005	V6 2.8L		51R6Y	3743	37434	0.032
2005	V6 3.6L		51R6Y	3743	37434	0.032
2005	V8 5.7L		11R5Y	3713	37134	0.043
2004	V6 3.2L		71R6Y *	3727	37274	0.043
2004	V6 3.6L		51R5Y	3719	37194	0.040
2004	V8 5.7L		11R5Y	3713	37134	0.043
2003	V6 3.2L		71R6Y *	3727	37274	0.043
<b>DeVille</b>						
2005-04	V8 4.6L		11R5Y	3713	37134	0.043
2003	V8 4.6L 8 CPBs Req		11R5Y	3713	37134	0.043
1999-96	V8 4.6L		11R5Y	3713	37134	0.043
1995-94	V8 4.6L		11R5Y	3713	37134	0.043
1995-94	V8 4.9L		11R5L	3712	37124	0.047
1993-91	V8 4.9L		11R5Y	3713	37134	0.043
1990-88	V8 4.5L		11R5Y	3713	37134	0.043
1987-83	V8 4.1L		11R5Y	3713	37134	0.043
1982	V6 4.1L		61R4Y	3720	37204	0.035
1982	V8 4.1L		11R5Y	3713	37134	0.043
1981-80	V6 4.1L		61R4Y	3720	37204	0.035
1981-80	V8 6.0L		111R4Y	3731	37314	0.035
1979-77	V8 7.0L		111R4Y	3731	37314	0.035
1976-75	V8 8.2L		111R4Y	3731	37314	0.035
1974	V8 7.7L		111R4Y	3731	37314	0.035
1974	V8 8.2L		111R4Y	3731	37314	0.035
1973-68	V8 7.7L		111R4Y	3731	37314	0.035
1967	V8 7.0L		151R4Y	3738	37384	0.035
1966-64	V8 7.0L		151R5Y	3739	37394	0.035
1963-59	V8 6.4L		151R5Y	3739	37394	0.035
1958	V8 6.0L		151R5Y	3739	37394	0.035
1956	V8 6.0L		151R5Y	3739	37394	0.035
1955-53	V8 5.4L		151R5Y	3739	37394	0.035
<b>DTS</b>						
2011-10	V8 4.6L		11R5Y	3713	37134	0.043
2009-08	V8 4.6L Vin 9		N/A	N/A	N/A	
2009-08	V8 4.6L Vin Y		11R5Y	3713	37134	0.043
2007-06	V8 4.6L		11R5Y	3713	37134	0.043

\* Short Style 6 Series - PN 3741 (single), PN 37414 (4pk) - Pre-gapped 0.035  
 \* Short Style 7 Series - PN 3742 (single), PN 37424 (4pk) - Pre-gapped 0.035

**C**



# Cadillac Eldorado

Make Model Year	Engine Size	Notes:	Plug Type	MSD PN Single	MSD PN 4-Pack	Pre-Gap Setting**
<b>Eldorado</b>						
2002	V8 4.6L	8 CPBs Req	11R5Y	3713	37134	0.043
1999-94	V8 4.6L		11R5Y	3713	37134	0.043
1993	V8 4.6L		11R5Y	3713	37134	0.043
1993	V8 4.9L		11R5Y	3713	37134	0.043
1992-91	V8 4.9L		11R5Y	3713	37134	0.043
1990-88	V8 4.5L		11R5Y	3713	37134	0.043
1987-83	V8 4.1L		11R5Y	3713	37134	0.043
1982	V6 4.1L		61R4Y	3720	37204	0.035
1982	V8 4.1L		11R5Y	3713	37134	0.043
1981	V6 4.1L		61R4Y	3720	37204	0.035
1981	V8 6.0L		111R4Y	3731	37314	0.035
1980	V8 5.7L GAS		151R4Y	3738	37384	0.035
1980	V8 6.0L		111R4Y	3731	37314	0.035
1979	V8 5.7L GAS		151R4Y	3738	37384	0.035
1978-77	V8 7.0L		111R4Y	3731	37314	0.035
1976-75	V8 8.2L		111R4Y	3731	37314	0.035
1974-70	V8 8.2L		111R4Y	3731	37314	0.035
1969-68	V8 7.7L		111R4Y	3731	37314	0.035
1967	V8 7.0L		151R4Y	3738	37384	0.035
1966-64	V8 7.0L		151R5Y	3739	37394	0.035
1963-59	V8 6.4L		151R5Y	3739	37394	0.035
1958-56	V8 6.0L		151R5Y	3739	37394	0.035
1955-53	V8 5.4L		151R5Y	3739	37394	0.035
<b>Escalade</b>						
2011-09	V8 6.0L		11R5L	3712	37124	0.047
2011-09	V8 6.2L		11R5L	3712	37124	0.047
2008-07	V8 6.2L		11R5L	3712	37124	0.047
2006	V8 6.0L		11R5Y	3713	37134	0.043
2005-02	V8 5.3L		11R5Y	3713	37134	0.043
2005-02	V8 6.0L		11R5Y	3713	37134	0.043
2000-99	V8 5.7L		11R4Y	3711	37114	0.047
<b>Fleetwood</b>						
1996-94	V8 5.7L		11R5Y	3713	37134	0.043
1993	V8 5.7L		61R4Y	3720	37204	0.035
1992-91	V8 4.9L		11R5Y	3713	37134	0.043
1990-88	V8 4.5L		11R5Y	3713	37134	0.043
1987	V8 4.1L		11R5Y	3713	37134	0.043
1986	V8 4.1L		11R5Y	3713	37134	0.043
1986	V8 5.0L		71R4Y	3724	37244	0.040
1985	V8 4.1L		11R5Y	3713	37134	0.043
1984-83	V8 4.1L		11R5Y	3713	37134	0.043
1984-83	V8 6.0L		111R4Y	3731	37314	0.035
1982	V6 4.1L		61R4Y	3720	37204	0.035
1982	V8 4.1L		11R5Y	3713	37134	0.043
1982	V8 6.0L		111R4Y	3731	37314	0.035
1981-80	V6 4.1L		61R4Y	3720	37204	0.035
1981-80	V8 6.0L		111R4Y	3731	37314	0.035
1979-77	V8 7.0L		111R4Y	3731	37314	0.035
1976-75	V8 8.2L		111R4Y	3731	37314	0.035
1974	V8 7.7L		111R4Y	3731	37314	0.035
1974	V8 8.2L		111R4Y	3731	37314	0.035
1973-68	V8 7.7L		111R4Y	3731	37314	0.035
1967	V8 7.0L		151R4Y	3738	37384	0.035
1966-65	V8 7.0L		151R5Y	3739	37394	0.035
<b>Series 60 Fleetwood</b>						
1964	V8 7.0L		151R5Y	3739	37394	0.035
1963-59	V8 6.4L		151R5Y	3739	37394	0.035
1958-56	V8 6.0L		151R5Y	3739	37394	0.035
1955-53	V8 5.4L		151R5Y	3739	37394	0.035
1952-50	V8 5.4L		151R4Y	3738	37384	0.035
<b>Series 61</b>						
1951-50	V8 5.4L		151R4Y	3738	37384	0.035
<b>Series 62</b>						
1964	V8 7.0L		151R5Y	3739	37394	0.035
1963-59	V8 6.4L		151R5Y	3739	37394	0.035
1958-56	V8 6.0L		151R5Y	3739	37394	0.035
1955-53	V8 5.4L		151R5Y	3739	37394	0.035
1952	V8 5.4L		151R4Y	3738	37384	0.035

Make Model Year	Engine Size	Notes:	Plug Type	MSD PN Single	MSD PN 4-Pack	Pre-Gap Setting**
<b>Series 70 Fleetwood Eldorado</b>						
1958	V8 6.0L		151R5Y	3739	37394	0.035
<b>Series 75 Fleetwood</b>						
1964	V8 7.0L		151R5Y	3739	37394	0.035
1963-59	V8 6.4L		151R5Y	3739	37394	0.035
1958-56	V8 6.0L		151R5Y	3739	37394	0.035
1955-53	V8 5.4L		151R5Y	3739	37394	0.035
1952-50	V8 5.4L		151R4Y	3738	37384	0.035
<b>Seville</b>						
2004	V8 4.6L		11R5Y	3713	37134	0.043
2003	V8 4.6L	8 CPBs Req	11R5Y	3713	37134	0.043
1999-94	V8 4.6L		11R5Y	3713	37134	0.043
1993	V8 4.6L		11R5Y	3713	37134	0.043
1993	V8 4.9L		11R5Y	3713	37134	0.043
1992-91	V8 4.9L		11R5Y	3713	37134	0.043
1990-88	V8 4.5L		11R5Y	3713	37134	0.043
1987-83	V8 4.1L		11R5Y	3713	37134	0.043
1982	V6 4.1L		61R4Y	3720	37204	0.035
1982	V8 4.1L		11R5Y	3713	37134	0.043
1981	V6 4.1L		61R4Y	3720	37204	0.035
1981	V8 6.0L		111R4Y	3731	37314	0.035
1980	V8 5.7L GAS		151R4Y	3738	37384	0.035
1980	V8 6.0L		111R4Y	3731	37314	0.035
1979-78	V8 5.7L GAS		151R4Y	3738	37384	0.035
1977-76	V8 5.7L		151R4Y	3738	37384	0.035
<b>SRX</b>						
2011-10	V6 2.8L		51R6Y	3743	37434	0.032
2011-10	V6 3.0L		51R6Y	3743	37434	0.032
2009-07	V6 3.6L		51R6Y	3743	37434	0.032
2009-07	V8 4.6L		11R5Y	3713	37134	0.043
2006	V6 3.6L		51R6Y	3743	37434	0.032
2006	V8 4.6L		11R5Y	3713	37134	0.043
2005	V6 3.6L		51R6Y	3743	37434	0.032
2005	V8 4.6L		11R5Y	3713	37134	0.043
2004	V6 3.6L		51R5Y	3719	37194	0.040
2004	V8 4.6L		11R5Y	3713	37134	0.043
<b>STS</b>						
2010	V6 3.6L		51R6Y	3743	37434	0.032
2010	V8 4.6L		11R5Y	3713	37134	0.043
2009-07	V6 3.6L		51R6Y	3743	37434	0.032
2009-07	V8 4.4L		N/A	N/A	N/A	
2009-07	V8 4.6L		11R5Y	3713	37134	0.043
2006	V6 3.6L		51R6Y	3743	37434	0.032
2006	V8 4.4L		N/A	N/A	N/A	
2006	V8 4.6L		11R5Y	3713	37134	0.043
2005	V6 3.6L		51R6Y	3743	37434	0.032
2005	V8 4.6L		11R5Y	3713	37134	0.043
<b>XLR</b>						
2009	V8 4.4L		N/A	N/A	N/A	
2009	V8 4.6L		11R5Y	3713	37134	0.043
2008	V8 4.4L		N/A	N/A	N/A	
2008	V8 4.6L		11R5Y	3713	37134	0.043
2007	V8 4.4L		N/A	N/A	N/A	
2007	V8 4.6L		11R5Y	3713	37134	0.043
2006	V8 4.4L		N/A	N/A	N/A	
2006	V8 4.6L		11R5Y	3713	37134	0.043
2005-04	V8 4.6L		11R5Y	3713	37134	0.043
<b>Checker</b>						
<b>Marathon</b>						
1982-80	V6 3.8L		61R4Y	3720	37204	0.035
1982-80	V8 4.4L		61R4Y	3720	37204	0.035
1982-80	V8 5.0L		61R4Y	3720	37204	0.035
1979	L6 4.1L		61R4Y	3720	37204	0.035
1979	V8 5.0L		61R4Y	3720	37204	0.035
1979	V8 5.7L		61R4Y	3720	37204	0.035
1978	L6 4.1L		61R4Y	3720	37204	0.035
1978	V8 5.0L		61R4Y	3720	37204	0.035
1978	V8 5.7L		61R4Y	3720	37204	0.035

\* Short Style 6 Series - PN 3741 (single), PN 37414 (4pk) - Pre-gapped 0.035  
 \* Short Style 7 Series - PN 3742 (single), PN 37424 (4pk) - Pre-gapped 0.035

CPB's = Coil Plug Boots  
 \*\* Pre-gapped for optimal performance.



Make Model Year	Engine Size	Notes:	Plug Type	MSD PN Single	MSD PN 4-Pack	Pre-Gap Setting**
1977	L6 4.1L		6IR4Y	3720	37204	0.035
1977	V8 5.0L		6IR4Y	3720	37204	0.035
1977	V8 5.7L		6IR4Y	3720	37204	0.035
1976	L6 4.1L		6IR4Y	3720	37204	0.035
1976	V8 5.7L		6IR4Y	3720	37204	0.035
1975	L6 4.1L		6IR4Y	3720	37204	0.035
1975	V8 5.7L		6IR4Y	3720	37204	0.035
1974-71	L6 4.1L		6IR4Y	3720	37204	0.035
1974-71	V8 5.7L		6IR4Y	3720	37204	0.035
1970	L6 4.1L		6IR4Y	3720	37204	0.035
1970	V8 5.7L		15IR5Y	3739	37394	0.035
1969	L6 4.1L		11IR4Y	3731	37314	0.035
1969	V8 5.4L		15IR5Y	3739	37394	0.035
1969	V8 5.7L		15IR5Y	3739	37394	0.035
1968	L6 3.8L		11IR4Y	3731	37314	0.035
1968	V8 5.0L		15IR5Y	3739	37394	0.035
1968	V8 5.4L		15IR5Y	3739	37394	0.035
<b>Chevrolet</b>						
<b>Astro</b>						
2005-96	V6 4.3L		1IR4Y	3711	37114	0.047
1995-94	V6 4.3L		6IR5Y	3722	37224	0.035
1993-91	V6 4.3L		6IR5Y	3722	37224	0.035
1990-85	L4 2.5L		6IR5Y	3722	37224	0.035
1990-85	V6 4.3L		6IR5Y	3722	37224	0.035
<b>Avalanche</b>						
2013	V8 5.3L	VIN - LMG	1IR5L	3712	37124	0.047
2013	V8 5.3L	VIN - LC9	1IR5L	3712	37124	0.047
2012	V8 5.3L	VIN - LMG	1IR5L	3712	37124	0.047
2012	V8 5.3L	VIN - LC9	1IR5L	3712	37124	0.047
2011-10	V8 5.3L		1IR5L	3712	37124	0.047
2009-08	V8 5.3L		1IR5L	3712	37124	0.047
2009-08	V8 6.0L		1IR5L	3712	37124	0.047
2007	V8 5.3L		1IR5L	3712	37124	0.047
2007	V8 6.0L		1IR5Y	3713	37134	0.043
<b>Avalanche 1500</b>						
2006-02	V8 5.3L		1IR5Y	3713	37134	0.043
<b>Avalanche 2500</b>						
2006-03	V8 8.1L		1IR5L	3712	37124	0.047
2002	V8 8.1L		1IR5L	3712	37124	0.047
<b>Aveo</b>						
2011-09	L4 1.6L		7IR6Y *	3727	37274	0.043
2008-04	L4 1.6L		7IR6Y *	3727	37274	0.043
<b>Aveo5</b>						
2011-09	L4 1.6L		7IR6Y *	3727	37274	0.043
2008	L4 1.6L	LS	7IR6Y *	3727	37274	0.043
2008	L4 1.6L	LT	7IR6Y *	3727	37274	0.043
2008	L4 1.6L	Special Value	7IR6Y *	3727	37274	0.043
2007	L4 1.6L	LS	7IR6Y *	3727	37274	0.043
2007	L4 1.6L	Special Value	7IR6Y *	3727	37274	0.043
<b>Bel Air</b>						
1981	V8 4.4L		6IR4Y	3720	37204	0.035
1981	V8 5.0L		6IR4Y	3720	37204	0.035
1975	V8 5.7L		6IR5Y	3722	37224	0.035
1975	V8 6.6L		6IR5Y	3722	37224	0.035
1975	V8 7.4L		6IR5Y	3722	37224	0.035
1974	V8 5.7L		6IR5	3721	37214	0.035
1974	V8 6.6L		6IR5	3721	37214	0.035
1974	V8 7.4L		6IR5	3721	37214	0.035
1973-72	L6 4.1L		6IR5	3721	37214	0.035
1973-72	V8 5.7L		6IR5	3721	37214	0.035
1973-72	V8 6.6L		6IR5	3721	37214	0.035
1973-72	V8 7.4L		6IR5	3721	37214	0.035
1971	L6 4.1L		6IR4Y	3720	37204	0.035
1971	V8 5.7L		6IR4Y	3720	37204	0.035
1971	V8 6.6L		6IR4Y	3720	37204	0.035
1971	V8 7.4L		6IR5Y	3722	37224	0.035
1970	L6 4.1L		6IR5	3721	37214	0.035

Make Model Year	Engine Size	Notes:	Plug Type	MSD PN Single	MSD PN 4-Pack	Pre-Gap Setting**
1970	V8 5.7L		15IR5Y	3739	37394	0.035
1970	V8 6.6L		15IR6	3740	37404	0.032
1970	V8 7.4L		6IR5	3721	37214	0.035
1969	L6 4.1L		11IR4Y	3731	37314	0.035
1969	V8 5.4L		15IR4Y	3738	37384	0.035
1969	V8 5.7L		15IR5Y	3739	37394	0.035
1969	V8 6.5L		11IR5Y	3733	37334	0.035
1969	V8 7.0L		11IR4Y	3731	37314	0.035
1968	L6 4.1L		11IR4Y	3731	37314	0.035
1968	V8 5.0L		15IR4Y	3738	37384	0.035
1968	V8 5.4L	250HP; 275 HP	15IR4Y	3738	37384	0.035
1968	V8 5.4L	300 HP	15IR6	3740	37404	0.032
1968	V8 6.5L		11IR5Y	3733	37334	0.035
1968	V8 7.0L		11IR5Y	3733	37334	0.035
1967-66	L6 4.1L		11IR4Y	3731	37314	0.035
1967-66	V8 4.6L		15IR4Y	3738	37384	0.035
1967-66	V8 5.3L	250HP; 275 HP	15IR4Y	3738	37384	0.035
1967-66	V8 5.3L	300 HP	15IR6	3740	37404	0.032
1967-66	V8 6.5L		11IR5Y	3733	37334	0.035
1967-66	V8 7.0L		11IR5Y	3733	37334	0.035
1965	L6 3.8L		11IR4Y	3731	37314	0.035
1965	L6 4.1L		11IR4Y	3731	37314	0.035
1965	V8 4.6L		15IR4Y	3738	37384	0.035
1965	V8 5.3L	250HP; 275 HP	15IR4Y	3738	37384	0.035
1965	V8 5.3L	300 HP	15IR6	3740	37404	0.032
1965	V8 6.7L		11IR5Y	3733	37334	0.035
1964-63	L6 3.8L		11IR4Y	3731	37314	0.035
1964-63	V8 4.6L		15IR4Y	3738	37384	0.035
1964-63	V8 5.3L	250HP; 275 HP	15IR4Y	3738	37384	0.035
1964-63	V8 5.3L	300 HP	15IR6	3740	37404	0.032
1964-63	V8 6.7L		11IR5Y	3733	37334	0.035
1962	L6 3.8L		15IR4Y	3738	37384	0.035
1962	V8 4.6L		15IR4Y	3738	37384	0.035
1962	V8 5.3L	250HP; 275 HP	15IR4Y	3738	37384	0.035
1962	V8 5.3L	300 HP	15IR6	3740	37404	0.032
1962	V8 6.7L		11IR5Y	3733	37334	0.035
1961	L6 3.8L		15IR4Y	3738	37384	0.035
1961	V8 4.6L		15IR4Y	3738	37384	0.035
1961	V8 5.7L	3/4" Reach	11IR4Y	3731	37314	0.035
1961	V8 5.7L	3/8" Reach	15IR4Y	3738	37384	0.035
1961	V8 6.7L		11IR5Y	3733	37334	0.035
1960	V8 4.6L		15IR4Y	3738	37384	0.035
1960	V8 5.7L		11IR4Y	3731	37314	0.035
1959-58	L6 3.8L		15IR4Y	3738	37384	0.035
1959-58	V8 4.6L	CARB	15IR4Y	3738	37384	0.035
1959-58	V8 5.7L		11IR4Y	3731	37314	0.035
1957	L6 3.9L		15IR4Y	3738	37384	0.035
1957	V8 4.3L		15IR4Y	3738	37384	0.035
1957	V8 4.6L	CARB	15IR4Y	3738	37384	0.035
1956-55	L6 3.9L		15IR4Y	3738	37384	0.035
1956-55	V8 4.3L		15IR4Y	3738	37384	0.035
1954	L6 3.8L		15IR4Y	3738	37384	0.035
1953-50	L6 3.9L		15IR4Y	3738	37384	0.035
<b>Beretta</b>						
1996-95	L4 2.2L		11R5Y	3713	37134	0.043
1996-95	V6 3.1L		1IR4Y	3711	37114	0.047
1994	L4 2.2L		1IR5Y	3713	37134	0.043
1994	L4 2.3L	4 CPBs Req	7IR5Y	3725	37254	0.040
1994	V6 3.1L		11R4Y	3711	37114	0.047
1993-92	L4 2.2L		1IR4Y	3711	37114	0.047
1993-92	L4 2.3L	4 CPBs Req	7IR5Y	3725	37254	0.040
1993-92	V6 3.1L		11R4Y	3711	37114	0.047
1991-90	L4 2.2L		11R4Y	3711	37114	0.047
1991-90	L4 2.3L	4 CPBs Req	7IR4Y	3724	37244	0.040
1991-90	V6 3.1L		11R4Y	3711	37114	0.047
1989-87	L4 2.0L		11R4Y	3711	37114	0.047
1989-87	V6 2.8L		11R4Y	3711	37114	0.047

CPB's = Coil Plug Boots  
 \*\* Pre-gapped for optimal performance.

\* Short Style 6 Series - PN 3741 (single), PN 37414 (4pk) - Pre-gapped 0.035  
 \* Short Style 7 Series - PN 3742 (single), PN 37424 (4pk) - Pre-gapped 0.035





# Chevrolet Biscayne

Make Model Year	Engine Size	Notes:	Plug Type	MSD PN Single	MSD PN 4-Pack	Pre-Gap Setting**
<b>Biscayne</b>						
1972	L6 4.1L		6IR5	3721	37214	0.035
1972	V8 5.7L		6IR5	3721	37214	0.035
1972	V8 6.6L		6IR5	3721	37214	0.035
1972	V8 7.4L		6IR5	3721	37214	0.035
1971	L6 4.1L		6IR4Y	3720	37204	0.035
1971	V8 5.7L		6IR4Y	3720	37204	0.035
1971	V8 6.6L		6IR4Y	3720	37204	0.035
1971	V8 7.4L		6IR5Y	3722	37224	0.035
1970	L6 4.1L		6IR5	3721	37214	0.035
1970	V8 5.7L		15IR5Y	3739	37394	0.035
1970	V8 6.6L		15IR6	3740	37404	0.032
1970	V8 7.4L		6IR5	3721	37214	0.035
1969	L6 4.1L		11IR4Y	3731	37314	0.035
1969	V8 5.4L		15IR4Y	3738	37384	0.035
1969	V8 5.7L		15IR5Y	3739	37394	0.035
1969	V8 6.5L		11IR5Y	3733	37334	0.035
1969	V8 7.0L		11IR4Y	3731	37314	0.035
1968	L6 4.1L		11IR4Y	3731	37314	0.035
1968	V8 5.0L		15IR4Y	3738	37384	0.035
1968	V8 5.4L		15IR4Y	3738	37384	0.035
1968	V8 6.5L		11IR5Y	3733	37334	0.035
1968	V8 7.0L		11IR5Y	3733	37334	0.035
1967-66	L6 4.1L		11IR4Y	3731	37314	0.035
1967-66	V8 4.6L		15IR4Y	3738	37384	0.035
1967-66	V8 5.3L		15IR4Y	3738	37384	0.035
1967-66	V8 6.5L		11IR5Y	3733	37334	0.035
1967-66	V8 7.0L		11IR5Y	3733	37334	0.035
1965	L6 3.8L		11IR4Y	3731	37314	0.035
1965	L6 4.1L		11IR4Y	3731	37314	0.035
1965	V8 4.6L		15IR4Y	3738	37384	0.035
1965	V8 5.3L		15IR4Y	3738	37384	0.035
1965	V8 6.7L		11IR5Y	3733	37334	0.035
1964-63	L6 3.8L		11IR4Y	3731	37314	0.035
1964-63	V8 4.6L		15IR4Y	3738	37384	0.035
1964-63	V8 5.3L		15IR4Y	3738	37384	0.035
1964-63	V8 6.7L		11IR5Y	3733	37334	0.035
1962	L6 3.8L		15IR4Y	3738	37384	0.035
1962	V8 4.6L		15IR4Y	3738	37384	0.035
1962	V8 5.3L		15IR4Y	3738	37384	0.035
1962	V8 6.7L		11IR5Y	3733	37334	0.035
1961	L6 3.8L		15IR4Y	3738	37384	0.035
1961	V8 4.6L		15IR4Y	3738	37384	0.035
1961	V8 5.7L		11IR4Y	3731	37314	0.035
1961	V8 6.7L		11IR5Y	3733	37334	0.035
1960	V8 4.6L		15IR4Y	3738	37384	0.035
1960	V8 5.7L		11IR4Y	3731	37314	0.035
1959	L6 3.8L		15IR4Y	3738	37384	0.035
1959	V8 4.6L	CARB	15IR4Y	3738	37384	0.035
1959	V8 5.7L		11IR4Y	3731	37314	0.035
1958	L6 3.8L		15IR4Y	3738	37384	0.035
1958	V8 4.6L	CARB	15IR4Y	3738	37384	0.035
1958	V8 5.7L	3/4" Reach	11IR4Y	3731	37314	0.035
1958	V8 5.7L	3/8" Reach	15IR4Y	3738	37384	0.035
<b>Blazer</b>						
2005	V6 4.3L		11R4Y	3711	37114	0.047
2004	V6 4.3L		N/A	N/A	N/A	
2003-96	V6 4.3L		11R5L	3712	37124	0.047
1995	V6 4.3L		6IR5Y	3722	37224	0.035
1994	V8 5.7L		6IR5Y	3722	37224	0.035
1993-88	V8 5.7L		6IR5Y	3722	37224	0.035
1987	V8 5.0L		6IR5Y	3722	37224	0.035
1987	V8 5.7L		6IR5Y	3722	37224	0.035
1974	L6 4.1L		6IR5	3721	37214	0.035
1974	V8 5.7L	GAS	6IR5	3721	37214	0.035
1974	V8 7.4L		6IR5	3721	37214	0.035
1973	L6 4.1L		6IR5	3721	37214	0.035
1973	L6 4.8L		6IR5	3721	37214	0.035
1973	V8 5.0L		6IR5	3721	37214	0.035
1973	V8 5.7L		6IR5	3721	37214	0.035
1973	V8 7.4L		6IR5	3721	37214	0.035

Make Model Year	Engine Size	Notes:	Plug Type	MSD PN Single	MSD PN 4-Pack	Pre-Gap Setting**
1972	L6 4.1L		6IR5	3721	37214	0.035
1972	L6 4.8L		6IR5	3721	37214	0.035
1972	V8 5.0L		6IR5	3721	37214	0.035
1972	V8 5.7L		6IR5	3721	37214	0.035
1971	L6 4.1L		6IR5	3721	37214	0.035
1971	L6 4.8L		6IR5	3721	37214	0.035
1971	V8 5.0L		6IR4Y	3720	37204	0.035
1971	V8 5.7L	215 HP	6IR5	3721	37214	0.035
1971	V8 5.7L	250 HP	6IR4Y	3720	37204	0.035
1970	L6 4.1L		6IR5	3721	37214	0.035
1970	L6 4.8L		6IR5	3721	37214	0.035
1970	V8 5.0L		15IR6	3740	37404	0.032
1970	V8 5.7L		15IR6	3740	37404	0.032
1969	L6 4.1L		11IR4Y	3731	37314	0.035
1969	L6 4.8L		11IR5	3732	37324	0.032
1969	V8 5.0L		15IR6	3740	37404	0.032
1969	V8 5.7L		15IR6	3740	37404	0.032
<b>Brookwood</b>						
1972	V8 5.7L		6IR5	3721	37214	0.035
1972	V8 6.6L		6IR5	3721	37214	0.035
1971	V8 5.7L		6IR4Y	3720	37204	0.035
1970	V8 5.7L		15IR5Y	3739	37394	0.035
1970	V8 6.6L		15IR6	3740	37404	0.032
1969	L6 4.1L		11IR4Y	3731	37314	0.035
1969	V8 5.7L		15IR5Y	3739	37394	0.035
<b>C10</b>						
1986-85	V6 4.3L		6IR5Y	3722	37224	0.035
1986-85	V8 5.0L	Vin F	6IR5Y	3722	37224	0.035
1986-85	V8 5.0L	Vin H	6IR4Y	3720	37204	0.035
1986-85	V8 5.7L	Vin L	6IR5Y	3722	37224	0.035
1986-85	V8 5.7L	Vin M	6IR5	3721	37214	0.035
1984	L6 4.1L		6IR4Y	3720	37204	0.035
1984	V8 5.0L	Vin F	6IR5Y	3722	37224	0.035
1984	V8 5.0L	Vin H	6IR4Y	3720	37204	0.035
1984	V8 5.7L		6IR4Y	3720	37204	0.035
1983	L6 4.1L		6IR4Y	3720	37204	0.035
1983	V8 5.0L		6IR4Y	3720	37204	0.035
1983	V8 5.7L	Vin L, Heavy Duty	6IR5	3721	37214	0.035
1983	V8 5.7L	Vin L, Light Duty	6IR4Y	3720	37204	0.035
1983	V8 5.7L	Vin M, Heavy Duty	6IR5	3721	37214	0.035
1982	L6 4.1L		6IR4Y	3720	37204	0.035
1982	V8 5.0L		6IR4Y	3720	37204	0.035
1982	V8 5.7L	Heavy Duty	6IR5	3721	37214	0.035
1982	V8 5.7L	Light Duty	6IR4Y	3720	37204	0.035
1981	L6 4.1L		6IR4Y	3720	37204	0.035
1981	V8 5.0L		6IR4Y	3720	37204	0.035
1981	V8 5.7L	Vin L, Heavy Duty	6IR5	3721	37214	0.035
1981	V8 5.7L	Vin L, Light Duty	6IR4Y	3720	37204	0.035
1980	L6 4.1L		6IR4Y	3720	37204	0.035
1980	L6 4.8L		6IR5	3721	37214	0.035
1980	V8 5.0L		6IR4Y	3720	37204	0.035
1980	V8 5.7L	Vin L, Heavy Duty	6IR5	3721	37214	0.035
1980	V8 5.7L	Vin L, Light Duty	6IR4Y	3720	37204	0.035
1980	V8 5.7L	Vin M, Heavy Duty	6IR5	3721	37214	0.035
1980	V8 5.7L	Vin P	6IR4Y	3720	37204	0.035
1980	V8 6.6L	Heavy Duty	6IR5	3721	37214	0.035
1980	V8 6.6L	Light Duty	6IR4Y	3720	37204	0.035
1980	V8 7.4L	Heavy Duty	6IR5	3721	37214	0.035
1980	V8 7.4L	Light Duty	6IR4Y	3720	37204	0.035
1979	L6 4.1L		6IR4Y	3720	37204	0.035
1979	L6 4.8L		6IR5	3721	37214	0.035
1979	V8 5.0L	Heavy Duty	6IR5	3721	37214	0.035
1979	V8 5.0L	Light Duty	6IR4Y	3720	37204	0.035
1979	V8 5.7L	Vin L, Heavy Duty	6IR5	3721	37214	0.035
1979	V8 5.7L	Vin L, Light Duty	6IR4Y	3720	37204	0.035
1979	V8 6.6L	Heavy Duty	6IR5	3721	37214	0.035
1979	V8 6.6L	Light Duty	6IR4Y	3720	37204	0.035
1979	V8 7.4L	Heavy Duty	6IR5	3721	37214	0.035
1979	V8 7.4L	Light Duty	6IR4Y	3720	37204	0.035
1978	L6 4.1L	Heavy Duty	6IR5	3721	37214	0.035
1978	L6 4.1L	Light Duty	6IR4Y	3720	37204	0.035

\* Short Style 6 Series - PN 3741 (single), PN 37414 (4pk) - Pre-gapped 0.035  
\* Short Style 7 Series - PN 3742 (single), PN 37424 (4pk) - Pre-gapped 0.035

CPB's = Coil Plug Boots  
\*\* Pre-gapped for optimal performance.



Make Model Year	Engine Size	Notes:	Plug Type	MSD PN Single	MSD PN 4-Pack	Pre-Gap Setting**
1978	L6 4.8L		6IR5	3721	37214	0.035
1978	V8 5.0L Heavy Duty		6IR5	3721	37214	0.035
1978	V8 5.0L Light Duty		6IR4Y	3720	37204	0.035
1978	V8 5.7L Vin L, California		6IR5Y	3722	37224	0.035
1978	V8 5.7L Vin L, Heavy Duty		6IR5	3721	37214	0.035
1978	V8 5.7L Vin L, Light Duty		6IR4Y	3720	37204	0.035
1978	V8 6.6L Heavy Duty		6IR5	3721	37214	0.035
1978	V8 6.6L Light Duty		6IR4Y	3720	37204	0.035
1978	V8 7.4L Heavy Duty		6IR5	3721	37214	0.035
1978	V8 7.4L Light Duty		6IR4Y	3720	37204	0.035
1977	L6 4.1L Heavy Duty		6IR5	3721	37214	0.035
1977	L6 4.1L Light Duty		6IR4Y	3720	37204	0.035
1977	L6 4.8L		6IR5	3721	37214	0.035
1977	V8 5.0L Heavy Duty		6IR5	3721	37214	0.035
1977	V8 5.0L Light Duty		6IR4Y	3720	37204	0.035
1977	V8 5.7L California		6IR5Y	3722	37224	0.035
1977	V8 5.7L Heavy Duty		6IR5	3721	37214	0.035
1977	V8 5.7L Light Duty		6IR4Y	3720	37204	0.035
1977	V8 6.6L Heavy Duty		6IR5	3721	37214	0.035
1977	V8 6.6L Light Duty		6IR4Y	3720	37204	0.035
1977	V8 7.4L Heavy Duty		6IR5	3721	37214	0.035
1977	V8 7.4L Light Duty		6IR4Y	3720	37204	0.035
1976	L6 4.1L Heavy Duty		6IR5	3721	37214	0.035
1976	L6 4.1L Light Duty		6IR4Y	3720	37204	0.035
1976	L6 4.8L		6IR5	3721	37214	0.035
1976	V8 5.0L Heavy Duty		6IR5	3721	37214	0.035
1976	V8 5.0L Light Duty		6IR4Y	3720	37204	0.035
1976	V8 5.7L		6IR4Y	3720	37204	0.035
1976	V8 6.6L Heavy Duty		6IR5	3721	37214	0.035
1976	V8 6.6L Light Duty		6IR4Y	3720	37204	0.035
1976	V8 7.4L Heavy Duty		6IR5	3721	37214	0.035
1976	V8 7.4L Light Duty		6IR4Y	3720	37204	0.035
1975	L6 4.1L		6IR5Y	3722	37224	0.035
1975	L6 4.8L HEI		6IR5Y	3722	37224	0.035
1975	L6 4.8L W/O HEI		6IR5	3721	37214	0.035
1975	V8 5.7L		6IR5	3721	37214	0.035
1975	V8 7.4L HEI		6IR5Y	3722	37224	0.035
1975	V8 7.4L W/O HEI		6IR5	3721	37214	0.035
<b>C10 Pickup</b>						
1974	L6 4.1L		6IR5	3721	37214	0.035
1974	L6 4.8L		6IR5	3721	37214	0.035
1974	V8 5.7L CARB		6IR5	3721	37214	0.035
1974	V8 5.7L FI		6IR5	3721	37214	0.035
1974	V8 7.4L		6IR5	3721	37214	0.035
1973	L6 4.1L		6IR5	3721	37214	0.035
1973	L6 4.8L		6IR5	3721	37214	0.035
1973	V8 5.0L		6IR5	3721	37214	0.035
1973	V8 5.7L		6IR5	3721	37214	0.035
1973	V8 7.4L		6IR5	3721	37214	0.035
1972	L6 4.1L		6IR5	3721	37214	0.035
1972	V8 5.0L		6IR5	3721	37214	0.035
1972	V8 5.7L		6IR5	3721	37214	0.035
1972	V8 6.6L		6IR5	3721	37214	0.035
1971	L6 4.1L		6IR4Y	3720	37204	0.035
1971	L6 4.8L		6IR5	3721	37214	0.035
1971	V8 5.0L		6IR4Y	3720	37204	0.035
1971	V8 5.7L		6IR5	3721	37214	0.035
1971	V8 6.6L		6IR4Y	3720	37204	0.035
1970	L6 4.1L		6IR5	3721	37214	0.035
1970	L6 4.8L		6IR5	3721	37214	0.035
1970	V8 5.0L		15IR6	3740	37404	0.032
1970	V8 5.7L		15IR6	3740	37404	0.032
1970	V8 6.6L		6IR5	3721	37214	0.035
1969	L6 4.1L		11IR4Y	3731	37314	0.035
1969	L6 4.8L		11IR6	3734	37344	0.032
1969	V8 5.0L		15IR6	3740	37404	0.032
1969	V8 5.7L		15IR6	3740	37404	0.032
1969	V8 6.5L		11IR5Y	3733	37334	0.035
1968	L6 4.1L		11IR4Y	3731	37314	0.035
1968	L6 4.8L		11IR6	3734	37344	0.032
1968	V8 5.0L		15IR5Y	3739	37394	0.035

CPB's = Coil Plug Boots  
 \*\* Pre-gapped for optimal performance.

Make Model Year	Engine Size	Notes:	Plug Type	MSD PN Single	MSD PN 4-Pack	Pre-Gap Setting**
1968	V8 5.4L		15IR6	3740	37404	0.032
1968	V8 6.5L		11IR5Y	3733	37334	0.035
1967	L6 4.1L		11IR4Y	3731	37314	0.035
1967	L6 4.8L		11IR6	3734	37344	0.032
1967	V8 4.6L		15IR6	3740	37404	0.032
1967	V8 5.3L		15IR6	3740	37404	0.032
1966	L6 3.8L		11IR4Y	3731	37314	0.035
1966	L6 4.1L		11IR4Y	3731	37314	0.035
1966	L6 4.8L		11IR6	3734	37344	0.032
1966	V8 4.6L		15IR6	3740	37404	0.032
1966	V8 5.3L		15IR6	3740	37404	0.032
1965-64	L6 3.8L		11IR4Y	3731	37314	0.035
1965-64	L6 4.8L		11IR6	3734	37344	0.032
1965-64	V8 4.6L		15IR6	3740	37404	0.032
1965-64	V8 5.3L		15IR6	3740	37404	0.032
1963	L6 3.8L		11IR4Y	3731	37314	0.035
1963	L6 4.8L		11IR6	3734	37344	0.032
1963	V8 4.6L		15IR6	3740	37404	0.032
1962	L6 3.8L		15IR6	3740	37404	0.032
1962	V8 4.6L		15IR6	3740	37404	0.032
1962	V8 5.3L		15IR6	3740	37404	0.032
1961	L6 3.8L		15IR6	3740	37404	0.032
1961	V8 4.6L		15IR6	3740	37404	0.032
<b>C10 Suburban</b>						
1986-85	V8 5.0L Vin F		6IR5Y	3722	37224	0.035
1986-85	V8 5.0L Vin H		6IR4Y	3720	37204	0.035
1986-85	V8 5.7L Vin L		6IR5Y	3722	37224	0.035
1986-85	V8 5.7L Vin M		6IR5	3721	37214	0.035
1984	V8 5.0L Vin F		6IR5Y	3722	37224	0.035
1984	V8 5.0L Vin H		6IR4Y	3720	37204	0.035
1984	V8 5.7L		6IR5Y	3722	37224	0.035
1983-82	V8 5.0L		6IR4Y	3720	37204	0.035
1983-82	V8 5.7L		6IR4Y	3720	37204	0.035
1981	V8 5.0L		6IR4Y	3720	37204	0.035
1981	V8 5.7L Heavy Duty		6IR5	3721	37214	0.035
1981	V8 5.7L Light Duty		6IR4Y	3720	37204	0.035
1980	L6 4.1L		6IR4Y	3720	37204	0.035
1980	V8 5.0L		6IR4Y	3720	37204	0.035
1980	V8 5.7L Vin L, Heavy Duty		6IR5	3721	37214	0.035
1980	V8 5.7L Vin L, Light Duty		6IR4Y	3720	37204	0.035
1980	V8 5.7L Vin M, Heavy Duty		6IR5	3721	37214	0.035
1980	V8 5.7L Vin M, Light Duty		6IR4Y	3720	37204	0.035
1980	V8 7.4L Heavy Duty		6IR5	3721	37214	0.035
1980	V8 7.4L Light Duty		6IR4Y	3720	37204	0.035
1979	L6 4.1L		6IR4Y	3720	37204	0.035
1979	V8 5.0L		6IR4Y	3720	37204	0.035
1979	V8 5.7L Vin L, Heavy Duty		6IR5	3721	37214	0.035
1979	V8 5.7L Vin L, Light Duty		6IR4Y	3720	37204	0.035
1979	V8 7.4L Heavy Duty		6IR5	3721	37214	0.035
1979	V8 7.4L Light Duty		6IR4Y	3720	37204	0.035
1978	L6 4.1L		6IR4Y	3720	37204	0.035
1978	V8 5.0L Heavy Duty		6IR5	3721	37214	0.035
1978	V8 5.0L Light Duty		6IR4Y	3720	37204	0.035
1978	V8 5.7L Vin L, California		6IR5Y	3722	37224	0.035
1978	V8 5.7L Vin L, Heavy Duty		6IR5	3721	37214	0.035
1978	V8 5.7L Vin L, Light Duty		6IR4Y	3720	37204	0.035
1978	V8 7.4L Heavy Duty		6IR5	3721	37214	0.035
1978	V8 7.4L Light Duty		6IR4Y	3720	37204	0.035
1977	L6 4.1L		6IR4Y	3720	37204	0.035
1977	V8 5.0L Heavy Duty		6IR5	3721	37214	0.035
1977	V8 5.0L Light Duty		6IR4Y	3720	37204	0.035
1977	V8 5.7L California		6IR5Y	3722	37224	0.035
1977	V8 5.7L Heavy Duty		6IR5	3721	37214	0.035
1977	V8 5.7L Light Duty		6IR4Y	3720	37204	0.035
1977	V8 7.4L		6IR4Y	3720	37204	0.035
1976	L6 4.1L		6IR4Y	3720	37204	0.035
1976	V8 5.0L Heavy Duty		6IR5	3721	37214	0.035
1976	V8 5.0L Light Duty		6IR4Y	3720	37204	0.035
1976	V8 5.7L Heavy Duty		6IR5	3721	37214	0.035
1976	V8 5.7L Light Duty		6IR4Y	3720	37204	0.035
1976	V8 7.4L Light Duty		6IR4Y	3720	37204	0.035

\* Short Style 6 Series - PN 3741 (single), PN 37414 (4pk) - Pre-gapped 0.035  
 \* Short Style 7 Series - PN 3742 (single), PN 37424 (4pk) - Pre-gapped 0.035



**Chevrolet C10 Suburban continued**

Make Model Year	Engine Size	Notes:	Plug Type	MSD PN Single	MSD PN 4-Pack	Pre-Gap Setting**
1975	L6 4.1L		6IR5Y	3722	37224	0.035
1975	V8 5.7L	HEI	6IR5Y	3722	37224	0.035
1975	V8 5.7L	Light Duty	6IR5	3721	37214	0.035
1975	V8 7.4L	HEI	6IR5Y	3722	37224	0.035
1975	V8 7.4L	W/O HEI	6IR5	3721	37214	0.035
1974	L6 4.1L		6IR5	3721	37214	0.035
1974	L6 4.8L		6IR5	3721	37214	0.035
1974	V8 5.7L	CARB	6IR5	3721	37214	0.035
1974	V8 5.7L	FI	6IR5	3721	37214	0.035
1974	V8 7.4L		6IR5	3721	37214	0.035
1973	L6 4.1L		6IR5	3721	37214	0.035
1973	L6 4.8L		6IR5	3721	37214	0.035
1973	V8 5.0L		6IR5	3721	37214	0.035
1973	V8 5.7L		6IR5	3721	37214	0.035
1973	V8 7.4L		6IR5	3721	37214	0.035
1972	L6 4.1L		6IR5	3721	37214	0.035
1972	V8 5.0L		6IR5	3721	37214	0.035
1972	V8 5.7L		6IR5	3721	37214	0.035
1972	V8 6.6L		6IR5	3721	37214	0.035
1971	L6 4.1L		6IR5	3721	37214	0.035
1971	L6 4.8L		6IR5	3721	37214	0.035
1971	V8 5.0L		6IR4Y	3720	37204	0.035
1971	V8 5.7L		6IR5	3721	37214	0.035
1971	V8 6.6L		6IR4Y	3720	37204	0.035
1970	L6 4.1L		6IR5	3721	37214	0.035
1970	L6 4.8L		6IR5	3721	37214	0.035
1970	V8 5.0L		15IR6	3740	37404	0.032
1970	V8 5.7L		15IR6	3740	37404	0.032
1970	V8 6.6L		6IR5	3721	37214	0.035
1969	L6 4.1L		11IR4Y	3731	37314	0.035
1969	L6 4.8L		11IR6	3734	37344	0.032
1969	V8 5.0L		15IR6	3740	37404	0.032
1969	V8 5.7L		15IR6	3740	37404	0.032
1969	V8 6.5L		11IR5Y	3733	37334	0.035
1968	L6 4.1L		11IR4Y	3731	37314	0.035
1968	L6 4.8L		11IR6	3734	37344	0.032
1968	V8 5.0L		15IR5Y	3739	37394	0.035
1968	V8 5.4L		15IR6	3740	37404	0.032
1968	V8 6.5L		11IR5Y	3733	37334	0.035
<b>C20</b>						
1986	L6 4.8L		6IR5	3721	37214	0.035
1986	V6 4.3L		6IR5Y	3722	37224	0.035
1986	V8 5.0L		6IR4Y	3720	37204	0.035
1986	V8 5.7L	Vin L	6IR5Y	3722	37224	0.035
1986	V8 5.7L	Vin M	6IR5	3721	37214	0.035
1986	V8 7.4L		6IR5	3721	37214	0.035
1985	L6 4.8L		6IR5	3721	37214	0.035
1985	V6 4.3L		6IR5Y	3722	37224	0.035
1985	V8 5.0L		6IR4Y	3720	37204	0.035
1985	V8 5.7L	Vin L	6IR5Y	3722	37224	0.035
1985	V8 5.7L	Vin M	6IR5	3721	37214	0.035
1985	V8 7.4L		6IR5	3721	37214	0.035
1984	L6 4.1L		6IR4Y	3720	37204	0.035
1984	L6 4.8L		6IR5	3721	37214	0.035
1984	V8 5.0L		6IR4Y	3720	37204	0.035
1984	V8 5.7L	Vin L	6IR4Y	3720	37204	0.035
1984	V8 5.7L	Vin M, Heavy Duty	6IR5	3721	37214	0.035
1984	V8 5.7L	Vin M, Light Duty	6IR4Y	3720	37204	0.035
1984	V8 7.4L		6IR5	3721	37214	0.035
1983	L6 4.1L		6IR4Y	3720	37204	0.035
1983	L6 4.8L		6IR5	3721	37214	0.035
1983	V8 5.0L		6IR4Y	3720	37204	0.035
1983	V8 5.7L	Vin L, Light Duty	6IR4Y	3720	37204	0.035
1983	V8 5.7L	Vin M, Heavy Duty	6IR5	3721	37214	0.035
1983	V8 5.7L	Vin M, Light Duty	6IR4Y	3720	37204	0.035
1983	V8 7.4L		6IR5	3721	37214	0.035
1982-81	L6 4.1L		6IR4Y	3720	37204	0.035
1982-81	L6 4.8L		6IR5	3721	37214	0.035
1982-81	V8 5.0L		6IR4Y	3720	37204	0.035
1982-81	V8 5.7L	Heavy Duty	6IR5	3721	37214	0.035
1982-81	V8 5.7L	Light Duty	6IR4Y	3720	37204	0.035

Make Model Year	Engine Size	Notes:	Plug Type	MSD PN Single	MSD PN 4-Pack	Pre-Gap Setting**
1982-81	V8 7.4L		6IR5	3721	37214	0.035
1980	L6 4.1L		6IR4Y	3720	37204	0.035
1980	L6 4.8L		6IR5	3721	37214	0.035
1980	V8 5.0L		6IR4Y	3720	37204	0.035
1980	V8 5.7L	Vin L, Heavy Duty	6IR5	3721	37214	0.035
1980	V8 5.7L	Vin L, Light Duty	6IR4Y	3720	37204	0.035
1980	V8 5.7L	Vin M, Heavy Duty	6IR5	3721	37214	0.035
1980	V8 5.7L	Vin M, Light Duty	6IR4Y	3720	37204	0.035
1980	V8 5.7L	Vin P	6IR4Y	3720	37204	0.035
1980	V8 6.6L	Heavy Duty	6IR5	3721	37214	0.035
1980	V8 6.6L	Light Duty	6IR4Y	3720	37204	0.035
1980	V8 7.4L	Heavy Duty	6IR5	3721	37214	0.035
1980	V8 7.4L	Light Duty	6IR4Y	3720	37204	0.035
1979	L6 4.1L		6IR4Y	3720	37204	0.035
1979	L6 4.8L		6IR5	3721	37214	0.035
1979	V8 5.0L	Heavy Duty	6IR5	3721	37214	0.035
1979	V8 5.0L	Light Duty	6IR4Y	3720	37204	0.035
1979	V8 5.7L	Heavy Duty	6IR5	3721	37214	0.035
1979	V8 5.7L	Light Duty	6IR4Y	3720	37204	0.035
1979	V8 6.6L	Heavy Duty	6IR5	3721	37214	0.035
1979	V8 6.6L	Light Duty	6IR4Y	3720	37204	0.035
1979	V8 7.4L	Heavy Duty	6IR5	3721	37214	0.035
1979	V8 7.4L	Light Duty	6IR4Y	3720	37204	0.035
1978	L6 4.1L	Heavy Duty	6IR5	3721	37214	0.035
1978	L6 4.1L	Light Duty	6IR4Y	3720	37204	0.035
1978	L6 4.8L		6IR5	3721	37214	0.035
1978	V8 5.0L	Heavy Duty	6IR5	3721	37214	0.035
1978	V8 5.0L	Light Duty	6IR4Y	3720	37204	0.035
1978	V8 5.7L	California	6IR5Y	3722	37224	0.035
1978	V8 5.7L	Heavy Duty	6IR5	3721	37214	0.035
1978	V8 5.7L	Light Duty	6IR4Y	3720	37204	0.035
1978	V8 6.6L	Heavy Duty	6IR5	3721	37214	0.035
1978	V8 6.6L	Light Duty	6IR4Y	3720	37204	0.035
1978	V8 7.4L	Heavy Duty	6IR5	3721	37214	0.035
1978	V8 7.4L	Light Duty	6IR4Y	3720	37204	0.035
1977	L6 4.1L	Heavy Duty	6IR5	3721	37214	0.035
1977	L6 4.1L	Light Duty	6IR4Y	3720	37204	0.035
1977	L6 4.8L		6IR5	3721	37214	0.035
1977	V8 5.0L	Heavy Duty	6IR5	3721	37214	0.035
1977	V8 5.0L	Light Duty	6IR4Y	3720	37204	0.035
1977	V8 5.7L	California	6IR5Y	3722	37224	0.035
1977	V8 5.7L	Heavy Duty	6IR5	3721	37214	0.035
1977	V8 5.7L	Light Duty	6IR4Y	3720	37204	0.035
1977	V8 6.6L	Heavy Duty	6IR5	3721	37214	0.035
1977	V8 6.6L	Light Duty	6IR4Y	3720	37204	0.035
1977	V8 7.4L	Heavy Duty	6IR5	3721	37214	0.035
1977	V8 7.4L	Light Duty	6IR4Y	3720	37204	0.035
1976	L6 4.1L	Heavy Duty	6IR5	3721	37214	0.035
1976	L6 4.1L	Light Duty	6IR4Y	3720	37204	0.035
1976	L6 4.8L		6IR5	3721	37214	0.035
1976	V8 5.7L		6IR4Y	3720	37204	0.035
1976	V8 6.6L	Heavy Duty	6IR5	3721	37214	0.035
1976	V8 6.6L	Light Duty	6IR4Y	3720	37204	0.035
1976	V8 7.4L		6IR4Y	3720	37204	0.035
1975	L6 4.1L		6IR5Y	3722	37224	0.035
1975	L6 4.8L	HEI	6IR5Y	3722	37224	0.035
1975	L6 4.8L	W/O HEI	6IR5	3721	37214	0.035
1975	V8 5.7L	HEI	6IR5Y	3722	37224	0.035
1975	V8 5.7L	W/O HEI	6IR5	3721	37214	0.035
1975	V8 7.4L	HEI	6IR5Y	3722	37224	0.035
1975	V8 7.4L	W/O HEI	6IR5	3721	37214	0.035
<b>C20 Pickup</b>						
1974	L6 4.1L		6IR5	3721	37214	0.035
1974	L6 4.8L		6IR5	3721	37214	0.035
1974	V8 5.7L	CARB	6IR5	3721	37214	0.035
1974	V8 5.7L	FI	6IR5	3721	37214	0.035
1974	V8 7.4L		6IR5	3721	37214	0.035
1973	L6 4.1L		6IR5	3721	37214	0.035
1973	L6 4.8L		6IR5	3721	37214	0.035
1973	V8 5.0L		6IR5	3721	37214	0.035
1973	V8 5.7L		6IR5	3721	37214	0.035
1973	V8 7.4L		6IR5	3721	37214	0.035

\* Short Style 6 Series - PN 3741 (single), PN 37414 (4pk) - Pre-gapped 0.035  
 \* Short Style 7 Series - PN 3742 (single), PN 37424 (4pk) - Pre-gapped 0.035

CPB's = Coil Plug Boots  
 \*\* Pre-gapped for optimal performance.





Make Model Year	Engine Size	Notes:	Plug Type	MSD PN Single	MSD PN 4-Pack	Pre-Gap Setting**
1972	L6 4.1L		6IR5	3721	37214	0.035
1972	L6 4.8L		6IR5	3721	37214	0.035
1972	V8 5.0L		6IR5	3721	37214	0.035
1972	V8 5.7L		6IR5	3721	37214	0.035
1971	L6 4.1L		6IR4Y	3720	37204	0.035
1971	L6 4.8L		6IR5	3721	37214	0.035
1971	V8 5.0L		6IR4Y	3720	37204	0.035
1971	V8 5.7L		6IR5	3721	37214	0.035
1971	V8 6.6L		6IR4Y	3720	37204	0.035
1970	L6 4.1L		6IR5	3721	37214	0.035
1970	L6 4.8L		6IR5	3721	37214	0.035
1970	V8 5.0L		15IR6	3740	37404	0.032
1970	V8 5.7L		15IR6	3740	37404	0.032
1970	V8 6.6L		6IR5	3721	37214	0.035
1969	L6 4.1L		11IR4Y	3731	37314	0.035
1969	L6 4.8L		11IR6	3734	37344	0.032
1969	V8 5.0L		15IR6	3740	37404	0.032
1969	V8 5.7L		15IR6	3740	37404	0.032
1969	V8 6.5L		11IR5Y	3733	37334	0.035
1968	L6 4.1L		11IR4Y	3731	37314	0.035
1968	L6 4.8L		11IR6	3734	37344	0.032
1968	V8 5.0L		15IR5Y	3739	37394	0.035
1968	V8 5.4L		15IR6	3740	37404	0.032
1968	V8 6.5L		11IR5Y	3733	37334	0.035
1967-66	L6 4.1L		11IR4Y	3731	37314	0.035
1967-66	L6 4.8L		11IR6	3734	37344	0.032
1967-66	V8 4.6L		15IR6	3740	37404	0.032
1967-66	V8 5.3L		15IR6	3740	37404	0.032
1967-66	V8 6.0L		11IR6	3734	37344	0.032
1965-64	L6 3.8L		11IR4Y	3731	37314	0.035
1965-64	L6 4.8L		11IR6	3734	37344	0.032
1965-64	V8 4.6L		15IR6	3740	37404	0.032
1965-64	V8 5.3L		15IR6	3740	37404	0.032
1965-64	V8 5.7L		11IR6	3734	37344	0.032
1965-64	V8 6.7L		11IR5	3732	37324	0.032
1963	L6 3.8L		11IR4Y	3731	37314	0.035
1963	L6 4.8L		11IR6	3734	37344	0.032
1963	V8 4.6L		15IR6	3740	37404	0.032
1962	L6 3.8L		15IR6	3740	37404	0.032
1962	V8 4.6L		15IR6	3740	37404	0.032
1962	V8 5.3L		15IR6	3740	37404	0.032
1962	V8 5.7L		11IR6	3734	37344	0.032
1962	V8 6.7L		11IR5	3732	37324	0.032
1961	L6 3.8L		15IR6	3740	37404	0.032
1961	V8 4.6L		15IR6	3740	37404	0.032
<b>C20 Suburban</b>						
1986-84	V8 5.0L		6IR4Y	3720	37204	0.035
1986-84	V8 5.7L	Vin L	6IR5Y	3722	37224	0.035
1986-84	V8 5.7L	Vin M	6IR5	3721	37214	0.035
1986-84	V8 7.4L		6IR5	3721	37214	0.035
1983	V8 5.0L		6IR4Y	3720	37204	0.035
1983	V8 5.7L	Heavy Duty	6IR5	3721	37214	0.035
1983	V8 5.7L	Light Duty	6IR4Y	3720	37204	0.035
1983	V8 7.4L		6IR5	3721	37214	0.035
1982-81	L6 4.8L		6IR5	3721	37214	0.035
1982-81	V8 5.0L		6IR4Y	3720	37204	0.035
1982-81	V8 5.7L	Heavy Duty	6IR5	3721	37214	0.035
1982-81	V8 5.7L	Light Duty	6IR4Y	3720	37204	0.035
1982-81	V8 7.4L		6IR5	3721	37214	0.035
1980-79	L6 4.8L		6IR5	3721	37214	0.035
1980-79	V8 5.0L		6IR4Y	3720	37204	0.035
1980-79	V8 5.7L	Heavy Duty	6IR5	3721	37214	0.035
1980-79	V8 5.7L	Light Duty	6IR4Y	3720	37204	0.035
1980-79	V8 6.6L	Heavy Duty	6IR5	3721	37214	0.035
1980-79	V8 6.6L	Light Duty	6IR4Y	3720	37204	0.035
1980-79	V8 7.4L	Heavy Duty	6IR5	3721	37214	0.035
1980-79	V8 7.4L	Light Duty	6IR4Y	3720	37204	0.035
1978	L6 4.8L		6IR5	3721	37214	0.035
1978	V8 5.0L	Heavy Duty	6IR5	3721	37214	0.035
1978	V8 5.0L	Light Duty	6IR4Y	3720	37204	0.035
1978	V8 5.7L	California	6IR5Y	3722	37224	0.035

Make Model Year	Engine Size	Notes:	Plug Type	MSD PN Single	MSD PN 4-Pack	Pre-Gap Setting**
1978	V8 5.7L	Heavy Duty	6IR5	3721	37214	0.035
1978	V8 5.7L	Light Duty	6IR4Y	3720	37204	0.035
1978	V8 6.6L	Heavy Duty	6IR5	3721	37214	0.035
1978	V8 6.6L	Light Duty	6IR4Y	3720	37204	0.035
1978	V8 7.4L	Heavy Duty	6IR5	3721	37214	0.035
1978	V8 7.4L	Light Duty	6IR4Y	3720	37204	0.035
1977	L6 4.8L		6IR5	3721	37214	0.035
1977	V8 5.0L	Heavy Duty	6IR5	3721	37214	0.035
1977	V8 5.0L	Light Duty	6IR4Y	3720	37204	0.035
1977	V8 5.7L	California	6IR5Y	3722	37224	0.035
1977	V8 5.7L	Heavy Duty	6IR5	3721	37214	0.035
1977	V8 5.7L	Light Duty	6IR4Y	3720	37204	0.035
1977	V8 6.6L	California	6IR5Y	3722	37224	0.035
1977	V8 6.6L	Heavy Duty	6IR5	3721	37214	0.035
1977	V8 6.6L	Light Duty	6IR4Y	3720	37204	0.035
1977	V8 7.4L		6IR4Y	3720	37204	0.035
1976	L6 4.8L		6IR5	3721	37214	0.035
1976	V8 5.0L	Heavy Duty	6IR5	3721	37214	0.035
1976	V8 5.0L	Light Duty	6IR4Y	3720	37204	0.035
1976	V8 5.7L	Heavy Duty	6IR5	3721	37214	0.035
1976	V8 5.7L	Light Duty	6IR4Y	3720	37204	0.035
1976	V8 6.6L	Heavy Duty	6IR5	3721	37214	0.035
1976	V8 6.6L	Light Duty	6IR4Y	3720	37204	0.035
1976	V8 7.4L		6IR4Y	3720	37204	0.035
1975	L6 4.8L	Heavy Duty & w/o HEI	6IR5	3721	37214	0.035
1975	L6 4.8L	Light Duty & HEI	6IR5Y	3722	37224	0.035
1975	V8 5.7L	HEI	6IR5Y	3722	37224	0.035
1975	V8 5.7L	Light Duty	6IR5	3721	37214	0.035
1975	V8 7.4L	HEI	6IR5Y	3722	37224	0.035
1975	V8 7.4L	W/O HEI	6IR5	3721	37214	0.035
1974	L6 4.1L		6IR5	3721	37214	0.035
1974	L6 4.8L		6IR5	3721	37214	0.035
1974	V8 5.7L	CARB	6IR5	3721	37214	0.035
1974	V8 5.7L	FI	6IR5	3721	37214	0.035
1974	V8 7.4L		6IR5	3721	37214	0.035
1973	L6 4.1L		6IR5	3721	37214	0.035
1973	L6 4.8L		6IR5	3721	37214	0.035
1973	V8 5.0L		6IR5	3721	37214	0.035
1973	V8 5.7L		6IR5	3721	37214	0.035
1973	V8 7.4L		6IR5	3721	37214	0.035
1972	L6 4.1L		6IR5	3721	37214	0.035
1972	L6 4.8L		6IR5	3721	37214	0.035
1972	V8 5.0L		6IR5	3721	37214	0.035
1972	V8 5.7L		6IR5	3721	37214	0.035
1972	V8 6.6L		6IR5	3721	37214	0.035
1971	L6 4.1L	Vin C	6IR4Y	3720	37204	0.035
1971	L6 4.1L	Vin L	6IR5	3721	37214	0.035
1971	L6 4.8L		6IR5	3721	37214	0.035
1971	V8 5.0L		6IR4Y	3720	37204	0.035
1971	V8 5.7L		6IR5	3721	37214	0.035
1971	V8 6.6L		6IR4Y	3720	37204	0.035
1970	L6 4.1L		6IR5	3721	37214	0.035
1970	L6 4.8L		6IR5	3721	37214	0.035
1970	V8 5.0L		15IR6	3740	37404	0.032
1970	V8 5.7L		15IR6	3740	37404	0.032
1970	V8 6.6L		6IR5	3721	37214	0.035
1969	L6 4.1L		11IR4Y	3731	37314	0.035
1969	L6 4.8L		11IR6	3734	37344	0.032
1969	V8 5.0L		15IR6	3740	37404	0.032
1969	V8 5.7L		15IR6	3740	37404	0.032
1968	L6 4.1L		11IR4Y	3731	37314	0.035
1968	L6 4.8L		11IR6	3734	37344	0.032
1968	V8 5.0L		15IR5Y	3739	37394	0.035
1968	V8 5.4L		N/A	N/A	N/A	
1968	V8 6.5L		11IR5Y	3733	37334	0.035

CPB's = Coil Plug Boots  
 \*\* Pre-gapped for optimal performance.

\* Short Style 6 Series - PN 3741 (single), PN 37414 (4pk) - Pre-gapped 0.035  
 \* Short Style 7 Series - PN 3742 (single), PN 37424 (4pk) - Pre-gapped 0.035



Make Model Year	Engine Size	Notes:	Plug Type	MSD PN Single	MSD PN 4-Pack	Pre-Gap Setting**
<b>C30</b>						
1986	L6 4.8L		6IR5	3721	37214	0.035
1986	V8 5.0L		6IR4Y	3720	37204	0.035
1986	V8 5.7L		6IR5	3721	37214	0.035
1986	V8 7.4L		6IR5	3721	37214	0.035
1985	L6 4.8L		6IR5	3721	37214	0.035
1985	V8 5.7L		6IR5	3721	37214	0.035
1985	V8 7.4L		6IR5	3721	37214	0.035
1984	L6 4.8L		6IR5	3721	37214	0.035
1984	V8 5.7L	Heavy Duty	6IR5	3721	37214	0.035
1984	V8 5.7L	Light Duty	6IR4Y	3720	37204	0.035
1984	V8 7.4L		6IR5	3721	37214	0.035
1983	L6 4.8L		6IR5	3721	37214	0.035
1983	V8 5.7L	Vin L, Light Duty	6IR4Y	3720	37204	0.035
1983	V8 5.7L	Vin M, Heavy Duty	6IR5	3721	37214	0.035
1983	V8 5.7L	Vin M, Light Duty	6IR4Y	3720	37204	0.035
1983	V8 7.4L		6IR5	3721	37214	0.035
1982-81	L6 4.8L		6IR5	3721	37214	0.035
1982-81	V8 5.7L	Heavy Duty	6IR5	3721	37214	0.035
1982-81	V8 5.7L	Light Duty	6IR4Y	3720	37204	0.035
1982-81	V8 7.4L		6IR5	3721	37214	0.035
1980	L6 4.1L		6IR4Y	3720	37204	0.035
1980	L6 4.8L		6IR5	3721	37214	0.035
1980	V8 5.7L	Heavy Duty	6IR5	3721	37214	0.035
1980	V8 5.7L	Light Duty	6IR4Y	3720	37204	0.035
1980	V8 7.4L	Heavy Duty	6IR5	3721	37214	0.035
1980	V8 7.4L	Light Duty	6IR4Y	3720	37204	0.035
1979	L6 4.1L		6IR4Y	3720	37204	0.035
1979	L6 4.8L		6IR5	3721	37214	0.035
1979	V8 5.0L	Heavy Duty	6IR5	3721	37214	0.035
1979	V8 5.0L	Light Duty	6IR4Y	3720	37204	0.035
1979	V8 5.7L	Heavy Duty	6IR5	3721	37214	0.035
1979	V8 5.7L	Light Duty	6IR4Y	3720	37204	0.035
1979	V8 6.6L	Heavy Duty	6IR5	3721	37214	0.035
1979	V8 6.6L	Light Duty	6IR4Y	3720	37204	0.035
1979	V8 7.4L	Heavy Duty	6IR5	3721	37214	0.035
1979	V8 7.4L	Light Duty	6IR4Y	3720	37204	0.035
1978	L6 4.1L	Heavy Duty	6IR5	3721	37214	0.035
1978	L6 4.1L	Light Duty	6IR4Y	3720	37204	0.035
1978	L6 4.8L		6IR5	3721	37214	0.035
1978	V8 5.0L	Heavy Duty	6IR5	3721	37214	0.035
1978	V8 5.0L	Light Duty	6IR4Y	3720	37204	0.035
1978	V8 5.7L	Vin L, California	6IR5Y	3722	37224	0.035
1978	V8 5.7L	Vin L, Heavy Duty	6IR5	3721	37214	0.035
1978	V8 5.7L	Vin L, Light Duty	6IR4Y	3720	37204	0.035
1978	V8 6.6L	Heavy Duty	6IR5	3721	37214	0.035
1978	V8 6.6L	Light Duty	6IR4Y	3720	37204	0.035
1978	V8 7.4L	Heavy Duty	6IR5	3721	37214	0.035
1978	V8 7.4L	Light Duty	6IR4Y	3720	37204	0.035
1977	L6 4.8L		6IR5	3721	37214	0.035
1977	V8 5.7L	California	6IR5Y	3722	37224	0.035
1977	V8 5.7L	Heavy Duty	6IR5	3721	37214	0.035
1977	V8 5.7L	Light Duty	6IR4Y	3720	37204	0.035
1977	V8 6.6L	Heavy Duty	6IR5	3721	37214	0.035
1977	V8 6.6L	Light Duty	6IR4Y	3720	37204	0.035
1977	V8 7.4L		6IR4Y	3720	37204	0.035
1976	L6 4.8L		6IR5	3721	37214	0.035
1976	V8 5.7L		6IR4Y	3720	37204	0.035
1976	V8 6.6L	Heavy Duty	6IR5	3721	37214	0.035
1976	V8 6.6L	Light Duty	6IR4Y	3720	37204	0.035
1976	V8 7.4L		6IR4Y	3720	37204	0.035
1975	L6 4.1L		6IR5Y	3722	37224	0.035
1975	L6 4.8L	HEI	6IR5Y	3722	37224	0.035
1975	L6 4.8L	W/O HEI	6IR5	3721	37214	0.035
1975	V8 5.7L	HEI	6IR5Y	3722	37224	0.035
1975	V8 5.7L	W/O HEI	6IR5	3721	37214	0.035
1975	V8 7.4L		6IR5Y	3722	37224	0.035

Make Model Year	Engine Size	Notes:	Plug Type	MSD PN Single	MSD PN 4-Pack	Pre-Gap Setting**
<b>C30 Pickup</b>						
1974	L6 4.1L		6IR5	3721	37214	0.035
1974	L6 4.8L		6IR5	3721	37214	0.035
1974	V8 5.7L	CARB	6IR5	3721	37214	0.035
1974	V8 5.7L	FI	6IR5	3721	37214	0.035
1974	V8 7.4L		6IR5	3721	37214	0.035
1973	L6 4.1L		6IR5	3721	37214	0.035
1973	L6 4.8L		6IR5	3721	37214	0.035
1973	V8 5.0L		6IR5	3721	37214	0.035
1973	V8 5.7L		6IR5	3721	37214	0.035
1973	V8 7.4L		6IR5	3721	37214	0.035
1972	L6 4.1L		6IR5	3721	37214	0.035
1972	L6 4.8L		6IR5	3721	37214	0.035
1972	V8 5.0L		6IR5	3721	37214	0.035
1972	V8 5.7L		6IR5	3721	37214	0.035
1971	L6 4.1L		6IR4Y	3720	37204	0.035
1971	L6 4.8L		6IR5	3721	37214	0.035
1971	V8 5.0L		6IR4Y	3720	37204	0.035
1971	V8 5.7L		6IR5	3721	37214	0.035
1971	V8 6.6L		6IR4Y	3720	37204	0.035
1970	L6 4.1L		6IR5	3721	37214	0.035
1970	L6 4.8L		6IR5	3721	37214	0.035
1970	V8 5.0L		N/A	N/A	N/A	
1970	V8 5.7L		N/A	N/A	N/A	
1970	V8 6.6L		6IR5	3721	37214	0.035
1969	L6 4.1L		11IR4Y	3731	37314	0.035
1969	L6 4.8L		11IR6	3734	37344	0.032
1969	V8 5.0L		N/A	N/A	N/A	
1969	V8 5.7L		N/A	N/A	N/A	
1969	V8 6.5L		11IR5Y	3733	37334	0.035
1968	L6 4.1L		11IR4Y	3731	37314	0.035
1968	L6 4.8L		11IR6	3734	37344	0.032
1968	V8 5.0L		15IR5Y	3739	37394	0.035
1968	V8 5.4L		15IR6	3740	37404	0.032
1968	V8 6.5L		11IR5Y	3733	37334	0.035
1967-66	L6 4.1L		11IR4Y	3731	37314	0.035
1967-66	L6 4.8L		11IR6	3734	37344	0.032
1967-66	V8 4.6L		15IR6	3740	37404	0.032
1967-66	V8 5.3L		15IR6	3740	37404	0.032
1967-66	V8 6.0L		11IR6	3734	37344	0.032
1965-64	L6 3.8L		11IR4Y	3731	37314	0.035
1965-64	L6 4.8L		11IR6	3734	37344	0.032
1965-64	V8 4.6L		15IR6	3740	37404	0.032
1965-64	V8 5.3L		15IR6	3740	37404	0.032
1965-64	V8 5.7L		11IR6	3734	37344	0.032
1965-64	V8 6.7L		11IR5	3732	37324	0.032
1963	L6 4.8L		11IR6	3734	37344	0.032
1963	V8 4.6L		15IR6	3740	37404	0.032
1962	L6 3.8L		15IR6	3740	37404	0.032
1962	V8 4.6L		15IR6	3740	37404	0.032
1962	V8 5.3L		15IR6	3740	37404	0.032
1962	V8 5.7L		11IR6	3734	37344	0.032
1962	V8 6.7L		11IR5	3732	37324	0.032
1961	L6 3.8L		15IR6	3740	37404	0.032
1961	V8 4.6L		15IR6	3740	37404	0.032
1961	V8 5.7L		11IR6	3734	37344	0.032
<b>C1500</b>						
1999	V8 5.0L		11R4Y	3711	37114	0.047
1999	V8 5.7L		11R4Y	3711	37114	0.047
1998-96	V6 4.3L		11R5L	3712	37124	0.047
1998-96	V8 5.0L		11R4Y	3711	37114	0.047
1998-96	V8 5.7L		11R4Y	3711	37114	0.047
1995-94	V6 4.3L		6IR5Y	3722	37224	0.035
1995-94	V8 5.0L		6IR5Y	3722	37224	0.035
1995-94	V8 5.7L		6IR5Y	3722	37224	0.035
1993-92	V6 4.3L		6IR5Y	3722	37224	0.035
1993-92	V8 5.0L		6IR5Y	3722	37224	0.035
1993-92	V8 5.7L	GAS	6IR5Y	3722	37224	0.035
1993-92	V8 7.4L		6IR5Y	3722	37224	0.035
1991-90	V6 4.3L		6IR5Y	3722	37224	0.035
1991-90	V8 5.0L		6IR5Y	3722	37224	0.035

\* Short Style 6 Series - PN 3741 (single), PN 37414 (4pk) - Pre-gapped 0.035  
 \* Short Style 7 Series - PN 3742 (single), PN 37424 (4pk) - Pre-gapped 0.035

CPB's = Coil Plug Boots  
 \*\* Pre-gapped for optimal performance.



Make Model Year	Engine Size	Notes:	Plug Type	MSD PN Single	MSD PN 4-Pack	Pre-Gap Setting**
1991-90	V8 5.7L		6IR5Y	3722	37224	0.035
1991-90	V8 7.4L		6IR5Y	3722	37224	0.035
1989-88	V6 4.3L		6IR5Y	3722	37224	0.035
1989-88	V8 5.0L		6IR5Y	3722	37224	0.035
1989-88	V8 5.7L		6IR5Y	3722	37224	0.035
<b>C1500 Suburban</b>						
1999-96	V8 5.7L		1IR4Y	3711	37114	0.047
1995-94	V8 5.7L		6IR5Y	3722	37224	0.035
1993-92	V8 5.7L		6IR5Y	3722	37224	0.035
<b>C2500</b>						
2000-99	V8 5.7L		1IR4Y	3711	37114	0.047
2000-99	V8 7.4L		1IR4Y	3711	37114	0.047
1998-96	V8 5.0L		1IR4Y	3711	37114	0.047
1998-96	V8 5.7L		1IR4Y	3711	37114	0.047
1998-96	V8 7.4L		1IR4Y	3711	37114	0.047
1995-94	V6 4.3L		6IR5Y	3722	37224	0.035
1995-94	V8 5.0L		6IR5Y	3722	37224	0.035
1995-94	V8 5.7L		6IR5Y	3722	37224	0.035
1995-94	V8 7.4L		6IR5Y	3722	37224	0.035
1993-92	V6 4.3L		6IR5Y	3722	37224	0.035
1993-92	V8 5.0L		6IR5Y	3722	37224	0.035
1993-92	V8 5.7L	CNG	1IR4Y	3711	37114	0.047
1993-92	V8 5.7L	GAS	6IR5Y	3722	37224	0.035
1993-92	V8 7.4L		6IR5Y	3722	37224	0.035
1991	V6 4.3L		6IR5Y	3722	37224	0.035
1991	V8 5.0L		6IR5Y	3722	37224	0.035
1991	V8 5.7L		6IR5Y	3722	37224	0.035
1991	V8 7.4L		6IR5Y	3722	37224	0.035
1990-88	V6 4.3L		6IR5Y	3722	37224	0.035
1990-88	V8 5.0L		6IR5Y	3722	37224	0.035
1990-88	V8 5.7L		6IR5Y	3722	37224	0.035
<b>C2500 Suburban</b>						
1999-96	V8 5.7L		1IR4Y	3711	37114	0.047
1999-96	V8 7.4L		1IR4Y	3711	37114	0.047
1995-94	V8 5.7L		6IR5Y	3722	37224	0.035
1995-94	V8 7.4L		6IR5Y	3722	37224	0.035
1993-92	V8 5.7L		6IR5Y	3722	37224	0.035
1993-92	V8 7.4L		6IR5Y	3722	37224	0.035
<b>C3500</b>						
2002-01	V8 8.1L		1IR5L	3712	37124	0.047
2000-96	V8 5.7L		1IR4Y	3711	37114	0.047
2000-96	V8 7.4L		1IR4Y	3711	37114	0.047
1995-94	V8 5.7L		6IR5Y	3722	37224	0.035
1995-94	V8 7.4L		6IR5Y	3722	37224	0.035
1993-88	V8 5.7L		6IR5Y	3722	37224	0.035
1993-88	V8 7.4L		6IR5Y	3722	37224	0.035
<b>Camaro</b>						
2013	V6 3.6L		5IR6Y	3743	37434	0.032
2013	V8 6.2L	L99 / LS3 / LSA	1IR5L	3712	37124	0.047
2012	V6 3.6L		5IR6Y	3743	37434	0.032
2012	V8 6.2L		1IR5L	3712	37124	0.047
2011	V6 3.6L		5IR6Y	3743	37434	0.032
2011	V8 6.2L		1IR5L	3712	37124	0.047
2010	V6 3.6L		5IR6Y	3743	37434	0.032
2010	V8 6.2L		1IR5L	3712	37124	0.047
2002-98	V6 3.8L		1IR4Y	3711	37114	0.047
2002-98	V8 5.7L		1IR5Y	3713	37134	0.043
1997	V6 3.8L		1IR4Y	3711	37114	0.047
1997	V8 5.7L		1IR5Y	3713	37134	0.043
1996	V6 3.8L		1IR4Y	3711	37114	0.047
1996	V8 5.7L		1IR5Y	3713	37134	0.043
1995	V6 3.4L		6IR5Y	3722	37224	0.035
1995	V6 3.8L		1IR4Y	3711	37114	0.047
1995	V8 5.7L		1IR5Y	3713	37134	0.043
1994-93	V6 3.4L		6IR5Y	3722	37224	0.035
1994-93	V8 5.7L		1IR5Y	3713	37134	0.043
1992-90	V6 4.1L		6IR5Y	3722	37224	0.035
1992-90	V8 5.0L		6IR4Y	3720	37204	0.035
1992-90	V8 5.7L	Aluminum Heads	7IR4Y	3724	37244	0.040
1992-90	V8 5.7L	Cast Iron Heads	6IR4Y	3720	37204	0.035

Make Model Year	Engine Size	Notes:	Plug Type	MSD PN Single	MSD PN 4-Pack	Pre-Gap Setting**
1989-88	V6 2.8L		6IR5Y	3722	37224	0.035
1989-88	V8 5.0L		6IR4Y	3720	37204	0.035
1989-88	V8 5.7L	Aluminum Heads	7IR4Y	3724	37244	0.040
1989-88	V8 5.7L	Cast Iron Heads	6IR4Y	3720	37204	0.035
1987	V6 2.8L		6IR5Y	3722	37224	0.035
1987	V8 5.0L	CARB	6IR4Y	3720	37204	0.035
1987	V8 5.0L	FI	6IR5Y	3722	37224	0.035
1987	V8 5.7L	Aluminum Heads	7IR4Y	3724	37244	0.040
1987	V8 5.7L	Cast Iron Heads	6IR4Y	3720	37204	0.035
1986-85	L4 2.5L		6IR5Y	3722	37224	0.035
1986-85	V6 2.8L		6IR5Y	3722	37224	0.035
1986-85	V8 5.0L	Vin F	6IR5Y	3722	37224	0.035
1986-85	V8 5.0L	Vin G	6IR5Y	3722	37224	0.035
1986-85	V8 5.0L	Vin H	6IR4Y	3720	37204	0.035
1984	L4 2.5L		6IR5Y	3722	37224	0.035
1984	V6 2.8L		6IR5Y	3722	37224	0.035
1984	V8 5.0L		6IR4Y	3720	37204	0.035
1983-82	L4 2.5L		6IR4Y	3720	37204	0.035
1983-82	V6 2.8L		6IR5Y	3722	37224	0.035
1983-82	V8 5.0L		6IR4Y	3720	37204	0.035
1981-80	V6 3.8L	Vin A	6IR4Y	3720	37204	0.035
1981-80	V6 3.8L	Vin K	6IR4Y	3720	37204	0.035
1981-80	V8 4.4L		6IR4Y	3720	37204	0.035
1981-80	V8 5.0L		6IR4Y	3720	37204	0.035
1981-80	V8 5.7L		6IR4Y	3720	37204	0.035
1979-76	L6 4.1L		6IR4Y	3720	37204	0.035
1979-76	V8 5.0L		6IR4Y	3720	37204	0.035
1979-76	V8 5.7L		6IR4Y	3720	37204	0.035
1975	L6 4.1L		6IR4Y	3720	37204	0.035
1975	V8 5.7L		6IR5Y	3722	37224	0.035
1974	L6 4.1L		6IR5	3721	37214	0.035
1974	V8 5.7L		6IR5	3721	37214	0.035
1973	L6 4.1L		6IR5	3721	37214	0.035
1973	V8 5.0L		6IR5	3721	37214	0.035
1973	V8 5.7L		6IR5	3721	37214	0.035
1972	L6 4.1L		6IR5	3721	37214	0.035
1972	V8 5.0L		6IR5	3721	37214	0.035
1972	V8 5.7L		6IR5	3721	37214	0.035
1972	V8 6.6L		6IR5	3721	37214	0.035
1971	L6 4.1L		6IR4Y	3720	37204	0.035
1971	V8 5.0L		6IR4Y	3720	37204	0.035
1971	V8 5.7L		6IR4Y	3720	37204	0.035
1971	V8 6.6L		6IR4Y	3720	37204	0.035
1970	L6 4.1L		6IR5	3721	37214	0.035
1970	V8 5.0L		15IR5Y	3739	37394	0.035
1970	V8 5.7L		15IR5Y	3739	37394	0.035
1970	V8 6.5L		11IR5Y	3733	37334	0.035
1970	V8 6.6L		6IR5	3721	37214	0.035
1969	L6 3.8L		11IR4Y	3731	37314	0.035
1969	L6 4.1L		11IR4Y	3731	37314	0.035
1969	V8 5.0L		15IR5Y	3739	37394	0.035
1969	V8 5.4L		15IR4Y	3738	37384	0.035
1969	V8 5.7L		15IR5Y	3739	37394	0.035
1969	V8 6.5L		11IR5Y	3733	37334	0.035
1968	L6 3.8L		11IR4Y	3731	37314	0.035
1968	L6 4.1L		11IR4Y	3731	37314	0.035
1968	V8 5.0L		15IR5Y	3739	37394	0.035
1968	V8 5.4L	250HP; 275 HP	15IR4Y	3738	37384	0.035
1968	V8 5.4L	300 HP	15IR5Y	3739	37394	0.035
1968	V8 5.7L		15IR5Y	3739	37394	0.035
1968	V8 6.5L		11IR5Y	3733	37334	0.035
1967	L6 3.8L		11IR4Y	3731	37314	0.035
1967	L6 4.1L		11IR4Y	3731	37314	0.035
1967	V8 4.9L		15IR5Y	3739	37394	0.035
1967	V8 5.3L	250HP; 275 HP	15IR4Y	3738	37384	0.035
1967	V8 5.3L	300 HP	15IR5Y	3739	37394	0.035
1967	V8 5.7L		15IR5Y	3739	37394	0.035
1967	V8 6.5L		11IR5Y	3733	37334	0.035

CPB's = Coil Plug Boots  
 \*\* Pre-gapped for optimal performance.

\* Short Style 6 Series - PN 3741 (single), PN 37414 (4pk) - Pre-gapped 0.035  
 \* Short Style 7 Series - PN 3742 (single), PN 37424 (4pk) - Pre-gapped 0.035



# Chevrolet Caprice

Make Model Year	Engine Size	Notes:	Plug Type	MSD PN Single	MSD PN 4-Pack	Pre-Gap Setting**
<b>Caprice</b>						
2011	V8 6.0L		11R5L	3712	37124	0.047
1996-94	V8 4.3L		11R5L	3712	37124	0.047
1996-94	V8 5.7L		11R5Y	3713	37134	0.043
1993-92	V6 4.3L		61R5Y	3722	37224	0.035
1993-92	V8 5.0L		61R4Y	3720	37204	0.035
1993-92	V8 5.7L		61R5Y	3722	37224	0.035
1991	V8 5.0L		61R4Y	3720	37204	0.035
1991	V8 5.7L		61R5Y	3722	37224	0.035
1990-89	V6 4.3L		61R4Y	3720	37204	0.035
1990-89	V8 5.0L	CARB	71R4Y	3724	37244	0.040
1990-89	V8 5.0L	FI	61R4Y	3720	37204	0.035
1990-89	V8 5.7L		61R5Y	3722	37224	0.035
1988-87	V6 4.3L		61R4Y	3720	37204	0.035
1988-87	V8 5.0L	Vin H	61R4Y	3720	37204	0.035
1988-87	V8 5.0L	Vin Y	71R4Y	3724	37244	0.040
1988-87	V8 5.7L		61R4Y	3720	37204	0.035
1986	V6 4.3L		61R4Y	3720	37204	0.035
1986	V8 5.0L	Vin H	61R4Y	3720	37204	0.035
1986	V8 5.0L	Vin Y	71R4Y	3724	37244	0.040
1986	V8 5.7L		61R4Y	3720	37204	0.035
1985	V6 3.8L		61R4Y	3720	37204	0.035
1985	V6 4.3L		61R4Y	3720	37204	0.035
1985	V8 5.0L		61R4Y	3720	37204	0.035
1985	V8 5.7L	GAS	61R4Y	3720	37204	0.035
1984-83	V6 3.8L	Vin 9	61R4Y	3720	37204	0.035
1984-83	V6 3.8L	Vin A	61R4Y	3720	37204	0.035
1984-83	V8 5.0L		61R4Y	3720	37204	0.035
1982-81	V6 3.8L	Vin A	61R4Y	3720	37204	0.035
1982-81	V6 3.8L	Vin K	61R4Y	3720	37204	0.035
1982-81	V8 4.4L		61R4Y	3720	37204	0.035
1982-81	V8 5.0L		61R4Y	3720	37204	0.035
1980	V6 3.8L	Vin A	61R4Y	3720	37204	0.035
1980	V6 3.8L	Vin K	61R4Y	3720	37204	0.035
1980	V8 4.4L		61R4Y	3720	37204	0.035
1980	V8 5.0L		61R4Y	3720	37204	0.035
1980	V8 5.7L	GAS	61R4Y	3720	37204	0.035
1979-77	L6 4.1L		61R4Y	3720	37204	0.035
1979-77	V8 5.0L		61R4Y	3720	37204	0.035
1979-77	V8 5.7L		61R4Y	3720	37204	0.035
1976	V8 5.7L		61R4Y	3720	37204	0.035
1976	V8 6.6L		61R4Y	3720	37204	0.035
1976	V8 7.4L		61R4Y	3720	37204	0.035
1975	V8 5.7L		61R5Y	3722	37224	0.035
1975	V8 6.6L		61R5Y	3722	37224	0.035
1975	V8 7.4L		61R5Y	3722	37224	0.035
1974-72	V8 5.7L		61R5	3721	37214	0.035
1974-72	V8 6.6L		61R5	3721	37214	0.035
1974-72	V8 7.4L		61R5	3721	37214	0.035
1971	V8 5.7L		61R4Y	3720	37204	0.035
1971	V8 6.6L		61R4Y	3720	37204	0.035
1971	V8 7.4L		61R5Y	3722	37224	0.035
1970	V8 5.7L		151R5Y	3739	37394	0.035
1970	V8 6.6L		151R6	3740	37404	0.032
1970	V8 7.4L		61R5	3721	37214	0.035
1969	L6 4.1L		111R4Y	3731	37314	0.035
1969	V8 5.4L		151R4Y	3738	37384	0.035
1969	V8 5.7L		151R5Y	3739	37394	0.035
1969	V8 6.5L		111R5Y	3733	37334	0.035
1969	V8 7.0L		111R4Y	3731	37314	0.035
1968	L6 4.1L		111R4Y	3731	37314	0.035
1968	V8 5.0L		151R4Y	3738	37384	0.035
1968	V8 5.4L		151R4Y	3738	37384	0.035
1968	V8 6.5L		111R5Y	3733	37334	0.035
1968	V8 7.0L		111R5Y	3733	37334	0.035
1967	L6 4.1L		111R4Y	3731	37314	0.035
1967	V8 4.6L		151R4Y	3738	37384	0.035
1967	V8 5.3L		151R4Y	3738	37384	0.035
1967	V8 6.5L		111R5Y	3733	37334	0.035
1967	V8 7.0L		111R5Y	3733	37334	0.035
1966	V8 4.6L		151R4Y	3738	37384	0.035

Make Model Year	Engine Size	Notes:	Plug Type	MSD PN Single	MSD PN 4-Pack	Pre-Gap Setting**
1966	V8 5.3L		151R4Y	3738	37384	0.035
1966	V8 6.5L		111R5Y	3733	37334	0.035
1966	V8 7.0L		111R5Y	3733	37334	0.035
<b>Cavalier</b>						
2005	L4 2.2L	4 CPBs Req	51R5Y	3719	37194	0.040
2004-03	L4 2.2L	BI-FUEL, 4 CPBs Req	51R5Y	3719	37194	0.040
2004-03	L4 2.2L	GAS, 4 CPBs Req	51R5Y	3719	37194	0.040
2002	L4 2.2L	Vin 4	11R5Y	3713	37134	0.043
2002	L4 2.2L	Vin F, DOHC, 4 CPBs Req	51R5Y	3719	37194	0.040
2002	L4 2.4L	4 CPBs Req	11R5Y	3713	37134	0.043
2001	L4 2.2L	Vin 4	11R5Y	3713	37134	0.043
2001	L4 2.4L	4 CPBs Req	11R5Y	3713	37134	0.043
2000	L4 2.2L		11R5Y	3713	37134	0.043
2000	L4 2.4L	4 CPBs Req	11R5Y	3713	37134	0.043
1999	L4 2.2L	BI-FUEL	N/A	N/A	N/A	
1999	L4 2.2L	GAS	11R5Y	3713	37134	0.043
1999	L4 2.4L	4 CPBs Req	11R5Y	3713	37134	0.043
1998	L4 2.2L		11R5Y	3713	37134	0.043
1998	L4 2.4L	4 CPBs Req	11R5Y	3713	37134	0.043
1997-96	L4 2.2L		N/A	N/A	N/A	
1997-96	L4 2.4L	4 CPBs Req	11R5Y	3713	37134	0.043
1995	L4 2.2L		N/A	N/A	N/A	
1995	L4 2.3L	4 CPBs Req	11R5Y	3713	37134	0.043
1994	L4 2.2L		N/A	N/A	N/A	
1994	V6 4.1L		11R4Y	3711	37114	0.047
1993-92	L4 2.2L		11R4Y	3711	37114	0.047
1993-92	V6 3.1L		11R4Y	3711	37114	0.047
1991-90	L4 2.2L		11R4Y	3711	37114	0.047
1991-90	V6 4.1L		11R4Y	3711	37114	0.047
1989-87	L4 2.0L		11R4Y	3711	37114	0.047
1989-87	V6 2.8L		11R4Y	3711	37114	0.047
1986-85	L4 2.0L		61R5Y	3722	37224	0.035
1986-85	V6 2.8L		61R5Y	3722	37224	0.035
1984-83	L4 2.0L		61R5Y	3722	37224	0.035
1982	L4 1.8L		61R5Y	3722	37224	0.035
<b>Celebrity</b>						
1990	L4 2.5L		61R5Y	3722	37224	0.035
1990	V6 3.1L		11R4Y	3711	37114	0.047
1989-87	L4 2.5L		61R5Y	3722	37224	0.035
1989-87	V6 2.8L		11R4Y	3711	37114	0.047
1986-84	L4 2.5L		61R5Y	3722	37224	0.035
1986-84	V6 2.8L		61R5Y	3722	37224	0.035
1983-82	L4 2.5L		61R4Y	3720	37204	0.035
1983-82	V6 2.8L		61R5Y	3722	37224	0.035
<b>Chevelle</b>						
1973	L6 4.1L		61R5	3721	37214	0.035
1973	V8 5.0L		61R5	3721	37214	0.035
1973	V8 5.7L		61R5	3721	37214	0.035
1973	V8 7.4L		61R5	3721	37214	0.035
1972	L6 4.1L		61R5	3721	37214	0.035
1972	V8 5.0L		61R5	3721	37214	0.035
1972	V8 5.7L		61R5	3721	37214	0.035
1972	V8 6.6L		61R5	3721	37214	0.035
1972	V8 7.4L		61R5	3721	37214	0.035
1971	L6 4.1L		61R4Y	3720	37204	0.035
1971	V8 5.0L		61R4Y	3720	37204	0.035
1971	V8 5.7L		61R4Y	3720	37204	0.035
1971	V8 6.6L		61R4Y	3720	37204	0.035
1971	V8 7.4L		61R5	3721	37214	0.035
1970	L6 4.1L		61R5	3721	37214	0.035
1970	V8 5.0L		151R5Y	3739	37394	0.035
1970	V8 5.7L		151R5Y	3739	37394	0.035
1970	V8 6.6L		151R6	3740	37404	0.032
1970	V8 7.4L		61R5	3721	37214	0.035
1969	L6 3.8L		111R4Y	3731	37314	0.035
1969	L6 4.1L		111R4Y	3731	37314	0.035
1969	V8 5.0L		151R5Y	3739	37394	0.035
1969	V8 5.7L		151R5Y	3739	37394	0.035
1968	L6 4.1L		111R4Y	3731	37314	0.035
1968	V8 4.6L		151R4Y	3738	37384	0.035
1968	V8 5.3L		151R4Y	3738	37384	0.035
1968	V8 6.5L		111R5Y	3733	37334	0.035
1968	V8 7.0L		111R5Y	3733	37334	0.035
1967	L6 4.1L		111R4Y	3731	37314	0.035
1967	V8 4.6L		151R4Y	3738	37384	0.035
1967	V8 5.3L		151R4Y	3738	37384	0.035
1967	V8 6.5L		111R5Y	3733	37334	0.035
1967	V8 7.0L		111R5Y	3733	37334	0.035
1966	V8 4.6L		151R4Y	3738	37384	0.035

\* Short Style 6 Series - PN 3741 (single), PN 37414 (4pk) - Pre-gapped 0.035  
 \* Short Style 7 Series - PN 3742 (single), PN 37424 (4pk) - Pre-gapped 0.035

CPB's = Coil Plug Boots  
 \*\* Pre-gapped for optimal performance.





Make Model Year	Engine Size	Notes:	Plug Type	MSD PN Single	MSD PN 4-Pack	Pre-Gap Setting**
1968	L6 4.1L		11IR4Y	3731	37314	0.035
1968	V8 5.0L		15IR4Y	3738	37384	0.035
1968	V8 5.4L		15IR4Y	3738	37384	0.035
1968	V8 6.5L		11IR5Y	3733	37334	0.035
1967	L6 3.8L		11IR4Y	3731	37314	0.035
1967	L6 4.1L		11IR4Y	3731	37314	0.035
1967	V8 4.6L		15IR4Y	3738	37384	0.035
1967	V8 5.4L		15IR4Y	3738	37384	0.035
1967	V8 6.5L		11IR5Y	3733	37334	0.035
1966	L6 3.2L		11IR4Y	3731	37314	0.035
1966	L6 3.8L		11IR4Y	3731	37314	0.035
1966	V8 4.6L		15IR4Y	3738	37384	0.035
1966	V8 5.3L		15IR4Y	3738	37384	0.035
1966	V8 6.5L		11IR5Y	3733	37334	0.035
1965	L6 3.2L		11IR4Y	3731	37314	0.035
1965	L6 3.8L		11IR4Y	3731	37314	0.035
1965	V8 4.6L		15IR4Y	3738	37384	0.035
1965	V8 5.4L		15IR4Y	3738	37384	0.035
1964	L6 3.2L		11IR4Y	3731	37314	0.035
1964	L6 3.8L		11IR4Y	3731	37314	0.035
1964	V8 4.6L		15IR4Y	3738	37384	0.035
1964	V8 5.3L		15IR4Y	3738	37384	0.035
<b>Chevette</b>						
1987-78	L4 1.6L		6IR5Y	3722	37224	0.035
1977-76	L4 1.4L		6IR5Y	3722	37224	0.035
1977-76	L4 1.6L		6IR5Y	3722	37224	0.035
<b>Chevy II</b>						
1968	L4 2.5L		11IR4Y	3731	37314	0.035
1968	L6 3.8L		11IR4Y	3731	37314	0.035
1968	L6 4.1L		11IR4Y	3731	37314	0.035
1968	V8 5.0L		15IR4Y	3738	37384	0.035
1968	V8 5.4L	250HP; 275 HP	15IR4Y	3738	37384	0.035
1968	V8 5.4L	300 HP	15IR5Y	3739	37394	0.035
1968	V8 5.7L		15IR5Y	3739	37394	0.035
1968	V8 6.5L		11IR5Y	3733	37334	0.035
1967	L4 2.5L		11IR4Y	3731	37314	0.035
1967	L6 3.2L		11IR4Y	3731	37314	0.035
1967	L6 4.1L		11IR4Y	3731	37314	0.035
1967	V8 4.6L		15IR4Y	3738	37384	0.035
1967	V8 5.3L	250HP; 275 HP	15IR4Y	3738	37384	0.035
1967	V8 5.3L	300 HP	15IR5Y	3739	37394	0.035
1966-65	L4 2.5L		11IR4Y	3731	37314	0.035
1966-65	L6 3.2L		11IR4Y	3731	37314	0.035
1966-65	L6 3.8L		11IR4Y	3731	37314	0.035
1966-65	V8 4.6L		15IR4Y	3738	37384	0.035
1966-65	V8 5.3L	250HP; 275 HP	15IR4Y	3738	37384	0.035
1966-65	V8 5.3L	300 HP	15IR5Y	3739	37394	0.035
1964	L4 2.5L		11IR4Y	3731	37314	0.035
1964	L6 3.2L		11IR4Y	3731	37314	0.035
1964	L6 3.8L		11IR4Y	3731	37314	0.035
1964	V8 4.6L		15IR4Y	3738	37384	0.035
1963-62	L4 2.5L		11IR4Y	3731	37314	0.035
1963-62	L6 3.2L		11IR4Y	3731	37314	0.035
1963-62	V8 4.6L		15IR4Y	3738	37384	0.035
<b>Citation</b>						
1983-80	L4 2.5L		6IR4Y	3720	37204	0.035
1983-80	V6 2.8L		6IR5Y	3722	37224	0.035
<b>Citation II</b>						
1985-84	L4 2.5L		6IR5Y	3722	37224	0.035
1985-84	V6 2.8L		6IR5Y	3722	37224	0.035
<b>Classic</b>						
2005-04	L4 2.2L	4 CPBs Req	5IR5Y	3719	37194	0.040
<b>Cobalt</b>						
2010-09	L4 2.0L		5IR5Y	3719	37194	0.040
2010-09	L4 2.2L		5IR5Y	3719	37194	0.040
2008	L4 2.0L		5IR5Y	3719	37194	0.040
2008	L4 2.2L	4 CPBs Req	5IR5Y	3719	37194	0.040
2008	L4 2.4L		5IR5Y	3719	37194	0.040
2007-06	L4 2.0L		7IR6Y *	3727	37274	0.043

CPB's = Coil Plug Boots  
 \*\* Pre-gapped for optimal performance.

Make Model Year	Engine Size	Notes:	Plug Type	MSD PN Single	MSD PN 4-Pack	Pre-Gap Setting**
2007-06	L4 2.2L	4 CPBs Req	5IR5Y	3719	37194	0.040
2007-06	L4 2.4L		5IR5Y	3719	37194	0.040
2005	L4 2.0L		7IR6Y *	3727	37274	0.043
2005	L4 2.2L	4 CPBs Req	5IR5Y	3719	37194	0.040
<b>Colorado</b>						
2012	L4 2.9L	VIN - 9	5IR5Y	3719	37194	0.040
2012	L5 3.7L	VIN - E	5IR5Y	3719	37194	0.040
2012	V8 5.3L	VIN - P	1IR5Y	3713	37134	0.043
2011-10	L4 2.9L		5IR5Y	3719	37194	0.040
2011-10	L5 3.7L		5IR5Y	3719	37194	0.040
2011-10	V8 5.3L		1IR5L	3712	37124	0.047
2009	L4 2.9L		5IR5Y	3719	37194	0.040
2009	L5 3.7L		5IR5Y	3719	37194	0.040
2009	V8 5.3L		1IR5L	3712	37124	0.047
2008-07	L4 2.9L		5IR5Y	3719	37194	0.040
2008-07	L5 3.7L		5IR5Y	3719	37194	0.040
2006-04	L4 2.8L	4 CPBs Req	5IR5Y	3719	37194	0.040
2006-04	L5 3.5L	5 CPBs Req	5IR5Y	3719	37194	0.040
<b>Corsica</b>						
1996-94	L4 2.2L		N/A	N/A	N/A	
1996-94	V6 3.1L		1IR4Y	3711	37114	0.047
1993-92	L4 2.2L		1IR4Y	3711	37114	0.047
1993-92	V6 3.1L		1IR4Y	3711	37114	0.047
1991-90	L4 2.2L		1IR4Y	3711	37114	0.047
1991-90	V6 3.1L		1IR4Y	3711	37114	0.047
1989-87	L4 2.0L		1IR4Y	3711	37114	0.047
1989-87	V6 2.8L		1IR4Y	3711	37114	0.047
<b>Corvaire</b>						
1969-66	H6 2.7L		N/A	N/A	N/A	
1965	H6 2.7L	180 HP; H.O.	N/A	N/A	N/A	
1965	H6 2.7L	W/O H.O.	N/A	N/A	N/A	
1964	H6 2.7L	W/H.O.	N/A	N/A	N/A	
1964	H6 2.7L	W/O H.O.	N/A	N/A	N/A	
1963-62	H6 2.4L	W/H.O.	N/A	N/A	N/A	
1963-62	H6 2.4L	W/O H.O.	N/A	N/A	N/A	
1961	H6 2.4L		N/A	N/A	N/A	
1960	H6 2.3L		N/A	N/A	N/A	
<b>Corvette</b>						
2013	V8 6.2L	Naturally Aspirated	1IR5L	3712	37124	0.047
2013	V8 6.2L	Supercharged	1IR6Y	3714	37144	0.043
2013	V8 7.0L		1IR6Y	3714	37144	0.043
2012	V8 6.2L	Naturally Aspirated	1IR5L	3712	37124	0.047
2012	V8 6.2L	Supercharged	1IR6Y	3714	37144	0.043
2012	V8 7.0L		1IR6Y	3714	37144	0.043
2011	V8 6.2L	Naturally Aspirated	1IR5L	3712	37124	0.047
2011	V8 6.2L	Supercharged	1IR6Y	3714	37144	0.043
2011	V8 7.0L		1IR6Y	3714	37144	0.043
2009-08	V8 6.2L		1IR5L	3712	37124	0.047
2009-08	V8 7.0L		1IR6Y	3714	37144	0.043
2007-06	V8 6.0L		1IR5Y	3713	37134	0.043
2007-06	V8 7.0L		1IR6Y	3714	37144	0.043
2005	V8 6.0L		1IR5Y	3713	37134	0.043
2004-97	V8 5.7L		1IR5Y	3713	37134	0.043
1996	V8 5.7L	Vin 5	1IR5Y	3713	37134	0.043
1996	V8 5.7L	Vin P	1IR5Y	3713	37134	0.043
1995-93	V8 5.7L	Vin J	1IR5Y	3713	37134	0.043
1995-93	V8 5.7L	Vin P	1IR5Y	3713	37134	0.043
1992	V8 5.7L	Vin J	7IR5Y	3725	37254	0.040
1992	V8 5.7L	Vin P	1IR5Y	3713	37134	0.043
1991-90	V8 5.7L	Vin 8, Aluminum Heads	7IR4Y	3724	37244	0.040
1991-90	V8 5.7L	Vin 8, Cast Iron Heads	6IR4Y	3720	37204	0.035
1991-90	V8 5.7L	Vin J	7IR5Y	3725	37254	0.040
1989-88	V8 5.7L	Aluminum Heads	7IR4Y	3724	37244	0.040
1989-88	V8 5.7L	Cast Iron Heads	6IR4Y	3720	37204	0.035
1987-86	V8 5.7L	Aluminum Heads	7IR4Y	3724	37244	0.040
1987-86	V8 5.7L	Cast Iron Heads	6IR5Y	3722	37224	0.035
1985	V8 5.7L		6IR5Y	3722	37224	0.035
1984	V8 5.7L		6IR4Y	3720	37204	0.035
1982-81	V8 5.7L		6IR4Y	3720	37204	0.035
1980	V8 5.0L		6IR4Y	3720	37204	0.035

\* Short Style 6 Series - PN 3741 (single), PN 37414 (4pk) - Pre-gapped 0.035  
 \* Short Style 7 Series - PN 3742 (single), PN 37424 (4pk) - Pre-gapped 0.035





**Chevrolet Corvette continued**

Make Model Year	Engine Size	Notes:	Plug Type	MSD PN Single	MSD PN 4-Pack	Pre-Gap Setting**
1980	V8 5.7L		6IR4Y	3720	37204	0.035
1979-76	V8 5.7L		6IR4Y	3720	37204	0.035
1975	V8 5.7L		6IR5Y	3722	37224	0.035
1974-73	V8 5.7L		6IR5	3721	37214	0.035
1974-73	V8 7.4L		6IR5	3721	37214	0.035
1972	V8 5.7L	Vin K	6IR5	3721	37214	0.035
1972	V8 7.4L		6IR5	3721	37214	0.035
1971	V8 5.7L		6IR4Y	3720	37204	0.035
1971	V8 7.4L	365 HP	6IR5Y	3722	37224	0.035
1971	V8 7.4L	425 HP	6IR4Y	3720	37204	0.035
1970	V8 5.7L		15IR5Y	3739	37394	0.035
1970	V8 7.4L		6IR5	3721	37214	0.035
1969	V8 5.7L		15IR5Y	3739	37394	0.035
1969	V8 7.0L	Aluminum Heads	11IR5	3732	37324	0.032
1969	V8 7.0L	Cast Iron Heads	11IR5Y	3733	37334	0.035
1968	V8 5.4L	300 HP	15IR6	3740	37404	0.032
1968	V8 5.4L	Exc 300 HP	15IR5Y	3739	37394	0.035
1968	V8 7.0L		11IR5Y	3733	37334	0.035
1967-66	V8 5.3L	300 HP	15IR6	3740	37404	0.032
1967-66	V8 5.3L	Exc 300 HP	15IR5Y	3739	37394	0.035
1967-66	V8 7.0L		11IR5Y	3733	37334	0.035
1965-62	V8 5.3L	CARB	15IR5Y	3739	37394	0.035
1965-62	V8 5.3L	FI	15IR6	3740	37404	0.032
1961-60	V8 4.6L		15IR6	3740	37404	0.032
1959	V8 4.6L	CARB	15IR6	3740	37404	0.032
1958-57	V8 4.6L		15IR6	3740	37404	0.032
1956	V8 4.3L		15IR6	3740	37404	0.032
1955	L6 3.5L		15IR6	3740	37404	0.032
1955	V8 4.3L		15IR6	3740	37404	0.032
1954	L6 3.8L		15IR6	3740	37404	0.032
1953	L6 3.9L		15IR6	3740	37404	0.032

**Cruze**

2013	L4 1.4L	CRUZE ECO	N/A	N/A	N/A	
2013	L4 1.8L	CRUZE LS	N/A	N/A	N/A	
2013	L4 1.4L	CRUZE LT	N/A	N/A	N/A	
2013	L4 1.4L	CRUZE LTZ	N/A	N/A	N/A	
2012	L4 1.4L	CRUZE ECO	N/A	N/A	N/A	
2012	L4 1.8L	CRUZE LS	N/A	N/A	N/A	
2012	L4 1.4L	CRUZE LT	N/A	N/A	N/A	
2012	L4 1.4L	CRUZE LTZ	N/A	N/A	N/A	
2011	L4 1.4L	CRUZE ECO	N/A	N/A	N/A	
2011	L4 1.8L	CRUZE LS	N/A	N/A	N/A	
2011	L4 1.4L	CRUZE LT	N/A	N/A	N/A	
2011	L4 1.4L	CRUZE LTZ	N/A	N/A	N/A	

**El Camino**

1987	V6 4.3L		6IR4Y	3720	37204	0.035
1987	V8 5.0L		6IR4Y	3720	37204	0.035
1986	V6 4.3L		6IR5Y	3722	37224	0.035
1986	V8 5.0L		6IR5Y	3722	37224	0.035
1985	V6 4.3L		6IR4Y	3720	37204	0.035
1985	V8 5.0L		6IR4Y	3720	37204	0.035
1984-83	V6 3.8L	Vin 9	6IR4Y	3720	37204	0.035
1984-83	V6 3.8L	Vin A	6IR4Y	3720	37204	0.035
1984-83	V8 5.0L		6IR4Y	3720	37204	0.035
1982-80	V6 3.8L	Vin A	6IR4Y	3720	37204	0.035
1982-80	V6 3.8L	Vin K	6IR4Y	3720	37204	0.035
1982-80	V8 4.4L		6IR4Y	3720	37204	0.035
1982-80	V8 5.0L		6IR4Y	3720	37204	0.035
1979	V6 3.3L		6IR4Y	3720	37204	0.035
1979	V6 3.8L		6IR4Y	3720	37204	0.035
1979	V8 4.4L		6IR4Y	3720	37204	0.035
1979	V8 5.0L		6IR4Y	3720	37204	0.035
1979	V8 5.7L	Heavy Duty	6IR5	3721	37214	0.035
1979	V8 5.7L	Light Duty	6IR4Y	3720	37204	0.035
1978	V6 3.3L		6IR4Y	3720	37204	0.035
1978	V6 3.8L		6IR4Y	3720	37204	0.035
1978	V8 5.0L	Heavy Duty	6IR5	3721	37214	0.035
1978	V8 5.0L	Light Duty	6IR4Y	3720	37204	0.035
1978	V8 5.7L	California	6IR5Y	3722	37224	0.035
1978	V8 5.7L	Heavy Duty	6IR5	3721	37214	0.035
1978	V8 5.7L	Light Duty	6IR4Y	3720	37204	0.035

Make Model Year	Engine Size	Notes:	Plug Type	MSD PN Single	MSD PN 4-Pack	Pre-Gap Setting**
1977	L6 4.1L		6IR4Y	3720	37204	0.035
1977	V8 5.0L	Heavy Duty	6IR5	3721	37214	0.035
1977	V8 5.0L	Light Duty	6IR4Y	3720	37204	0.035
1977	V8 5.7L	Heavy Duty	6IR5	3721	37214	0.035
1977	V8 5.7L	Light Duty	6IR4Y	3720	37204	0.035
1976	L6 4.1L		6IR4Y	3720	37204	0.035
1976	V8 5.0L	Heavy Duty	6IR5	3721	37214	0.035
1976	V8 5.0L	Light Duty	6IR4Y	3720	37204	0.035
1976	V8 5.7L	Vin L, Heavy Duty	6IR5	3721	37214	0.035
1976	V8 5.7L	Vin L, Light Duty	6IR4Y	3720	37204	0.035
1976	V8 5.7L	Vin V	6IR4Y	3720	37204	0.035
1976	V8 6.6L	Heavy Duty	6IR5	3721	37214	0.035
1976	V8 6.6L	Light Duty	6IR4Y	3720	37204	0.035
1975	L6 4.1L		6IR5Y	3722	37224	0.035
1975	V8 5.7L		6IR5Y	3722	37224	0.035
1975	V8 6.6L		6IR5Y	3722	37224	0.035
1974	V8 5.7L		6IR5	3721	37214	0.035
1974	V8 6.6L		6IR5	3721	37214	0.035
1974	V8 7.4L		6IR5	3721	37214	0.035
1973	L6 4.1L		6IR5	3721	37214	0.035
1973	V8 5.0L		6IR5	3721	37214	0.035
1973	V8 5.7L		6IR5	3721	37214	0.035
1973	V8 7.4L		6IR5	3721	37214	0.035
1972	L6 4.1L		6IR5	3721	37214	0.035
1972	V8 5.0L		6IR5	3721	37214	0.035
1972	V8 5.7L		6IR5	3721	37214	0.035
1972	V8 6.6L		6IR5	3721	37214	0.035
1972	V8 7.4L		6IR5	3721	37214	0.035
1971	L6 4.1L		6IR4Y	3720	37204	0.035
1971	V8 5.0L		6IR4Y	3720	37204	0.035
1971	V8 5.7L	215 HP	6IR5	3721	37214	0.035
1971	V8 5.7L	250 HP	6IR4Y	3720	37204	0.035
1971	V8 6.6L		6IR4Y	3720	37204	0.035
1971	V8 7.4L		6IR5Y	3722	37224	0.035
1970	L6 4.1L		6IR5	3721	37214	0.035
1970	V8 5.0L		15IR6	3740	37404	0.032
1970	V8 5.7L		15IR6	3740	37404	0.032
1970	V8 6.5L		11IR5Y	3733	37334	0.035
1970	V8 6.6L		6IR5	3721	37214	0.035
1970	V8 7.4L		6IR4Y	3720	37204	0.035
1969	L6 3.8L		11IR4Y	3731	37314	0.035
1969	L6 4.1L		11IR4Y	3731	37314	0.035
1969	V8 5.0L		15IR6	3740	37404	0.032
1969	V8 5.7L	Base	15IR6	3740	37404	0.032
1969	V8 5.7L	Custom	6IR5	3721	37214	0.035
1969	V8 6.5L		11IR5Y	3733	37334	0.035
1968	L6 3.8L		11IR4Y	3731	37314	0.035
1968	L6 4.1L		11IR4Y	3731	37314	0.035
1968	V8 5.0L	Base	15IR6	3740	37404	0.032
1968	V8 5.0L	Custom	15IR4Y	3738	37384	0.035
1968	V8 5.4L		15IR6	3740	37404	0.032
1968	V8 6.5L		11IR5Y	3733	37334	0.035
1967	L6 3.8L		11IR4Y	3731	37314	0.035
1967	L6 4.1L		11IR4Y	3731	37314	0.035
1967	V8 4.6L		15IR6	3740	37404	0.032
1967	V8 5.3L		15IR6	3740	37404	0.032
1967	V8 6.5L		11IR5Y	3733	37334	0.035
1966	L6 3.8L		11IR4Y	3731	37314	0.035
1966	V8 4.6L		15IR6	3740	37404	0.032
1966	V8 5.3L		15IR6	3740	37404	0.032
1966	V8 6.5L		11IR5Y	3733	37334	0.035
1965-64	L6 3.2L		11IR4Y	3731	37314	0.035
1965-64	L6 3.8L		11IR4Y	3731	37314	0.035
1965-64	V8 4.6L		15IR6	3740	37404	0.032
1965-64	V8 5.3L		15IR6	3740	37404	0.032
1960-59	V8 5.7L		11IR4Y	3731	37314	0.035

**Epica**

2006	L6 2.5L	6 CPBs Req	7IR6Y *	3727	37274	0.043
2005	L6 2.5L	6 CPBs Req	7IR6Y *	3727	37274	0.043
2004	L6 2.5L	6 CPBs Req	7IR6Y *	3727	37274	0.043

CPB's = Coil Plug Boots

\*\* Pre-gapped for optimal performance.

\* Short Style 6 Series - PN 3741 (single), PN 37414 (4pk) - Pre-gapped 0.035

\* Short Style 7 Series - PN 3742 (single), PN 37424 (4pk) - Pre-gapped 0.035



Make Model Year	Engine Size	Notes:	Plug Type	MSD PN Single	MSD PN 4-Pack	Pre-Gap Setting**
<b>Equinox</b>						
2013	L4 2.4L	VIN - LEA	5IR5Y	3719	37194	0.040
2013	V6 3.6L	VIN - LFX	5IR5Y	3719	37194	0.040
2012	L4 2.4L	VIN - LEA	5IR5Y	3719	37194	0.040
2012	V6 3.0L	VIN - LFW	5IR5Y	3719	37194	0.040
2011-10	L4 2.4L		5IR5Y	3719	37194	0.040
2011-10	V6 3.0L		5IR6Y	3743	37434	0.032
2009-08	V6 3.4L		N/A	N/A	N/A	
2009-08	V6 3.6L		5IR6Y	3743	37434	0.032
2007-05	V6 3.4L		N/A	N/A	N/A	
<b>Express 1500</b>						
2013	V6 4.3L		N/A	N/A	N/A	
2013	V8 5.3L		1IR5L	3712	37124	0.047
2012	V6 4.3L		N/A	N/A	N/A	
2012	V8 5.3L		1IR5L	3712	37124	0.047
2011	V6 4.3L		N/A	N/A	N/A	
2011	V8 5.3L		1IR5L	3712	37124	0.047
2010-08	V6 4.3L		1IR4Y	3711	37114	0.047
2010-08	V8 5.3L		1IR5L	3712	37124	0.047
2007-06	V6 4.3L		1IR4Y	3711	37114	0.047
2007-06	V8 5.3L		1IR5Y	3713	37134	0.043
2005-04	V6 4.3L		N/A	N/A	N/A	
2005-04	V8 5.3L		1IR5Y	3713	37134	0.043
2003	V6 4.3L		1IR5L	3712	37124	0.047
2003	V8 5.3L		1IR5Y	3713	37134	0.043
2002-96	V6 4.3L		1IR5L	3712	37124	0.047
2002-96	V8 5.0L		1IR4Y	3711	37114	0.047
2002-96	V8 5.7L		1IR4Y	3711	37114	0.047
<b>Express 2500</b>						
2013	V8 4.8L		1IR5L	3712	37124	0.047
2013	V8 6.0L		1IR5L	3712	37124	0.047
2012	V8 4.8L		1IR5L	3712	37124	0.047
2012	V8 6.0L		1IR5L	3712	37124	0.047
2011-08	V8 4.8L		1IR5L	3712	37124	0.047
2011-08	V8 6.0L		1IR5L	3712	37124	0.047
2007-06	V8 4.8L		1IR5Y	3713	37134	0.043
2007-06	V8 6.0L		1IR5Y	3713	37134	0.043
2005-04	V6 4.3L		N/A	N/A	N/A	
2005-04	V8 4.8L		1IR5Y	3713	37134	0.043
2005-04	V8 5.3L		1IR5Y	3713	37134	0.043
2005-04	V8 6.0L		1IR5Y	3713	37134	0.043
2003	V6 4.3L		1IR5L	3712	37124	0.047
2003	V8 4.8L		1IR5Y	3713	37134	0.043
2003	V8 5.3L		1IR5Y	3713	37134	0.043
2003	V8 6.0L		1IR5Y	3713	37134	0.043
2002-96	V6 4.3L		1IR5L	3712	37124	0.047
2002-96	V8 5.0L		1IR4Y	3711	37114	0.047
2002-96	V8 5.7L		1IR4Y	3711	37114	0.047
<b>Express 3500</b>						
2013	V8 4.8L		1IR5L	3712	37124	0.047
2013	V8 6.0L		1IR5L	3712	37124	0.047
2012	V8 4.8L		1IR5L	3712	37124	0.047
2012	V8 6.0L		1IR5L	3712	37124	0.047
2011-08	V8 4.8L		1IR5L	3712	37124	0.047
2011-08	V8 6.0L		1IR5L	3712	37124	0.047
2007	V8 4.8L		1IR5Y	3713	37134	0.043
2007	V8 6.0L		1IR5L	3712	37124	0.047
2006-05	V8 4.8L		1IR5Y	3713	37134	0.043
2006-05	V8 6.0L		1IR5Y	3713	37134	0.043
2004-03	V8 6.0L		1IR5Y	3713	37134	0.043
2002-01	V8 5.7L		1IR4Y	3711	37114	0.047
2002-01	V8 8.1L		1IR5L	3712	37124	0.047
2000-96	V8 5.7L		1IR4Y	3711	37114	0.047
2000-96	V8 7.4L		1IR4Y	3711	37114	0.047
<b>G10</b>						
1995-94	V6 4.3L		6IR5Y	3722	37224	0.035
1995-94	V8 5.0L		6IR5Y	3722	37224	0.035
1993-87	V6 4.3L		6IR5Y	3722	37224	0.035
1993-87	V8 5.0L		6IR5Y	3722	37224	0.035
1993-87	V8 5.7L		6IR5Y	3722	37224	0.035
1986	V6 4.3L		6IR5Y	3722	37224	0.035
1986	V8 5.0L		6IR5Y	3722	37224	0.035
1986	V8 5.7L	Vin L	6IR5Y	3722	37224	0.035
1986	V8 5.7L	Vin M	6IR5Y	3721	37214	0.035
1985	V6 4.3L		6IR5Y	3722	37224	0.035

Make Model Year	Engine Size	Notes:	Plug Type	MSD PN Single	MSD PN 4-Pack	Pre-Gap Setting**
1986	V6 4.3L		6IR5Y	3722	37224	0.035
1986	V8 5.0L		6IR5Y	3722	37224	0.035
1986	V8 5.7L		6IR5Y	3722	37224	0.035
1985	V6 4.3L		6IR5Y	3722	37224	0.035
1985	V8 5.0L		6IR5Y	3722	37224	0.035
1985	V8 5.7L	Vin L	6IR5Y	3722	37224	0.035
1984	L6 4.1L		6IR4Y	3720	37204	0.035
1984	V8 5.0L		6IR5Y	3722	37224	0.035
1984	V8 5.7L		6IR5Y	3722	37224	0.035
1983-79	L6 4.1L		6IR4Y	3720	37204	0.035
1983-79	V8 5.0L		6IR4Y	3720	37204	0.035
1983-79	V8 5.7L	Heavy Duty	6IR5	3721	37214	0.035
1983-79	V8 5.7L	Light Duty	6IR4Y	3720	37204	0.035
1978-77	L6 4.1L		6IR5	3721	37214	0.035
1978-77	V8 5.0L	Heavy Duty	6IR5	3721	37214	0.035
1978-77	V8 5.0L	Light Duty	6IR4Y	3720	37204	0.035
1978-77	V8 5.7L	California	6IR5Y	3722	37224	0.035
1978-77	V8 5.7L	Heavy Duty	6IR5	3721	37214	0.035
1978-77	V8 5.7L	Light Duty	6IR4Y	3720	37204	0.035
1976	L6 4.1L	Heavy Duty	6IR5	3721	37214	0.035
1976	L6 4.1L	Light Duty	6IR4Y	3720	37204	0.035
1976	V8 5.7L	Vin L, California	6IR5Y	3722	37224	0.035
1976	V8 5.7L	Vin L, Heavy Duty	6IR5	3721	37214	0.035
1976	V8 5.7L	Vin L, Light Duty	6IR4Y	3720	37204	0.035
1976	V8 5.7L	Vin V	6IR4Y	3720	37204	0.035
1975	L6 4.1L		6IR5Y	3722	37224	0.035
1975	V8 5.7L		6IR5	3721	37214	0.035
<b>G10 Van</b>						
1974	L6 4.1L		6IR5	3721	37214	0.035
1974	V8 5.7L	Vin V, HEI	6IR5Y	3722	37224	0.035
1974	V8 5.7L	Vin V, W/O HEI	6IR5	3721	37214	0.035
1974	V8 5.7L	Vin W, LPG	6IR5	3721	37214	0.035
1974	V8 5.7L	Vin Y	6IR5	3721	37214	0.035
1974	V8 7.4L		6IR5	3721	37214	0.035
1973	L6 4.1L		6IR5	3721	37214	0.035
1973	V8 5.0L		6IR5	3721	37214	0.035
1973	V8 5.7L		6IR5	3721	37214	0.035
1973	V8 7.4L		6IR5	3721	37214	0.035
1972	L6 4.1L		6IR5	3721	37214	0.035
1972	V8 5.0L		6IR5	3721	37214	0.035
1972	V8 5.7L		6IR5	3721	37214	0.035
1971	L6 4.1L		6IR4Y	3720	37204	0.035
1971	V8 5.0L		6IR4Y	3720	37204	0.035
1971	V8 5.7L		6IR4Y	3720	37204	0.035
1970	L6 4.1L		6IR5	3721	37214	0.035
1970	V8 5.0L		15IR6	3740	37404	0.032
1970	V8 5.7L		15IR6	3740	37404	0.032
1969	L6 3.8L		11IR4Y	3731	37314	0.035
1969	L6 4.1L		11IR4Y	3731	37314	0.035
1969	V8 5.0L		15IR6	3740	37404	0.032
1968	L6 3.8L		11IR4Y	3731	37314	0.035
1968	L6 4.1L		11IR4Y	3731	37314	0.035
1968	V8 5.0L		15IR5Y	3739	37394	0.035
1967	L6 3.8L		11IR4Y	3731	37314	0.035
1967	L6 4.1L		11IR4Y	3731	37314	0.035
1966	L6 3.2L		11IR4Y	3731	37314	0.035
1966	L6 3.8L		11IR4Y	3731	37314	0.035
1965-64	L4 2.5L		11IR4Y	3731	37314	0.035
1965-64	L6 3.2L		11IR4Y	3731	37314	0.035
<b>G20</b>						
1995-94	V6 4.3L		6IR5Y	3722	37224	0.035
1995-94	V8 5.0L		6IR5Y	3722	37224	0.035
1995-94	V8 5.7L		6IR5Y	3722	37224	0.035
1993-87	V6 4.3L		6IR5Y	3722	37224	0.035
1993-87	V8 5.0L		6IR5Y	3722	37224	0.035
1993-87	V8 5.7L		6IR5Y	3722	37224	0.035
1986	V6 4.3L		6IR5Y	3722	37224	0.035
1986	V8 5.0L		6IR5Y	3722	37224	0.035
1986	V8 5.7L	Vin L	6IR5Y	3722	37224	0.035
1986	V8 5.7L	Vin M	6IR5	3721	37214	0.035
1985	V6 4.3L		6IR5Y	3722	37224	0.035

CPB's = Coil Plug Boots  
 \*\* Pre-gapped for optimal performance.

\* Short Style 6 Series - PN 3741 (single), PN 37414 (4pk) - Pre-gapped 0.035  
 \* Short Style 7 Series - PN 3742 (single), PN 37424 (4pk) - Pre-gapped 0.035



**Chevrolet G20 continued**

Make Model Year	Engine Size	Notes:	Plug Type	MSD PN Single	MSD PN 4-Pack	Pre-Gap Setting**
1985	V8 5.0L		6IR5Y	3722	37224	0.035
1985	V8 5.7L	Vin L	6IR5Y	3722	37224	0.035
1985	V8 5.7L	Vin M	6IR5	3721	37214	0.035
1984	L6 4.1L		6IR4Y	3720	37204	0.035
1984	V8 5.0L		6IR5Y	3722	37224	0.035
1984	V8 5.7L	Vin L	6IR5Y	3722	37224	0.035
1984	V8 5.7L	Vin M, Heavy Duty	6IR5	3721	37214	0.035
1984	V8 5.7L	Vin M, Light Duty	6IR4Y	3720	37204	0.035
1983-81	L6 4.1L		6IR4Y	3720	37204	0.035
1983-81	V8 5.0L		6IR4Y	3720	37204	0.035
1983-81	V8 5.7L	Heavy Duty	6IR5	3721	37214	0.035
1983-81	V8 5.7L	Light Duty	6IR4Y	3720	37204	0.035
1980-79	L6 4.1L		6IR4Y	3720	37204	0.035
1980-79	L6 4.8L		6IR5	3721	37214	0.035
1980-79	V8 5.0L		6IR4Y	3720	37204	0.035
1980-79	V8 5.7L	Heavy Duty	6IR5	3721	37214	0.035
1980-79	V8 5.7L	Light Duty	6IR4Y	3720	37204	0.035
1980-79	V8 6.6L	Heavy Duty	6IR5	3721	37214	0.035
1980-79	V8 6.6L	Light Duty	6IR4Y	3720	37204	0.035
1978	L6 4.1L		6IR5	3721	37214	0.035
1978	L6 4.8L		6IR5	3721	37214	0.035
1978	V8 5.0L	Heavy Duty	6IR5	3721	37214	0.035
1978	V8 5.0L	Light Duty	6IR4Y	3720	37204	0.035
1978	V8 5.7L	California	6IR5Y	3722	37224	0.035
1978	V8 5.7L	Heavy Duty	6IR5	3721	37214	0.035
1978	V8 5.7L	Light Duty	6IR4Y	3720	37204	0.035
1978	V8 6.6L	Heavy Duty	6IR5	3721	37214	0.035
1978	V8 6.6L	Light Duty	6IR4Y	3720	37204	0.035
1977	L6 4.1L		6IR5	3721	37214	0.035
1977	L6 4.8L		6IR5	3721	37214	0.035
1977	V8 5.0L	Heavy Duty	6IR5	3721	37214	0.035
1977	V8 5.0L	Light Duty	6IR4Y	3720	37204	0.035
1977	V8 5.7L	California	6IR5Y	3722	37224	0.035
1977	V8 5.7L	Heavy Duty	6IR5	3721	37214	0.035
1977	V8 5.7L	Light Duty	6IR4Y	3720	37204	0.035
1977	V8 6.6L	California	6IR5Y	3722	37224	0.035
1977	V8 6.6L	Heavy Duty	6IR5	3721	37214	0.035
1977	V8 6.6L	Light Duty	6IR4Y	3720	37204	0.035
1976	L6 4.8L		6IR5	3721	37214	0.035
1976	V8 5.7L	Vin L, California	6IR5Y	3722	37224	0.035
1976	V8 5.7L	Vin L, Heavy Duty	6IR5	3721	37214	0.035
1976	V8 5.7L	Vin L, Light Duty	6IR4Y	3720	37204	0.035
1976	V8 5.7L	Vin V	6IR4Y	3720	37204	0.035
1976	V8 6.6L	Heavy Duty	6IR5	3721	37214	0.035
1976	V8 6.6L	Light Duty	6IR4Y	3720	37204	0.035
1976	V8 7.4L	Heavy Duty	6IR5	3721	37214	0.035
1976	V8 7.4L	Light Duty	6IR4Y	3720	37204	0.035
1975	L6 4.1L		6IR5Y	3722	37224	0.035
1975	L6 4.8L	Heavy Duty	6IR5	3721	37214	0.035
1975	L6 4.8L	Light Duty	6IR5Y	3722	37224	0.035
1975	V8 5.7L		6IR5	3721	37214	0.035
1975	V8 6.6L		6IR5	3721	37214	0.035
<b>G20 Van</b>						
1974	L6 4.1L		6IR5	3721	37214	0.035
1974	L6 4.8L		6IR5	3721	37214	0.035
1974	V8 5.7L	Vin V, HEI	6IR5Y	3722	37224	0.035
1974	V8 5.7L	Vin V, W/O HEI	6IR5	3721	37214	0.035
1974	V8 5.7L	Vin W, LPG	6IR5	3721	37214	0.035
1974	V8 5.7L	Vin Y	6IR5	3721	37214	0.035
1974	V8 7.4L		6IR5	3721	37214	0.035
1973	L6 4.1L		6IR5	3721	37214	0.035
1973	L6 4.8L		6IR5	3721	37214	0.035
1973	V8 5.7L		6IR5	3721	37214	0.035
1973	V8 7.4L		6IR5	3721	37214	0.035
1972	L6 4.1L		6IR5	3721	37214	0.035
1972	V8 5.7L		6IR5	3721	37214	0.035
1971	L6 4.1L		6IR4Y	3720	37204	0.035
1971	L6 4.8L		6IR5	3721	37214	0.035
1971	V8 5.7L		6IR4Y	3720	37204	0.035
1970	L6 4.1L		6IR5	3721	37214	0.035
1970	V8 5.7L		15IR6	3740	37404	0.032

Make Model Year	Engine Size	Notes:	Plug Type	MSD PN Single	MSD PN 4-Pack	Pre-Gap Setting**
1969	L6 3.8L		11IR4Y	3731	37314	0.035
1969	L6 4.1L		11IR4Y	3731	37314	0.035
1969	V8 5.0L		15IR6	3740	37404	0.032
1968	L6 3.8L		11IR4Y	3731	37314	0.035
1968	L6 4.1L		11IR4Y	3731	37314	0.035
1968	V8 5.0L		15IR5Y	3739	37394	0.035
1967	L6 3.8L		11IR4Y	3731	37314	0.035
<b>G30</b>						
1996	V8 5.7L		6IR5Y	3722	37224	0.035
1996	V8 7.4L		6IR5Y	3722	37224	0.035
1995	V6 4.3L		6IR5Y	3722	37224	0.035
1995	V8 5.7L	CNG	11R4Y	3711	37114	0.047
1995	V8 5.7L	GAS	6IR5Y	3722	37224	0.035
1995	V8 7.4L		6IR5Y	3722	37224	0.035
1994	V6 4.3L		6IR5Y	3722	37224	0.035
1994	V8 5.7L		6IR5Y	3722	37224	0.035
1994	V8 7.4L		6IR5Y	3722	37224	0.035
1993-89	V6 4.3L		6IR5Y	3722	37224	0.035
1993-89	V8 5.7L		6IR5Y	3722	37224	0.035
1993-89	V8 7.4L		6IR5Y	3722	37224	0.035
1988	V6 4.3L		6IR5Y	3722	37224	0.035
1988	V8 5.7L	CARB	6IR5	3721	37214	0.035
1988	V8 5.7L	FI	6IR5Y	3722	37224	0.035
1988	V8 7.4L		6IR5Y	3722	37224	0.035
1987	V6 4.3L		6IR5Y	3722	37224	0.035
1987	V8 5.7L	CARB	6IR5	3721	37214	0.035
1987	V8 5.7L	FI	6IR5Y	3722	37224	0.035
1986	V6 4.3L		6IR5Y	3722	37224	0.035
1986	V8 5.7L	Vin L	6IR5Y	3722	37224	0.035
1986	V8 5.7L	Vin M	6IR5	3721	37214	0.035
1985	V6 4.3L		6IR5Y	3722	37224	0.035
1985	V8 5.0L		6IR5Y	3722	37224	0.035
1985	V8 5.7L	Vin L	6IR5Y	3722	37224	0.035
1985	V8 5.7L	Vin M	6IR5	3721	37214	0.035
1984	L6 4.1L		6IR4Y	3720	37204	0.035
1984	V8 5.7L	Vin L	6IR5Y	3722	37224	0.035
1984	V8 5.7L	Vin M, Heavy Duty	6IR5	3721	37214	0.035
1984	V8 5.7L	Vin M, Light Duty	6IR4Y	3720	37204	0.035
1983	L6 4.1L		6IR4Y	3720	37204	0.035
1983	V8 5.7L	Heavy Duty	6IR5	3721	37214	0.035
1983	V8 5.7L	Light Duty	6IR4Y	3720	37204	0.035
1982	L6 4.1L		6IR4Y	3720	37204	0.035
1982	V8 5.0L		6IR4Y	3720	37204	0.035
1982	V8 5.7L	Heavy Duty	6IR5	3721	37214	0.035
1982	V8 5.7L	Light Duty	6IR4Y	3720	37204	0.035
1981	L6 4.1L		6IR4Y	3720	37204	0.035
1981	V8 5.7L	Heavy Duty	6IR5	3721	37214	0.035
1981	V8 5.7L	Light Duty	6IR4Y	3720	37204	0.035
1980	V8 5.7L	Heavy Duty	6IR5	3721	37214	0.035
1980	V8 5.7L	Light Duty	6IR4Y	3720	37204	0.035
1980	V8 6.6L	Heavy Duty	6IR5	3721	37214	0.035
1980	V8 6.6L	Light Duty	6IR4Y	3720	37204	0.035
1979	L6 4.1L		6IR4Y	3720	37204	0.035
1979	L6 4.8L		6IR5	3721	37214	0.035
1979	V8 5.0L		6IR4Y	3720	37204	0.035
1979	V8 5.7L	Heavy Duty	6IR5	3721	37214	0.035
1979	V8 5.7L	Light Duty	6IR4Y	3720	37204	0.035
1979	V8 6.6L	Heavy Duty	6IR5	3721	37214	0.035
1979	V8 6.6L	Light Duty	6IR4Y	3720	37204	0.035
1978	L6 4.1L		6IR5	3721	37214	0.035
1978	L6 4.8L		6IR5	3721	37214	0.035
1978	V8 5.0L	Heavy Duty	6IR5	3721	37214	0.035
1978	V8 5.0L	Light Duty	6IR4Y	3720	37204	0.035
1978	V8 5.7L	California	6IR5Y	3722	37224	0.035
1978	V8 5.7L	Heavy Duty	6IR5	3721	37214	0.035
1978	V8 5.7L	Light Duty	6IR4Y	3720	37204	0.035
1978	V8 6.6L	Heavy Duty	6IR5	3721	37214	0.035
1978	V8 6.6L	Light Duty	6IR4Y	3720	37204	0.035
1977	L6 4.8L		6IR5	3721	37214	0.035
1977	V8 5.7L	California	6IR5Y	3722	37224	0.035
1977	V8 5.7L	Heavy Duty	6IR5	3721	37214	0.035

\* Short Style 6 Series - PN 3741 (single), PN 37414 (4pk) - Pre-gapped 0.035  
 \* Short Style 7 Series - PN 3742 (single), PN 37424 (4pk) - Pre-gapped 0.035

CPB's = Coil Plug Boots  
 \*\* Pre-gapped for optimal performance.





Make Model Year	Engine Size	Notes:	Plug Type	MSD PN Single	MSD PN 4-Pack	Pre-Gap Setting**
1977	V8 5.7L	Light Duty	6IR4Y	3720	37204	0.035
1977	V8 6.6L	California	6IR5Y	3722	37224	0.035
1977	V8 6.6L	Heavy Duty	6IR5	3721	37214	0.035
1977	V8 6.6L	Light Duty	6IR4Y	3720	37204	0.035
1976	L6 4.1L	Heavy Duty	6IR5	3721	37214	0.035
1976	L6 4.1L	Light Duty	6IR4Y	3720	37204	0.035
1976	L6 4.8L		6IR5	3721	37214	0.035
1976	V8 5.7L	Vin L, California	6IR5Y	3722	37224	0.035
1976	V8 5.7L	Vin L, Heavy Duty	6IR5	3721	37214	0.035
1976	V8 5.7L	Vin L, Light Duty	6IR4Y	3720	37204	0.035
1976	V8 5.7L	VinV	6IR4Y	3720	37204	0.035
1976	V8 6.6L	Heavy Duty	6IR5	3721	37214	0.035
1976	V8 6.6L	Light Duty	6IR4Y	3720	37204	0.035
1976	V8 7.4L	Heavy Duty	6IR5	3721	37214	0.035
1976	V8 7.4L	Light Duty	6IR4Y	3720	37204	0.035
1975	L6 4.8L	Heavy Duty	6IR5	3721	37214	0.035
1975	L6 4.8L	Light Duty	6IR5Y	3722	37224	0.035
1975	V8 5.7L		6IR5	3721	37214	0.035
1975	V8 6.6L		6IR5	3721	37214	0.035
1975	V8 7.4L	HEI	6IR5Y	3722	37224	0.035
1975	V8 7.4L	W/O HEI	6IR5	3721	37214	0.035
<b>G30 Van</b>						
1974	L6 4.1L		6IR5	3721	37214	0.035
1974	L6 4.8L	CARB	6IR5	3721	37214	0.035
1974	L6 4.8L	FI	6IR5	3721	37214	0.035
1974	V8 5.7L	Vin V, HEI	6IR5Y	3722	37224	0.035
1974	V8 5.7L	Vin V, W/O HEI	6IR5	3721	37214	0.035
1974	V8 5.7L	Vin Y	6IR5	3721	37214	0.035
1974	V8 7.4L		6IR5	3721	37214	0.035
1973	L6 4.1L		6IR5	3721	37214	0.035
1973	V8 5.7L		6IR5	3721	37214	0.035
1973	V8 7.4L		6IR5	3721	37214	0.035
1972	L6 4.1L		6IR5	3721	37214	0.035
1972	L6 4.8L		6IR5	3721	37214	0.035
1972	V8 5.7L		6IR5	3721	37214	0.035
1971	L6 4.1L		6IR4Y	3720	37204	0.035
1971	L6 4.8L		6IR5	3721	37214	0.035
1971	V8 5.7L		6IR4Y	3720	37204	0.035
<b>HHR</b>						
2011	L4 2.2L		5IR5Y	3719	37194	0.040
2011	L4 2.4L		5IR5Y	3719	37194	0.040
2010-09	L4 2.0L		5IR5Y	3719	37194	0.040
2010-09	L4 2.2L		5IR5Y	3719	37194	0.040
2010-09	L4 2.4L		5IR5Y	3719	37194	0.040
2008	L4 2.0L		5IR5Y	3719	37194	0.040
2008	L4 2.2L		5IR5Y	3719	37194	0.040
2008	L4 2.4L		5IR5Y	3719	37194	0.040
2007	L4 2.2L		5IR5Y	3719	37194	0.040
2007	L4 2.4L		5IR5Y	3719	37194	0.040
2006	L4 2.2L	4 CPBs Req	5IR5Y	3719	37194	0.040
2006	L4 2.4L		5IR5Y	3719	37194	0.040
<b>Impala</b>						
2013	V6 3.6L	VIN - LFX	5IR5Y	3719	37194	0.040
2013	V6 3.6L	VIN - LFX	5IR5Y	3719	37194	0.040
2013	V6 3.6L	VIN - LFX	5IR5Y	3719	37194	0.040
2012	V6 3.6L	VIN - LFX	5IR5Y	3719	37194	0.040
2012	V6 3.6L	VIN - LFX	5IR5Y	3719	37194	0.040
2012	V6 3.6L	VIN - LFX	5IR5Y	3719	37194	0.040
2011-10	V6 3.5L		N/A	N/A	N/A	
2011-10	V6 3.9L		N/A	N/A	N/A	
2009	V6 3.5L		N/A	N/A	N/A	
2009	V6 3.9L		N/A	N/A	N/A	
2009	V8 5.3L		1IR5L	3712	37124	0.047
2008-06	V6 3.5L		N/A	N/A	N/A	
2008-06	V6 3.9L		N/A	N/A	N/A	
2008-06	V8 5.3L		1IR5Y	3713	37134	0.043
2005-03	V6 3.4L		N/A	N/A	N/A	
2005-03	V6 3.8L		N/A	N/A	N/A	
2002	V6 3.4L		1IR4Y	3711	37114	0.047
2002	V6 3.8L		1IR4Y	3711	37114	0.047

Make Model Year	Engine Size	Notes:	Plug Type	MSD PN Single	MSD PN 4-Pack	Pre-Gap Setting**
1996-94	V8 5.7L		1IR5Y	3713	37134	0.043
1985	V6 3.8L		6IR4Y	3720	37204	0.035
1985	V6 4.3L		6IR4Y	3720	37204	0.035
1985	V8 5.0L		6IR4Y	3720	37204	0.035
1985	V8 5.7L	GAS	6IR4Y	3720	37204	0.035
1984-83	V6 3.8L	Vin 9	6IR4Y	3720	37204	0.035
1984-83	V6 3.8L	Vin A	6IR4Y	3720	37204	0.035
1984-83	V8 5.0L		6IR4Y	3720	37204	0.035
1984-83	V8 5.7L	GAS	6IR4Y	3720	37204	0.035
1982-80	V6 3.8L	Vin A	6IR4Y	3720	37204	0.035
1982-80	V6 3.8L	Vin K	6IR4Y	3720	37204	0.035
1982-80	V8 4.4L		6IR4Y	3720	37204	0.035
1982-80	V8 5.0L		6IR4Y	3720	37204	0.035
1982-80	V8 5.7L	GAS	6IR4Y	3720	37204	0.035
1979-77	L6 4.1L		6IR4Y	3720	37204	0.035
1979-77	V8 5.0L		6IR4Y	3720	37204	0.035
1979-77	V8 5.7L		6IR4Y	3720	37204	0.035
1976	V8 6.6L		6IR4Y	3720	37204	0.035
1976	V8 7.4L		6IR4Y	3720	37204	0.035
1975	V8 5.7L		6IR5Y	3722	37224	0.035
1975	V8 6.6L		6IR5Y	3722	37224	0.035
1975	V8 7.4L		6IR5Y	3722	37224	0.035
1975	V8 7.4L		6IR5Y	3722	37224	0.035
1974	V8 5.7L		6IR5	3721	37214	0.035
1974	V8 6.6L		6IR5	3721	37214	0.035
1974	V8 7.4L		6IR5	3721	37214	0.035
1973-72	L6 4.1L		6IR5	3721	37214	0.035
1973-72	V8 5.7L		6IR5	3721	37214	0.035
1973-72	V8 6.6L		6IR5	3721	37214	0.035
1973-72	V8 7.4L		6IR5	3721	37214	0.035
1971	L6 4.1L		6IR4Y	3720	37204	0.035
1971	V8 5.7L		6IR4Y	3720	37204	0.035
1971	V8 6.6L		6IR4Y	3720	37204	0.035
1971	V8 7.4L		6IR4Y	3720	37204	0.035
1970	L6 4.1L		6IR5	3721	37214	0.035
1970	V8 5.7L		15IR5Y	3739	37394	0.035
1970	V8 6.6L		15IR6	3740	37404	0.032
1970	V8 7.4L		6IR5	3721	37214	0.035
1969	L6 4.1L		11IR4Y	3731	37314	0.035
1969	V8 5.4L		15IR5Y	3739	37394	0.035
1969	V8 5.7L		15IR5Y	3739	37394	0.035
1969	V8 6.5L		11IR5Y	3733	37334	0.035
1969	V8 7.0L		11IR4Y	3731	37314	0.035
1968	L6 4.1L		11IR4Y	3731	37314	0.035
1968	V8 5.4L	250HP; 275 HP	15IR4Y	3738	37384	0.035
1968	V8 5.4L	300 HP	15IR5Y	3739	37394	0.035
1968	V8 6.5L		11IR5Y	3733	37334	0.035
1968	V8 7.0L		11IR5Y	3733	37334	0.035
1967-66	L6 4.1L		11IR4Y	3731	37314	0.035
1967-66	V8 4.6L		15IR4Y	3738	37384	0.035
1967-66	V8 5.4L	250HP; 275 HP	15IR4Y	3738	37384	0.035
1967-66	V8 5.4L	300 HP	15IR5Y	3739	37394	0.035
1967-66	V8 6.5L		11IR5Y	3733	37334	0.035
1967-66	V8 7.0L		11IR5Y	3733	37334	0.035
1965	L6 3.8L		11IR4Y	3731	37314	0.035
1965	L6 4.1L		11IR4Y	3731	37314	0.035
1965	V8 4.6L		15IR4Y	3738	37384	0.035
1965	V8 5.4L		15IR5Y	3739	37394	0.035
1965	V8 6.7L		11IR5Y	3733	37334	0.035
1964	L6 3.8L		11IR4Y	3731	37314	0.035
1964	V8 4.6L		15IR4Y	3738	37384	0.035
1964	V8 5.4L		15IR5Y	3739	37394	0.035
1964	V8 6.7L		11IR5Y	3733	37334	0.035
1963	L6 3.8L		11IR4Y	3731	37314	0.035
1963	V8 4.6L		15IR4Y	3738	37384	0.035
1963	V8 5.3L		15IR5Y	3739	37394	0.035
1963	V8 6.7L		11IR5Y	3733	37334	0.035
1962	L6 3.8L		15IR4Y	3738	37384	0.035
1962	V8 4.6L		15IR4Y	3738	37384	0.035
1962	V8 5.3L		15IR4Y	3738	37384	0.035
1962	V8 6.7L		11IR5Y	3733	37334	0.035

CPB's = Coil Plug Boots  
 \*\* Pre-gapped for optimal performance.

\* Short Style 6 Series - PN 3741 (single), PN 37414 (4pk) - Pre-gapped 0.035  
 \* Short Style 7 Series - PN 3742 (single), PN 37424 (4pk) - Pre-gapped 0.035





**Chevrolet Impala continued**

Make Model Year	Engine Size	Notes:	Plug Type	MSD PN Single	MSD PN 4-Pack	Pre-Gap Setting**
1961	V6 3.8L		151R4Y	3738	37384	0.035
1961	V8 4.6L		151R4Y	3738	37384	0.035
1961	V8 5.7L		111R4Y	3731	37314	0.035
1961	V8 6.7L		111R5Y	3733	37334	0.035
1960	V8 4.6L		151R4Y	3738	37384	0.035
1960	V8 5.7L		111R4Y	3731	37314	0.035
1959	V8 4.6L	CARB	151R4Y	3738	37384	0.035
1959	V8 5.7L		111R4Y	3731	37314	0.035

**K5 Blazer**

1986-84	V8 5.0L		61R4Y	3720	37204	0.035
1986-84	V8 5.7L		61R5Y	3722	37224	0.035
1983	V8 5.0L		61R4Y	3720	37204	0.035
1983	V8 5.7L		61R4Y	3720	37204	0.035
1982	L6 4.1L		61R4Y	3720	37204	0.035
1982	V8 5.0L		61R4Y	3720	37204	0.035
1982	V8 5.7L		61R4Y	3720	37204	0.035
1981-80	L6 4.1L		61R4Y	3720	37204	0.035
1981-80	V8 5.0L		61R4Y	3720	37204	0.035
1981-80	V8 5.7L	Heavy Duty	61R5	3721	37214	0.035
1981-80	V8 5.7L	Light Duty	61R4Y	3720	37204	0.035
1979	L6 4.1L		61R4Y	3720	37204	0.035
1979	V8 5.0L		61R4Y	3720	37204	0.035
1979	V8 5.7L	Heavy Duty	61R5	3721	37214	0.035
1979	V8 5.7L	Light Duty	61R4Y	3720	37204	0.035
1979	V8 6.6L	Heavy Duty	61R5	3721	37214	0.035
1979	V8 6.6L	Light Duty	61R4Y	3720	37204	0.035
1978	L6 4.1L		61R4Y	3720	37204	0.035
1978	V8 5.0L	Heavy Duty	61R5	3721	37214	0.035
1978	V8 5.0L	Light Duty	61R4Y	3720	37204	0.035
1978	V8 5.7L	California	61R5Y	3722	37224	0.035
1978	V8 5.7L	Heavy Duty	61R5	3721	37214	0.035
1978	V8 5.7L	Light Duty	61R4Y	3720	37204	0.035
1978	V8 6.6L	Heavy Duty	61R5	3721	37214	0.035
1978	V8 6.6L	Light Duty	61R4Y	3720	37204	0.035
1978	V8 7.4L	Heavy Duty	61R5	3721	37214	0.035
1978	V8 7.4L	Light Duty	61R4Y	3720	37204	0.035
1977	L6 4.1L		61R4Y	3720	37204	0.035
1977	V8 5.0L		61R5	3721	37214	0.035
1977	V8 5.7L	California	61R5Y	3722	37224	0.035
1977	V8 5.7L	Heavy Duty	61R5	3721	37214	0.035
1977	V8 5.7L	Light Duty	61R4Y	3720	37204	0.035
1977	V8 6.6L	Heavy Duty	61R5	3721	37214	0.035
1977	V8 6.6L	Light Duty	61R4Y	3720	37204	0.035
1977	V8 7.4L	Heavy Duty	61R5	3721	37214	0.035
1977	V8 7.4L	Light Duty	61R4Y	3720	37204	0.035
1976	L6 4.1L		61R4Y	3720	37204	0.035
1976	V8 5.7L	Heavy Duty	61R5	3721	37214	0.035
1976	V8 5.7L	Light Duty	61R4Y	3720	37204	0.035
1976	V8 6.6L	Heavy Duty	61R5	3721	37214	0.035
1976	V8 6.6L	Light Duty	61R4Y	3720	37204	0.035
1976	V8 7.4L	Heavy Duty	61R5	3721	37214	0.035
1976	V8 7.4L	Light Duty	61R4Y	3720	37204	0.035
1975	L6 4.1L		61R5Y	3722	37224	0.035
1975	V8 5.7L	HEI	61R5Y	3722	37224	0.035
1975	V8 5.7L	W/O HEI	61R5	3721	37214	0.035
1975	V8 6.6L		61R5	3721	37214	0.035

**K10**

1986-85	V6 4.3L		61R5Y	3722	37224	0.035
1986-85	V8 5.0L		61R4Y	3720	37204	0.035
1986-85	V8 5.7L	Vin L	61R5Y	3722	37224	0.035
1986-85	V8 5.7L	Vin M	61R5	3721	37214	0.035
1984-82	L6 4.1L		61R4Y	3720	37204	0.035
1984-82	V8 5.0L		61R4Y	3720	37204	0.035
1984-82	V8 5.7L	Heavy Duty	61R5	3721	37214	0.035
1984-82	V8 5.7L	Light Duty	61R4Y	3720	37204	0.035
1981	L6 4.1L		61R4Y	3720	37204	0.035
1981	V8 5.0L		61R4Y	3720	37204	0.035
1981	V8 5.7L	Vin L, Heavy Duty	61R5	3721	37214	0.035
1981	V8 5.7L	Vin L, Light Duty	61R4Y	3720	37204	0.035
1980	L6 4.1L		61R4Y	3720	37204	0.035
1980	L6 4.8L		61R5	3721	37214	0.035

Make Model Year	Engine Size	Notes:	Plug Type	MSD PN Single	MSD PN 4-Pack	Pre-Gap Setting**
1980	V8 5.7L	Heavy Duty	61R5	3721	37214	0.035
1980	V8 5.7L	Light Duty	61R4Y	3720	37204	0.035
1980	V8 6.6L	Vin X, Heavy Duty	61R5	3721	37214	0.035
1980	V8 6.6L	Vin X, Light Duty	61R4Y	3720	37204	0.035
1980	V8 7.4L	Vin S, Heavy Duty	61R5	3721	37214	0.035
1980	V8 7.4L	Vin S, Light Duty	61R4Y	3720	37204	0.035
1979	L6 4.1L		61R4Y	3720	37204	0.035
1979	L6 4.8L		61R5	3721	37214	0.035
1979	V8 5.0L	Heavy Duty	61R5	3721	37214	0.035
1979	V8 5.0L	Light Duty	61R4Y	3720	37204	0.035
1979	V8 5.7L	Heavy Duty	61R5	3721	37214	0.035
1979	V8 5.7L	Light Duty	61R4Y	3720	37204	0.035
1979	V8 6.6L	Heavy Duty	61R5	3721	37214	0.035
1979	V8 6.6L	Light Duty	61R4Y	3720	37204	0.035
1979	V8 7.4L	Heavy Duty	61R5	3721	37214	0.035
1979	V8 7.4L	Light Duty	61R4Y	3720	37204	0.035
1978	L6 4.1L	Heavy Duty	61R5	3721	37214	0.035
1978	L6 4.1L	Light Duty	61R4Y	3720	37204	0.035
1978	V8 5.0L	Heavy Duty	61R5	3721	37214	0.035
1978	V8 5.0L	Light Duty	61R4Y	3720	37204	0.035
1978	V8 5.7L	California	61R5Y	3722	37224	0.035
1978	V8 5.7L	Heavy Duty	61R5	3721	37214	0.035
1978	V8 5.7L	Light Duty	61R4Y	3720	37204	0.035
1978	V8 6.6L	Heavy Duty	61R5	3721	37214	0.035
1978	V8 6.6L	Light Duty	61R4Y	3720	37204	0.035
1977	L6 4.1L	Heavy Duty	61R5	3721	37214	0.035
1977	L6 4.1L	Light Duty	61R4Y	3720	37204	0.035
1977	V8 5.0L	Heavy Duty	61R5	3721	37214	0.035
1977	V8 5.0L	Light Duty	61R4Y	3720	37204	0.035
1977	V8 5.7L	California	61R5Y	3722	37224	0.035
1977	V8 5.7L	Heavy Duty	61R5	3721	37214	0.035
1977	V8 5.7L	Light Duty	61R4Y	3720	37204	0.035
1977	V8 6.6L	California	61R5Y	3722	37224	0.035
1977	V8 6.6L	Heavy Duty	61R5	3721	37214	0.035
1977	V8 6.6L	Light Duty	61R4Y	3720	37204	0.035
1977	V8 6.6L	Light Duty	61R4Y	3720	37204	0.035
1976	L6 4.1L	Heavy Duty	61R5	3721	37214	0.035
1976	L6 4.1L	Light Duty	61R4Y	3720	37204	0.035
1976	L6 4.8L		61R5	3721	37214	0.035
1976	V8 5.7L	Vin L, Heavy Duty	61R5	3721	37214	0.035
1976	V8 5.7L	Vin L, Light Duty	61R4Y	3720	37204	0.035
1976	V8 5.7L	Vin V	61R4Y	3720	37204	0.035
1976	V8 6.6L	Heavy Duty	61R5	3721	37214	0.035
1976	V8 6.6L	Light Duty	61R4Y	3720	37204	0.035
1976	V8 7.4L	Heavy Duty	61R5	3721	37214	0.035
1976	V8 7.4L	Light Duty	61R4Y	3720	37204	0.035
1975	L6 4.1L		61R5Y	3722	37224	0.035
1975	L6 4.8L	HEI	61R5Y	3722	37224	0.035
1975	L6 4.8L	W/O HEI	61R5	3721	37214	0.035
1975	V8 5.7L	HEI	61R5Y	3722	37224	0.035
1975	V8 5.7L	W/O HEI	61R5	3721	37214	0.035
1975	V8 6.6L		61R5	3721	37214	0.035

**K10 Pickup**

1974	L6 4.1L		61R5	3721	37214	0.035
1974	V8 5.7L		61R5	3721	37214	0.035
1974	V8 7.4L		61R5	3721	37214	0.035
1973-72	L6 4.1L		61R5	3721	37214	0.035
1973-72	V8 5.7L		61R5	3721	37214	0.035
1971	L6 4.1L		61R4Y	3720	37204	0.035
1971	V8 5.7L		61R5	3721	37214	0.035
1970	L6 4.1L		61R5	3721	37214	0.035
1970	V8 5.7L		151R6	3740	37404	0.032
1969	L6 3.8L		111R4Y	3731	37314	0.035
1969	V8 5.0L		151R6	3740	37404	0.032
1969	V8 5.7L		151R6	3740	37404	0.032
1969	V8 5.7L		111R5Y	3733	37334	0.035
1968	L6 3.8L		111R4Y	3731	37314	0.035
1968	V8 5.0L		151R5Y	3739	37394	0.035
1968	V8 5.4L		151R6	3740	37404	0.032
1968	V8 6.5L		111R5Y	3733	37334	0.035
1967	L6 4.1L		111R4Y	3731	37314	0.035
1967	V8 4.6L		151R6	3740	37404	0.032

\* Short Style 6 Series - PN 3741 (single), PN 37414 (4pk) - Pre-gapped 0.035  
 \* Short Style 7 Series - PN 3742 (single), PN 37424 (4pk) - Pre-gapped 0.035

CPB's = Coil Plug Boots  
 \*\* Pre-gapped for optimal performance.



Make Model Year	Engine Size	Notes:	Plug Type	MSD PN Single	MSD PN 4-Pack	Pre-Gap Setting**
1967	V8 5.3L		15IR6	3740	37404	0.032
1966	L6 4.1L		11IR4Y	3731	37314	0.035
1966	L6 4.8L		11IR6	3734	37344	0.032
1966	V8 4.6L		15IR6	3740	37404	0.032
1966	V8 5.3L		15IR6	3740	37404	0.032
1965-64	L6 3.8L		11IR4Y	3731	37314	0.035
1965-64	L6 4.8L		11IR6	3734	37344	0.032
1965-64	V8 4.6L		15IR6	3740	37404	0.032
1965-64	V8 5.3L		15IR6	3740	37404	0.032
1963	V8 4.6L		15IR6	3740	37404	0.032
1962	V8 4.6L		15IR6	3740	37404	0.032
1962	V8 5.3L		15IR6	3740	37404	0.032
1961	V8 4.6L		15IR6	3740	37404	0.032
<b>K10 Suburban</b>						
1986	V8 5.0L		6IR4Y	3720	37204	0.035
1986	V8 5.7L Vin L		6IR5Y	3722	37224	0.035
1986	V8 5.7L Vin M		6IR5	3721	37214	0.035
1985	V8 5.0L Vin F		6IR5Y	3722	37224	0.035
1985	V8 5.0L Vin H		6IR4Y	3720	37204	0.035
1985	V8 5.7L Vin L		6IR5Y	3722	37224	0.035
1985	V8 5.7L Vin M		6IR5	3721	37214	0.035
1984	V8 5.0L		6IR5Y	3722	37224	0.035
1984	V8 5.7L		6IR5Y	3722	37224	0.035
1983-81	V8 5.0L		6IR4Y	3720	37204	0.035
1983-81	V8 5.7L Heavy Duty		6IR5	3721	37214	0.035
1983-81	V8 5.7L Light Duty		6IR4Y	3720	37204	0.035
1980	L6 4.1L		6IR4Y	3720	37204	0.035
1980	V8 5.0L		6IR4Y	3720	37204	0.035
1980	V8 5.7L Vin L, Heavy Duty		6IR5	3721	37214	0.035
1980	V8 5.7L Vin L, Light Duty		6IR4Y	3720	37204	0.035
1980	V8 5.7L Vin M, Heavy Duty		6IR5	3721	37214	0.035
1979	L6 4.1L		6IR4Y	3720	37204	0.035
1979	V8 5.0L Heavy Duty		6IR5	3721	37214	0.035
1979	V8 5.0L Light Duty		6IR4Y	3720	37204	0.035
1979	V8 5.7L Heavy Duty		6IR5	3721	37214	0.035
1979	V8 5.7L Light Duty		6IR4Y	3720	37204	0.035
1979	V8 6.6L Heavy Duty		6IR5	3721	37214	0.035
1979	V8 6.6L Light Duty		6IR4Y	3720	37204	0.035
1978	L6 4.1L Heavy Duty		6IR5	3721	37214	0.035
1978	L6 4.1L Light Duty		6IR4Y	3720	37204	0.035
1978	V8 5.0L Heavy Duty		6IR5	3721	37214	0.035
1978	V8 5.0L Light Duty		6IR4Y	3720	37204	0.035
1978	V8 5.7L California		6IR5Y	3722	37224	0.035
1978	V8 5.7L Heavy Duty		6IR5	3721	37214	0.035
1978	V8 5.7L Light Duty		6IR4Y	3720	37204	0.035
1978	V8 6.6L Heavy Duty		6IR5	3721	37214	0.035
1978	V8 6.6L Light Duty		6IR4Y	3720	37204	0.035
1977	L6 4.1L Heavy Duty		6IR5	3721	37214	0.035
1977	L6 4.1L Light Duty		6IR4Y	3720	37204	0.035
1977	V8 5.0L Heavy Duty		6IR5	3721	37214	0.035
1977	V8 5.0L Light Duty		6IR4Y	3720	37204	0.035
1977	V8 5.7L California		6IR5Y	3722	37224	0.035
1977	V8 5.7L Heavy Duty		6IR5	3721	37214	0.035
1977	V8 5.7L Light Duty		6IR4Y	3720	37204	0.035
1977	V8 6.6L California		6IR5Y	3722	37224	0.035
1977	V8 6.6L Heavy Duty		6IR5	3721	37214	0.035
1977	V8 6.6L Light Duty		6IR4Y	3720	37204	0.035
1976	L6 4.1L Heavy Duty		6IR5	3721	37214	0.035
1976	L6 4.1L Light Duty		6IR4Y	3720	37204	0.035
1976	V8 5.0L Heavy Duty		6IR5	3721	37214	0.035
1976	V8 5.0L Light Duty		6IR4Y	3720	37204	0.035
1976	V8 5.7L Vin L, Heavy Duty		6IR5	3721	37214	0.035
1976	V8 5.7L Vin L, Light Duty		6IR4Y	3720	37204	0.035
1976	V8 5.7L Vin V		6IR5	3721	37214	0.035
1976	V8 6.6L Heavy Duty		6IR5	3721	37214	0.035
1976	V8 6.6L Light Duty		6IR4Y	3720	37204	0.035
1975	L6 4.1L		6IR5Y	3722	37224	0.035
1975	V8 5.7L		6IR5	3721	37214	0.035
1975	V8 6.6L		6IR5	3721	37214	0.035
1974	L6 4.1L		6IR5	3721	37214	0.035
1974	V8 5.7L		6IR5	3721	37214	0.035

Make Model Year	Engine Size	Notes:	Plug Type	MSD PN Single	MSD PN 4-Pack	Pre-Gap Setting**
1973	L6 4.1L		6IR5	3721	37214	0.035
1973	V8 5.0L		6IR5	3721	37214	0.035
1973	V8 5.7L		6IR5	3721	37214	0.035
1972	L6 4.1L		6IR5	3721	37214	0.035
1972	V8 5.0L		6IR5	3721	37214	0.035
1972	V8 5.7L		6IR5	3721	37214	0.035
1972	V8 6.6L		6IR5	3721	37214	0.035
1971	L6 4.1L		6IR4Y	3720	37204	0.035
1971	V8 5.0L		6IR4Y	3720	37204	0.035
1971	V8 5.7L		6IR5	3721	37214	0.035
1971	V8 6.6L		6IR4Y	3720	37204	0.035
1970	L6 4.1L		6IR5	3721	37214	0.035
1970	V8 5.0L		15IR6	3740	37404	0.032
1970	V8 5.7L		15IR6	3740	37404	0.032
1970	V8 6.6L		6IR5	3721	37214	0.035
1969	L6 4.1L		11IR4Y	3731	37314	0.035
1969	V8 5.0L		15IR6	3740	37404	0.032
1969	V8 5.7L		15IR6	3740	37404	0.032
1969	V8 6.5L		11IR5Y	3733	37334	0.035
1968	L6 4.1L		11IR4Y	3731	37314	0.035
1968	V8 5.0L		15IR5Y	3739	37394	0.035
1968	V8 5.4L		15IR6	3740	37404	0.032
1968	V8 6.5L		11IR5Y	3733	37334	0.035
<b>K20</b>						
1986	L6 4.8L		6IR5	3721	37214	0.035
1986	V8 5.7L Vin L		6IR5Y	3722	37224	0.035
1986	V8 5.7L Vin M		6IR5	3721	37214	0.035
1985	L6 4.8L		6IR5	3721	37214	0.035
1985	V6 4.3L		6IR5Y	3722	37224	0.035
1985	V8 5.0L		6IR4Y	3720	37204	0.035
1985	V8 5.7L Vin L		6IR5Y	3722	37224	0.035
1985	V8 5.7L Vin M		6IR5	3721	37214	0.035
1984-81	L6 4.8L		6IR5	3721	37214	0.035
1984-81	V8 5.7L Heavy Duty		6IR5	3721	37214	0.035
1984-81	V8 5.7L Light Duty		6IR4Y	3720	37204	0.035
1980	L6 4.1L		6IR4Y	3720	37204	0.035
1980	L6 4.8L		6IR5	3721	37214	0.035
1980	V8 5.0L		6IR4Y	3720	37204	0.035
1980	V8 5.7L Heavy Duty		6IR5	3721	37214	0.035
1980	V8 5.7L Light Duty		6IR4Y	3720	37204	0.035
1980	V8 6.6L Vin X, Heavy Duty		6IR5	3721	37214	0.035
1980	V8 6.6L Vin X, Light Duty		6IR4Y	3720	37204	0.035
1980	V8 7.4L Vin S, Heavy Duty		6IR5	3721	37214	0.035
1980	V8 7.4L Vin S, Light Duty		6IR4Y	3720	37204	0.035
1979	L6 4.1L		6IR4Y	3720	37204	0.035
1979	L6 4.8L		6IR5	3721	37214	0.035
1979	V8 5.7L Heavy Duty		6IR5	3721	37214	0.035
1979	V8 5.7L Light Duty		6IR4Y	3720	37204	0.035
1979	V8 6.6L Heavy Duty		6IR5	3721	37214	0.035
1979	V8 6.6L Light Duty		6IR4Y	3720	37204	0.035
1978	L6 4.1L Heavy Duty		6IR4Y	3720	37204	0.035
1978	L6 4.1L Light Duty		6IR5	3721	37214	0.035
1978	V8 5.0L Heavy Duty		6IR5	3721	37214	0.035
1978	V8 5.0L Light Duty		6IR4Y	3720	37204	0.035
1978	V8 5.7L California		6IR5Y	3722	37224	0.035
1978	V8 5.7L Heavy Duty		6IR5	3721	37214	0.035
1978	V8 5.7L Light Duty		6IR4Y	3720	37204	0.035
1978	V8 6.6L California		6IR5Y	3722	37224	0.035
1978	V8 6.6L Heavy Duty		6IR5	3721	37214	0.035
1978	V8 6.6L Light Duty		6IR4Y	3720	37204	0.035
1978	V8 7.4L Heavy Duty		6IR5	3721	37214	0.035
1978	V8 7.4L Light Duty		6IR4Y	3720	37204	0.035
1977	L6 4.8L		6IR5	3721	37214	0.035
1977	V8 5.0L Heavy Duty		6IR5	3721	37214	0.035
1977	V8 5.0L Light Duty		6IR4Y	3720	37204	0.035
1977	V8 5.7L California		6IR5Y	3722	37224	0.035
1977	V8 5.7L Heavy Duty		6IR5	3721	37214	0.035
1977	V8 5.7L Light Duty		6IR4Y	3720	37204	0.035
1977	V8 6.6L California		6IR5Y	3722	37224	0.035
1977	V8 6.6L Heavy Duty		6IR5	3721	37214	0.035
1977	V8 6.6L Light Duty		6IR4Y	3720	37204	0.035
1977	V8 7.4L Heavy Duty		6IR5	3721	37214	0.035
1977	V8 7.4L Light Duty		6IR4Y	3720	37204	0.035
1977	L6 4.8L		6IR5	3721	37214	0.035
1977	V8 5.0L Heavy Duty		6IR5	3721	37214	0.035
1977	V8 5.0L Light Duty		6IR4Y	3720	37204	0.035
1977	V8 5.7L California		6IR5Y	3722	37224	0.035
1977	V8 5.7L Heavy Duty		6IR5	3721	37214	0.035
1977	V8 5.7L Light Duty		6IR4Y	3720	37204	0.035
1977	V8 6.6L California		6IR5Y	3722	37224	0.035
1977	V8 6.6L Heavy Duty		6IR5	3721	37214	0.035
1977	V8 6.6L Light Duty		6IR4Y	3720	37204	0.035
1977	V8 7.4L Heavy Duty		6IR5	3721	37214	0.035
1977	V8 7.4L Light Duty		6IR4Y	3720	37204	0.035

CPB's = Coil Plug Boots

\*\* Pre-gapped for optimal performance.

\* Short Style 6 Series - PN 3741 (single), PN 37414 (4pk) - Pre-gapped 0.035

\* Short Style 7 Series - PN 3742 (single), PN 37424 (4pk) - Pre-gapped 0.035



**Chevrolet K20 continued**

Make Model Year	Engine Size	Notes:	Plug Type	MSD PN Single	MSD PN 4-Pack	Pre-Gap Setting**
1977	V8 7.4L		6IR4Y	3720	37204	0.035
1976	L6 4.1L	Heavy Duty	6IR5	3721	37214	0.035
1976	L6 4.1L	Light Duty	6IR4Y	3720	37204	0.035
1976	L6 4.8L		6IR5	3721	37214	0.035
1976	V8 5.7L	Vin L, Heavy Duty	6IR5	3721	37214	0.035
1976	V8 5.7L	Vin L, Light Duty	6IR4Y	3720	37204	0.035
1976	V8 5.7L	Vin V	6IR4Y	3720	37204	0.035
1976	V8 6.6L	Heavy Duty	6IR5	3721	37214	0.035
1976	V8 6.6L	Light Duty	6IR4Y	3720	37204	0.035
1976	V8 7.4L		6IR4Y	3720	37204	0.035
1975	L6 4.1L		6IR5Y	3722	37224	0.035
1975	L6 4.8L	HEI	6IR5Y	3722	37224	0.035
1975	L6 4.8L	W/O HEI	6IR5	3721	37214	0.035
1975	V8 5.7L	Vin V, HEI	6IR5Y	3722	37224	0.035
1975	V8 5.7L	Vin V, W/O HEI	6IR5	3721	37214	0.035
1975	V8 5.7L	Vin Y	6IR5	3721	37214	0.035
1975	V8 6.6L		6IR5	3721	37214	0.035
<b>K20 Pickup</b>						
1974	L6 4.1L		6IR5	3721	37214	0.035
1974	L6 4.8L		6IR5	3721	37214	0.035
1974	V8 5.7L		6IR5	3721	37214	0.035
1974	V8 7.4L		6IR5	3721	37214	0.035
1973	L6 4.1L		6IR5	3721	37214	0.035
1973	L6 4.8L		6IR5	3721	37214	0.035
1973	V8 5.7L		6IR5	3721	37214	0.035
1973	V8 7.4L		6IR5	3721	37214	0.035
1972	L6 4.1L		6IR5	3721	37214	0.035
1972	L6 4.8L	Vin S	6IR5	3721	37214	0.035
1972	V8 5.7L		6IR5	3721	37214	0.035
1971	L6 4.1L		6IR4Y	3720	37204	0.035
1971	L6 4.8L		6IR5	3721	37214	0.035
1971	V8 5.7L		6IR5	3721	37214	0.035
1970	L6 4.1L		6IR5	3721	37214	0.035
1970	L6 4.8L		6IR5	3721	37214	0.035
1970	V8 5.7L		15IR6	3740	37404	0.032
1969	L6 4.1L		11IR4Y	3731	37314	0.035
1969	V8 5.0L		15IR6	3740	37404	0.032
1969	V8 5.7L		15IR6	3740	37404	0.032
1969	V8 6.5L		11IR5Y	3733	37334	0.035
1968	L6 4.1L		11IR4Y	3731	37314	0.035
1968	V8 5.0L		15IR5Y	3739	37394	0.035
1968	V8 5.4L		15IR6	3740	37404	0.032
1968	V8 6.5L		11IR5Y	3733	37334	0.035
1967	L6 4.1L		11IR4Y	3731	37314	0.035
1967	L6 4.8L		11IR6	3734	37344	0.032
1967	V8 4.6L		15IR6	3740	37404	0.032
1967	V8 5.3L		15IR6	3740	37404	0.032
1966	L6 4.1L		11IR4Y	3731	37314	0.035
1966	L6 4.8L		11IR6	3734	37344	0.032
1966	V8 4.6L		15IR6	3740	37404	0.032
1966	V8 5.3L		15IR6	3740	37404	0.032
1966	V8 6.0L		11IR6	3734	37344	0.032
1965-64	L6 3.8L		11IR4Y	3731	37314	0.035
1965-64	L6 4.8L		11IR6	3734	37344	0.032
1965-64	V8 4.6L		15IR6	3740	37404	0.032
1965-64	V8 5.3L		15IR6	3740	37404	0.032
1965-64	V8 5.7L		11IR6	3734	37344	0.032
1965-64	V8 6.7L		11IR5	3732	37324	0.032
1963	V8 4.6L		15IR6	3740	37404	0.032
1962	V8 4.6L		15IR6	3740	37404	0.032
1962	V8 5.3L		15IR6	3740	37404	0.032
1962	V8 5.7L		11IR6	3734	37344	0.032
1962	V8 6.7L		11IR5	3732	37324	0.032
1961	V8 4.6L		15IR6	3740	37404	0.032
1961	V8 5.7L		11IR6	3734	37344	0.032
<b>K20 Suburban</b>						
1986	V8 5.0L		6IR4Y	3720	37204	0.035
1986	V8 5.7L	Vin L	6IR5Y	3722	37224	0.035
1986	V8 5.7L	Vin M	6IR5	3721	37214	0.035
1985	V8 5.0L		6IR4Y	3720	37204	0.035
1985	V8 5.7L	Vin L	6IR5Y	3722	37224	0.035

Make Model Year	Engine Size	Notes:	Plug Type	MSD PN Single	MSD PN 4-Pack	Pre-Gap Setting**
1985	V8 5.7L	Vin M	6IR5	3721	37214	0.035
1985	V8 7.4L		6IR5	3721	37214	0.035
1984	V8 5.7L	Vin L	6IR5Y	3722	37224	0.035
1984	V8 5.7L	Vin M, Heavy Duty	6IR5	3721	37214	0.035
1984	V8 5.7L	Vin M, Light Duty	6IR4Y	3720	37204	0.035
1983	V8 5.7L	Heavy Duty	6IR5	3721	37214	0.035
1983	V8 5.7L	Light Duty	6IR4Y	3720	37204	0.035
1982-81	L6 4.8L		6IR5	3721	37214	0.035
1982-81	V8 5.7L	Heavy Duty	6IR5	3721	37214	0.035
1982-81	V8 5.7L	Light Duty	6IR4Y	3720	37204	0.035
1980	L6 4.8L		6IR5	3721	37214	0.035
1980	V8 5.7L	Vin L, Heavy Duty	6IR5	3721	37214	0.035
1980	V8 5.7L	Vin L, Light Duty	6IR4Y	3720	37204	0.035
1980	V8 5.7L	Vin M, Heavy Duty	6IR5	3721	37214	0.035
1980	V8 5.7L	Vin P	6IR4Y	3720	37204	0.035
1980	V8 6.6L	Vin R, Heavy Duty	6IR5	3721	37214	0.035
1980	V8 6.6L	Vin R, Light Duty	6IR4Y	3720	37204	0.035
1979	L6 4.8L		6IR5	3721	37214	0.035
1979	V8 5.7L	Heavy Duty	6IR5	3721	37214	0.035
1979	V8 5.7L	Light Duty	6IR4Y	3720	37204	0.035
1979	V8 6.6L	Heavy Duty	6IR5	3721	37214	0.035
1979	V8 6.6L	Light Duty	6IR4Y	3720	37204	0.035
1978	L6 4.8L		6IR5	3721	37214	0.035
1978	V8 5.0L	Heavy Duty	6IR5	3721	37214	0.035
1978	V8 5.0L	Light Duty	6IR4Y	3720	37204	0.035
1978	V8 5.7L	California	6IR5Y	3722	37224	0.035
1978	V8 5.7L	Heavy Duty	6IR5	3721	37214	0.035
1978	V8 5.7L	Light Duty	6IR4Y	3720	37204	0.035
1978	V8 6.6L	Heavy Duty	6IR5	3721	37214	0.035
1978	V8 6.6L	Light Duty	6IR4Y	3720	37204	0.035
1977	L6 4.8L		6IR5	3721	37214	0.035
1977	V8 5.0L	Heavy Duty	6IR5	3721	37214	0.035
1977	V8 5.0L	Light Duty	6IR4Y	3720	37204	0.035
1977	V8 5.7L	California	6IR5Y	3722	37224	0.035
1977	V8 5.7L	Heavy Duty	6IR5	3721	37214	0.035
1977	V8 5.7L	Light Duty	6IR4Y	3720	37204	0.035
1977	V8 6.6L	California	6IR5Y	3722	37224	0.035
1977	V8 6.6L	Heavy Duty	6IR5	3721	37214	0.035
1977	V8 6.6L	Light Duty	6IR4Y	3720	37204	0.035
1976	L6 4.8L		6IR5	3721	37214	0.035
1976	V8 5.7L	Vin L, Heavy Duty	6IR5	3721	37214	0.035
1976	V8 5.7L	Vin L, Light Duty	6IR4Y	3720	37204	0.035
1976	V8 5.7L	Vin V	6IR4Y	3720	37204	0.035
1976	V8 6.6L	Heavy Duty	6IR5	3721	37214	0.035
1976	V8 6.6L	Light Duty	6IR4Y	3720	37204	0.035
1975	L6 4.8L	HEI	6IR5Y	3722	37224	0.035
1975	L6 4.8L	W/O HEI	6IR5	3721	37214	0.035
1975	V8 5.7L	HEI	6IR5Y	3722	37224	0.035
1975	V8 5.7L	W/O HEI	6IR5	3721	37214	0.035
1975	V8 6.6L		6IR5	3721	37214	0.035
1974	L6 4.1L		6IR5	3721	37214	0.035
1974	L6 4.8L		6IR5	3721	37214	0.035
1974	V8 5.7L		6IR5	3721	37214	0.035
1973	L6 4.1L		6IR5	3721	37214	0.035
1973	L6 4.8L		6IR5	3721	37214	0.035
1973	V8 5.0L		6IR5	3721	37214	0.035
1973	V8 5.7L		6IR5	3721	37214	0.035
1973	V8 7.4L		6IR5	3721	37214	0.035
1972	L6 4.1L		6IR5	3721	37214	0.035
1972	L6 4.8L		6IR5	3721	37214	0.035
1972	V8 5.0L		6IR5	3721	37214	0.035
1972	V8 5.7L		6IR5	3721	37214	0.035
1971	L6 4.1L		6IR4Y	3720	37204	0.035
1971	L6 4.8L		6IR5	3721	37214	0.035
1971	V8 5.0L		6IR4Y	3720	37204	0.035
1971	V8 5.7L		6IR5	3721	37214	0.035
1970	L6 4.1L		6IR5	3721	37214	0.035
1970	L6 4.8L		6IR5	3721	37214	0.035
1970	V8 5.0L		15IR6	3740	37404	0.032
1970	V8 5.7L		15IR6	3740	37404	0.032
1969	L6 4.1L		11IR4Y	3731	37314	0.035

\* Short Style 6 Series - PN 3741 (single), PN 37414 (4pk) - Pre-gapped 0.035  
 \* Short Style 7 Series - PN 3742 (single), PN 37424 (4pk) - Pre-gapped 0.035

CPB's = Coil Plug Boots  
 \*\* Pre-gapped for optimal performance.





Make Model Year	Engine Size	Notes:	Plug Type	MSD PN Single	MSD PN 4-Pack	Pre-Gap Setting**
1969	L6 4.8L		11IR6	3734	37344	0.032
1969	V8 5.0L		15IR6	3740	37404	0.032
1969	V8 5.7L		15IR6	3740	37404	0.032
1968	L6 4.1L		11IR4Y	3731	37314	0.035
1968	L6 4.8L		11IR6	3734	37344	0.032
1968	V8 5.0L		15IR5Y	3739	37394	0.035
1968	V8 5.4L		15IR6	3740	37404	0.032
<b>K30</b>						
1986	L6 4.8L		6IR5	3721	37214	0.035
1986	V8 5.7L		6IR5	3721	37214	0.035
1986	V8 7.4L		6IR5	3721	37214	0.035
1985	L6 4.8L		6IR5	3721	37214	0.035
1985	V8 5.7L	Vin L	6IR5Y	3722	37224	0.035
1985	V8 5.7L	Vin M	6IR5	3721	37214	0.035
1985	V8 7.4L		6IR5	3721	37214	0.035
1984-82	L6 4.8L		6IR5	3721	37214	0.035
1984-82	V8 5.7L	Heavy Duty	6IR5	3721	37214	0.035
1984-82	V8 5.7L	Light Duty	6IR4Y	3720	37204	0.035
1984-82	V8 7.4L		6IR5	3721	37214	0.035
1981	L6 4.8L		6IR5	3721	37214	0.035
1981	V8 5.7L		6IR5	3721	37214	0.035
1981	V8 7.4L		6IR5	3721	37214	0.035
1980	L6 4.8L		6IR5	3721	37214	0.035
1980	V8 5.7L	Heavy Duty	6IR5	3721	37214	0.035
1980	V8 5.7L	Light Duty	6IR4Y	3720	37204	0.035
1980	V8 6.6L	Vin R, Heavy Duty	6IR5	3721	37214	0.035
1980	V8 6.6L	Vin R, Light Duty	6IR4Y	3720	37204	0.035
1980	V8 7.4L	Heavy Duty	6IR5	3721	37214	0.035
1980	V8 7.4L	Light Duty	6IR4Y	3720	37204	0.035
1979	L6 4.8L		6IR5	3721	37214	0.035
1979	V8 5.7L	Heavy Duty	6IR5	3721	37214	0.035
1979	V8 5.7L	Light Duty	6IR4Y	3720	37204	0.035
1979	V8 6.6L	Heavy Duty	6IR5	3721	37214	0.035
1979	V8 6.6L	Light Duty	6IR4Y	3720	37204	0.035
1978	L6 4.8L		6IR5	3721	37214	0.035
1978	V8 5.7L	California	6IR5Y	3722	37224	0.035
1978	V8 5.7L	Heavy Duty	6IR5	3721	37214	0.035
1978	V8 5.7L	Light Duty	6IR4Y	3720	37204	0.035
1978	V8 6.6L	Heavy Duty	6IR5	3721	37214	0.035
1978	V8 6.6L	Light Duty	6IR4Y	3720	37204	0.035
1977	L6 4.8L		6IR5	3721	37214	0.035
1977	V8 5.7L	California	6IR5Y	3722	37224	0.035
1977	V8 5.7L	Heavy Duty	6IR5	3721	37214	0.035
1977	V8 5.7L	Light Duty	6IR4Y	3720	37204	0.035
1977	V8 6.6L	California	6IR5Y	3722	37224	0.035
1977	V8 6.6L	Heavy Duty	6IR5	3721	37214	0.035
1977	V8 6.6L	Light Duty	6IR4Y	3720	37204	0.035
1977	V8 7.4L		6IR4Y	3720	37204	0.035
<b>K30 Pickup</b>						
1974	L6 4.1L		6IR5	3721	37214	0.035
1974	L6 4.8L		6IR5	3721	37214	0.035
1974	V8 5.7L		6IR5	3721	37214	0.035
1974	V8 7.4L		6IR5	3721	37214	0.035
1973	L6 4.1L		6IR5	3721	37214	0.035
1973	L6 4.8L		6IR5	3721	37214	0.035
1973	V8 5.0L		6IR5	3721	37214	0.035
1973	V8 5.7L		6IR5	3721	37214	0.035
1973	V8 7.4L		6IR5	3721	37214	0.035
1972	L6 4.1L		6IR5	3721	37214	0.035
1972	L6 4.8L		6IR5	3721	37214	0.035
1972	V8 5.0L		6IR5	3721	37214	0.035
1972	V8 5.7L		6IR5	3721	37214	0.035
1971	L6 4.1L		6IR4Y	3720	37204	0.035
1971	L6 4.8L		6IR5	3721	37214	0.035
1971	V8 5.0L		6IR4Y	3720	37204	0.035
1971	V8 5.7L		6IR5	3721	37214	0.035
1971	V8 6.6L		6IR4Y	3720	37204	0.035
1970	L6 4.1L		6IR5	3721	37214	0.035
1970	L6 4.8L		6IR5	3721	37214	0.035
1970	V8 5.0L		15IR6	3740	37404	0.032
1970	V8 5.7L		15IR6	3740	37404	0.032

CPB's = Coil Plug Boots  
 \*\* Pre-gapped for optimal performance.

Make Model Year	Engine Size	Notes:	Plug Type	MSD PN Single	MSD PN 4-Pack	Pre-Gap Setting**
1970	V8 6.6L		6IR5	3721	37214	0.035
1969	L6 4.1L		11IR4Y	3731	37314	0.035
1969	L6 4.8L		11IR6	3734	37344	0.032
1969	V8 5.0L		15IR6	3740	37404	0.032
1969	V8 5.7L		15IR6	3740	37404	0.032
1969	V8 6.5L		11IR5Y	3733	37334	0.035
1968	L6 4.1L		11IR4Y	3731	37314	0.035
1968	L6 4.8L		11IR6	3734	37344	0.032
1968	V8 5.0L		15IR5Y	3739	37394	0.035
1968	V8 5.4L		15IR6	3740	37404	0.032
1968	V8 6.5L		11IR5Y	3733	37334	0.035
<b>K1500</b>						
1999	V8 5.0L		1IR4Y	3711	37114	0.047
1999	V8 5.7L		1IR4Y	3711	37114	0.047
1998-96	V6 4.3L		1IR5L	3712	37124	0.047
1998-96	V8 5.0L		1IR4Y	3711	37114	0.047
1998-96	V8 5.7L		1IR4Y	3711	37114	0.047
1995-94	V6 4.3L		6IR5Y	3722	37224	0.035
1995-94	V8 5.0L		6IR5Y	3722	37224	0.035
1995-94	V8 5.7L		6IR5Y	3722	37224	0.035
1993-88	V6 4.3L		6IR5Y	3722	37224	0.035
1993-88	V8 5.0L		6IR5Y	3722	37224	0.035
1993-88	V8 5.7L		6IR5Y	3722	37224	0.035
<b>K1500 Suburban</b>						
1999-96	V8 5.7L		1IR4Y	3711	37114	0.047
1995-94	V8 5.7L		6IR5Y	3722	37224	0.035
1993-92	V8 5.7L		6IR5Y	3722	37224	0.035
<b>K2500</b>						
2000-99	V8 5.7L		1IR4Y	3711	37114	0.047
2000-99	V8 7.4L		1IR4Y	3711	37114	0.047
1998-97	V8 5.0L		1IR4Y	3711	37114	0.047
1998-97	V8 5.7L		1IR4Y	3711	37114	0.047
1998-97	V8 7.4L		1IR4Y	3711	37114	0.047
1996	V8 5.7L		1IR4Y	3711	37114	0.047
1996	V8 7.4L		1IR4Y	3711	37114	0.047
1995-94	V6 4.3L		6IR5Y	3722	37224	0.035
1995-94	V8 5.0L		6IR5Y	3722	37224	0.035
1995-94	V8 5.7L		6IR5Y	3722	37224	0.035
1995-94	V8 7.4L		6IR5Y	3722	37224	0.035
1993-92	V6 4.3L		6IR5Y	3722	37224	0.035
1993-92	V8 5.0L		6IR5Y	3722	37224	0.035
1993-92	V8 5.7L	CNG	1IR4Y	3711	37114	0.047
1993-92	V8 5.7L	GAS	6IR5Y	3722	37224	0.035
1993-92	V8 7.4L		6IR5Y	3722	37224	0.035
1991	V6 4.3L		6IR5Y	3722	37224	0.035
1991	V8 5.0L		6IR5Y	3722	37224	0.035
1991	V8 5.7L		6IR5Y	3722	37224	0.035
1991	V8 7.4L		6IR5Y	3722	37224	0.035
1990-88	V6 4.3L		6IR5Y	3722	37224	0.035
1990-88	V8 5.0L		6IR5Y	3722	37224	0.035
1990-88	V8 5.7L		6IR5Y	3722	37224	0.035
<b>K2500 Suburban</b>						
1999-96	V8 5.7L		1IR4Y	3711	37114	0.047
1999-96	V8 7.4L		1IR4Y	3711	37114	0.047
1995-94	V8 5.7L		6IR5Y	3722	37224	0.035
1995-94	V8 7.4L		6IR5Y	3722	37224	0.035
1993-92	V8 5.7L		6IR5Y	3722	37224	0.035
1993-92	V8 7.4L		6IR5Y	3722	37224	0.035
<b>K3500</b>						
2000-96	V8 5.7L		1IR4Y	3711	37114	0.047
2000-96	V8 7.4L		1IR4Y	3711	37114	0.047
1995-94	V8 5.7L		6IR5Y	3722	37224	0.035
1995-94	V8 7.4L		6IR5Y	3722	37224	0.035
1993-88	V8 5.7L		6IR5Y	3722	37224	0.035
1993-88	V8 7.4L		6IR5Y	3722	37224	0.035
<b>Kingswood</b>						
1972	V8 5.7L		6IR5	3721	37214	0.035
1972	V8 6.6L	Vin R	6IR5	3721	37214	0.035
1972	V8 6.6L	Vin S	6IR5	3721	37214	0.035

\* Short Style 6 Series - PN 3741 (single), PN 37414 (4pk) - Pre-gapped 0.035  
 \* Short Style 7 Series - PN 3742 (single), PN 37424 (4pk) - Pre-gapped 0.035





**Chevrolet Kingswood continued**

Make Model Year	Engine Size	Notes:	Plug Type	MSD PN Single	MSD PN 4-Pack	Pre-Gap Setting**
1972	V8 7.4L		6IR5	3721	37214	0.035
1971	V8 5.7L		6IR4Y	3720	37204	0.035
1971	V8 6.6L		6IR4Y	3720	37204	0.035
1970	V8 5.7L		15IR5Y	3739	37394	0.035
1970	V8 6.6L		15IR6	3740	37404	0.032
1970	V8 7.4L		6IR4Y	3720	37204	0.035
1969	V8 5.7L		15IR5Y	3739	37394	0.035

**Laguna**

1976	V8 5.0L		6IR4Y	3720	37204	0.035
1976	V8 5.7L		6IR4Y	3720	37204	0.035
1976	V8 6.6L		6IR4Y	3720	37204	0.035
1975	V8 5.7L Vin H		6IR5	3721	37214	0.035
1975	V8 5.7L Vin L		6IR5Y	3722	37224	0.035
1975	V8 6.6L		6IR5Y	3722	37224	0.035
1974	V8 5.7L		6IR5	3721	37214	0.035
1974	V8 6.6L		6IR5	3721	37214	0.035
1974	V8 7.4L		6IR5	3721	37214	0.035
1973	V8 5.7L		6IR5	3721	37214	0.035
1973	V8 7.4L		6IR5	3721	37214	0.035

**LLV**

1995-94	L4 2.2L		N/A	N/A	N/A	
1993-87	L4 2.5L		6IR5Y	3722	37224	0.035

**Lumina**

2001	V6 4.1L		1IR4Y	3711	37114	0.047
1999-98	V6 4.1L		1IR4Y	3711	37114	0.047
1999-98	V6 3.8L		1IR4Y	3711	37114	0.047
1997-96	V6 3.1L		1IR4Y	3711	37114	0.047
1997-96	V6 3.4L		1IR4Y	3711	37114	0.047
1995	V6 3.1L		1IR5Y	3713	37134	0.043
1995	V6 3.4L		1IR5Y	3713	37134	0.043
1994	V6 3.1L		1IR4Y	3711	37114	0.047
1994	V6 3.4L		1IR5Y	3713	37134	0.043
1993	L4 2.2L		1IR4Y	3711	37114	0.047
1993	V6 3.1L		1IR4Y	3711	37114	0.047
1993	V6 3.4L		1IR5Y	3713	37134	0.043
1992-91	L4 2.5L		6IR5Y	3722	37224	0.035
1992-91	V6 3.1L		1IR4Y	3711	37114	0.047
1992-91	V6 3.4L		1IR5Y	3713	37134	0.043
1990	L4 2.5L		6IR5Y	3722	37224	0.035
1990	V6 3.1L		1IR4Y	3711	37114	0.047

**Lumina APV**

1996	V6 3.4L		1IR4Y	3711	37114	0.047
1995-94	V6 3.1L		6IR5Y	3722	37224	0.035
1995-94	V6 3.8L		1IR4Y	3711	37114	0.047
1993-92	V6 4.1L		6IR5Y	3722	37224	0.035
1993-92	V6 3.8L		1IR5Y	3713	37134	0.043
1991-90	V6 4.1L		6IR5Y	3722	37224	0.035

**LUV**

1982-75	L4 1.8L		11IR4Y	3731	37314	0.035
---------	---------	--	--------	------	-------	-------

**Luv Pickup**

1974	L4 1.8L		11IR4Y	3731	37314	0.035
1973-72	L4 1.8L		11IR4Y	3731	37314	0.035

**Malibu**

2013	L4 2.4L VIN - LUK		5IR5Y	3719	37194	0.040
2013	L4 2.5L VIN - LCV		5IR5Y	3719	37194	0.040
2013	L4 2.0L VIN - LTG		5IR5Y	3719	37194	0.040
2012	L4 2.4L VIN - LE5 & LE9		5IR5Y	3719	37194	0.040
2012	V6 3.6L		5IR6Y	3743	37434	0.032
2011	L4 2.4L		5IR5Y	3719	37194	0.040
2011	V6 3.6L		5IR6Y	3743	37434	0.032
2010-09	L4 2.4L		5IR5Y	3719	37194	0.040
2010-09	V6 3.5L		N/A	N/A	N/A	
2010-09	V6 3.6L		5IR6Y	3743	37434	0.032
2008	L4 2.2L		5IR5Y	3719	37194	0.040
2008	L4 2.4L		5IR5Y	3719	37194	0.040
2008	V6 3.5L		N/A	N/A	N/A	
2008	V6 3.6L		5IR6Y	3743	37434	0.032
2007	L4 2.2L		5IR5Y	3719	37194	0.040
2007	V6 3.5L		N/A	N/A	N/A	

Make Model Year	Engine Size	Notes:	Plug Type	MSD PN Single	MSD PN 4-Pack	Pre-Gap Setting**
2007	V6 3.9L		N/A	N/A	N/A	
2006	L4 2.2L	4 CPBs Req	5IR5Y	3719	37194	0.040
2006	V6 3.5L		N/A	N/A	N/A	
2006	V6 3.9L		N/A	N/A	N/A	
2005-04	L4 2.2L	4 CPBs Req	5IR5Y	3719	37194	0.040
2005-04	V6 3.5L		N/A	N/A	N/A	
2003	V6 3.1L		N/A	N/A	N/A	
2002	V6 3.1L		1IR4Y	3711	37114	0.047
1999	L4 2.4L	4 CPBs Req	1IR5Y	3713	37134	0.043
1999	V6 3.1L		1IR4Y	3711	37114	0.047
1998-97	L4 2.4L	4 CPBs Req	1IR5Y	3713	37134	0.043
1998-97	V6 4.1L		1IR4Y	3711	37114	0.047
1983	V6 3.8L Vin 9		6IR4Y	3720	37204	0.035
1983	V6 3.8L Vin A		6IR4Y	3720	37204	0.035
1983	V8 5.0L		6IR4Y	3720	37204	0.035
1982	V6 3.8L Vin A		6IR4Y	3720	37204	0.035
1982	V6 3.8L Vin K		6IR4Y	3720	37204	0.035
1982	V8 4.4L		6IR4Y	3720	37204	0.035
1982	V8 5.0L		6IR4Y	3720	37204	0.035
1981-80	V6 3.8L Vin A		6IR4Y	3720	37204	0.035
1981-80	V6 3.8L Vin K		6IR4Y	3720	37204	0.035
1981-80	V8 4.4L		6IR4Y	3720	37204	0.035
1981-80	V8 5.0L		6IR4Y	3720	37204	0.035
1981-80	V8 5.7L		6IR4Y	3720	37204	0.035
1979	V6 3.3L		6IR4Y	3720	37204	0.035
1979	V6 3.8L		6IR4Y	3720	37204	0.035
1979	V8 4.4L		6IR4Y	3720	37204	0.035
1979	V8 5.0L		6IR4Y	3720	37204	0.035
1979	V8 5.7L		6IR4Y	3720	37204	0.035
1978	V6 3.3L		6IR4Y	3720	37204	0.035
1978	V6 3.8L		6IR4Y	3720	37204	0.035
1978	V8 5.0L		6IR4Y	3720	37204	0.035
1978	V8 5.7L		6IR4Y	3720	37204	0.035
1977	L6 4.1L		6IR4Y	3720	37204	0.035
1977	V8 5.0L		6IR4Y	3720	37204	0.035
1977	V8 5.7L		6IR4Y	3720	37204	0.035
1976	L6 4.1L		6IR4Y	3720	37204	0.035
1976	V8 5.0L		6IR4Y	3720	37204	0.035
1976	V8 5.7L		6IR4Y	3720	37204	0.035
1976	V8 6.6L		6IR4Y	3720	37204	0.035
1975	L6 4.1L		6IR4Y	3720	37204	0.035
1975	V8 5.7L		6IR5Y	3722	37224	0.035
1975	V8 6.6L		6IR5Y	3722	37224	0.035
1975	V8 7.4L		6IR5Y	3722	37224	0.035
1974	L6 4.1L		6IR5	3721	37214	0.035
1974	V8 5.7L		6IR5	3721	37214	0.035
1974	V8 6.6L		6IR5	3721	37214	0.035
1974	V8 7.4L		6IR5	3721	37214	0.035
1973	L6 4.1L		6IR5	3721	37214	0.035
1973	V8 5.0L		6IR5	3721	37214	0.035
1973	V8 5.7L		6IR5	3721	37214	0.035
1973	V8 7.4L		6IR5	3721	37214	0.035
1967	L6 3.8L		11IR4Y	3731	37314	0.035
1967	L6 4.1L		11IR4Y	3731	37314	0.035
1967	V8 6.5L		11IR5Y	3733	37334	0.035
1966	L6 3.2L		11IR4Y	3731	37314	0.035
1966	L6 3.8L		11IR4Y	3731	37314	0.035
1966	V8 6.5L		11IR5Y	3733	37334	0.035
1965-64	L6 3.2L		11IR4Y	3731	37314	0.035
1965-64	L6 3.8L		11IR4Y	3731	37314	0.035

**Metro**

2001	L4 1.3L		7IR6Y *	3727	37274	0.043
2001	L4 1.3L	2 CPBs Req	7IR6Y *	3727	37274	0.043
2000-99	L3 1.0L		N/A	N/A	N/A	
2000-99	L4 1.3L		7IR6Y *	3727	37274	0.043
2000-99	L4 1.3L	2 CPBs Req	7IR6Y *	3727	37274	0.043
1998	L3 1.0L		N/A	N/A	N/A	
1998	L4 1.3L		7IR6Y *	3727	37274	0.043
1992	L4 1.3L		N/A	N/A	N/A	

\* Short Style 6 Series - PN 3741 (single), PN 37414 (4pk) - Pre-gapped 0.035  
 \* Short Style 7 Series - PN 3742 (single), PN 37424 (4pk) - Pre-gapped 0.035

CPB's = Coil Plug Boots  
 \*\* Pre-gapped for optimal performance.



Make Model Year	Engine Size	Notes:	Plug Type	MSD PN Single	MSD PN 4-Pack	Pre-Gap Setting**
<b>Monte Carlo</b>						
2007	V6 3.5L		N/A	N/A	N/A	
2007	V8 5.3L		1IR5Y	3713	37134	0.043
2006	V6 3.5L		N/A	N/A	N/A	
2006	V6 3.9L		N/A	N/A	N/A	
2006	V8 5.3L		1IR5Y	3713	37134	0.043
2005-03	V6 3.4L		N/A	N/A	N/A	
2005-03	V6 3.8L		N/A	N/A	N/A	
2002	V6 3.4L		1IR4Y	3711	37114	0.047
2002	V6 3.8L		1IR4Y	3711	37114	0.047
1999-98	V6 3.1L		1IR4Y	3711	37114	0.047
1999-98	V6 3.8L		1IR4Y	3711	37114	0.047
1997-96	V6 3.1L		1IR4Y	3711	37114	0.047
1997-96	V6 3.4L		1IR4Y	3711	37114	0.047
1995	V6 4.1L		1IR5Y	3713	37134	0.043
1995	V6 3.4L		1IR5Y	3713	37134	0.043
1988	V6 4.3L		6IR4Y	3720	37204	0.035
1988	V8 5.0L		6IR4Y	3720	37204	0.035
1987	V6 3.8L		6IR4Y	3720	37204	0.035
1987	V6 4.3L		6IR4Y	3720	37204	0.035
1987	V8 5.0L		6IR4Y	3720	37204	0.035
1986	V6 3.8L		6IR4Y	3720	37204	0.035
1986	V6 4.3L		6IR4Y	3720	37204	0.035
1986	V8 5.0L		6IR5Y	3722	37224	0.035
1985	V6 3.8L		6IR4Y	3720	37204	0.035
1985	V6 4.3L		6IR4Y	3720	37204	0.035
1985	V8 5.0L	Vin G	6IR5Y	3722	37224	0.035
1985	V8 5.0L	Vin H	6IR4Y	3720	37204	0.035
1984	V6 3.8L	Vin 9	6IR4Y	3720	37204	0.035
1984	V6 3.8L	Vin A	6IR4Y	3720	37204	0.035
1984	V8 5.0L		6IR4Y	3720	37204	0.035
1983	V6 3.8L	Vin 9	6IR4Y	3720	37204	0.035
1983	V6 3.8L	Vin A	6IR4Y	3720	37204	0.035
1983	V8 5.0L	Vin H	6IR4Y	3720	37204	0.035
1982	V6 3.8L	Vin A	6IR4Y	3720	37204	0.035
1982	V6 3.8L	Vin K	6IR4Y	3720	37204	0.035
1982	V8 4.4L		6IR4Y	3720	37204	0.035
1982	V8 5.0L		6IR4Y	3720	37204	0.035
1981-80	V6 3.8L	Vin 3	6IR4Y	3720	37204	0.035
1981-80	V6 3.8L	Vin A	6IR4Y	3720	37204	0.035
1981-80	V6 3.8L	Vin K	6IR4Y	3720	37204	0.035
1981-80	V8 4.4L		6IR4Y	3720	37204	0.035
1981-80	V8 5.0L		6IR4Y	3720	37204	0.035
1979	V6 3.3L		6IR4Y	3720	37204	0.035
1979	V6 3.8L		6IR4Y	3720	37204	0.035
1979	V8 4.4L		6IR4Y	3720	37204	0.035
1979	V8 5.0L		6IR4Y	3720	37204	0.035
1978	V6 3.3L		6IR4Y	3720	37204	0.035
1978	V6 3.8L		6IR4Y	3720	37204	0.035
1978	V8 5.0L		6IR4Y	3720	37204	0.035
1977	V8 5.0L		6IR4Y	3720	37204	0.035
1977	V8 5.7L		6IR4Y	3720	37204	0.035
1976	V8 5.0L		6IR4Y	3720	37204	0.035
1976	V8 5.7L		6IR4Y	3720	37204	0.035
1976	V8 6.6L		6IR4Y	3720	37204	0.035
1975	V8 5.7L		6IR5Y	3722	37224	0.035
1975	V8 6.6L		6IR5Y	3722	37224	0.035
1975	V8 7.4L		6IR5Y	3722	37224	0.035
1974-73	V8 5.7L		6IR5	3721	37214	0.035
1974-73	V8 6.6L		6IR5	3721	37214	0.035
1974-73	V8 7.4L		6IR5	3721	37214	0.035
1972	V8 5.7L		6IR5	3721	37214	0.035
1972	V8 6.6L	400ci Engine	6IR5	3721	37214	0.035
1972	V8 6.6L	402ci Engine	6IR5	3721	37214	0.035
1972	V8 7.4L		6IR5	3721	37214	0.035
1971	V8 5.7L		6IR5	3721	37214	0.035
1971	V8 6.6L		6IR4Y	3720	37204	0.035
1971	V6 7.4L		6IR5Y	3722	37224	0.035
1970	V8 5.7L		15IR5Y	3739	37394	0.035
1970	V8 6.6L		15IR6	3740	37404	0.032
1970	V8 7.4L		6IR5	3721	37214	0.035

CPB's = Coil Plug Boots  
 \*\* Pre-gapped for optimal performance.

Make Model Year	Engine Size	Notes:	Plug Type	MSD PN Single	MSD PN 4-Pack	Pre-Gap Setting**
<b>Monza</b>						
1980	L4 2.5L		6IR4Y	3720	37204	0.035
1980	V6 3.8L		6IR4Y	3720	37204	0.035
1979	L4 2.5L		6IR4Y	3720	37204	0.035
1979	V6 3.2L		6IR4Y	3720	37204	0.035
1979	V6 3.8L		6IR4Y	3720	37204	0.035
1979	V8 5.0L		6IR4Y	3720	37204	0.035
1978	L4 2.5L		6IR5Y	3722	37224	0.035
1978	V6 3.2L		6IR4Y	3720	37204	0.035
1978	V6 3.8L		6IR4Y	3720	37204	0.035
1978	V8 5.0L		6IR4Y	3720	37204	0.035
1977	L4 2.3L		6IR5Y	3722	37224	0.035
1977	V8 5.0L		6IR4Y	3720	37204	0.035
1976	L4 2.3L		6IR5Y	3722	37224	0.035
1976	V8 4.3L		6IR4Y	3720	37204	0.035
1976	V8 5.0L		6IR4Y	3720	37204	0.035
1975	L4 2.3L		6IR4Y	3720	37204	0.035
1975	V8 4.3L		6IR5Y	3722	37224	0.035
1975	V8 5.7L		6IR5Y	3722	37224	0.035
<b>Nova</b>						
1988	L4 1.6L	CARB	11IR5Y	3733	37334	0.035
1988	L4 1.6L	FI	7IR5Y	3725	37254	0.040
1987-85	L4 1.6L		11IR5Y	3733	37334	0.035
1979-76	L6 4.1L		6IR4Y	3720	37204	0.035
1979-76	V8 5.0L		6IR4Y	3720	37204	0.035
1979-76	V8 5.7L		6IR4Y	3720	37204	0.035
1975	L6 4.1L		6IR4Y	3720	37204	0.035
1975	V8 4.3L		6IR5Y	3722	37224	0.035
1975	V8 5.7L		6IR5Y	3722	37224	0.035
1974	L6 4.1L		6IR5	3721	37214	0.035
1974	V8 5.7L		6IR5	3721	37214	0.035
1973-72	L6 4.1L		6IR5	3721	37214	0.035
1973-72	V8 5.0L		6IR5	3721	37214	0.035
1973-72	V8 5.7L		6IR5	3721	37214	0.035
1971	L6 4.1L		6IR4Y	3720	37204	0.035
1971	V8 5.0L		6IR4Y	3720	37204	0.035
1971	V8 5.7L		6IR4Y	3720	37204	0.035
1970	L4 2.5L		11IR4Y	3731	37314	0.035
1970	L6 3.8L		6IR4Y	3720	37204	0.035
1970	L6 4.1L		6IR5	3721	37214	0.035
1970	V8 5.0L		15IR5Y	3739	37394	0.035
1970	V8 5.7L		15IR4Y	3738	37384	0.035
1970	V8 6.5L		11IR5Y	3733	37334	0.035
1970	V8 6.6L		6IR5	3721	37214	0.035
1967	L4 2.5L		11IR4Y	3731	37314	0.035
1967	L6 3.2L		11IR4Y	3731	37314	0.035
1967	L6 4.1L		11IR4Y	3731	37314	0.035
1967	V8 4.6L		15IR4Y	3738	37384	0.035
1967	V8 5.3L		15IR4Y	3738	37384	0.035
1966-65	L4 2.5L		11IR4Y	3731	37314	0.035
1966-65	L6 3.2L		11IR4Y	3731	37314	0.035
1966-65	L6 3.8L		11IR4Y	3731	37314	0.035
1966-65	V8 4.6L		15IR4Y	3738	37384	0.035
1966-65	V8 5.4L		15IR4Y	3738	37384	0.035
1964	L4 2.5L		11IR4Y	3731	37314	0.035
1964	L6 3.2L		11IR4Y	3731	37314	0.035
1964	L6 3.8L		11IR4Y	3731	37314	0.035
1964	V8 4.6L		15IR4Y	3738	37384	0.035
1963-62	L4 2.5L		11IR4Y	3731	37314	0.035
1963-62	L6 3.2L		11IR4Y	3731	37314	0.035
1963-62	V8 4.6L		15IR4Y	3738	37384	0.035
<b>Optra</b>						
2007-06	L4 2.0L		7IR6Y *	3727	37274	0.043
2005-04	L4 2.0L		N/A	N/A	N/A	
<b>P10</b>						
1980	L6 4.8L		6IR5	3721	37214	0.035
1979	L6 4.8L		6IR5	3721	37214	0.035
1979	V8 5.0L	Heavy Duty	6IR5	3721	37214	0.035
1979	V8 5.0L	Light Duty	6IR4Y	3720	37204	0.035
1978	L6 4.8L		6IR5	3721	37214	0.035

\* Short Style 6 Series - PN 3741 (single), PN 37414 (4pk) - Pre-gapped 0.035  
 \* Short Style 7 Series - PN 3742 (single), PN 37424 (4pk) - Pre-gapped 0.035



**Chevrolet P10 continued**

Make Model Year	Engine Size	Notes:	Plug Type	MSD PN Single	MSD PN 4-Pack	Pre-Gap Setting**
1978	V8 5.7L		6IR4Y	3720	3720A	0.035
1977	L6 4.8L		6IR5	3721	3721A	0.035
1977	V8 5.7L	California	6IR5Y	3722	3722A	0.035
1977	V8 5.7L	Heavy Duty	6IR5	3721	3721A	0.035
1977	V8 5.7L	Light Duty	6IR4Y	3720	3720A	0.035
1977	V8 6.6L	Heavy Duty	6IR5	3721	3721A	0.035
1977	V8 6.6L	Light Duty	6IR4Y	3720	3720A	0.035
1976	L6 4.8L		6IR5	3721	3721A	0.035
1975	L6 4.8L	California	6IR5Y	3722	3722A	0.035
1975	L6 4.8L	Non-California	6IR5	3721	3721A	0.035
1975	V8 5.7L	HEI	6IR5Y	3722	3722A	0.035
1975	V8 5.7L	W/O HEI	6IR5	3721	3721A	0.035

**P10 Series**

1967	L6 3.8L		11IR4Y	3731	3731A	0.035
1967	L6 4.8L		11IR6	3734	3734A	0.032
1966	L6 3.2L		11IR4Y	3731	3731A	0.035
1966	L6 3.8L		11IR4Y	3731	3731A	0.035
1965-63	L4 2.5L		11IR4Y	3731	3731A	0.035
1965-63	L6 3.8L		11IR4Y	3731	3731A	0.035
1962	L6 3.8L		15IR6	3740	3740A	0.032
1962	V8 4.6L		15IR6	3740	3740A	0.032
1962	V8 5.3L		15IR6	3740	3740A	0.032

**P10 Van**

1974	L6 4.1L		6IR5	3721	3721A	0.035
1973	L6 4.1L		6IR5	3721	3721A	0.035
1973	V8 5.7L		6IR5	3721	3721A	0.035
1973	V8 7.4L		6IR5	3721	3721A	0.035
1972	L6 4.1L	Vin C	6IR4Y	3720	3720A	0.035
1972	L6 4.1L	Vin L	6IR5	3721	3721A	0.035
1971	L6 4.1L		6IR4Y	3720	3720A	0.035
1970	L6 4.1L		6IR5	3721	3721A	0.035
1969-68	L6 3.8L		11IR4Y	3731	3731A	0.035
1969-68	L6 4.1L		11IR4Y	3731	3731A	0.035

**P20**

1989-88	L6 4.8L		6IR5	3721	3721A	0.035
1989-88	V8 5.7L		6IR5Y	3722	3722A	0.035
1987	L6 4.8L		6IR5	3721	3721A	0.035
1987	V8 5.7L	CARB	6IR5	3721	3721A	0.035
1987	V8 5.7L	FI	6IR5Y	3722	3722A	0.035
1986-85	L6 4.8L		6IR5	3721	3721A	0.035
1986-85	V8 5.7L		6IR5	3721	3721A	0.035
1984-81	L6 4.8L		6IR5	3721	3721A	0.035
1984-81	V8 5.7L	Heavy Duty	6IR5	3721	3721A	0.035
1984-81	V8 5.7L	Light Duty	6IR4Y	3720	3720A	0.035
1980	L6 4.8L		6IR5	3721	3721A	0.035
1980	V8 5.7L	Vin M, Heavy Duty	6IR5	3721	3721A	0.035
1980	V8 5.7L	Vin M, Light Duty	6IR4Y	3720	3720A	0.035
1979	L6 4.8L		6IR5	3721	3721A	0.035
1979	V8 5.7L	Heavy Duty	6IR5	3721	3721A	0.035
1979	V8 5.7L	Light Duty	6IR4Y	3720	3720A	0.035
1979	V8 7.4L	Heavy Duty	6IR5	3721	3721A	0.035
1979	V8 7.4L	Light Duty	6IR4Y	3720	3720A	0.035
1978-77	L6 4.8L		6IR5	3721	3721A	0.035
1978-77	V8 5.7L		6IR5Y	3722	3722A	0.035
1976	L6 4.8L		6IR5	3721	3721A	0.035
1976	V8 5.7L	Heavy Duty	6IR5	3721	3721A	0.035
1976	V8 5.7L	Light Duty	6IR4Y	3720	3720A	0.035
1976	V8 7.4L		6IR5	3721	3721A	0.035
1975	L6 4.8L	California	6IR5Y	3722	3722A	0.035
1975	L6 4.8L	Non-California	6IR5	3721	3721A	0.035
1975	V8 5.7L	HEI	6IR5Y	3722	3722A	0.035
1975	V8 5.7L	W/O HEI	6IR5	3721	3721A	0.035

**P20 Series**

1967	L6 4.8L		11IR6	3734	3734A	0.032
1967	V8 6.0L		11IR6	3734	3734A	0.032
1966	L6 4.1L		11IR4Y	3731	3731A	0.035
1966	L6 4.8L		11IR6	3734	3734A	0.032
1966	V8 6.0L		11IR6	3734	3734A	0.032
1965-64	L6 3.8L		11IR4Y	3731	3731A	0.035
1965-64	L6 4.8L		11IR6	3734	3734A	0.032

Make Model Year	Engine Size	Notes:	Plug Type	MSD PN Single	MSD PN 4-Pack	Pre-Gap Setting**
1965-64	V8 5.7L		11IR6	3734	3734A	0.032
1965-64	V8 6.7L		11IR5	3732	3732A	0.032
1963	L6 3.8L		11IR4Y	3731	3731A	0.035
1962	V8 4.6L		15IR6	3740	3740A	0.032
1962	V8 5.3L		15IR6	3740	3740A	0.032
1962	V8 5.7L		11IR6	3734	3734A	0.032
1962	V8 6.7L		11IR5	3732	3732A	0.032
1961	L6 3.8L		15IR6	3740	3740A	0.032
1961	V8 4.6L		15IR6	3740	3740A	0.032
1961	V8 5.7L		11IR6	3734	3734A	0.032

**P20 Van**

1974	L6 4.1L		6IR5	3721	3721A	0.035
1974	L6 4.8L		6IR5	3721	3721A	0.035
1974	V8 5.7L		6IR5	3721	3721A	0.035
1973	L6 4.1L		6IR5	3721	3721A	0.035
1973	L6 4.8L		6IR5	3721	3721A	0.035
1973	V8 5.7L		6IR5	3721	3721A	0.035
1973	V8 7.4L		6IR5	3721	3721A	0.035
1972	L6 4.1L	Vin C	6IR4Y	3720	3720A	0.035
1972	L6 4.1L	Vin L	6IR5	3721	3721A	0.035
1972	L6 4.8L		6IR5	3721	3721A	0.035
1972	V8 5.7L		6IR5	3721	3721A	0.035
1971	L6 4.1L		6IR4Y	3720	3720A	0.035
1971	L6 4.8L		6IR5	3721	3721A	0.035
1971	V8 5.7L		6IR4Y	3720	3720A	0.035
1971	V8 7.4L		6IR4Y	3720	3720A	0.035
1970	L6 4.1L		6IR5	3721	3721A	0.035
1970	L6 4.8L		6IR5	3721	3721A	0.035
1970	V8 5.7L		15IR6	3740	3740A	0.032
1970	V8 7.4L		6IR4Y	3720	3720A	0.035
1969	L6 4.8L		11IR6	3734	3734A	0.032
1969	V8 5.0L		15IR6	3740	3740A	0.032
1968	L6 4.8L		11IR6	3734	3734A	0.032
1968	V8 5.0L		15IR5Y	3739	3739A	0.035

**P30**

1999-98	V6 4.3L		11R5L	3712	3712A	0.047
1999-98	V8 5.7L		11R4Y	3711	3711A	0.047
1999-98	V8 7.4L	Vin B	11R4Y	3711	3711A	0.047
1999-98	V8 7.4L	Vin J	11R4Y	3711	3711A	0.047
1997	V6 4.3L		11R5L	3712	3712A	0.047
1997	V8 5.7L		11R4Y	3711	3711A	0.047
1997	V8 7.4L	Vin J	11R4Y	3711	3711A	0.047
1997	V8 7.4L	Vin N	6IR5Y	3722	3722A	0.035
1996	V6 4.3L		11R5L	3712	3712A	0.047
1996	V8 5.7L	Vin K	6IR5Y	3722	3722A	0.035
1996	V8 5.7L	Vin R	11R4Y	3711	3711A	0.047
1996	V8 7.4L	Vin J	6IR5Y	3722	3722A	0.035
1996	V8 7.4L	Vin N	11R4Y	3711	3711A	0.047
1995-94	V6 4.3L		6IR5Y	3722	3722A	0.035
1995-94	V8 5.7L		6IR5Y	3722	3722A	0.035
1995-94	V8 7.4L		6IR5Y	3722	3722A	0.035
1993-90	V6 4.3L		6IR5Y	3722	3722A	0.035
1993-90	V8 5.7L		6IR5Y	3722	3722A	0.035
1993-90	V8 7.4L		6IR5Y	3722	3722A	0.035
1989	L6 4.8L		6IR5	3721	3721A	0.035
1989	V8 5.7L		6IR5Y	3722	3722A	0.035
1989	V8 7.4L		6IR5	3721	3721A	0.035
1988	L6 4.8L		6IR5	3721	3721A	0.035
1988	V8 5.7L	CARB	6IR5	3721	3721A	0.035
1988	V8 5.7L	FI	6IR5Y	3722	3722A	0.035
1988	V8 7.4L		6IR5	3721	3721A	0.035
1987	L6 4.8L		6IR5	3721	3721A	0.035
1987	V8 5.7L	CARB	6IR5	3721	3721A	0.035
1987	V8 5.7L	FI	6IR5Y	3722	3722A	0.035
1987	V8 7.4L		6IR5	3721	3721A	0.035
1986-85	L6 4.8L		6IR5	3721	3721A	0.035
1986-85	V8 5.7L		6IR5	3721	3721A	0.035
1986-85	V8 7.4L		6IR5	3721	3721A	0.035
1984-81	L6 4.8L		6IR5	3721	3721A	0.035
1984-81	V8 5.7L	Heavy Duty	6IR5	3721	3721A	0.035
1984-81	V8 5.7L	Light Duty	6IR4Y	3720	3720A	0.035





Make Model Year	Engine Size	Notes:	Plug Type	MSD PN Single	MSD PN 4-Pack	Pre-Gap Setting**
1984-81	V8 7.4L		6IR5	3721	37214	0.035
1980	L6 4.8L		6IR5	3721	37214	0.035
1980	V8 5.7L	Heavy Duty	6IR5	3721	37214	0.035
1980	V8 5.7L	Light Duty	6IR4Y	3720	37204	0.035
1980	V8 7.4L	Vin S, Heavy Duty	6IR5	3721	37214	0.035
1980	V6 7.4L	Vin S, Light Duty	6IR4Y	3720	37204	0.035
1980	V8 7.4L	Vin W	6IR5	3721	37214	0.035
1979	L6 4.1L		6IR4Y	3720	37204	0.035
1979	L6 4.8L		6IR5	3721	37214	0.035
1979	V8 5.7L	Heavy Duty	6IR5	3721	37214	0.035
1979	V8 5.7L	Light Duty	6IR4Y	3720	37204	0.035
1979	V8 7.4L	Heavy Duty	6IR5	3721	37214	0.035
1979	V8 7.4L	Light Duty	6IR4Y	3720	37204	0.035
1978	L6 4.8L		6IR5	3721	37214	0.035
1978	V8 5.7L		6IR5Y	3722	37224	0.035
1978	V8 7.4L	Heavy Duty	6IR5	3721	37214	0.035
1978	V8 7.4L	Light Duty	6IR4Y	3720	37204	0.035
1977	L6 4.8L		6IR5	3721	37214	0.035
1977	V8 5.7L		6IR5Y	3722	37224	0.035
1977	V8 7.4L		6IR5	3721	37214	0.035
1976	L6 4.1L		6IR4Y	3720	37204	0.035
1976	L6 4.8L		6IR5	3721	37214	0.035
1976	V8 5.7L	Heavy Duty	6IR5	3721	37214	0.035
1976	V8 5.7L	Light Duty	6IR4Y	3720	37204	0.035
1976	V8 6.6L	Heavy Duty	6IR5	3721	37214	0.035
1976	V8 6.6L	Light Duty	6IR4Y	3720	37204	0.035
1976	V8 7.4L		6IR5	3721	37214	0.035
1975	L6 4.8L	California	6IR5Y	3722	37224	0.035
1975	L6 4.8L	Non-California	6IR5	3721	37214	0.035
1975	V8 5.7L	HEI	6IR5Y	3722	37224	0.035
1975	V8 5.7L	W/O HEI	6IR5	3721	37214	0.035
1975	V8 7.4L		6IR5	3721	37214	0.035
<b>P30 Series</b>						
1967	L6 4.8L		11IR6	3734	37344	0.032
1967	V8 6.0L		11IR6	3734	37344	0.032
1966	L6 4.1L		11IR4Y	3731	37314	0.035
1966	L6 4.8L		11IR6	3734	37344	0.032
1966	V8 6.0L		11IR6	3734	37344	0.032
1965-64	L6 3.8L		11IR4Y	3731	37314	0.035
1965-64	L6 4.8L		11IR6	3734	37344	0.032
1965-64	V8 5.7L		11IR6	3734	37344	0.032
1965-64	V8 6.7L		11IR5	3732	37324	0.032
1963	L6 3.8L		11IR4Y	3731	37314	0.035
1962	V8 4.6L		15IR6	3740	37404	0.032
1962	V8 5.3L		15IR6	3740	37404	0.032
1962	V8 5.7L		11IR6	3734	37344	0.032
1962	V8 6.7L		11IR5	3732	37324	0.032
1961	L6 3.8L		15IR6	3740	37404	0.032
1961	V8 4.6L		15IR6	3740	37404	0.032
1961	V8 5.7L		11IR6	3734	37344	0.032
<b>P30 Van</b>						
1974-73	L6 4.1L		6IR5	3721	37214	0.035
1974-73	L6 4.8L		6IR5	3721	37214	0.035
1974-73	V8 5.7L		6IR5	3721	37214	0.035
1974-73	V8 7.4L		6IR5	3721	37214	0.035
1972	L6 4.1L	Vin C	6IR4Y	3720	37204	0.035
1972	L6 4.1L	Vin L	6IR5	3721	37214	0.035
1972	L6 4.8L		6IR5	3721	37214	0.035
1972	V8 5.7L		6IR5	3721	37214	0.035
1972	V8 6.6L		6IR5	3721	37214	0.035
1971	L6 4.1L		6IR4Y	3720	37204	0.035
1971	L6 4.8L		6IR5	3721	37214	0.035
1971	V8 5.7L		6IR4Y	3720	37204	0.035
1971	V8 7.4L		6IR4Y	3720	37204	0.035
1970	L6 4.1L		6IR5	3721	37214	0.035
1970	L6 4.8L		6IR5	3721	37214	0.035
1970	V8 5.7L		15IR6	3740	37404	0.032
1970	V8 7.4L		6IR4Y	3720	37204	0.035

Make Model Year	Engine Size	Notes:	Plug Type	MSD PN Single	MSD PN 4-Pack	Pre-Gap Setting**
1969	L6 4.8L		11IR6	3734	37344	0.032
1969	V8 5.0L		15IR6	3740	37404	0.032
1968	L6 4.8L		11IR6	3734	37344	0.032
1968	V8 5.0L		15IR5Y	3739	37394	0.035
<b>Prizm</b>						
2002	L4 1.8L		7IR5Y	3725	37254	0.040
1999-98	L4 1.8L		N/A	N/A	N/A	
<b>R10</b>						
1987	V6 4.3L		6IR5Y	3722	37224	0.035
1987	V8 5.0L		6IR5Y	3722	37224	0.035
1987	V8 5.7L		6IR5Y	3722	37224	0.035
<b>R10 Suburban</b>						
1988	V8 5.7L		6IR5Y	3722	37224	0.035
1987	V8 5.0L		6IR5Y	3722	37224	0.035
1987	V8 5.7L		6IR5Y	3722	37224	0.035
<b>R20</b>						
1988	L6 4.8L		6IR5	3721	37214	0.035
1988	V8 5.7L		6IR5Y	3722	37224	0.035
1988	V8 7.4L		6IR5Y	3722	37224	0.035
1987	L6 4.8L		6IR5	3721	37214	0.035
1987	V6 4.3L		6IR5Y	3722	37224	0.035
1987	V8 5.0L		6IR5Y	3722	37224	0.035
1987	V8 5.7L		6IR5Y	3722	37224	0.035
1987	V8 7.4L		6IR5Y	3722	37224	0.035
<b>R20 Suburban</b>						
1988-87	V8 5.7L		6IR5Y	3722	37224	0.035
1988-87	V8 7.4L		6IR5Y	3722	37224	0.035
<b>R30</b>						
1988-87	L6 4.8L		6IR5	3721	37214	0.035
1988-87	V8 5.7L	CARB	6IR5	3721	37214	0.035
1988-87	V8 5.7L	FI	6IR5Y	3722	37224	0.035
1988-87	V8 7.4L	CARB	6IR5	3721	37214	0.035
1988-87	V8 7.4L	FI	6IR5Y	3722	37224	0.035
<b>R1500 Suburban</b>						
1991-89	V8 5.7L		6IR5Y	3722	37224	0.035
<b>R2500</b>						
1989	V8 7.4L		6IR5Y	3722	37224	0.035
<b>R2500 Suburban</b>						
1991-89	V8 5.7L		6IR5Y	3722	37224	0.035
1991-89	V8 7.4L		6IR5Y	3722	37224	0.035
<b>R3500</b>						
1991-90	V8 5.7L		6IR5Y	3722	37224	0.035
1991-90	V8 7.4L		6IR5Y	3722	37224	0.035
1989	V8 5.7L		6IR5Y	3722	37224	0.035
1989	V8 7.4L	CARB	6IR5	3721	37214	0.035
1989	V8 7.4L	FI	6IR5Y	3722	37224	0.035
<b>S10</b>						
2004	V6 4.3L		N/A	N/A	N/A	
2003	L4 2.2L		1IR5Y	3713	37134	0.043
2003	V6 4.3L		1IR5L	3712	37124	0.047
2002	L4 2.2L		N/A	N/A	N/A	
2002	V6 4.3L		1IR5L	3712	37124	0.047
2001-99	L4 2.2L		1IR5Y	3713	37134	0.043
2001-99	V6 4.3L		1IR5L	3712	37124	0.047
1998	L4 2.2L		N/A	N/A	N/A	
1998	V6 4.3L		1IR5L	3712	37124	0.047
1997-96	L4 2.2L		N/A	N/A	N/A	
1997-96	V6 4.3L		1IR5L	3712	37124	0.047
1995-94	L4 2.2L		N/A	N/A	N/A	
1995-94	V6 4.3L		6IR5Y	3722	37224	0.035
1993-88	L4 2.5L		6IR5Y	3722	37224	0.035
1993-88	V6 2.8L		6IR5Y	3722	37224	0.035
1993-88	V6 4.3L		6IR5Y	3722	37224	0.035
1987-86	L4 2.5L		6IR5Y	3722	37224	0.035
1987-86	V6 2.8L		6IR5Y	3722	37224	0.035
1985	L4 1.9L		11IR5Y	3733	37334	0.035
1985	L4 2.5L		6IR5Y	3722	37224	0.035
1985	V6 2.8L		6IR5Y	3722	37224	0.035

CPB's = Coil Plug Boots  
 \*\* Pre-gapped for optimal performance.

\* Short Style 6 Series - PN 3741 (single), PN 37414 (4pk) - Pre-gapped 0.035  
 \* Short Style 7 Series - PN 3742 (single), PN 37424 (4pk) - Pre-gapped 0.035





**Chevrolet s10 continued**

Make Model Year	Engine Size	Notes:	Plug Type	MSD PN Single	MSD PN 4-Pack	Pre-Gap Setting**
1984-83	L4 1.9L		11R5Y	3733	37334	0.035
1984-83	L4 2.0L		6R5Y	3722	37224	0.035
1984-83	V6 2.8L		6R5Y	3722	37224	0.035
1982	L4 1.9L		11R5Y	3733	37334	0.035
1982	V6 2.8L		6R5Y	3722	37224	0.035

**S10 Blazer**

1994	V6 4.3L		6R5Y	3722	37224	0.035
1993-90	V6 4.3L		6R5Y	3722	37224	0.035
1989	V6 2.8L		6R5Y	3722	37224	0.035
1989	V6 4.3L		6R5Y	3722	37224	0.035
1988	L4 2.5L		6R5Y	3722	37224	0.035
1988	V6 2.8L		6R5Y	3722	37224	0.035
1988	V6 4.3L		6R5Y	3722	37224	0.035
1987-85	L4 2.5L		6R5Y	3722	37224	0.035
1987-85	V6 2.8L		6R5Y	3722	37224	0.035
1984-83	L4 1.9L		11R5Y	3733	37334	0.035
1984-83	L4 2.0L		6R5Y	3722	37224	0.035
1984-83	V6 2.8L		6R5Y	3722	37224	0.035

**Silverado 1500**

2013	V8 6.2L VIN - L9H		1R5Y	3713	37134	0.043
2013	V6 4.3L VIN - LU3		1R5L	3712	37124	0.047
2013	V8 4.8L VIN - L20		1R5Y	3713	37134	0.043
2013	V8 5.3L VIN - LMG		1R5L	3712	37124	0.047
2013	V8 5.3L VIN - LC9		1R5L	3712	37124	0.047
2013	V8 6.0L VIN - LZ1		1R5Y	3713	37134	0.043
2012	V8 6.2L VIN - L9H		1R5Y	3713	37134	0.043
2012	V6 4.3L		1R5L	3712	37124	0.047
2012	V8 4.8L VIN - L20		1R5Y	3713	37134	0.043
2012	V8 5.3L VIN - LMG		1R5L	3712	37124	0.047
2012	V8 5.3L VIN - LC9		1R5L	3712	37124	0.047
2012	V8 6.0L VIN - LZ1		1R5Y	3713	37134	0.043
2011-10	V6 4.3L		N/A	N/A	N/A	
2011-10	V8 4.8L		1R5L	3712	37124	0.047
2011-10	V8 5.3L		1R5L	3712	37124	0.047
2011-10	V8 6.0L		1R5L	3712	37124	0.047
2011-10	V8 6.2L		1R5L	3712	37124	0.047
2009	V6 4.3L		1R4Y	3711	37114	0.047
2009	V8 4.8L		1R5L	3712	37124	0.047
2009	V8 5.3L		1R5L	3712	37124	0.047
2009	V8 6.0L		1R5L	3712	37124	0.047
2009	V8 6.2L		1R5L	3712	37124	0.047
2008	V6 4.3L		1R4Y	3711	37114	0.047
2008	V8 4.8L		1R5L	3712	37124	0.047
2008	V8 5.3L		1R5L	3712	37124	0.047
2008	V8 6.0L		1R5L	3712	37124	0.047
2007	V6 4.3L		1R4Y	3711	37114	0.047
2007	V8 4.8L		1R5L	3712	37124	0.047
2007	V8 5.3L		1R5L	3712	37124	0.047
2007	V8 6.0L		1R5Y	3713	37134	0.043
2006-05	V6 4.3L		1R4Y	3711	37114	0.047
2006-05	V8 4.8L		1R5Y	3713	37134	0.043
2006-05	V8 5.3L		1R5Y	3713	37134	0.043
2006-05	V8 6.0L		1R5Y	3713	37134	0.043
2004	V6 4.3L		N/A	N/A	N/A	
2004	V8 4.8L		1R5Y	3713	37134	0.043
2004	V8 5.3L Electric/Gas		1R5L	3712	37124	0.047
2004	V8 5.3L FLEX		1R5Y	3713	37134	0.043
2004	V8 5.3L GAS		1R5Y	3713	37134	0.043
2004	V8 6.0L		1R5Y	3713	37134	0.043
2003	V6 4.3L		1R5L	3712	37124	0.047
2003	V8 4.5L		1R5Y	3713	37134	0.043
2003	V8 5.3L		1R5Y	3713	37134	0.043
2003	V8 6.0L		1R5Y	3713	37134	0.043
2002-99	V6 4.3L		1R5L	3712	37124	0.047
2002-99	V8 4.8L		1R5Y	3713	37134	0.043
2002-99	V8 5.3L		1R5Y	3713	37134	0.043

**Silverado 1500 HD**

2007	V8 6.0L		1R5L	3712	37124	0.047
2006-05	V8 6.0L		1R5Y	3713	37134	0.043
2003-01	V8 6.0L		1R5Y	3713	37134	0.043

Make Model Year	Engine Size	Notes:	Plug Type	MSD PN Single	MSD PN 4-Pack	Pre-Gap Setting**
<b>Silverado 2500</b>						
2004-03	V8 6.0L		1R5Y	3713	37134	0.043
2002	V8 5.3L		1R5L	3712	37124	0.047
2002	V8 6.0L		1R5Y	3713	37134	0.043
2001	V8 6.0L		1R5Y	3713	37134	0.043
2000-99	V8 5.3L		1R5Y	3713	37134	0.043
2000-99	V8 6.0L		1R5Y	3713	37134	0.043

**Silverado 2500 HD**

2013	V8 6.0L		1R5L	3712	37124	0.047
2013	V8 6.0L VIN - LC8		1R4Y	3711	37114	0.047
2012	V8 6.0L VIN - L96		1R5L	3712	37124	0.047
2011-08	V8 6.0L		1R5L	3712	37124	0.047
2007	V8 6.0L		1R5L	3712	37124	0.047
2007	V8 8.1L		1R5L	3712	37124	0.047
2006-05	V8 6.0L		1R5Y	3713	37134	0.043
2006-05	V8 8.1L		1R5L	3712	37124	0.047
2004	V8 6.0L		1R5Y	3713	37134	0.043
2004	V8 8.1L		1R5L	3712	37124	0.047
2003	V8 6.0L		1R5Y	3713	37134	0.043
2003	V8 8.1L		1R5L	3712	37124	0.047
2002-01	V8 6.0L		1R5Y	3713	37134	0.043
2002-01	V8 8.1L		1R5L	3712	37124	0.047

**Silverado 3500**

2007	V8 6.0L		1R5Y	3713	37134	0.043
2007	V8 8.1L		1R5L	3712	37124	0.047
2006-05	V8 6.0L		1R5Y	3713	37134	0.043
2006-05	V8 8.1L		1R5L	3712	37124	0.047
2004	V8 6.0L		1R5Y	3713	37134	0.043
2004	V8 8.1L		1R5L	3712	37124	0.047
2003	V8 6.0L		1R5Y	3713	37134	0.043
2003	V8 8.1L		1R5L	3712	37124	0.047
2002-01	V8 6.0L		1R5Y	3713	37134	0.043
2002-01	V8 8.1L		1R5L	3712	37124	0.047

**Silverado 3500 HD**

2011-08	V8 6.0L		1R5L	3712	37124	0.047
2007	V8 6.0L		1R5Y	3713	37134	0.043

**Sonic**

2013	L4 1.4L VIN - LUV		N/A	N/A	N/A	
2013	L4 1.8L VIN - LWE		N/A	N/A	N/A	
2012	L4 1.8L VIN - LUW		N/A	N/A	N/A	
2012	L4 1.4L VIN - LUV		N/A	N/A	N/A	

**Spark**

2013	L4 1.8L VIN - LUW		N/A	N/A	N/A	
------	-------------------	--	-----	-----	-----	--

**Spectrum**

1988-87	L4 1.5L Naturally Aspirated		11R5Y	3733	37334	0.035
1988-87	L4 1.5L Turbo		11R5Y	3733	37334	0.035
1986-85	L4 1.5L		11R5Y	3733	37334	0.035

**Sprint**

1991-89	L3 1.0L Naturally Aspirated		11R5Y	3733	37334	0.035
1991-89	L3 1.0L Turbo		N/A	N/A	N/A	
1988-87	L3 1.0L Naturally Aspirated		11R5Y	3733	37334	0.035
1988-87	L3 1.0L Turbo		N/A	N/A	N/A	
1986-85	L3 1.0L		11R5Y	3733	37334	0.035

**SSR**

2006-05	V8 6.0L		1R5Y	3713	37134	0.043
2004-03	V8 5.3L		1R5Y	3713	37134	0.043

**Suburban**

1967-66	L6 3.8L		11R4Y	3731	37314	0.035
1967-66	L6 4.1L		11R4Y	3731	37314	0.035
1967-66	L6 4.8L		11R6	3734	37344	0.032
1967-66	V8 4.6L		15R6	3740	37404	0.032
1967-66	V8 5.3L		11R6	3734	37344	0.032
1967-66	V8 6.0L		11R6	3734	37344	0.032
1965-64	L6 3.8L		11R4Y	3731	37314	0.035
1965-64	L6 4.8L		11R6	3734	37344	0.032
1965-64	V8 4.6L		15R6	3740	37404	0.032
1965-64	V8 5.7L		11R6	3734	37344	0.032
1965-64	V8 6.7L		11R5	3732	37324	0.032

\* Short Style 6 Series - PN 3741 (single), PN 37414 (4pk) - Pre-gapped 0.035  
 \* Short Style 7 Series - PN 3742 (single), PN 37424 (4pk) - Pre-gapped 0.035

CPB's = Coil Plug Boots  
 \*\* Pre-gapped for optimal performance.



Make Model Year	Engine Size	Notes:	Plug Type	MSD PN Single	MSD PN 4-Pack	Pre-Gap Setting**
1963	L6 3.8L		11IR4Y	3731	37314	0.035
1963	L6 4.8L		11IR6	3734	37344	0.032
1963	V8 4.6L		15IR6	3740	37404	0.032
1962	V8 4.6L		15IR6	3740	37404	0.032
1962	V8 5.3L		11IR6	3734	37344	0.032
1962	V8 5.7L		11IR6	3734	37344	0.032
1962	V8 6.7L		11IR5	3732	37324	0.032
1961	V8 4.6L		15IR6	3740	37404	0.032
1961	V8 5.7L		11IR6	3734	37344	0.032
<b>Suburban 1500</b>						
2013	V8 5.3L VIN - LC9		1IR5L	3712	37124	0.047
2013	V8 5.3L VIN - LMG		1IR5L	3712	37124	0.047
2012	V8 5.3L VIN - LC9		1IR5L	3712	37124	0.047
2012	V8 5.3L VIN - LMG		1IR5L	3712	37124	0.047
2011-10	V8 5.3L		1IR5L	3712	37124	0.047
2009-08	V8 5.3L		1IR5L	3712	37124	0.047
2009-08	V8 6.0L		1IR5L	3712	37124	0.047
2007	V8 5.3L		1IR5L	3712	37124	0.047
2007	V8 6.0L		1IR5Y	3713	37134	0.043
2006	V8 5.3L		1IR5Y	3713	37134	0.043
2006	V8 6.0L		1IR5Y	3713	37134	0.043
2005	V8 5.3L		1IR5Y	3713	37134	0.043
<b>Suburban 2500</b>						
2013	V8 6.0L VIN - L96		1IR5L	3712	37124	0.047
2012	V8 6.0L VIN - L96		1IR5L	3712	37124	0.047
2011-08	V8 6.0L		1IR5L	3712	37124	0.047
2007	V8 6.0L		1IR5L	3712	37124	0.047
2006-01	V8 6.0L		1IR5Y	3713	37134	0.043
2006-01	V8 8.1L		1IR5L	3712	37124	0.047
2000	V8 6.0L		1IR5Y	3713	37134	0.043
<b>Tahoe</b>						
2013	V8 6.0L VIN - LZ1		1IR5Y	3713	37134	0.043
2013	V8 5.3L VIN - LMG		1IR5Y	3713	37134	0.043
2012	V8 6.0L VIN - LZ1		1IR5Y	3713	37134	0.043
2012	V8 5.3L VIN - LMG		1IR5Y	3713	37134	0.043
2011-10	V8 5.3L		1IR5L	3712	37124	0.047
2011-10	V8 6.0L		1IR5L	3712	37124	0.047
2009	V8 4.8L		1IR5L	3712	37124	0.047
2009	V8 5.3L		1IR5L	3712	37124	0.047
2009	V8 6.0L		1IR5L	3712	37124	0.047
2009	V8 6.2L		1IR5L	3712	37124	0.047
2008	V8 4.8L		1IR5L	3712	37124	0.047
2008	V8 5.3L		1IR5L	3712	37124	0.047
2008	V8 6.0L		1IR5L	3712	37124	0.047
2007	V8 4.8L		1IR5L	3712	37124	0.047
2007	V8 5.3L Eng LMG		1IR5L	3712	37124	0.047
2007	V8 5.3L Eng LV5		1IR5Y	3713	37134	0.043
2006-01	V8 4.8L		1IR5Y	3713	37134	0.043
2006-01	V8 5.3L		1IR5Y	3713	37134	0.043
2000	V8 4.8L		1IR5Y	3713	37134	0.043
2000	V8 5.3L		1IR5Y	3713	37134	0.043
2000	V8 5.7L		1IR4Y	3711	37114	0.047
1999-96	V8 5.7L		1IR4Y	3711	37114	0.047
1995	V8 5.7L		6IR5Y	3722	37224	0.035
<b>Townsmen</b>						
1972	V8 5.7L		6IR5	3721	37214	0.035
1972	V8 6.6L 400ci Engine		6IR5	3721	37214	0.035
1972	V8 6.6L 402ci Engine		6IR5	3721	37214	0.035
1972	V8 7.4L		6IR5	3721	37214	0.035
1971	V8 5.7L		6IR4Y	3720	37204	0.035
1971	V8 6.6L		6IR4Y	3720	37204	0.035
1970	V8 5.7L		15IR5Y	3739	37394	0.035
1970	V8 6.6L		6IR5	3721	37214	0.035
1970	V8 7.4L		6IR4Y	3720	37204	0.035
1969	V8 5.7L		15IR5Y	3739	37394	0.035
<b>Tracker</b>						
2004	L4 2.0L 4 CPBs Req		N/A	N/A	N/A	
2004	V6 2.5L 6 CPBs Req		7IR5Y	3725	37254	0.040
2003	L4 2.0L 4 CPBs Req		7IR5Y	3725	37254	0.040
2003	V6 2.5L 6 CPBs Req		7IR5Y	3725	37254	0.040

CPB's = Coil Plug Boots  
 \*\* Pre-gapped for optimal performance.

Make Model Year	Engine Size	Notes:	Plug Type	MSD PN Single	MSD PN 4-Pack	Pre-Gap Setting**
2002-01	L4 1.6L		7IR6Y *	3727	37274	0.043
2002-01	L4 1.6L 2 CPBs Req		7IR6Y *	3727	37274	0.043
2002-01	L4 2.0L 4 CPBs Req		7IR5Y	3725	37254	0.040
2002-01	V6 2.5L 6 CPBs Req		7IR5Y	3725	37254	0.040
2000-99	L4 1.6L		7IR6Y *	3727	37274	0.043
2000-99	L4 1.6L 2 CPBs Req		7IR6Y *	3727	37274	0.043
2000-99	L4 2.0L 4 CPBs Req		7IR6Y *	3727	37274	0.043
1998	L4 1.6L		7IR6Y *	3727	37274	0.043
1991-89	L4 1.6L		N/A	N/A	N/A	
<b>Trailblazer</b>						
2009	L6 4.2L		5IR5Y	3719	37194	0.040
2009	V8 6.0L		1IR5L	3712	37124	0.047
2008	L6 4.2L		5IR5Y	3719	37194	0.040
2008	V8 5.3L		1IR5L	3712	37124	0.047
2008	V8 6.0L		1IR5L	3712	37124	0.047
2007-06	L6 4.2L		5IR5Y	3719	37194	0.040
2007-06	V8 5.3L		1IR5Y	3713	37134	0.043
2007-06	V8 6.0L		1IR5Y	3713	37134	0.043
2005-03	L6 4.2L 6 CPBs Req		5IR5Y	3719	37194	0.040
2005-03	V8 5.3L		1IR5Y	3713	37134	0.043
2002	L6 4.2L 6 CPBs Req		5IR5Y	3719	37194	0.040
<b>Traverse</b>						
2013	V6 3.6L VIN - LLT		5IR6Y	3743	37434	0.032
2012	V6 3.6L VIN - LLT		5IR5Y	3719	37194	0.040
2011	V6 3.6L		5IR5Y	3719	37194	0.040
2010-09	V6 3.6L		5IR6Y	3743	37434	0.032
<b>Uplander</b>						
2009-07	V6 3.9L		N/A	N/A	N/A	
2006	V6 3.5L		N/A	N/A	N/A	
2006	V6 3.9L		N/A	N/A	N/A	
2005	V6 3.5L		N/A	N/A	N/A	
<b>V10</b>						
1987	V6 4.3L		6IR5Y	3722	37224	0.035
1987	V8 5.0L		6IR5Y	3722	37224	0.035
1987	V8 5.7L		6IR5Y	3722	37224	0.035
<b>V10 Suburban</b>						
1988-87	V8 5.7L		6IR5Y	3722	37224	0.035
<b>V20</b>						
1987	L6 4.8L		6IR5	3721	37214	0.035
1987	V8 5.7L		6IR5Y	3722	37224	0.035
<b>V20 Suburban</b>						
1988-87	V8 5.7L		6IR5Y	3722	37224	0.035
1988-87	V8 7.4L		6IR5Y	3722	37224	0.035
<b>V30</b>						
1988	L6 4.8L		6IR5	3721	37214	0.035
1988	V8 5.7L CARB		6IR5	3721	37214	0.035
1988	V8 5.7L FI		6IR5Y	3722	37224	0.035
1988	V8 7.4L CARB		6IR5Y	3722	37224	0.035
1988	V8 7.4L FI		6IR5Y	3722	37224	0.035
1987	L6 4.8L		6IR5	3721	37214	0.035
1987	V8 5.7L CARB		6IR5	3721	37214	0.035
1987	V8 5.7L FI		6IR5Y	3722	37224	0.035
1987	V8 7.4L CARB		6IR5	3721	37214	0.035
1987	V8 7.4L FI		6IR5Y	3722	37224	0.035
<b>V1500 Suburban</b>						
1991-89	V8 5.7L		6IR5Y	3722	37224	0.035
<b>V2500 Suburban</b>						
1991	V8 5.7L		6IR5Y	3722	37224	0.035
1990	V8 5.7L		6IR5Y	3722	37224	0.035
1990	V8 7.4L		6IR5Y	3722	37224	0.035
1989	V8 5.7L		6IR5Y	3722	37224	0.035
<b>V3500</b>						
1991-90	V8 5.7L		6IR5Y	3722	37224	0.035
1991-90	V8 7.4L		6IR5Y	3722	37224	0.035
1989	V8 5.7L		6IR5Y	3722	37224	0.035
1989	V8 7.4L CARB		6IR5	3721	37214	0.035
1989	V8 7.4L FI		6IR5Y	3722	37224	0.035

\* Short Style 6 Series - PN 3741 (single), PN 37414 (4pk) - Pre-gapped 0.035  
 \* Short Style 7 Series - PN 3742 (single), PN 37424 (4pk) - Pre-gapped 0.035

Make Model Year	Engine Size	Notes:	Plug Type	MSD PN Single	MSD PN 4-Pack	Pre-Gap Setting**
<b>Vega</b>						
1977	L4 2.3L		6IR5Y	3722	37224	0.035
1976	L4 2.0L		1IR5Y	3713	37134	0.043
1976	L4 2.3L	Vin A	6IR5Y	3722	37224	0.035
1976	L4 2.3L	Vin B	6IR4Y	3720	37204	0.035
1975	L4 2.0L		1IR5Y	3713	37134	0.043
1975	L4 2.3L		6IR5Y	3722	37224	0.035
1974-71	L4 2.3L		6IR5Y	3722	37224	0.035
<b>Venture</b>						
2005-02	V6 3.4L		N/A	N/A	N/A	
2001-97	V6 3.4L		1IR4Y	3711	37114	0.047

## Chrysler

Make Model Year	Engine Size	Notes:	Plug Type	MSD PN Single	MSD PN 4-Pack	Pre-Gap Setting**
<b>200</b>						
2013	L4 2.4L	EDG	N/A	N/A	N/A	
2013	L4 2.4L	ED3	N/A	N/A	N/A	
2012	V6 3.6L	VIN - ERB	N/A	N/A	N/A	
2012	L4 2.4L	EDG	N/A	N/A	N/A	
2012	L4 2.4L	ED3	N/A	N/A	N/A	
2011	V6 3.6L	VIN - ERB	N/A	N/A	N/A	
2011	L4 2.4L	Eng EDG	N/A	N/A	N/A	
<b>300</b>						
2013	V6 2.7L		N/A	N/A	N/A	
2013	V6 3.6L	VIN - ERB	N/A	N/A	N/A	
2013	V8 5.7L	VIN - EZH	9IR5Y	3730	37304	0.040
2012	V8 6.4L	VIN - ESG	5IR5Y	3719	37194	0.040
2012	V6 3.6L	VIN - ERB	N/A	N/A	N/A	
2012	V8 5.7L	VIN - EZH	9IR5Y	3730	37304	0.040
2011	V8 6.4L	VIN - ESG	5IR5Y	3719	37194	0.040
2011	V6 3.5L		N/A	N/A	N/A	
2010	V6 2.7L		N/A	N/A	N/A	
2010	V6 3.5L		N/A	N/A	N/A	
2010	V8 5.7L		9IR5L	3729	37294	0.040
2010	V8 6.1L		5IR5Y	3719	37194	0.040
2009	V6 2.7L		N/A	N/A	N/A	
2009	V6 3.5L		N/A	N/A	N/A	
2009	V8 5.7L		9IR5L	3729	37294	0.040
2009	V8 6.1L		5IR5Y	3719	37194	0.040
2008	V6 2.7L		N/A	N/A	N/A	
2008	V6 3.5L		N/A	N/A	N/A	
2008	V8 5.7L		5IR4L	3718	37184	0.040
2008	V8 6.1L		5IR5Y	3719	37194	0.040
2007	V6 2.7L		N/A	N/A	N/A	
2007	V6 3.5L		N/A	N/A	N/A	
2007	V8 5.7L		5IR4L	3718	37184	0.040
2007	V8 6.1L		5IR5Y	3719	37194	0.040
2006	V6 2.7L		N/A	N/A	N/A	
2006	V6 3.5L		N/A	N/A	N/A	
2006	V8 5.7L		5IR4L	3718	37184	0.040
2006	V8 6.1L		5IR5Y	3719	37194	0.040
2005	V6 2.7L	6 CPBs Req	5IR5Y	3719	37194	0.040
2005	V6 3.5L	6 CPBs Req	N/A	N/A	N/A	
2005	V8 5.7L	8 CPBs Req	5IR4L	3718	37184	0.040
2005	V8 6.1L		5IR5Y	3719	37194	0.040
1971-70	V8 7.2L	Car, Vin T	15IR5Y	3739	37394	0.035
1971-70	V8 7.2L	Truck, Vin T	15IR5Y	3739	37394	0.035
1969-68	V8 7.2L	Car, Vin K	15IR5Y	3739	37394	0.035
1969-68	V8 7.2L	Car, Vin L	15IR4Y	3738	37384	0.035
1969-68	V8 7.2L	Truck, Vin K	15IR5Y	3739	37394	0.035
1969-68	V8 7.2L	Truck, Vin L	15IR4Y	3738	37384	0.035
1967	V8 7.2L	Car	15IR5Y	3739	37394	0.035
1966	V8 6.3L	Car	15IR5Y	3739	37394	0.035
1966	V8 7.2L	Car	15IR5Y	3739	37394	0.035
1965-64	V8 6.3L	Car	15IR5Y	3739	37394	0.035
1965-64	V8 6.8L	Car	15IR5Y	3739	37394	0.035
1963	V8 6.3L	Car	15IR5Y	3739	37394	0.035
1963	V8 6.8L	Car	15IR5Y	3739	37394	0.035
1963	V8 7.0L	Car	15IR5Y	3739	37394	0.035
1962	V8 6.3L	Car	15IR5Y	3739	37394	0.035
1962	V8 6.8L	Car	15IR5Y	3739	37394	0.035

Make Model Year	Engine Size	Notes:	Plug Type	MSD PN Single	MSD PN 4-Pack	Pre-Gap Setting**
1961-59	V8 6.8L	Car	15IR5Y	3739	37394	0.035
1958-57	V8 6.4L	Car	11IR4Y	3731	37314	0.035
1956	V8 5.8L	Car	11IR4Y	3731	37314	0.035
1955	V8 5.4L	Car	11IR4Y	3731	37314	0.035
<b>300M</b>						
2004-02	V6 3.5L	6 CPBs Req	N/A	N/A	N/A	
2001-99	V6 3.5L	6 CPBs Req	N/A	N/A	N/A	
<b>Aspen</b>						
2009	V8 4.7L	Exhaust	9IR5Y	3730	37304	0.040
2009	V8 4.7L	Intake	9IR5L	3729	37294	0.040
2009	V8 5.7L	Eng EZD	9IR5L	3729	37294	0.040
2009	V8 5.7L	Eng EZE	9IR5Y	3730	37304	0.040
2008	V8 4.7L	Exhaust	9IR5Y	3730	37304	0.040
2008	V8 4.7L	Intake	9IR5L	3729	37294	0.040
2008	V8 5.7L		5IR4L	3718	37184	0.040
2007	V8 4.7L		7IR6L	3726	37264	0.032
2007	V8 5.7L		5IR4L	3718	37184	0.040
<b>Cirrus</b>						
2000	L4 2.0L		7IR6Y *	3727	37274	0.043
2000	L4 2.4L		7IR4Y	3724	37244	0.040
2000	V6 2.5L		7IR5Y	3725	37254	0.040
1999-98	V6 2.5L		7IR5Y	3725	37254	0.040
1997-95	L4 2.4L		7IR4Y	3724	37244	0.040
1997-95	V6 2.5L		7IR5Y	3725	37254	0.040
<b>Concorde</b>						
2004-02	V6 2.7L	6 CPBs Req	N/A	N/A	N/A	
2004-02	V6 3.5L	6 CPBs Req	N/A	N/A	N/A	
2001-98	V6 2.7L	6 CPBs Req	N/A	N/A	N/A	
2001-98	V6 3.2L	6 CPBs Req	N/A	N/A	N/A	
1997	V6 3.5L		8IR5L	3728	37284	0.040
1996-93	V6 3.3L		11IR4Y	3731	37314	0.035
1996-93	V6 3.5L		8IR5L	3728	37284	0.040
<b>Conquest</b>						
1989	L4 2.6L		N/A	N/A	N/A	
1988-87	L4 2.6L		N/A	N/A	N/A	
<b>Cordoba</b>						
1983-80	L6 3.7L		6IR4Y	3720	37204	0.035
1983-80	V8 5.2L		11IR4Y	3731	37314	0.035
1979	V8 5.2L		11IR4Y	3731	37314	0.035
1979	V8 5.9L		11IR4Y	3731	37314	0.035
1978-77	V8 5.2L		11IR4Y	3731	37314	0.035
1978-77	V8 5.9L		11IR4Y	3731	37314	0.035
1978-77	V8 6.6L		15IR4Y	3738	37384	0.035
1976	V8 5.2L		11IR4Y	3731	37314	0.035
1976	V8 5.9L		11IR4Y	3731	37314	0.035
1976	V8 6.6L	Vin M	15IR4Y	3738	37384	0.035
1976	V8 6.6L	Vin N	15IR4Y	3738	37384	0.035
1976	V8 6.6L	Vin P	15IR5Y	3739	37394	0.035
1975	V8 5.2L	Car	11IR4Y	3731	37314	0.035
1975	V8 5.9L		11IR4Y	3731	37314	0.035
1975	V8 6.6L	Vin M	15IR4Y	3738	37384	0.035
1975	V8 6.6L	Vin N	15IR4Y	3738	37384	0.035
1975	V8 6.6L	Vin P	15IR5Y	3739	37394	0.035
<b>Crossfire</b>						
2008-07	V6 3.2L		7IR5Y	3725	37254	0.040
2006-05	V6 3.2L	Naturally Aspirated	7IR5Y	3725	37254	0.040
2006-05	V6 3.2L	Supercharged	7IR6Y *	3727	37274	0.043
2004	V6 3.2L		7IR5Y	3725	37254	0.040
<b>Daytona</b>						
1993-92	L4 2.2L		11IR4Y	3731	37314	0.035
1993-92	L4 2.5L		11IR4Y	3731	37314	0.035
1993-92	V6 3.0L		11IR5Y	3733	37334	0.035
1991	L4 2.5L		11IR4Y	3731	37314	0.035
1991	V6 3.0L		11IR5Y	3733	37334	0.035
1990	L4 2.2L	Base	11IR4Y	3731	37314	0.035
1990	L4 2.5L		11IR4Y	3731	37314	0.035
1990	V6 3.0L		11IR5Y	3733	37334	0.035
1989	L4 2.2L	Base	11IR4Y	3731	37314	0.035
1989	L4 2.5L		11IR4Y	3731	37314	0.035



Make Model Year	Engine Size	Notes:	Plug Type	MSD PN Single	MSD PN 4-Pack	Pre-Gap Setting**
1988	L4 2.2L		11R4Y	3731	37314	0.035
1988	L4 2.5L		11R4Y	3731	37314	0.035
1987	L4 2.2L	Base	11R4Y	3731	37314	0.035
1987	L4 2.2L	Pacifica	11R4Y	3731	37314	0.035
1987	L4 2.2L	Shelby Z	11R5Y	3733	37334	0.035
1987	L4 2.5L		11R4Y	3731	37314	0.035
1986-84	L4 2.2L		11R4Y	3731	37314	0.035
<b>Dynasty</b>						
1993-91	L4 2.5L		11R4Y	3731	37314	0.035
1993-91	V6 3.3L		11R4Y	3731	37314	0.035
1990	L4 2.5L		11R4Y	3731	37314	0.035
1990	V6 3.0L		11R5Y	3733	37334	0.035
1990	V6 3.3L		11R4Y	3731	37314	0.035
1989-88	L4 2.5L		11R4Y	3731	37314	0.035
1989-88	V6 3.0L		11R5Y	3733	37334	0.035
<b>E Class</b>						
1984	L4 2.2L		11R4Y	3731	37314	0.035
1984	L4 2.6L		11R5Y	3733	37334	0.035
1983	L4 2.2L		11R4Y	3731	37314	0.035
1983	L4 2.6L		11R5Y	3733	37334	0.035
<b>Executive Limousine</b>						
1985	L4 2.6L		11R5Y	3733	37334	0.035
<b>Executive Sedan</b>						
1984-83	L4 2.6L		11R5Y	3733	37334	0.035
<b>Fifth Avenue</b>						
1989-84	V8 5.2L		11R4Y	3731	37314	0.035
1983	L6 3.7L		6R4Y	3720	37204	0.035
1983	V8 5.2L		11R4Y	3731	37314	0.035
<b>Grand Voyager</b>						
2000	V6 3.0L		11R5Y	3733	37334	0.035
2000	V6 3.3L		11R4Y	3731	37314	0.035
<b>Imperial</b>						
1993-92	V6 3.8L		11R4Y	3731	37314	0.035
1991	V6 3.3L		11R4Y	3731	37314	0.035
1991	V6 3.8L		11R4Y	3731	37314	0.035
1990	V6 3.3L		11R4Y	3731	37314	0.035
1982-81	V8 5.2L		11R4Y	3731	37314	0.035
1975-69	V8 7.2L		15R4Y	3738	37384	0.035
1968	V8 7.2L	Vin K	15R4Y	3738	37384	0.035
1967-66	V8 7.2L		15R4Y	3738	37384	0.035
1965-59	V8 6.8L		15R4Y	3738	37384	0.035
1958-57	V8 6.4L		11R4Y	3731	37314	0.035
<b>Intrepid</b>						
2004-02	V6 2.7L	6 CPBs Req	N/A	N/A	N/A	
2004-02	V6 3.5L	6 CPBs Req	N/A	N/A	N/A	
2001	V6 2.7L	6 CPBs Req	N/A	N/A	N/A	
2001	V6 3.2L	6 CPBs Req	N/A	N/A	N/A	
2001	V6 3.5L	6 CPBs Req	N/A	N/A	N/A	
1999-98	V6 2.7L	6 CPBs Req	N/A	N/A	N/A	
1999-98	V6 3.2L	6 CPBs Req	N/A	N/A	N/A	
1997-93	V6 3.3L		11R4Y	3731	37314	0.035
1997-93	V6 3.5L		8R5L	3728	37284	0.040
<b>Laser</b>						
1986	L4 2.2L		11R4Y	3731	37314	0.035
1986	L4 2.5L		11R4Y	3731	37314	0.035
1985-84	L4 2.2L		11R4Y	3731	37314	0.035
<b>LeBaron</b>						
1995-94	V6 3.0L		11R5Y	3733	37334	0.035
1993-91	L4 2.5L		11R4Y	3731	37314	0.035
1993-91	V6 3.0L		11R5Y	3733	37334	0.035
1990	L4 2.2L		11R4Y	3731	37314	0.035
1990	L4 2.5L		11R4Y	3731	37314	0.035
1990	V6 3.0L		11R5Y	3733	37334	0.035
1989-86	L4 2.2L		11R4Y	3731	37314	0.035
1989-86	L4 2.5L		11R4Y	3731	37314	0.035
1985-82	L4 2.2L		11R4Y	3731	37314	0.035
1985-82	L4 2.6L		11R5Y	3733	37334	0.035
1981-80	L6 3.7L		6R4Y	3720	37204	0.035

CPB's = Coil Plug Boots  
 \*\* Pre-gapped for optimal performance.

Make Model Year	Engine Size	Notes:	Plug Type	MSD PN Single	MSD PN 4-Pack	Pre-Gap Setting**
1981-80	V8 5.2L		11R4Y	3731	37314	0.035
1979-78	L6 3.7L		6R4Y	3720	37204	0.035
1979-78	V8 5.2L		11R4Y	3731	37314	0.035
1979-78	V8 5.9L		11R4Y	3731	37314	0.035
1977	V8 5.2L		11R4Y	3731	37314	0.035
<b>LHS</b>						
2001-99	V6 3.5L	6 CPBs Req	N/A	N/A	N/A	
1997-94	V6 3.5L		8R5L	3728	37284	0.040
<b>Nassau</b>						
1955	V8 4.9L		11R4Y	3731	37314	0.035
<b>Neon</b>						
2002	L4 2.0L		7R6Y *	3727	37274	0.043
<b>Newport</b>						
1981	L6 3.7L		6R4Y	3720	37204	0.035
1981	V8 5.2L		11R4Y	3731	37314	0.035
1980-79	L6 3.7L		6R4Y	3720	37204	0.035
1980-79	V8 5.2L		11R4Y	3731	37314	0.035
1980-79	V8 5.9L		11R4Y	3731	37314	0.035
1978-74	V8 5.9L		11R4Y	3731	37314	0.035
1978-74	V8 6.6L		15R4Y	3738	37384	0.035
1978-74	V8 7.2L		15R4Y	3738	37384	0.035
1973	V8 6.6L		15R4Y	3738	37384	0.035
1973	V8 7.2L	Vin T	15R4Y	3738	37384	0.035
1972	V8 5.9L		11R4Y	3731	37314	0.035
1972	V8 6.6L		15R4Y	3738	37384	0.035
1972	V8 7.2L		15R4Y	3738	37384	0.035
1971	V8 5.9L		11R4Y	3731	37314	0.035
1971	V8 6.3L		15R4Y	3738	37384	0.035
1971	V8 7.2L		15R4Y	3738	37384	0.035
1970-67	V8 6.3L		15R4Y	3738	37384	0.035
1970-67	V8 7.2L		15R4Y	3738	37384	0.035
1966	V8 6.3L		15R5Y	3739	37394	0.035
1966	V8 7.2L		15R4Y	3738	37384	0.035
1965	V8 6.3L	Car	15R5Y	3739	37394	0.035
1963	V8 7.0L		15R4Y	3738	37384	0.035
1962	V8 6.7L		15R4Y	3738	37384	0.035
1960-59	V8 6.7L		15R4Y	3738	37384	0.035
1958-57	V8 6.4L		11R4Y	3731	37314	0.035
1956	V8 5.8L		11R4Y	3731	37314	0.035
1955	V8 4.9L		11R4Y	3731	37314	0.035
<b>New Yorker</b>						
1996-94	V6 3.5L		8R5L	3728	37284	0.040
1993-91	V6 3.3L		11R4Y	3731	37314	0.035
1993-91	V6 3.8L		11R4Y	3731	37314	0.035
1990	V6 3.3L		11R4Y	3731	37314	0.035
1989	V6 3.0L		11R5Y	3733	37334	0.035
1988	L4 2.2L		11R4Y	3731	37314	0.035
1988	V6 3.0L		11R5Y	3733	37334	0.035
1987-86	L4 2.2L		11R4Y	3731	37314	0.035
1987-86	L4 2.5L		11R4Y	3731	37314	0.035
1985-83	L4 2.2L		11R4Y	3731	37314	0.035
1985-83	L4 2.6L		11R5Y	3733	37334	0.035
1982	L6 3.7L		6R4Y	3720	37204	0.035
1982	V8 5.2L		11R4Y	3731	37314	0.035
1981	V8 5.2L		11R4Y	3731	37314	0.035
1980-79	V8 5.2L		11R4Y	3731	37314	0.035
1980-79	V8 5.9L		11R4Y	3731	37314	0.035
1978-77	V8 5.9L		11R4Y	3731	37314	0.035
1978-77	V8 6.6L		15R4Y	3738	37384	0.035
1978-77	V8 7.2L		15R4Y	3738	37384	0.035
1976-75	V8 6.6L		15R4Y	3738	37384	0.035
1976-75	V8 7.2L		15R4Y	3738	37384	0.035
1974-73	V8 7.2L	Vin T	15R5Y	3739	37394	0.035
1972	V8 7.2L		15R4Y	3738	37384	0.035
1971-70	V8 7.2L	Vin T	15R4Y	3738	37384	0.035
1969-66	V8 7.2L		15R4Y	3738	37384	0.035
1965-64	V8 6.7L		15R4Y	3738	37384	0.035
1963	V8 6.7L		15R4Y	3738	37384	0.035

\* Short Style 6 Series - PN 3741 (single), PN 37414 (4pk) - Pre-gapped 0.035  
 \* Short Style 7 Series - PN 3742 (single), PN 37424 (4pk) - Pre-gapped 0.035





**Chrysler New Yorker continued**

Make Model Year	Engine Size	Notes:	Plug Type	MSD PN Single	MSD PN 4-Pack	Pre-Gap Setting**
1963	V8 7.0L		151R4Y	3738	37384	0.035
1962-59	V8 6.7L		151R4Y	3738	37384	0.035
1958-57	V8 6.4L		111R4Y	3731	37314	0.035
1956	V8 5.8L		111R4Y	3731	37314	0.035
<b>Pacifica</b>						
2008-07	V6 3.8L		51R5Y	3719	37194	0.040
2008-07	V6 4.0L		N/A	N/A	N/A	
2006-05	V6 3.5L	6 CPBs Req	N/A	N/A	N/A	
2006-05	V6 3.8L		51R5Y	3719	37194	0.040
2004	V6 3.5L	6 CPBs Req	N/A	N/A	N/A	
<b>Prowler</b>						
2002	V6 3.5L	6 CPBs Req	N/A	N/A	N/A	
2001	V6 3.5L	6 CPBs Req	N/A	N/A	N/A	
<b>PT Cruiser</b>						
2010	L4 2.4L		51R4L	3718	37184	0.040
2009-08	L4 2.4L	Naturally Aspirated	51R4L	3718	37184	0.040
2009-08	L4 2.4L	Turbo	N/A	N/A	N/A	
2007-03	L4 2.4L	Naturally Aspirated	51R4L	3718	37184	0.040
2007-03	L4 2.4L	Turbo	N/A	N/A	N/A	
2002-01	L4 2.4L		51R4L	3718	37184	0.040
<b>Saratoga</b>						
1960-59	V8 6.3L		151R4Y	3738	37384	0.035
1958-57	V8 5.8L		151R4Y	3738	37384	0.035
<b>Sebring</b>						
2010	L4 2.4L	Eng ED3	N/A	N/A	N/A	
2010	L4 2.4L	Eng EDG	N/A	N/A	N/A	
2010	V6 2.7L		N/A	N/A	N/A	
2010	V6 3.5L		N/A	N/A	N/A	
2009	L4 2.4L	Eng ED3	N/A	N/A	N/A	
2009	L4 2.4L	Eng EDG	N/A	N/A	N/A	
2009	V6 2.7L		N/A	N/A	N/A	
2009	V6 3.5L		N/A	N/A	N/A	
2008	L4 2.4L	Vin J	N/A	N/A	N/A	
2008	L4 2.4L	Vin K	N/A	N/A	N/A	
2008	V6 2.7L		N/A	N/A	N/A	
2008	V6 3.5L		N/A	N/A	N/A	
2007	L4 2.4L		N/A	N/A	N/A	
2007	V6 2.7L		N/A	N/A	N/A	
2007	V6 3.5L		N/A	N/A	N/A	
2006	L4 2.4L		N/A	N/A	N/A	
2006	V6 2.7L		N/A	N/A	N/A	
2005	L4 2.4L	Vin G, SOHC,	71R6Y *	3727	37274	0.043
2005	L4 2.4L	Vin J, SOHC,	N/A	N/A	N/A	
2005	L4 2.4L	Vin X, SOHC,	N/A	N/A	N/A	
2005	L4 2.4L	Vin G, SOHC, 2 CPBs Req	71R6Y *	3727	37274	0.043
2005	L4 2.4L	Vin J, SOHC, 2 CPBs Req	N/A	N/A	N/A	
2005	L4 2.4L	Vin X, SOHC, 2 CPBs Req	N/A	N/A	N/A	
2005	V6 2.7L	6 CPBs Req	N/A	N/A	N/A	
2005	V6 3.0L		71R6Y *	3727	37274	0.043
2004	L4 2.4L	Vin G, SOHC,	71R6Y *	3727	37274	0.043
2004	L4 2.4L	Vin J, SOHC,	51R4L	3718	37184	0.040
2004	L4 2.4L	Vin X, SOHC,	N/A	N/A	N/A	
2004	L4 2.4L	Vin G, SOHC, 2 CPBs Req	71R6Y *	3727	37274	0.043
2004	L4 2.4L	Vin J, SOHC, 2 CPBs Req	51R4L	3718	37184	0.040
2004	L4 2.4L	Vin X, SOHC, 2 CPBs Req	N/A	N/A	N/A	
2004	V6 2.7L	6 CPBs Req	N/A	N/A	N/A	
2004	V6 3.0L		71R6Y *	3727	37274	0.043
2003-01	L4 2.4L	Vin G, SOHC,	71R6Y *	3727	37274	0.043
2003-01	L4 2.4L	Vin X, SOHC,	N/A	N/A	N/A	
2003-01	L4 2.4L	Vin G, SOHC, 2 CPBs Req	71R6Y *	3727	37274	0.043
2003-01	L4 2.4L	Vin X, SOHC, 2 CPBs Req	N/A	N/A	N/A	
2003-01	V6 2.7L	6 CPBs Req	N/A	N/A	N/A	
2003-01	V6 3.0L		71R6Y *	3727	37274	0.043
2000	V6 2.5L		71R5Y	3725	37254	0.040
1999	L4 2.0L		71R6Y *	3727	37274	0.043
1999	V6 2.5L		71R5Y	3725	37254	0.040
1998-96	L4 2.0L		71R6Y *	3727	37274	0.043

Make Model Year	Engine Size	Notes:	Plug Type	MSD PN Single	MSD PN 4-Pack	Pre-Gap Setting**
1998-96	L4 2.4L		71R4Y	3724	37244	0.040
1998-96	V6 2.5L		71R5Y	3725	37254	0.040
1995	L4 2.0L		71R6Y *	3727	37274	0.043
1995	V6 2.5L		71R5Y	3725	37254	0.040
<b>St Regis</b>						
1956	V8 5.8L		111R4Y	3731	37314	0.035
<b>TC Maserati</b>						
1991	V6 3.0L		111R5Y	3733	37334	0.035
1990	L4 2.2L		N/A	N/A	N/A	
1990	V6 3.0L		111R5Y	3733	37334	0.035
1989	L4 2.2L	Vin P	111R4Y	3731	37314	0.035
1989	L4 2.2L	Vin R	N/A	N/A	N/A	
<b>Town &amp; Country</b>						
2013	V6 3.6L	VIN - ERB	N/A	N/A	N/A	
2012	V6 3.6L	VIN - ERB	N/A	N/A	N/A	
2011	V6 3.6L	VIN - ERB	N/A	N/A	N/A	
2010-08	V6 3.3L		51R5Y	3719	37194	0.040
2010-08	V6 3.8L		51R5Y	3719	37194	0.040
2010-08	V6 4.0L		N/A	N/A	N/A	
2007-04	V6 3.3L		51R5Y	3719	37194	0.040
2007-04	V6 3.8L		51R5Y	3719	37194	0.040
2003	V6 3.3L		51R5Y	3719	37194	0.040
2003	V6 3.8L		51R5Y	3719	37194	0.040
2002	V6 3.3L	FLEX	51R5Y	3719	37194	0.040
2002	V6 3.3L	GAS	51R5Y	3719	37194	0.040
2002	V6 3.8L		51R5Y	3719	37194	0.040
2001	V6 3.3L	FLEX	N/A	N/A	N/A	
2001	V6 3.3L	GAS	N/A	N/A	N/A	
2001	V6 3.8L		51R5Y	3719	37194	0.040
2000-96	V6 3.3L		111R4Y	3731	37314	0.035
2000-96	V6 3.8L		111R4Y	3731	37314	0.035
1995	V6 3.8L		111R4Y	3731	37314	0.035
1994	V6 3.8L		111R4Y	3731	37314	0.035
1993-90	V6 3.3L		111R4Y	3731	37314	0.035
1988-86	L4 2.2L		111R4Y	3731	37314	0.035
1988-86	L4 2.5L		111R4Y	3731	37314	0.035
1985-84	L4 2.2L		111R4Y	3731	37314	0.035
1985-84	L4 2.6L		111R5Y	3733	37334	0.035
1983	L4 2.2L		111R4Y	3731	37314	0.035
1982	L4 2.2L		111R4Y	3731	37314	0.035
1982	L4 2.6L		111R5Y	3733	37334	0.035
1981-80	L6 3.7L		61R4Y	3720	37204	0.035
1981-80	V8 5.2L		111R4Y	3731	37314	0.035
1979-78	L6 3.7L		61R4Y	3720	37204	0.035
1979-78	V8 5.2L		111R4Y	3731	37314	0.035
1979-78	V8 5.9L		111R4Y	3731	37314	0.035
1977-76	V8 6.6L		151R4Y	3738	37384	0.035
1977-76	V8 7.2L		151R5Y	3739	37394	0.035
1975	V8 6.6L	Vin M	151R4Y	3738	37384	0.035
1975	V8 7.2L		151R4Y	3738	37384	0.035
1974-73	V8 7.2L		151R5Y	3739	37394	0.035
1972	V8 6.6L		151R4Y	3738	37384	0.035
1972	V8 7.2L		151R4Y	3738	37384	0.035
1971-70	V8 6.3L		151R4Y	3738	37384	0.035
1971-70	V8 7.2L		151R5Y	3739	37394	0.035
1969-68	V8 6.3L		151R4Y	3738	37384	0.035
1969-68	V8 7.2L		151R4Y	3738	37384	0.035
1967	V8 6.3L		151R4Y	3738	37384	0.035
1966-64	V8 6.3L		151R5Y	3739	37394	0.035
1963	V8 6.3L		151R5Y	3739	37394	0.035
1963	V8 6.7L		151R4Y	3738	37384	0.035
1963	V8 7.0L		151R4Y	3738	37384	0.035
1962	V8 6.3L		151R5Y	3739	37394	0.035
1962	V8 6.7L		151R4Y	3738	37384	0.035
1961-59	V8 6.3L		151R4Y	3738	37384	0.035
1961-59	V8 6.7L		151R4Y	3738	37384	0.035
1958-57	V8 5.8L		151R4Y	3738	37384	0.035
1958-57	V8 6.4L		111R4Y	3731	37314	0.035
1956	V8 5.8L		111R4Y	3731	37314	0.035
1955	V8 4.9L		111R4Y	3731	37314	0.035

\* Short Style 6 Series - PN 3741 (single), PN 37414 (4pk) - Pre-gapped 0.035  
 \* Short Style 7 Series - PN 3742 (single), PN 37424 (4pk) - Pre-gapped 0.035

CPB's = Coil Plug Boots  
 \*\* Pre-gapped for optimal performance.



Make Model Year	Engine Size	Notes:	Plug Type	MSD PN Single	MSD PN 4-Pack	Pre-Gap Setting**
<b>Voyager</b>						
2003-02	L4 2.4L		5IR4L	3718	37184	0.040
2003-02	V6 3.3L FLEX		5IR5Y	3719	37194	0.040
2003-02	V6 3.3L GAS		5IR5Y	3719	37194	0.040
2001	L4 2.4L		5IR4L	3718	37184	0.040
2001	V6 3.3L FLEX		N/A	N/A	N/A	
2001	V6 3.3L GAS		N/A	N/A	N/A	
2000	L4 2.4L		7IR4Y	3724	37244	0.040
2000	V6 3.0L		11IR5Y	3733	37334	0.035
2000	V6 3.3L		11IR4Y	3731	37314	0.035
<b>Windsor</b>						
1961-59	V8 6.3L		15IR4Y	3738	37384	0.035
1958-57	V8 5.8L		15IR4Y	3738	37384	0.035
1956	V8 5.4L		11IR4Y	3731	37314	0.035
1955	V8 4.9L		11IR4Y	3731	37314	0.035
<b>Citroen</b>						
<b>D21</b>						
1972-68	L4 2.2L		13IR6Y	3736	37364	0.032
<b>DS21</b>						
1972-68	L4 2.2L		13IR6Y	3736	37364	0.032
<b>DS21 Pallas</b>						
1972-68	L4 2.2L		13IR6Y	3736	37364	0.032
<b>D Special</b>						
1972-70	L4 2.0L		13IR6Y	3736	37364	0.032
<b>ID19</b>						
1970-68	L4 2.0L		13IR6Y	3736	37364	0.032
<b>SM</b>						
1975-74	V6 2.7L		N/A	N/A	N/A	
1975-74	V6 3.0L		11IR5Y	3733	37334	0.035
1973	V6 2.7L		N/A	N/A	N/A	
1973	V6 3.0L		11IR5Y	3733	37334	0.035
1972	V6 2.7L		N/A	N/A	N/A	
1971	V6 2.7L		N/A	N/A	N/A	
<b>Daewoo</b>						
<b>Lanos</b>						
2002-99	L4 1.5L		N/A	N/A	N/A	
2002-99	L4 1.6L		7IR6Y *	3727	37274	0.043
<b>Leganza</b>						
2002-99	L4 2.2L		7IR6Y *	3727	37274	0.043
<b>Nubira</b>						
2002-99	L4 2.0L		7IR6Y *	3727	37274	0.043
<b>Daihatsu</b>						
<b>Charade</b>						
1992-89	L3 1.0L		11IR5Y	3733	37334	0.035
1992-89	L4 1.3L		7IR6Y *	3727	37274	0.043
1988	L3 1.0L		11IR5Y	3733	37334	0.035
<b>Rocky</b>						
1992-90	L4 1.6L		7IR6Y *	3727	37274	0.043
<b>Delorean</b>						
<b>DMC-12</b>						
1983-81	V6 2.9L		1IR5Y	3713	37134	0.043
<b>Dodge</b>						
<b>330</b>						
1964	V8 4.5L		11IR4Y	3731	37314	0.035
1964	V8 5.2L		15IR4Y	3738	37384	0.035
1964	V8 5.9L		15IR4Y	3738	37384	0.035
1964	V8 6.3L		15IR4Y	3738	37384	0.035
1964	V8 7.0L		15IR4Y	3738	37384	0.035
1963	V8 5.2L		15IR4Y	3738	37384	0.035
1963	V8 6.7L		15IR4Y	3738	37384	0.035
1963	V8 7.0L		15IR4Y	3738	37384	0.035

CPB's = Coil Plug Boots  
 \*\* Pre-gapped for optimal performance.

Make Model Year	Engine Size	Notes:	Plug Type	MSD PN Single	MSD PN 4-Pack	Pre-Gap Setting**
<b>400</b>						
1983-82	L4 2.2L		11IR4Y	3731	37314	0.035
1983-82	L4 2.6L		11IR5Y	3733	37334	0.035
<b>440</b>						
1964	V8 4.5L		11IR4Y	3731	37314	0.035
1964	V8 5.2L		15IR4Y	3738	37384	0.035
1964	V8 5.9L		15IR4Y	3738	37384	0.035
1964	V8 6.3L		15IR4Y	3738	37384	0.035
1964	V8 7.0L		15IR4Y	3738	37384	0.035
1963	V8 5.2L		15IR4Y	3738	37384	0.035
1963	V8 6.7L		15IR4Y	3738	37384	0.035
1963	V8 7.0L		15IR4Y	3738	37384	0.035
<b>600</b>						
1988-86	L4 2.2L		11IR4Y	3731	37314	0.035
1988-86	L4 2.5L		11IR4Y	3731	37314	0.035
1985-83	L4 2.2L		11IR4Y	3731	37314	0.035
1985-83	L4 2.6L		11IR5Y	3733	37334	0.035
<b>880</b>						
1964	V8 4.5L		11IR4Y	3731	37314	0.035
1964	V8 5.2L		15IR4Y	3738	37384	0.035
1964	V8 5.9L		15IR4Y	3738	37384	0.035
1964	V8 6.3L		15IR4Y	3738	37384	0.035
1964	V8 7.0L		15IR4Y	3738	37384	0.035
1963	V8 5.2L		15IR4Y	3738	37384	0.035
1963	V8 5.9L		15IR4Y	3738	37384	0.035
1963	V8 6.3L		15IR4Y	3738	37384	0.035
1963	V8 6.8L		15IR4Y	3738	37384	0.035
1963	V8 7.0L		15IR4Y	3738	37384	0.035
<b>2000 GTX</b>						
1990	L4 2.0L DOHC		N/A	N/A	N/A	
1990	L4 2.0L SOHC		N/A	N/A	N/A	
1989	L4 2.0L Vin R, DOHC		N/A	N/A	N/A	
1989	L4 2.0L Vin V, SOHC		N/A	N/A	N/A	
<b>A100</b>						
1970	V8 5.2L		11IR4Y	3731	37314	0.035
1966-64	L6 2.8L		11IR4Y	3731	37314	0.035
1966-64	L6 3.7L		11IR4Y	3731	37314	0.035
1966-64	V8 4.5L		11IR4Y	3731	37314	0.035
<b>A100 Truck</b>						
1970	L6 3.2L		11IR4Y	3731	37314	0.035
1970	L6 3.7L		11IR4Y	3731	37314	0.035
1969-68	L6 2.8L		11IR4Y	3731	37314	0.035
1969-68	L6 3.7L		11IR4Y	3731	37314	0.035
1969-68	V8 5.2L		11IR4Y	3731	37314	0.035
1967	L6 2.8L		11IR4Y	3731	37314	0.035
1967	L6 3.7L		11IR4Y	3731	37314	0.035
1967	V8 4.5L		11IR4Y	3731	37314	0.035
1967	V8 5.2L		11IR4Y	3731	37314	0.035
<b>A108 Van</b>						
1970	L6 3.2L		11IR4Y	3731	37314	0.035
1970	L6 3.7L		11IR4Y	3731	37314	0.035
1969-67	L6 2.8L		11IR4Y	3731	37314	0.035
1969-67	L6 3.7L		11IR4Y	3731	37314	0.035
<b>Aries</b>						
1989-86	L4 2.2L		11IR4Y	3731	37314	0.035
1989-86	L4 2.5L		11IR4Y	3731	37314	0.035
1985-81	L4 2.2L		11IR4Y	3731	37314	0.035
1985-81	L4 2.6L		11IR5Y	3733	37334	0.035
<b>Aspen</b>						
1980-76	L6 3.7L		6IR4Y	3720	37204	0.035
1980-76	V8 5.2L		11IR4Y	3731	37314	0.035
1980-76	V8 5.9L		11IR4Y	3731	37314	0.035
<b>Avenger</b>						
2013	V6 3.6L VIN - ERB		N/A	N/A	N/A	
2013	L4 2.4L EDG		7IR5Y	3725	37254	0.040
2013	L4 2.4L ED3		7IR5Y	3725	37254	0.040
2012	V6 3.6L VIN - ERB		N/A	N/A	N/A	
2012	L4 2.4L EDG		7IR5Y	3725	37254	0.040

\* Short Style 6 Series - PN 3741 (single), PN 37414 (4pk) - Pre-gapped 0.035  
 \* Short Style 7 Series - PN 3742 (single), PN 37424 (4pk) - Pre-gapped 0.035

**D**



**Dodge Avenger continued**

Make Model Year	Engine Size	Notes:	Plug Type	MSD PN Single	MSD PN 4-Pack	Pre-Gap Setting**
2012	L4 2.4L	ED3	71R5Y	3725	37254	0.040
2011	L4 2.4L	Eng ED3	N/A	N/A	N/A	
2011	L4 2.4L	Eng EDG	N/A	N/A	N/A	
2010	L4 2.4L	Eng ED3	N/A	N/A	N/A	
2010	L4 2.4L	Eng EDG	N/A	N/A	N/A	
2010	V6 2.7L		N/A	N/A	N/A	
2010	V6 3.5L		N/A	N/A	N/A	
2009	L4 2.4L	Eng ED3	N/A	N/A	N/A	
2009	L4 2.4L	Eng EDG	N/A	N/A	N/A	
2009	V6 2.7L		N/A	N/A	N/A	
2009	V6 3.5L		N/A	N/A	N/A	
2008	L4 2.4L	Vin J	N/A	N/A	N/A	
2008	L4 2.4L	Vin K	N/A	N/A	N/A	
2008	V6 2.7L		N/A	N/A	N/A	
2008	V6 3.5L		N/A	N/A	N/A	
2000	V6 2.5L		71R5Y	3725	37254	0.040
1999-95	L4 2.0L		71R6Y *	3727	37274	0.043
1999-95	V6 2.5L		71R5Y	3725	37254	0.040
<b>B100</b>						
1980-79	L6 3.7L		61R4Y	3720	37204	0.035
1980-79	V8 5.2L		111R4Y	3731	37314	0.035
1978-76	L6 3.7L		61R4Y	3720	37204	0.035
1978-76	V8 5.2L		111R4Y	3731	37314	0.035
1978-76	V8 5.9L		111R4Y	3731	37314	0.035
1975	L6 3.7L		61R4Y	3720	37204	0.035
1975	V8 5.2L		111R4Y	3731	37314	0.035
<b>B100 Van</b>						
1974	L6 3.7L		61R4Y	3720	37204	0.035
1974	V8 5.2L		111R4Y	3731	37314	0.035
1974	V8 5.9L		111R4Y	3731	37314	0.035
1974	V8 7.2L		151R5Y	3739	37394	0.035
1973-72	L6 3.7L		111R4Y	3731	37314	0.035
1973-72	V8 5.2L		111R4Y	3731	37314	0.035
1973-72	V8 5.9L		111R4Y	3731	37314	0.035
1971	L6 3.2L		111R4Y	3731	37314	0.035
1971	L6 3.7L		111R4Y	3731	37314	0.035
1971	V8 5.2L		111R4Y	3731	37314	0.035
1971	V8 5.9L		111R4Y	3731	37314	0.035
<b>B150</b>						
1994-92	V6 3.9L		71R4Y	3724	37244	0.040
1994-92	V8 5.2L		71R4Y	3724	37244	0.040
1991-88	V6 3.9L		111R4Y	3731	37314	0.035
1991-88	V8 5.2L		111R4Y	3731	37314	0.035
1987-81	L6 3.7L		61R4Y	3720	37204	0.035
1987-81	V8 5.2L		111R4Y	3731	37314	0.035
<b>B200</b>						
1980-79	L6 3.7L		61R4Y	3720	37204	0.035
1980-79	V8 5.2L		111R4Y	3731	37314	0.035
1980-79	V8 5.9L		111R4Y	3731	37314	0.035
1978-76	L6 3.7L		61R4Y	3720	37204	0.035
1978-76	V8 5.2L		111R4Y	3731	37314	0.035
1978-76	V8 5.9L		111R4Y	3731	37314	0.035
1978-76	V8 6.6L		151R5Y	3739	37394	0.035
1978-76	V8 7.2L		151R5Y	3739	37394	0.035
1975	L6 3.7L		61R4Y	3720	37204	0.035
1975	V8 5.2L		111R4Y	3731	37314	0.035
1975	V8 5.9L		111R4Y	3731	37314	0.035
1975	V8 7.2L		151R5Y	3739	37394	0.035
<b>B200 Van</b>						
1974	L6 3.7L		61R4Y	3720	37204	0.035
1974	V8 5.2L		111R4Y	3731	37314	0.035
1974	V8 5.9L		111R4Y	3731	37314	0.035
1974	V8 6.6L		151R4Y	3738	37384	0.035
1974	V8 7.2L		151R5Y	3739	37394	0.035
1973-72	L6 3.7L		111R4Y	3731	37314	0.035
1973-72	V8 5.2L		111R4Y	3731	37314	0.035
1973-72	V8 5.9L		111R4Y	3731	37314	0.035
1971	L6 3.2L		111R4Y	3731	37314	0.035

Make Model Year	Engine Size	Notes:	Plug Type	MSD PN Single	MSD PN 4-Pack	Pre-Gap Setting**
1971	L6 3.7L		111R4Y	3731	37314	0.035
1971	V8 5.2L		111R4Y	3731	37314	0.035
1971	V8 5.9L		111R4Y	3731	37314	0.035
1971	V8 6.6L		151R4Y	3738	37384	0.035
<b>B250</b>						
1994-93	V6 3.9L		71R4Y	3724	37244	0.040
1994-93	V8 5.2L		71R4Y	3724	37244	0.040
1994-93	V8 5.9L		71R4Y	3724	37244	0.040
1992	V6 3.9L		71R4Y	3724	37244	0.040
1992	V8 5.2L		71R4Y	3724	37244	0.040
1992	V8 5.9L		111R4Y	3731	37314	0.035
1991-88	V6 3.9L		111R4Y	3731	37314	0.035
1991-88	V8 5.2L		111R4Y	3731	37314	0.035
1991-88	V8 5.9L		111R4Y	3731	37314	0.035
1987	L6 3.7L		61R4Y	3720	37204	0.035
1987	V8 5.2L		111R4Y	3731	37314	0.035
1987	V8 5.9L	Vin W	111R4Y	3731	37314	0.035
1986-84	L6 3.7L		61R4Y	3720	37204	0.035
1986-84	V8 5.2L		111R4Y	3731	37314	0.035
1986-84	V8 5.9L		111R4Y	3731	37314	0.035
1983-82	L6 3.7L		61R4Y	3720	37204	0.035
1983-82	V8 5.2L		111R4Y	3731	37314	0.035
1981	L6 3.7L		61R4Y	3720	37204	0.035
1981	V8 5.2L		111R4Y	3731	37314	0.035
1981	V8 5.9L		111R4Y	3731	37314	0.035
<b>B300</b>						
1980-79	L6 3.7L		61R4Y	3720	37204	0.035
1980-79	V8 5.2L		111R4Y	3731	37314	0.035
1980-79	V8 5.9L		111R4Y	3731	37314	0.035
1978-76	L6 3.7L		61R4Y	3720	37204	0.035
1978-76	V8 5.2L		111R4Y	3731	37314	0.035
1978-76	V8 5.9L		111R4Y	3731	37314	0.035
1978-76	V8 6.6L		151R5Y	3739	37394	0.035
1978-76	V8 7.2L		151R5Y	3739	37394	0.035
1975	L6 3.7L		61R4Y	3720	37204	0.035
1975	V8 5.2L		111R4Y	3731	37314	0.035
1975	V8 5.9L		111R4Y	3731	37314	0.035
1975	V8 7.2L		151R5Y	3739	37394	0.035
<b>B300 Van</b>						
1974	L6 3.7L	Vin B	61R4Y	3720	37204	0.035
1974	L6 3.7L	Vin C	111R4Y	3731	37314	0.035
1974	V8 5.2L		111R4Y	3731	37314	0.035
1974	V8 5.9L		111R4Y	3731	37314	0.035
1973-71	L6 3.7L		111R4Y	3731	37314	0.035
1973-71	V8 5.2L		111R4Y	3731	37314	0.035
1973-71	V8 5.9L		111R4Y	3731	37314	0.035
<b>B350</b>						
1994-93	V8 5.2L		71R4Y	3724	37244	0.040
1994-93	V8 5.9L		71R4Y	3724	37244	0.040
1992	V8 5.2L		71R4Y	3724	37244	0.040
1992	V8 5.9L		111R4Y	3731	37314	0.035
1991-81	V8 5.2L		111R4Y	3731	37314	0.035
1991-81	V8 5.9L		111R4Y	3731	37314	0.035
<b>B1500</b>						
1998	V6 3.9L		81R5L	3728	37284	0.040
1998	V8 5.2L		71R6Y *	3727	37274	0.043
1998	V8 5.9L		71R6Y *	3727	37274	0.043
1997	V6 3.9L		81R5L	3728	37284	0.040
1997	V8 5.2L		71R6Y *	3727	37274	0.043
1996-95	V6 3.9L		71R4Y	3724	37244	0.040
1996-95	V8 5.2L		71R4Y	3724	37244	0.040
<b>B2500</b>						
1998	V8 5.2L	GAS	71R6Y *	3727	37274	0.043
1998	V8 5.2L	LPG	71R6Y *	3727	37274	0.043
1998	V8 5.9L		71R6Y *	3727	37274	0.043
1997	V6 3.9L		81R5L	3728	37284	0.040
1997	V8 5.2L		71R6Y *	3727	37274	0.043

\* Short Style 6 Series - PN 3741 (single), PN 37414 (4pk) - Pre-gapped 0.035  
 \* Short Style 7 Series - PN 3742 (single), PN 37424 (4pk) - Pre-gapped 0.035

CPB's = Coil Plug Boots  
 \*\* Pre-gapped for optimal performance.



Make Model Year	Engine Size	Notes:	Plug Type	MSD PN Single	MSD PN 4-Pack	Pre-Gap Setting**
1997	V8 5.9L		71R4Y	3724	37244	0.040
1996-95	V6 3.9L		71R4Y	3724	37244	0.040
1996-95	V8 5.2L		71R4Y	3724	37244	0.040
1996-95	V8 5.9L		71R4Y	3724	37244	0.040
<b>B3500</b>						
1998	V8 5.2L	GAS	71R6Y *	3727	37274	0.043
1998	V8 5.2L	LPG	71R6Y *	3727	37274	0.043
1998	V8 5.9L		71R6Y *	3727	37274	0.043
1997	V8 5.2L	CNG	71R6Y *	3727	37274	0.043
1997	V8 5.2L	GAS	71R6Y *	3727	37274	0.043
1997	V8 5.9L		71R4Y	3724	37244	0.040
1996-95	V8 5.2L		71R4Y	3724	37244	0.040
1996-95	V8 5.9L		71R4Y	3724	37244	0.040
<b>Caliber</b>						
2012	L4 2.0L	ECN	N/A	N/A	N/A	
2011	L4 2.0L	ECN	N/A	N/A	N/A	
2011	L4 2.4L	Eng ED3	N/A	N/A	N/A	
2011	L4 2.4L	Eng EDG	N/A	N/A	N/A	
2010	L4 2.0L		N/A	N/A	N/A	
2010	L4 2.4L	Eng ED3, Nat Asp	N/A	N/A	N/A	
2010	L4 2.4L	Eng EDG, Nat Asp	N/A	N/A	N/A	
2009	L4 1.8L		N/A	N/A	N/A	
2009	L4 2.0L		N/A	N/A	N/A	
2009	L4 2.4L	Eng ED3, Nat Asp	N/A	N/A	N/A	
2009	L4 2.4L	Eng EDG, Nat Asp	N/A	N/A	N/A	
2009	L4 2.4L	Turbo	N/A	N/A	N/A	
2008	L4 1.8L		N/A	N/A	N/A	
2008	L4 2.0L		N/A	N/A	N/A	
2008	L4 2.4L	Naturally Aspirated	N/A	N/A	N/A	
2008	L4 2.4L	Turbo	N/A	N/A	N/A	
2007	L4 1.8L		N/A	N/A	N/A	
2007	L4 2.0L		N/A	N/A	N/A	
2007	L4 2.4L		N/A	N/A	N/A	
<b>Caravan</b>						
2007-02	L4 2.4L		51R4L	3718	37184	0.040
2007-02	V6 3.3L		51R5Y	3719	37194	0.040
2001	L4 2.4L		51R4L	3718	37184	0.040
2001	V6 3.3L		N/A	N/A	N/A	
2000	L4 2.4L		71R4Y	3724	37244	0.040
2000	V6 3.0L		11R5Y	3733	37334	0.035
2000	V6 3.3L		11R4Y	3731	37314	0.035
1999-98	L4 2.4L		71R4Y	3724	37244	0.040
1999-98	V6 3.0L		11R5Y	3733	37334	0.035
1999-98	V6 3.3L		11R4Y	3731	37314	0.035
1999-98	V6 3.8L		11R4Y	3731	37314	0.035
1997	L4 2.4L		71R4Y	3724	37244	0.040
1997	V6 3.0L		11R5Y	3733	37334	0.035
1997	V6 3.3L		11R4Y	3731	37314	0.035
1997	V6 3.8L		11R4Y	3731	37314	0.035
1996	L4 2.4L		71R4Y	3724	37244	0.040
1996	V6 3.0L		11R5Y	3733	37334	0.035
1996	V6 3.3L		11R4Y	3731	37314	0.035
1996	V6 3.8L		11R4Y	3731	37314	0.035
1995-91	L4 2.5L		11R4Y	3731	37314	0.035
1995-91	V6 3.0L		11R5Y	3733	37334	0.035
1995-91	V6 3.3L		11R4Y	3731	37314	0.035
1990	L4 2.5L		11R4Y	3731	37314	0.035
1990	V6 3.0L		11R5Y	3733	37334	0.035
1990	V6 3.3L		11R4Y	3731	37314	0.035
1989-88	L4 2.5L		11R4Y	3731	37314	0.035
1989-88	V6 3.0L		11R5Y	3733	37334	0.035
1987	L4 2.2L		11R4Y	3731	37314	0.035
1987	L4 2.6L		11R5Y	3733	37334	0.035
1987	V6 3.0L		11R5Y	3733	37334	0.035
1986-84	L4 2.2L		11R4Y	3731	37314	0.035
1986-84	L4 2.6L		11R5Y	3733	37334	0.035

Make Model Year	Engine Size	Notes:	Plug Type	MSD PN Single	MSD PN 4-Pack	Pre-Gap Setting**
<b>CB300</b>						
1980	V8 5.2L		11R4Y	3731	37314	0.035
1980	V8 5.9L		11R4Y	3731	37314	0.035
1979	L6 3.7L		61R4Y	3720	37204	0.035
1979	V8 5.2L		11R4Y	3731	37314	0.035
1979	V8 5.9L		11R4Y	3731	37314	0.035
1979	V8 7.2L		15R5Y	3739	37394	0.035
1978-77	L6 3.7L		61R4Y	3720	37204	0.035
1978-77	V8 5.2L		11R4Y	3731	37314	0.035
1978-77	V8 5.9L		11R4Y	3731	37314	0.035
1978-77	V8 6.6L		15R5Y	3739	37394	0.035
1978-77	V8 7.2L		15R5Y	3739	37394	0.035
1976	V8 5.2L		11R4Y	3731	37314	0.035
1976	V8 5.9L		11R4Y	3731	37314	0.035
1976	V8 6.6L		15R5Y	3739	37394	0.035
1975	L6 3.7L		61R4Y	3720	37204	0.035
1975	V8 5.2L		11R4Y	3731	37314	0.035
1975	V8 5.9L		11R4Y	3731	37314	0.035
1974	L6 3.7L		11R4Y	3731	37314	0.035
1974	V8 5.2L		11R4Y	3731	37314	0.035
1974	V8 5.9L		11R4Y	3731	37314	0.035
<b>Challenger</b>						
2013	V8 6.4L	VIN - ESG	51R5Y	3719	37194	0.040
2013	V6 3.6L	VIN - ERB	N/A	N/A	N/A	
2013	V8 5.7L	VIN - EZC	91R5Y	3730	37304	0.040
2013	V8 5.7L	VIN - EZH	91R5Y	3730	37304	0.040
2013	V8 6.4L	VIN - ESH	51R5Y	3719	37194	0.040
2012	V8 6.4L	VIN - ESG	51R5Y	3719	37194	0.040
2012	V6 3.6L	VIN - ERB	N/A	N/A	N/A	
2012	V8 5.7L	VIN - EZC	91R5Y	3730	37304	0.040
2012	V8 5.7L	VIN - EZH	91R5Y	3730	37304	0.040
2012	V8 6.4L	VIN - ESH	51R5Y	3719	37194	0.040
2011	V8 5.7L		91R5L	3729	37294	0.040
2010	V6 3.5L		N/A	N/A	N/A	
2010	V8 5.7L		91R5L	3729	37294	0.040
2010	V8 6.1L		51R5Y	3719	37194	0.040
2009	V6 3.5L		N/A	N/A	N/A	
2009	V8 5.7L		91R5L	3729	37294	0.040
2009	V8 6.1L		51R5Y	3719	37194	0.040
2008	V8 6.1L		51R5Y	3719	37194	0.040
1983-80	L4 2.6L		11R5Y	3733	37334	0.035
1979-78	L4 1.6L		N/A	N/A	N/A	
1979-78	L4 2.6L		11R5Y	3733	37334	0.035
1974	V8 5.2L		11R4Y	3731	37314	0.035
1974	V8 5.9L		11R4Y	3731	37314	0.035
1973	V8 5.2L		11R4Y	3731	37314	0.035
1973	V8 5.6L		11R4Y	3731	37314	0.035
1972	L6 3.7L		11R4Y	3731	37314	0.035
1972	V8 5.2L		11R4Y	3731	37314	0.035
1972	V8 5.6L		11R4Y	3731	37314	0.035
1971	L6 3.2L		11R4Y	3731	37314	0.035
1971	L6 3.7L		11R4Y	3731	37314	0.035
1971	V8 5.2L		11R4Y	3731	37314	0.035
1971	V8 5.6L		11R4Y	3731	37314	0.035
1971	V8 6.3L	Vin L	15R4Y	3738	37384	0.035
1971	V8 6.3L	Vin N	15R5Y	3739	37394	0.035
1971	V8 7.0L		11R4Y	3731	37314	0.035
1971	V8 7.2L		15R5Y	3739	37394	0.035
1970	L6 3.2L		11R4Y	3731	37314	0.035
1970	L6 3.7L	Vin C	11R4Y	3731	37314	0.035
1970	V8 5.2L		11R4Y	3731	37314	0.035
1970	V8 5.6L		11R4Y	3731	37314	0.035
1970	V8 6.3L	Vin L	15R4Y	3738	37384	0.035
1970	V8 6.3L	Vin N	15R5Y	3739	37394	0.035
1970	V8 7.0L		11R4Y	3731	37314	0.035
1970	V8 7.2L		15R5Y	3739	37394	0.035

CPB's = Coil Plug Boots  
 \*\* Pre-gapped for optimal performance.

\* Short Style 6 Series - PN 3741 (single), PN 37414 (4pk) - Pre-gapped 0.035  
 \* Short Style 7 Series - PN 3742 (single), PN 37424 (4pk) - Pre-gapped 0.035





# Dodge Charger

Make Model Year	Engine Size	Notes:	Plug Type	MSD PN Single	MSD PN 4-Pack	Pre-Gap Setting**
<b>Charger</b>						
2013	V8 6.4L	VIN - ESG	5IR5Y	3719	37194	0.040
2013	V6 3.6L	VIN - ERB	N/A	N/A	N/A	
2013	V8 5.7L	VIN - EZH	9IR5Y	3730	37304	0.040
2012	V8 6.4L	VIN - ESG	5IR5Y	3719	37194	0.040
2012	V6 3.6L	VIN - ERB	N/A	N/A	N/A	
2012	V8 5.7L	VIN - EZH	9IR5Y	3730	37304	0.040
2011	V8 5.7L		9IR5L	3729	37294	0.040
2010	V6 2.7L		N/A	N/A	N/A	
2010	V6 3.5L		N/A	N/A	N/A	
2010	V8 5.7L		9IR5L	3729	37294	0.040
2010	V8 6.1L		5IR5Y	3719	37194	0.040
2009	V6 2.7L		N/A	N/A	N/A	
2009	V6 3.5L		N/A	N/A	N/A	
2009	V8 5.7L		9IR5L	3729	37294	0.040
2009	V8 6.1L		5IR5Y	3719	37194	0.040
2008-07	V6 2.7L		N/A	N/A	N/A	
2008-07	V6 3.5L		N/A	N/A	N/A	
2008-07	V8 5.7L		5IR4L	3718	37184	0.040
2008-07	V8 6.1L		5IR5Y	3719	37194	0.040
2006	V6 2.7L		N/A	N/A	N/A	
2006	V6 3.5L		N/A	N/A	N/A	
2006	V8 5.7L		5IR4L	3718	37184	0.040
2006	V8 6.1L		5IR5Y	3719	37194	0.040
1987-85	L4 2.2L		11IR4Y	3731	37314	0.035
1984	L4 1.6L		11IR4Y	3731	37314	0.035
1984	L4 2.2L		11IR4Y	3731	37314	0.035
1983	L4 2.2L		11IR4Y	3731	37314	0.035
1978-77	V8 5.2L		11IR4Y	3731	37314	0.035
1978-77	V8 5.9L		11IR4Y	3731	37314	0.035
1978-77	V8 6.6L		15IR5Y	3739	37394	0.035
1976	L6 3.7L		6IR4Y	3720	37204	0.035
1976	V8 5.2L		11IR4Y	3731	37314	0.035
1976	V8 5.9L		11IR4Y	3731	37314	0.035
1976	V8 6.6L	Vin M	15IR4Y	3738	37384	0.035
1976	V8 6.6L	Vin N	15IR5Y	3739	37394	0.035
1976	V8 6.6L	Vin P	15IR5Y	3739	37394	0.035
1975	V8 5.2L		11IR4Y	3731	37314	0.035
1975	V8 5.9L		11IR4Y	3731	37314	0.035
1975	V8 6.6L	Vin M	15IR4Y	3738	37384	0.035
1975	V8 6.6L	Vin N	15IR5Y	3739	37394	0.035
1975	V8 6.6L	Vin P	15IR5Y	3739	37394	0.035
1974	L6 3.7L		11IR4Y	3731	37314	0.035
1974	V8 5.2L		11IR4Y	3731	37314	0.035
1974	V8 5.9L		11IR4Y	3731	37314	0.035
1974	V8 6.6L	Vin M	15IR4Y	3738	37384	0.035
1974	V8 6.6L	Vin N	15IR5Y	3739	37394	0.035
1974	V8 6.6L	Vin P	15IR5Y	3739	37394	0.035
1974	V8 7.2L		15IR5Y	3739	37394	0.035
1973	L6 3.7L		11IR4Y	3731	37314	0.035
1973	V8 5.2L		11IR4Y	3731	37314	0.035
1973	V8 5.6L		11IR4Y	3731	37314	0.035
1973	V8 6.6L	Vin M	15IR4Y	3738	37384	0.035
1973	V8 6.6L	Vin P	15IR5Y	3739	37394	0.035
1973	V8 7.2L		15IR5Y	3739	37394	0.035
1972	L6 3.7L		11IR4Y	3731	37314	0.035
1972	V8 5.2L		11IR4Y	3731	37314	0.035
1972	V8 5.6L		11IR4Y	3731	37314	0.035
1972	V8 6.6L	Vin M	15IR4Y	3738	37384	0.035
1972	V8 6.6L	Vin P	15IR5Y	3739	37394	0.035
1972	V8 7.2L	Vin U, H.O.	15IR5Y	3739	37394	0.035
1972	V8 7.2L	Vin V, H.O.	15IR5Y	3739	37394	0.035
1972	V8 7.2L	Vin W, w/o H.O.	11IR4Y	3731	37314	0.035
1971	L6 3.7L		11IR4Y	3731	37314	0.035
1971	V8 5.2L		11IR4Y	3731	37314	0.035
1971	V8 5.6L		15IR5Y	3739	37394	0.035
1971	V8 6.3L	Vin L	15IR4Y	3738	37384	0.035
1971	V8 6.3L	Vin N	15IR5Y	3739	37394	0.035
1971	V8 7.0L		11IR4Y	3731	37314	0.035
1971	V8 7.2L	H.O.	15IR5Y	3739	37394	0.035
1971	V8 7.2L	w/o H.O.	11IR4Y	3731	37314	0.035

Make Model Year	Engine Size	Notes:	Plug Type	MSD PN Single	MSD PN 4-Pack	Pre-Gap Setting**
1970	L6 3.7L		11IR4Y	3731	37314	0.035
1970	V8 5.2L		11IR4Y	3731	37314	0.035
1970	V8 6.3L	Vin L	15IR4Y	3738	37384	0.035
1970	V8 6.3L	Vin N	15IR5Y	3739	37394	0.035
1970	V8 7.0L		11IR4Y	3731	37314	0.035
1970	V8 7.2L	Vin T	15IR5Y	3739	37394	0.035
1970	V8 7.2L	Vin U	15IR5Y	3739	37394	0.035
1970	V8 7.2L	Vin V	11IR4Y	3731	37314	0.035
1969	L6 3.7L		11IR4Y	3731	37314	0.035
1969	V8 5.2L		11IR4Y	3731	37314	0.035
1969	V8 6.3L	Vin G	15IR4Y	3738	37384	0.035
1969	V8 6.3L	Vin H	15IR5Y	3739	37394	0.035
1969	V8 7.0L		11IR4Y	3731	37314	0.035
1969	V8 7.2L		15IR5Y	3739	37394	0.035
1968	L6 3.7L		11IR4Y	3731	37314	0.035
1968	V8 5.2L		11IR4Y	3731	37314	0.035
1968	V8 6.3L	Vin G	15IR4Y	3738	37384	0.035
1968	V8 6.3L	Vin H	15IR5Y	3739	37394	0.035
1968	V8 7.0L		11IR4Y	3731	37314	0.035
1968	V8 7.2L		15IR4Y	3738	37384	0.035
1967	V8 4.5L		11IR4Y	3731	37314	0.035
1967	V8 5.2L	3/4" Reach	11IR4Y	3731	37314	0.035
1967	V8 5.2L	3/8" Reach	15IR4Y	3738	37384	0.035
1967	V8 6.3L		15IR4Y	3738	37384	0.035
1967	V8 7.0L		11IR5Y	3733	37334	0.035
1967	V8 7.2L	Vin K	15IR4Y	3738	37384	0.035
1967	V8 7.2L	Vin L	15IR5Y	3739	37394	0.035
1966	V8 4.5L		11IR4Y	3731	37314	0.035
<b>Colt</b>						
1995	L4 1.5L		11IR5Y	3733	37334	0.035
1994-93	L4 1.5L		11IR5Y	3733	37334	0.035
1994-93	L4 1.8L		7IR5Y	3725	37254	0.040
1994-93	L4 2.4L		7IR6Y *	3727	37274	0.043
1992	L4 1.5L		11IR5Y	3733	37334	0.035
1992	L4 1.8L	Vin D	7IR6Y *	3727	37274	0.043
1991	L4 1.5L	Vin A	11IR5Y	3733	37334	0.035
1991	L4 1.5L	Vin K	11IR5Y	3733	37334	0.035
1991	L4 2.0L		N/A	N/A	N/A	
1990	L4 1.5L		N/A	N/A	N/A	
1990	L4 1.6L	Naturally Aspirated	N/A	N/A	N/A	
1990	L4 1.6L	Turbo	N/A	N/A	N/A	
1990	L4 1.8L		N/A	N/A	N/A	
1990	L4 2.0L		N/A	N/A	N/A	
1989	L4 1.5L		N/A	N/A	N/A	
1989	L4 1.6L	Vin F	N/A	N/A	N/A	
1989	L4 1.6L	Vin Y	N/A	N/A	N/A	
1989	L4 1.6L	Vin Z	N/A	N/A	N/A	
1989	L4 1.8L		N/A	N/A	N/A	
1989	L4 2.0L		N/A	N/A	N/A	
1988	L4 1.5L		N/A	N/A	N/A	
1988	L4 1.6L		N/A	N/A	N/A	
1988	L4 2.0L		N/A	N/A	N/A	
1987	L4 1.5L		N/A	N/A	N/A	
1987	L4 1.6L		N/A	N/A	N/A	
1987	L4 2.0L	From 11/1/86	N/A	N/A	N/A	
1986-85	L4 1.5L		N/A	N/A	N/A	
1986-85	L4 1.6L		N/A	N/A	N/A	
1986-85	L4 2.0L		N/A	N/A	N/A	
1984	L4 1.4L		N/A	N/A	N/A	
1984	L4 1.6L	Naturally Aspirated	N/A	N/A	N/A	
1984	L4 1.6L	Turbo	N/A	N/A	N/A	
1984	L4 2.0L		N/A	N/A	N/A	
1983-81	L4 1.4L		N/A	N/A	N/A	
1983-81	L4 1.6L		N/A	N/A	N/A	
1980-79	L4 1.4L		N/A	N/A	N/A	
1980-79	L4 1.6L		N/A	N/A	N/A	
1980-79	L4 2.6L		11IR5Y	3733	37334	0.035
1978	L4 1.6L		N/A	N/A	N/A	
1978	L4 2.6L		11IR5Y	3733	37334	0.035
1977-76	L4 1.6L		N/A	N/A	N/A	
1977-76	L4 2.0L		N/A	N/A	N/A	

\* Short Style 6 Series - PN 3741 (single), PN 37414 (4pk) - Pre-gapped 0.035  
 \* Short Style 7 Series - PN 3742 (single), PN 37424 (4pk) - Pre-gapped 0.035

CPB's = Coil Plug Boots  
 \*\* Pre-gapped for optimal performance.



Make Model Year	Engine Size	Notes:	Plug Type	MSD PN Single	MSD PN 4-Pack	Pre-Gap Setting**
1975	L4 1.6L		11R5Y	3733	37334	0.035
1975	L4 2.0L		N/A	N/A	N/A	
1974	L4 1.6L		N/A	N/A	N/A	
1974	L4 2.0L		11R5Y	3733	37334	0.035
1973-71	L4 1.6L		N/A	N/A	N/A	
<b>Conquest</b>						
1986-84	L4 2.6L		N/A	N/A	N/A	
<b>Coronet</b>						
1976-75	L6 3.7L		6IR4Y	3720	37204	0.035
1976-75	V8 5.2L		11R4Y	3731	37314	0.035
1976-75	V8 5.9L		11R4Y	3731	37314	0.035
1976-75	V8 6.6L	Vin M	15R4Y	3738	37384	0.035
1976-75	V8 6.6L	Vin N	15R4Y	3738	37384	0.035
1976-75	V8 6.6L	Vin P	15R5Y	3739	37394	0.035
1976-75	V8 7.2L		15R5Y	3739	37394	0.035
1974	L6 3.7L		11R4Y	3731	37314	0.035
1974	V8 5.2L		11R4Y	3731	37314	0.035
1974	V8 5.9L		11R4Y	3731	37314	0.035
1974	V8 6.6L	H.O.	15R5Y	3739	37394	0.035
1974	V8 6.6L	W/O H.O.	15R4Y	3738	37384	0.035
1974	V8 7.2L		15R5Y	3739	37394	0.035
1973	L6 3.7L		11R4Y	3731	37314	0.035
1973	V8 5.2L		11R4Y	3731	37314	0.035
1973	V8 5.6L		11R4Y	3731	37314	0.035
1973	V8 5.9L		11R4Y	3731	37314	0.035
1973	V8 6.6L	H.O.	15R5Y	3739	37394	0.035
1973	V8 6.6L	W/O H.O.	15R4Y	3738	37384	0.035
1973	V8 7.2L		15R5Y	3739	37394	0.035
1972	L6 3.7L	Vin C	11R4Y	3731	37314	0.035
1972	V8 5.2L		11R4Y	3731	37314	0.035
1972	V8 5.6L		11R4Y	3731	37314	0.035
1972	V8 6.6L	H.O.	15R5Y	3739	37394	0.035
1972	V8 6.6L	W/O H.O.	15R4Y	3738	37384	0.035
1972	V8 7.2L		15R5Y	3739	37394	0.035
1971	L6 3.7L	Vin C	11R4Y	3731	37314	0.035
1971	V8 5.2L		11R4Y	3731	37314	0.035
1971	V8 6.3L	Vin L	15R4Y	3738	37384	0.035
1971	V8 6.3L	Vin N	15R5Y	3739	37394	0.035
1971	V8 7.0L		11R5Y	3733	37334	0.035
1970	L6 3.7L	Vin C	11R4Y	3731	37314	0.035
1970	V8 5.2L		11R4Y	3731	37314	0.035
1970	V8 6.3L	Vin L	15R4Y	3738	37384	0.035
1970	V8 6.3L	Vin N	15R5Y	3739	37394	0.035
1970	V8 7.0L		11R5Y	3733	37334	0.035
1970	V8 7.2L	Vin T	15R4Y	3738	37384	0.035
1970	V8 7.2L	Vin U	15R5Y	3739	37394	0.035
1970	V8 7.2L	Vin V	15R5Y	3739	37394	0.035
1969	L6 3.7L		11R4Y	3731	37314	0.035
1969	V8 5.2L		11R4Y	3731	37314	0.035
1969	V8 6.3L	Vin G	15R4Y	3738	37384	0.035
1969	V8 6.3L	Vin H	15R5Y	3739	37394	0.035
1969	V8 7.0L		11R5Y	3733	37334	0.035
1969	V8 7.2L		15R5Y	3739	37394	0.035
1968	L6 3.7L		11R4Y	3731	37314	0.035
1968	V8 4.5L		11R4Y	3731	37314	0.035
1968	V8 5.2L		11R4Y	3731	37314	0.035
1968	V8 6.3L	Vin G	15R4Y	3738	37384	0.035
1968	V8 6.3L	Vin H	15R5Y	3739	37394	0.035
1968	V8 7.0L		11R5Y	3733	37334	0.035
1968	V8 7.2L		15R5Y	3739	37394	0.035
1967	L6 3.7L		11R4Y	3731	37314	0.035
1967	V8 4.5L		11R4Y	3731	37314	0.035
1967	V8 5.2L	3/4" Reach	11R4Y	3731	37314	0.035
1967	V8 5.2L	3/8" Reach	15R4Y	3738	37384	0.035
1967	V8 6.3L		15R4Y	3738	37384	0.035
1967	V8 7.0L		11R5Y	3733	37334	0.035
1967	V8 7.2L		15R5Y	3739	37394	0.035
1966	V8 4.5L		11R4Y	3731	37314	0.035
1966	V8 5.2L		15R4Y	3738	37384	0.035
1966	V8 7.0L		15R5Y	3739	37394	0.035
1965	V8 4.5L		11R4Y	3731	37314	0.035

Make Model Year	Engine Size	Notes:	Plug Type	MSD PN Single	MSD PN 4-Pack	Pre-Gap Setting**
1965	V8 5.2L		15R4Y	3738	37384	0.035
1965	V8 6.8L		15R5Y	3739	37394	0.035
1965	V8 7.0L		15R5Y	3739	37394	0.035
1959	V8 5.3L		15R4Y	3738	37384	0.035
1959	V8 5.9L		15R4Y	3738	37384	0.035
1959	V8 6.3L		15R4Y	3738	37384	0.035
1958	V8 5.3L	3/4" Reach	11R4Y	3731	37314	0.035
1958	V8 5.3L	3/8" Reach	15R4Y	3738	37384	0.035
1958	V8 5.7L	3/4" Reach	11R4Y	3731	37314	0.035
1958	V8 5.7L	3/8" Reach	15R4Y	3738	37384	0.035
1958	V8 5.9L	3/4" Reach	11R4Y	3731	37314	0.035
1958	V8 5.9L	3/8" Reach	15R4Y	3738	37384	0.035
1957	V8 5.3L	3/4" Reach	11R4Y	3731	37314	0.035
1957	V8 5.3L	3/8" Reach	15R4Y	3738	37384	0.035
1957	V8 5.8L	3/4" Reach	11R4Y	3731	37314	0.035
1957	V8 5.8L	3/8" Reach	15R4Y	3738	37384	0.035
1956	V8 4.4L		15R4Y	3738	37384	0.035
1956	V8 5.1L		15R4Y	3738	37384	0.035
1955	V8 4.4L		15R4Y	3738	37384	0.035
1954-53	V8 3.9L		15R4Y	3738	37384	0.035
1952-49	L6 3.8L		15R6	3740	37404	0.032
<b>Custom</b>						
1965	V8 4.5L	H.O.	11R5Y	3733	37334	0.035
1965	V8 4.5L	W/O H.O.	11R4Y	3731	37314	0.035
1965	V8 5.2L		15R4Y	3738	37384	0.035
1965	V8 6.3L		15R4Y	3738	37384	0.035
1965	V8 6.7L		15R5Y	3739	37394	0.035
1965	V8 7.0L		15R5Y	3739	37394	0.035
1964	V8 4.5L	H.O.	11R5Y	3733	37334	0.035
1964	V8 4.5L	W/O H.O.	11R4Y	3731	37314	0.035
1964	V8 5.2L		15R4Y	3738	37384	0.035
1964	V8 5.9L		15R4Y	3738	37384	0.035
1964	V8 6.3L		15R4Y	3738	37384	0.035
1964	V8 7.0L		15R5Y	3739	37394	0.035
1963	V8 5.2L		15R4Y	3738	37384	0.035
1963	V8 5.9L		15R4Y	3738	37384	0.035
1963	V8 6.3L		15R4Y	3738	37384	0.035
1963	V8 6.7L		15R4Y	3738	37384	0.035
1963	V8 7.0L		15R5Y	3739	37394	0.035
1962	V8 5.2L		15R4Y	3738	37384	0.035
1962	V8 5.9L		15R4Y	3738	37384	0.035
1962	V8 6.3L		15R4Y	3738	37384	0.035
1962	V8 6.7L		15R5Y	3739	37394	0.035
1961-60	V8 5.9L		15R4Y	3738	37384	0.035
1959	V8 5.3L		15R4Y	3738	37384	0.035
1959	V8 5.9L		15R4Y	3738	37384	0.035
1958	V8 5.3L	3/4" Reach	11R4Y	3731	37314	0.035
1958	V8 5.3L	3/8" Reach	15R4Y	3738	37384	0.035
1958	V8 5.7L	3/4" Reach	11R4Y	3731	37314	0.035
1958	V8 5.7L	3/8" Reach	15R4Y	3738	37384	0.035
1958	V8 5.9L	3/4" Reach	11R4Y	3731	37314	0.035
1958	V8 5.9L	3/8" Reach	15R4Y	3738	37384	0.035
1957	V8 5.3L	3/4" Reach	11R4Y	3731	37314	0.035
1957	V8 5.3L	3/8" Reach	15R4Y	3738	37384	0.035
1957	V8 5.8L	3/4" Reach	11R4Y	3731	37314	0.035
1957	V8 5.8L	3/8" Reach	15R4Y	3738	37384	0.035
1956	V8 4.4L		15R4Y	3738	37384	0.035
1956	V8 5.1L		15R4Y	3738	37384	0.035
1955	V8 4.4L		15R4Y	3738	37384	0.035
1948-46	L6 3.8L		N/A	N/A	N/A	
<b>D50</b>						
1982	L4 2.0L		N/A	N/A	N/A	
1982	L4 2.6L		11R5Y	3733	37334	0.035
1981	L4 2.0L		N/A	N/A	N/A	
1981	L4 2.6L		11R5Y	3733	37334	0.035
1980-79	L4 2.0L		N/A	N/A	N/A	
1980-79	L4 2.6L		11R5Y	3733	37334	0.035

CPB's = Coil Plug Boots  
 \*\* Pre-gapped for optimal performance.

\* Short Style 6 Series - PN 3741 (single), PN 37414 (4pk) - Pre-gapped 0.035  
 \* Short Style 7 Series - PN 3742 (single), PN 37424 (4pk) - Pre-gapped 0.035



# Dodge D100

Make Model Year	Engine Size	Notes:	Plug Type	MSD PN Single	MSD PN 4-Pack	Pre-Gap Setting**
<b>D100</b>						
1989	V6 3.9L		11IR4Y	3731	37314	0.035
1989	V8 5.2L		11IR4Y	3731	37314	0.035
1988	V6 3.9L		11IR4Y	3731	37314	0.035
1988	V8 5.2L		11IR4Y	3731	37314	0.035
1988	V8 5.9L		11IR4Y	3731	37314	0.035
1987	L6 3.7L		6IR4Y	3720	37204	0.035
1987	V8 5.2L		11IR4Y	3731	37314	0.035
1987	V8 5.9L	Vin W	11IR4Y	3731	37314	0.035
1986	L6 3.7L		6IR4Y	3720	37204	0.035
1986	V8 5.2L		11IR4Y	3731	37314	0.035
1986	V8 5.9L		11IR4Y	3731	37314	0.035
1979	L6 3.7L		6IR4Y	3720	37204	0.035
1979	V8 5.2L		11IR4Y	3731	37314	0.035
1979	V8 5.9L		11IR4Y	3731	37314	0.035
1978-76	L6 3.7L		6IR4Y	3720	37204	0.035
1978-76	V8 5.2L		11IR4Y	3731	37314	0.035
1978-76	V8 5.9L		11IR4Y	3731	37314	0.035
1978-76	V8 6.6L		15IR5Y	3739	37394	0.035
1978-76	V8 7.2L		15IR5Y	3739	37394	0.035
1975	L6 3.7L		6IR4Y	3720	37204	0.035
1975	V8 5.2L		11IR4Y	3731	37314	0.035
1975	V8 5.9L		11IR4Y	3731	37314	0.035
1975	V8 7.2L		15IR5Y	3739	37394	0.035
<b>D100 Pickup</b>						
1974-73	L6 3.7L		11IR4Y	3731	37314	0.035
1974-73	V8 5.2L		11IR4Y	3731	37314	0.035
1974-73	V8 5.9L		11IR4Y	3731	37314	0.035
1974-73	V8 6.6L		15IR4Y	3738	37384	0.035
1974-73	V8 7.2L		15IR5Y	3739	37394	0.035
1972	L6 3.7L		11IR4Y	3731	37314	0.035
1972	V8 5.2L		11IR4Y	3731	37314	0.035
1972	V8 5.9L		11IR4Y	3731	37314	0.035
1972	V8 6.6L		15IR4Y	3738	37384	0.035
1971	L6 3.2L		11IR4Y	3731	37314	0.035
1971	L6 3.7L		11IR4Y	3731	37314	0.035
1971	V8 5.2L		11IR4Y	3731	37314	0.035
1971	V8 5.9L		11IR4Y	3731	37314	0.035
1971	V8 6.3L		15IR4Y	3738	37384	0.035
1971	V8 6.6L		15IR4Y	3738	37384	0.035
1970	L6 3.2L		11IR4Y	3731	37314	0.035
1970	L6 3.7L		11IR4Y	3731	37314	0.035
1970	V8 5.2L		11IR4Y	3731	37314	0.035
1970	V8 6.3L		15IR4Y	3738	37384	0.035
1969-68	L6 3.7L		11IR4Y	3731	37314	0.035
1969-68	V8 5.2L	Heavy Duty	N/A	N/A	N/A	
1969-68	V8 5.2L	Light Duty	11IR4Y	3731	37314	0.035
1969-68	V8 6.3L		15IR4Y	3738	37384	0.035
<b>D100 Series</b>						
1967	L6 3.7L		11IR4Y	3731	37314	0.035
1967	V8 5.2L		11IR4Y	3731	37314	0.035
1967	V8 6.3L		15IR4Y	3738	37384	0.035
1966	L6 3.7L		11IR4Y	3731	37314	0.035
1966	V8 6.3L		15IR5Y	3739	37394	0.035
1965-63	L6 2.8L		11IR4Y	3731	37314	0.035
1965-63	L6 3.7L		11IR4Y	3731	37314	0.035
1965-63	V8 6.3L		15IR5Y	3739	37394	0.035
1962-61	L6 2.8L		11IR4Y	3731	37314	0.035
1962-61	L6 3.7L		11IR4Y	3731	37314	0.035
1960	L6 3.7L		11IR4Y	3731	37314	0.035
<b>D150</b>						
1993	V6 3.9L		7IR4Y	3724	37244	0.040
1993	V8 5.2L		7IR4Y	3724	37244	0.040
1993	V8 5.9L	Vin 5	N/A	N/A	N/A	
1993	V8 5.9L	Vin Z	7IR4Y	3724	37244	0.040
1992	V6 3.9L		7IR4Y	3724	37244	0.040
1992	V8 5.2L		7IR4Y	3724	37244	0.040
1992	V8 5.9L		11IR4Y	3731	37314	0.035
1991-89	V6 3.9L		11IR4Y	3731	37314	0.035
1991-89	V8 5.2L		11IR4Y	3731	37314	0.035
1991-89	V8 5.9L	Vin 5	N/A	N/A	N/A	
1991-89	V8 5.9L	Vin Z	11IR4Y	3731	37314	0.035
1988	V6 3.9L		11IR4Y	3731	37314	0.035
1988	V8 5.2L		11IR4Y	3731	37314	0.035

Make Model Year	Engine Size	Notes:	Plug Type	MSD PN Single	MSD PN 4-Pack	Pre-Gap Setting**
1987-85	V8 5.2L		11IR4Y	3731	37314	0.035
1987-85	V8 5.9L		11IR4Y	3731	37314	0.035
1984	L6 3.7L		6IR4Y	3720	37204	0.035
1984	V8 5.2L		11IR4Y	3731	37314	0.035
1984	V8 5.9L	Vin W	11IR4Y	3731	37314	0.035
1983	L6 3.7L		6IR4Y	3720	37204	0.035
1983	V8 5.2L		11IR4Y	3731	37314	0.035
1982-79	L6 3.7L		6IR4Y	3720	37204	0.035
1982-79	V8 5.2L		11IR4Y	3731	37314	0.035
1982-79	V8 5.9L		11IR4Y	3731	37314	0.035
1978	L6 3.7L		6IR4Y	3720	37204	0.035
1978	V8 5.2L		11IR4Y	3731	37314	0.035
1978	V8 5.9L		11IR4Y	3731	37314	0.035
1978	V8 6.6L		15IR5Y	3739	37394	0.035
1978	V8 7.2L		15IR5Y	3739	37394	0.035
1977	L6 3.7L		6IR4Y	3720	37204	0.035
1977	V8 5.2L		11IR4Y	3731	37314	0.035
1977	V8 5.9L		11IR4Y	3731	37314	0.035
1977	V8 6.6L		15IR5Y	3739	37394	0.035
<b>D200</b>						
1980-79	L6 3.7L		6IR4Y	3720	37204	0.035
1980-79	V8 5.2L		11IR4Y	3731	37314	0.035
1980-79	V8 5.9L		11IR4Y	3731	37314	0.035
1978-75	L6 3.7L		6IR4Y	3720	37204	0.035
1978-75	V8 5.2L		11IR4Y	3731	37314	0.035
1978-75	V8 5.9L		11IR4Y	3731	37314	0.035
1978-75	V8 6.6L		15IR5Y	3739	37394	0.035
1978-75	V8 7.2L		15IR5Y	3739	37394	0.035
<b>D200 Pickup</b>						
1974-73	L6 3.7L		11IR4Y	3731	37314	0.035
1974-73	V8 5.2L		11IR4Y	3731	37314	0.035
1974-73	V8 5.9L		11IR4Y	3731	37314	0.035
1974-73	V8 6.6L		15IR4Y	3738	37384	0.035
1974-73	V8 7.2L		15IR5Y	3739	37394	0.035
1972	L6 3.7L		11IR4Y	3731	37314	0.035
1972	V8 5.2L		11IR4Y	3731	37314	0.035
1972	V8 5.9L		11IR4Y	3731	37314	0.035
1972	V8 6.6L		15IR4Y	3738	37384	0.035
1972	L6 3.7L		11IR4Y	3731	37314	0.035
1972	V8 5.2L		11IR4Y	3731	37314	0.035
1972	V8 5.9L		11IR4Y	3731	37314	0.035
1972	V8 6.6L		15IR4Y	3738	37384	0.035
1971	L6 3.7L		11IR4Y	3731	37314	0.035
1971	V8 5.2L		11IR4Y	3731	37314	0.035
1971	V8 5.9L		11IR4Y	3731	37314	0.035
1971	V8 6.3L		15IR4Y	3738	37384	0.035
1971	V8 6.6L		15IR4Y	3738	37384	0.035
1971	V8 7.2L		15IR5Y	3739	37394	0.035
1971	V8 6.6L		15IR4Y	3738	37384	0.035
1970	L6 3.7L		11IR4Y	3731	37314	0.035
1970	V8 5.2L		11IR4Y	3731	37314	0.035
1970	V8 5.9L		11IR4Y	3731	37314	0.035
1970	V8 6.3L		15IR4Y	3738	37384	0.035
1969-68	L6 3.7L		11IR4Y	3731	37314	0.035
1969-68	V8 5.2L	Heavy Duty	N/A	N/A	N/A	
1969-68	V8 5.2L	Light Duty	11IR4Y	3731	37314	0.035
1969-68	V8 6.3L		15IR4Y	3738	37384	0.035
1969-68	V8 5.2L	Light Duty	11IR4Y	3731	37314	0.035
1969-68	V8 6.3L		15IR4Y	3738	37384	0.035
1967	L6 3.7L		11IR4Y	3731	37314	0.035
1967	V8 5.2L		11IR4Y	3731	37314	0.035
1967	V8 6.3L		15IR4Y	3738	37384	0.035
1966-63	L6 3.7L		11IR4Y	3731	37314	0.035
1966-63	V8 6.3L		15IR5Y	3739	37394	0.035
1962-60	L6 3.7L		11IR4Y	3731	37314	0.035
<b>D250</b>						
1993	V6 3.9L		7IR4Y	3724	37244	0.040
1993	V8 5.2L		7IR4Y	3724	37244	0.040
1993	V8 5.9L	Vin 5	N/A	N/A	N/A	
1993	V8 5.9L	Vin Z	7IR4Y	3724	37244	0.040
1992	V6 3.9L		7IR4Y	3724	37244	0.040
1992	V8 5.2L		7IR4Y	3724	37244	0.040
1992	V8 5.9L		11IR4Y	3731	37314	0.035
1991-89	V6 3.9L		11IR4Y	3731	37314	0.035
1991-89	V8 5.2L		11IR4Y	3731	37314	0.035
1991-89	V8 5.9L	Vin 5	N/A	N/A	N/A	
1991-89	V8 5.9L	Vin Z	11IR4Y	3731	37314	0.035
1988	V6 3.9L		11IR4Y	3731	37314	0.035
1988	V8 5.2L		11IR4Y	3731	37314	0.035

\* Short Style 6 Series - PN 3741 (single), PN 37414 (4pk) - Pre-gapped 0.035  
 \* Short Style 7 Series - PN 3742 (single), PN 37424 (4pk) - Pre-gapped 0.035

CPB's = Coil Plug Boots  
 \*\* Pre-gapped for optimal performance.





Make Model Year	Engine Size	Notes:	Plug Type	MSD PN Single	MSD PN 4-Pack	Pre-Gap Setting**
1988	V8 5.9L	Vin 1	11IR4Y	3731	37314	0.035
1988	V8 5.9L	Vin 5	N/A	N/A	N/A	
1988	V8 5.9L	Vin W	11IR4Y	3731	37314	0.035
1987	L6 3.7L		6IR4Y	3720	37204	0.035
1987	V8 5.2L		11IR4Y	3731	37314	0.035
1987	V8 5.9L	Vin 5	N/A	N/A	N/A	
1987	V8 5.9L	Vin W	11IR4Y	3731	37314	0.035
1986-84	L6 3.7L		6IR4Y	3720	37204	0.035
1986-84	V8 5.2L		11IR4Y	3731	37314	0.035
1986-84	V8 5.9L		11IR4Y	3731	37314	0.035
1983	L6 3.7L		6IR4Y	3720	37204	0.035
1983	V8 5.2L		11IR4Y	3731	37314	0.035
1982-81	L6 3.7L		6IR4Y	3720	37204	0.035
1982-81	V8 5.2L		11IR4Y	3731	37314	0.035
1982-81	V8 5.9L		11IR4Y	3731	37314	0.035
<b>D300</b>						
1980-79	V8 5.2L		11IR4Y	3731	37314	0.035
1980-79	V8 5.9L		11IR4Y	3731	37314	0.035
1978-76	L6 3.7L		6IR4Y	3720	37204	0.035
1978-76	V8 5.2L		11IR4Y	3731	37314	0.035
1978-76	V8 5.9L		11IR4Y	3731	37314	0.035
1978-76	V8 6.6L		15IR5Y	3739	37394	0.035
1978-76	V8 7.2L		15IR5Y	3739	37394	0.035
1975	L6 3.7L		6IR4Y	3720	37204	0.035
1975	V8 5.2L		11IR4Y	3731	37314	0.035
1975	V8 5.9L		11IR4Y	3731	37314	0.035
1975	V8 7.2L		15IR5Y	3739	37394	0.035
<b>D300 Pickup</b>						
1974-73	L6 3.7L		11IR4Y	3731	37314	0.035
1974-73	V8 5.2L		11IR4Y	3731	37314	0.035
1974-73	V8 5.9L		11IR4Y	3731	37314	0.035
1974-73	V8 6.6L		15IR4Y	3738	37384	0.035
1974-73	V8 7.2L		15IR5Y	3739	37394	0.035
1972	L6 3.7L		11IR4Y	3731	37314	0.035
1972	V8 5.2L		11IR4Y	3731	37314	0.035
1972	V8 5.9L		11IR4Y	3731	37314	0.035
1972	V8 6.6L		15IR4Y	3738	37384	0.035
1971	L6 3.7L		11IR4Y	3731	37314	0.035
1971	V8 5.2L		11IR4Y	3731	37314	0.035
1971	V8 5.9L		11IR4Y	3731	37314	0.035
1971	V8 6.3L		15IR4Y	3738	37384	0.035
1971	V8 6.6L		15IR4Y	3738	37384	0.035
1970	L6 3.7L		11IR4Y	3731	37314	0.035
1970	V8 5.2L		11IR4Y	3731	37314	0.035
1970	V8 6.3L		15IR4Y	3738	37384	0.035
1969-68	L6 3.7L		11IR4Y	3731	37314	0.035
1969-68	V8 5.2L	Heavy Duty	N/A	N/A	N/A	
1969-68	V8 5.2L	Light Duty	11IR4Y	3731	37314	0.035
1969-68	V8 6.3L		15IR4Y	3738	37384	0.035
1967	L6 3.7L		11IR4Y	3731	37314	0.035
1967	V8 5.2L		11IR4Y	3731	37314	0.035
1967	V8 6.3L		15IR4Y	3738	37384	0.035
1966-63	L6 3.7L		11IR4Y	3731	37314	0.035
1966-63	V8 6.3L		15IR5Y	3739	37394	0.035
1962-60	L6 3.7L		11IR4Y	3731	37314	0.035
<b>D350</b>						
1993	V8 5.9L	Vin 5	N/A	N/A	N/A	
1993	V8 5.9L	Vin Z	7IR4Y	3724	37244	0.040
1992-89	V8 5.9L	Vin 5	N/A	N/A	N/A	
1992-89	V8 5.9L	Vin Z	11IR4Y	3731	37314	0.035
1988	V8 5.9L	Vin 1	11IR4Y	3731	37314	0.035
1988	V8 5.9L	Vin 5	N/A	N/A	N/A	
1987	V8 5.9L	Vin 1	11IR4Y	3731	37314	0.035
1987	V8 5.9L	Vin 5	N/A	N/A	N/A	
1987	V8 5.9L	Vin W	11IR4Y	3731	37314	0.035
1986-84	V8 5.9L		11IR4Y	3731	37314	0.035
1983-81	V8 5.2L		11IR4Y	3731	37314	0.035
1983-81	V8 5.9L		11IR4Y	3731	37314	0.035

CPB's = Coil Plug Boots  
 \*\* Pre-gapped for optimal performance.

Make Model Year	Engine Size	Notes:	Plug Type	MSD PN Single	MSD PN 4-Pack	Pre-Gap Setting**
<b>D400</b>						
1981-79	V8 5.9L		11IR4Y	3731	37314	0.035
1978	V8 5.9L		11IR4Y	3731	37314	0.035
1978	V8 7.2L		15IR5Y	3739	37394	0.035
<b>D450</b>						
1981-79	V8 5.9L		11IR4Y	3731	37314	0.035
1978	V8 5.9L		11IR4Y	3731	37314	0.035
1978	V8 7.2L		15IR5Y	3739	37394	0.035
<b>D500</b>						
1957	V8 5.3L		11IR4Y	3731	37314	0.035
<b>D501</b>						
1957	V8 5.8L		11IR4Y	3731	37314	0.035
<b>Dakota</b>						
2010-08	V6 3.7L		7IR6L	3726	37264	0.032
2010-08	V8 4.7L	Exhaust	9IR5Y	3730	37304	0.040
2010-08	V8 4.7L	Intake	9IR5L	3729	37294	0.040
2007	V6 3.7L		7IR6L	3726	37264	0.032
2007	V8 4.7L	Vin J	7IR6Y *	3727	37274	0.043
2007	V8 4.7L	Vin N	7IR6L	3726	37264	0.032
2007	V8 4.7L	Vin P	7IR6L	3726	37264	0.032
2006-05	V6 3.7L		7IR6L	3726	37264	0.032
2006-05	V8 4.7L	Vin J	7IR6Y *	3727	37274	0.043
2006-05	V8 4.7L	Vin N	7IR6L	3726	37264	0.032
2004	V6 3.7L		7IR6L	3726	37264	0.032
2004	V8 4.7L		7IR6L	3726	37264	0.032
2003	V6 3.9L		7IR6Y *	3727	37274	0.043
2003	V8 4.7L		7IR6L	3726	37264	0.032
2003	V8 5.9L		7IR6Y *	3727	37274	0.043
2002-01	L4 2.5L		N/A	N/A	N/A	
2002-01	V6 3.9L		7IR6Y *	3727	37274	0.043
2002-01	V8 4.7L		7IR6L	3726	37264	0.032
2002-01	V8 5.9L		7IR6Y *	3727	37274	0.043
2000	L4 2.5L		N/A	N/A	N/A	
2000	V6 3.9L		8IR5L	3728	37284	0.040
2000	V8 4.7L		7IR6L	3726	37264	0.032
2000	V8 5.9L		7IR6Y *	3727	37274	0.043
1999	L4 2.5L		N/A	N/A	N/A	
1999	V6 3.9L		8IR5L	3728	37284	0.040
1999	V8 5.2L		7IR6Y *	3727	37274	0.043
1999	V8 5.9L		7IR6Y *	3727	37274	0.043
1998	L4 2.5L		8IR5L	3728	37284	0.040
1998	V6 3.9L		8IR5L	3728	37284	0.040
1998	V8 5.2L		7IR6Y *	3727	37274	0.043
1998	V8 5.9L		7IR6Y *	3727	37274	0.043
1997	L4 2.5L		8IR5L	3728	37284	0.040
1997	V6 3.9L		8IR5L	3728	37284	0.040
1997	V8 5.2L		7IR6Y *	3727	37274	0.043
1996	L4 2.5L		8IR5L	3728	37284	0.040
1996	V6 3.9L		7IR4Y	3724	37244	0.040
1996	V8 5.2L		7IR4Y	3724	37244	0.040
1995-92	L4 2.5L		11IR4Y	3731	37314	0.035
1995-92	V6 3.9L		7IR4Y	3724	37244	0.040
1995-92	V8 5.2L		7IR4Y	3724	37244	0.040
1991-89	L4 2.5L		11IR4Y	3731	37314	0.035
1991-89	V6 3.9L		11IR4Y	3731	37314	0.035
1991-89	V8 5.2L		11IR4Y	3731	37314	0.035
1988-87	L4 2.2L		11IR4Y	3731	37314	0.035
1988-87	V6 3.9L		11IR4Y	3731	37314	0.035
<b>Dart</b>						
2013	L4 2.0L	VIN - ECK	9IR5Y	3730	37304	0.040
2013	L4 2.4L	ED6	7IR6Y *	3727	37274	0.043
1976-75	L6 3.7L		6IR4Y	3720	37204	0.035
1976-75	V8 5.2L		11IR4Y	3731	37314	0.035
1976-75	V8 5.9L		11IR4Y	3731	37314	0.035
1974	L6 3.2L		11IR4Y	3731	37314	0.035
1974	L6 3.7L		11IR4Y	3731	37314	0.035
1974	V8 5.2L		11IR4Y	3731	37314	0.035
1974	V8 5.9L		11IR4Y	3731	37314	0.035

\* Short Style 6 Series - PN 3741 (single), PN 37414 (4pk) - Pre-gapped 0.035  
 \* Short Style 7 Series - PN 3742 (single), PN 37424 (4pk) - Pre-gapped 0.035



**Dodge Dart continued**

Make Model Year	Engine Size	Notes:	Plug Type	MSD PN Single	MSD PN 4-Pack	Pre-Gap Setting**
1973-72	L6 3.2L		11R4Y	3731	37314	0.035
1973-72	L6 3.7L		11R4Y	3731	37314	0.035
1973-72	V8 5.2L		11R4Y	3731	37314	0.035
1973-72	V8 5.6L		11R4Y	3731	37314	0.035
1971	L6 3.2L		11R4Y	3731	37314	0.035
1971	L6 3.7L	Vin C	11R4Y	3731	37314	0.035
1971	V8 5.2L		11R4Y	3731	37314	0.035
1971	V8 5.6L		11R4Y	3731	37314	0.035
1970	L6 3.2L		11R4Y	3731	37314	0.035
1970	L6 3.7L		11R4Y	3731	37314	0.035
1970	V8 5.2L		11R4Y	3731	37314	0.035
1970	V8 5.6L		11R4Y	3731	37314	0.035
1969	L6 2.8L		11R4Y	3731	37314	0.035
1969	L6 3.7L	Vin B	11R4Y	3731	37314	0.035
1969	V8 4.5L		11R4Y	3731	37314	0.035
1969	V8 5.2L		11R4Y	3731	37314	0.035
1969	V8 5.6L		11R4Y	3731	37314	0.035
1969	V8 6.3L		15R5Y	3739	37394	0.035
1968	L6 2.8L		11R4Y	3731	37314	0.035
1968	L6 3.7L		11R4Y	3731	37314	0.035
1968	V8 4.5L		11R4Y	3731	37314	0.035
1968	V8 5.2L		11R4Y	3731	37314	0.035
1968	V8 5.6L		11R4Y	3731	37314	0.035
1968	V8 6.3L		15R5Y	3739	37394	0.035
1967-66	L6 2.8L		11R4Y	3731	37314	0.035
1967-66	L6 3.7L		11R4Y	3731	37314	0.035
1967-66	V8 4.5L		11R4Y	3731	37314	0.035
1965	L6 2.8L		11R4Y	3731	37314	0.035
1965	L6 3.7L		11R4Y	3731	37314	0.035
1965	V8 4.5L		11R4Y	3731	37314	0.035
1965	V8 6.8L		15R5Y	3739	37394	0.035
1964	L6 2.8L		11R4Y	3731	37314	0.035
1964	L6 3.7L		11R4Y	3731	37314	0.035
1964	V8 4.5L		11R4Y	3731	37314	0.035
1963	L6 2.8L		11R4Y	3731	37314	0.035
1963	L6 3.7L		11R4Y	3731	37314	0.035
1963	V8 6.7L		15R4Y	3738	37384	0.035
1962-61	L6 2.8L		11R4Y	3731	37314	0.035
1962-61	L6 3.7L		11R4Y	3731	37314	0.035
1962-61	V8 6.8L		15R5Y	3739	37394	0.035
1960	L6 3.7L		11R4Y	3731	37314	0.035
<b>Daytona</b>						
1993-92	L4 2.2L		11R4Y	3731	37314	0.035
1993-92	L4 2.5L		11R4Y	3731	37314	0.035
1993-92	V6 3.0L		11R5Y	3733	37334	0.035
1991	L4 2.5L		11R4Y	3731	37314	0.035
1991	V6 3.0L		11R5Y	3733	37334	0.035
1990	L4 2.2L		11R4Y	3731	37314	0.035
1990	L4 2.5L		11R4Y	3731	37314	0.035
1990	V6 3.0L		11R5Y	3733	37334	0.035
1989-86	L4 2.2L		11R4Y	3731	37314	0.035
1989-86	L4 2.5L		11R4Y	3731	37314	0.035
1985-84	L4 2.2L		11R4Y	3731	37314	0.035
<b>Deluxe</b>						
1948-46	L6 3.8L		15R6	3740	37404	0.032
<b>Diplomat</b>						
1989-84	V8 5.2L		11R4Y	3731	37314	0.035
1983-80	L6 3.7L		6R4Y	3720	37204	0.035
1983-80	V8 5.2L		11R4Y	3731	37314	0.035
1979-78	L6 3.7L		6R4Y	3720	37204	0.035
1979-78	V8 5.2L		11R4Y	3731	37314	0.035
1979-78	V8 5.9L		11R4Y	3731	37314	0.035
1977	V8 5.2L		11R4Y	3731	37314	0.035
<b>Durango</b>						
2013	V8 5.7L	VIN - EZH	9R5Y	3730	37304	0.040
2013	V6 3.6L	VIN - ERB	N/A	N/A	N/A	
2012	V8 5.7L	VIN - EZH	9R5Y	3730	37304	0.040
2012	V6 3.6L	VIN - ERB	N/A	N/A	N/A	
2011	V8 5.7L		9R5L	3729	37294	0.040
2009	V6 3.7L		7R6L	3726	37264	0.032

Make Model Year	Engine Size	Notes:	Plug Type	MSD PN Single	MSD PN 4-Pack	Pre-Gap Setting**
2009	V8 4.7L	Exhaust	9R5Y	3730	37304	0.040
2009	V8 4.7L	Intake	9R5L	3729	37294	0.040
2009	V8 5.7L	Eng EZD	9R5L	3729	37294	0.040
2009	V8 5.7L	Eng EZE	9R5Y	3730	37304	0.040
2008	V6 3.7L		7R6L	3726	37264	0.032
2008	V8 4.7L	Exhaust	9R5Y	3730	37304	0.040
2008	V8 4.7L	Intake	9R5L	3729	37294	0.040
2008	V8 5.7L		5R4L	3718	37184	0.040
2007-06	V6 3.7L		7R6L	3726	37264	0.032
2007-06	V8 4.7L		7R6L	3726	37264	0.032
2007-06	V8 5.7L		5R4L	3718	37184	0.040
2005-04	V6 3.7L		7R6L	3726	37264	0.032
2005-04	V8 4.7L		7R6L	3726	37264	0.032
2005-04	V8 5.7L	8 CPBs Req	5R4L	3718	37184	0.040
2003-01	V8 4.7L		7R6L	3726	37264	0.032
2003-01	V8 5.9L		7R6Y *	3727	37274	0.043
2000	V8 4.7L		7R6L	3726	37264	0.032
2000	V8 5.2L		7R6Y *	3727	37274	0.043
2000	V8 5.9L		7R6Y *	3727	37274	0.043
1999-98	V6 3.9L		8R5L	3728	37284	0.040
1999-98	V8 5.2L		7R6Y *	3727	37274	0.043
1999-98	V8 5.9L		7R6Y *	3727	37274	0.043
<b>Dynasty</b>						
1993-90	L4 2.5L		11R4Y	3731	37314	0.035
1993-90	V6 3.0L		11R5Y	3733	37334	0.035
1993-90	V6 3.3L		11R4Y	3731	37314	0.035
1989-88	L4 2.5L		11R4Y	3731	37314	0.035
1989-88	V6 3.0L		11R5Y	3733	37334	0.035
<b>Grand Caravan</b>						
2013	V6 3.6L	VIN - ERB	N/A	N/A	N/A	
2012	V6 3.6L	VIN - ERB	N/A	N/A	N/A	
2011	V6 3.6L	VIN - ERB	N/A	N/A	N/A	
2010-08	V6 3.3L		5R5Y	3719	37194	0.040
2010-08	V6 3.8L		5R5Y	3719	37194	0.040
2010-08	V6 4.0L		N/A	N/A	N/A	
2007-02	V6 3.3L		5R5Y	3719	37194	0.040
2007-02	V6 3.8L		5R5Y	3719	37194	0.040
2001	V6 3.3L		N/A	N/A	N/A	
2001	V6 3.8L		5R5Y	3719	37194	0.040
2000-98	V6 3.0L		11R5Y	3733	37334	0.035
2000-98	V6 3.3L		11R4Y	3731	37314	0.035
2000-98	V6 3.8L		11R4Y	3731	37314	0.035
1997	L4 2.4L		7R4Y	3724	37244	0.040
1997	V6 3.0L		11R5Y	3733	37334	0.035
1997	V6 3.3L		11R4Y	3731	37314	0.035
1997	V6 3.8L		11R4Y	3731	37314	0.035
1996	L4 2.4L		7R4Y	3724	37244	0.040
1996	V6 3.0L		11R5Y	3733	37334	0.035
1996	V6 3.3L		11R4Y	3731	37314	0.035
1996	V6 3.8L		11R4Y	3731	37314	0.035
1995	V6 3.0L		11R5Y	3733	37334	0.035
1995	V6 3.3L		11R4Y	3731	37314	0.035
1995	V6 3.8L		11R4Y	3731	37314	0.035
1994	V6 3.0L		11R5Y	3733	37334	0.035
1994	V6 3.3L		11R4Y	3731	37314	0.035
1994	V6 3.8L		11R4Y	3731	37314	0.035
1993-92	V6 3.0L		11R5Y	3733	37334	0.035
1993-92	V6 3.3L		11R4Y	3731	37314	0.035
1991-90	V6 3.3L		11R4Y	3731	37314	0.035
1989	V6 3.0L		11R5Y	3733	37334	0.035
1988	L4 2.5L		11R4Y	3731	37314	0.035
1988	V6 3.0L		11R5Y	3733	37334	0.035
<b>Intrepid</b>						
2004-02	V6 2.7L	6 CPBs Req	N/A	N/A	N/A	
2004-02	V6 3.5L	6 CPBs Req	N/A	N/A	N/A	
2001	V6 2.7L	6 CPBs Req	N/A	N/A	N/A	
2001	V6 3.2L	6 CPBs Req	N/A	N/A	N/A	
2001	V6 3.5L	6 CPBs Req	N/A	N/A	N/A	

\* Short Style 6 Series - PN 3741 (single), PN 37414 (4pk) - Pre-gapped 0.035  
 \* Short Style 7 Series - PN 3742 (single), PN 37424 (4pk) - Pre-gapped 0.035

CPB's = Coil Plug Boots  
 \*\* Pre-gapped for optimal performance.



Make Model Year	Engine Size	Notes:	Plug Type	MSD PN Single	MSD PN 4-Pack	Pre-Gap Setting**
1999-98	V6 2.7L	6 CPBs Req	N/A	N/A	N/A	
1999-98	V6 3.2L	6 CPBs Req	N/A	N/A	N/A	
1997-93	V6 3.3L		11IR4Y	3731	37314	0.035
1997-93	V6 3.5L		8IR5L	3728	37284	0.040
<b>Journey</b>						
2013	V6 3.6L	VIN - ERB	N/A	N/A	N/A	
2013	L4 2.4L	Eng ED3	N/A	N/A	N/A	
2012	V6 3.6L	VIN - ERB	N/A	N/A	N/A	
2012	L4 2.4L	Eng ED3	N/A	N/A	N/A	
2011	L4 2.4L	Eng ED3	N/A	N/A	N/A	
2010	L4 2.4L	Eng ED3	N/A	N/A	N/A	
2010	L4 2.4L	Eng EDG	N/A	N/A	N/A	
2010	V6 3.5L		N/A	N/A	N/A	
2009	L4 2.4L	Eng ED3	N/A	N/A	N/A	
2009	L4 2.4L	Eng EDG	N/A	N/A	N/A	
2009	V6 3.5L		N/A	N/A	N/A	
<b>Lancer</b>						
1989-86	L4 2.2L		11IR4Y	3731	37314	0.035
1989-86	L4 2.5L		11IR4Y	3731	37314	0.035
1985	L4 2.2L		11IR4Y	3731	37314	0.035
1962	L6 2.8L		11IR4Y	3731	37314	0.035
1962	L6 3.7L		11IR4Y	3731	37314	0.035
1962	V8 6.7L		15IR5Y	3739	37394	0.035
1961	L6 3.7L		11IR4Y	3731	37314	0.035
1961	V8 6.7L		15IR5Y	3739	37394	0.035
<b>M300</b>						
1974	V8 5.2L		N/A	N/A	N/A	
1974	V8 7.2L		6IR5Y	3722	37224	0.035
1968	L6 4.1L		15IR6	3740	37404	0.032
<b>M350</b>						
1974	V8 5.2L		N/A	N/A	N/A	
1974	V8 7.2L		6IR5Y	3722	37224	0.035
<b>Magnum</b>						
2008-07	V6 2.7L		N/A	N/A	N/A	
2008-07	V6 3.5L		N/A	N/A	N/A	
2008-07	V8 5.7L		5IR4L	3718	37184	0.040
2008-07	V8 6.1L		5IR5Y	3719	37194	0.040
2006	V6 2.7L		N/A	N/A	N/A	
2006	V6 3.5L		N/A	N/A	N/A	
2006	V8 5.7L		5IR4L	3718	37184	0.040
2006	V8 6.1L		5IR5Y	3719	37194	0.040
2005	V6 2.7L	6 CPBs Req	5IR5Y	3719	37194	0.040
2005	V6 3.5L	6 CPBs Req	N/A	N/A	N/A	
2005	V8 5.7L	8 CPBs Req	5IR4L	3718	37184	0.040
1979	V8 5.2L		11IR4Y	3731	37314	0.035
1979	V8 5.9L		11IR4Y	3731	37314	0.035
1978	V8 5.2L		11IR4Y	3731	37314	0.035
1978	V8 5.9L		11IR4Y	3731	37314	0.035
1978	V8 6.6L		15IR5Y	3739	37394	0.035
<b>Meadowbrook</b>						
1952-49	L6 3.8L		15IR6	3740	37404	0.032
<b>Mini Ram</b>						
1988	L4 2.5L		11IR4Y	3731	37314	0.035
1988	V6 3.0L		11IR5Y	3733	37334	0.035
1987	L4 2.2L		11IR4Y	3731	37314	0.035
1987	L4 2.5L		11IR4Y	3731	37314	0.035
1987	L4 2.6L		11IR5Y	3733	37334	0.035
1987	V6 3.0L		11IR5Y	3733	37334	0.035
1986-84	L4 2.2L		11IR4Y	3731	37314	0.035
1986-84	L4 2.6L		N/A	N/A	N/A	
<b>Mirada</b>						
1983-81	L6 3.7L		6IR4Y	3720	37204	0.035
1983-81	V8 5.2L		11IR4Y	3731	37314	0.035
1980	L6 3.7L		6IR4Y	3720	37204	0.035
1980	V8 5.2L		11IR4Y	3731	37314	0.035
1980	V8 5.9L		11IR4Y	3731	37314	0.035

Make Model Year	Engine Size	Notes:	Plug Type	MSD PN Single	MSD PN 4-Pack	Pre-Gap Setting**
<b>Monaco</b>						
1992-90	V6 3.0L		11R5Y	3713	37134	0.043
1978-77	L6 3.7L		6IR4Y	3720	37204	0.035
1978-77	V8 5.2L		11IR4Y	3731	37314	0.035
1978-77	V8 5.9L		11IR4Y	3731	37314	0.035
1978-77	V8 6.6L		15IR4Y	3738	37384	0.035
1978-77	V8 7.2L		15IR5Y	3739	37394	0.035
1976-75	V8 5.2L		11IR4Y	3731	37314	0.035
1976-75	V8 5.9L		11IR4Y	3731	37314	0.035
1976-75	V8 6.6L		15IR4Y	3738	37384	0.035
1976-75	V8 7.2L		15IR5Y	3739	37394	0.035
1974-72	V8 5.9L		11IR4Y	3731	37314	0.035
1974-72	V8 6.6L		15IR4Y	3738	37384	0.035
1974-72	V8 7.2L		15IR5Y	3739	37394	0.035
1971	V8 5.9L		11IR4Y	3731	37314	0.035
1971	V8 6.3L	Vin L	15IR4Y	3738	37384	0.035
1971	V8 6.3L	Vin N	15IR5Y	3739	37394	0.035
1971	V8 7.2L		15IR5Y	3739	37394	0.035
1970	V8 5.2L		11IR4Y	3731	37314	0.035
1970	V8 6.3L	Vin L	15IR4Y	3738	37384	0.035
1970	V8 6.3L	Vin N	15IR5Y	3739	37394	0.035
1970	V8 7.2L	Vin T	15IR5Y	3739	37394	0.035
1969	V8 5.2L		11IR4Y	3731	37314	0.035
1969	V8 6.3L	Vin G	15IR4Y	3738	37384	0.035
1969	V8 6.3L	Vin H	15IR5Y	3739	37394	0.035
1969	V8 7.2L		15IR4Y	3738	37384	0.035
1968	V8 5.2L		11IR4Y	3731	37314	0.035
1968	V8 6.3L	Vin G	15IR4Y	3738	37384	0.035
1968	V8 6.3L	Vin H	15IR5Y	3739	37394	0.035
1968	V8 7.2L	Vin K	15IR4Y	3738	37384	0.035
1968	V8 7.2L	Vin L	15IR5Y	3739	37394	0.035
1967	V8 6.3L		15IR4Y	3738	37384	0.035
1967	V8 7.2L		15IR4Y	3738	37384	0.035
1966	V8 6.3L		15IR4Y	3738	37384	0.035
1966	V8 7.0L		15IR5Y	3739	37394	0.035
1966	V8 7.2L		15IR4Y	3738	37384	0.035
1965	V8 6.3L		15IR4Y	3738	37384	0.035
1965	V8 6.7L		15IR5Y	3739	37394	0.035
1965	V8 7.0L		15IR5Y	3739	37394	0.035
<b>Neon</b>						
2005-04	L4 2.0L		7IR6Y *	3727	37274	0.043
2005-04	L4 2.4L		N/A	N/A	N/A	
2003	L4 2.0L		7IR6Y *	3727	37274	0.043
2003	L4 2.4L		N/A	N/A	N/A	
2002	L4 2.0L		7IR6Y *	3727	37274	0.043
1999-95	L4 2.0L	DOHC	7IR6Y *	3727	37274	0.043
<b>Nitro</b>						
2011-10	V6 3.7L		7IR6L	3726	37264	0.032
2011-10	V6 4.0L		N/A	N/A	N/A	
2009-07	V6 3.7L		7IR6L	3726	37264	0.032
2009-07	V6 4.0L		N/A	N/A	N/A	
<b>Omni</b>						
1990-87	L4 2.2L		11IR4Y	3731	37314	0.035
1986-84	L4 1.6L		11IR4Y	3731	37314	0.035
1986-84	L4 2.2L		11IR4Y	3731	37314	0.035
1983	L4 1.6L		11IR4Y	3731	37314	0.035
1983	L4 1.7L		11IR4Y	3731	37314	0.035
1983	L4 2.2L		11IR4Y	3731	37314	0.035
1982-81	L4 1.7L		11IR4Y	3731	37314	0.035
1982-81	L4 2.2L		11IR4Y	3731	37314	0.035
1980-78	L4 1.7L		11IR4Y	3731	37314	0.035
<b>P100</b>						
1968	L6 3.7L		11IR4Y	3731	37314	0.035
<b>P200</b>						
1972-70	L6 3.7L		11IR4Y	3731	37314	0.035
1972-70	V8 5.9L		11IR4Y	3731	37314	0.035
1969-68	L6 3.7L		11IR4Y	3731	37314	0.035

CPB's = Coil Plug Boots  
 \*\* Pre-gapped for optimal performance.

\* Short Style 6 Series - PN 3741 (single), PN 37414 (4pk) - Pre-gapped 0.035  
 \* Short Style 7 Series - PN 3742 (single), PN 37424 (4pk) - Pre-gapped 0.035



**Dodge P300**

Make Model Year	Engine Size	Notes:	Plug Type	MSD PN Single	MSD PN 4-Pack	Pre-Gap Setting**
<b>P300</b>						
1972-71	L6 3.7L		11R4Y	3731	37314	0.035
1972-71	V8 5.9L		11R4Y	3731	37314	0.035
1970-68	L6 3.7L		11R4Y	3731	37314	0.035
<b>Polara</b>						
1973-72	V8 5.2L		11R4Y	3731	37314	0.035
1973-72	V8 5.9L		11R4Y	3731	37314	0.035
1973-72	V8 6.6L	Vin M	15R4Y	3738	37384	0.035
1973-72	V8 6.6L	Vin P	15R5Y	3739	37394	0.035
1973-72	V8 7.2L	Vin T	15R4Y	3738	37384	0.035
1971	L6 3.7L	Vin C	11R4Y	3731	37314	0.035
1971	V8 5.2L		11R4Y	3731	37314	0.035
1971	V8 5.9L		11R4Y	3731	37314	0.035
1971	V8 6.3L		15R4Y	3738	37384	0.035
1971	V8 7.2L	Vin T	15R4Y	3738	37384	0.035
1970	L6 3.7L	Vin C	11R4Y	3731	37314	0.035
1970	V8 5.2L		11R4Y	3731	37314	0.035
1970	V8 6.3L		15R4Y	3738	37384	0.035
1970	V8 7.2L	Vin T	15R4Y	3738	37384	0.035
1969	V8 5.2L		11R4Y	3731	37314	0.035
1969	V8 6.3L		15R4Y	3738	37384	0.035
1969	V8 7.2L		15R4Y	3738	37384	0.035
1968	V8 5.2L		11R4Y	3731	37314	0.035
1968	V8 6.3L		15R4Y	3738	37384	0.035
1968	V8 7.2L	Vin K	15R4Y	3738	37384	0.035
1968	V8 7.2L		15R5Y	3739	37394	0.035
1967	V8 4.5L		11R4Y	3731	37314	0.035
1967	V8 5.2L	3/4" Reach	11R4Y	3731	37314	0.035
1967	V8 5.2L	3/8" Reach	15R4Y	3738	37384	0.035
1967	V8 6.3L		15R4Y	3738	37384	0.035
1967	V8 7.0L		15R5Y	3739	37394	0.035
1967	V8 7.2L	Except H.O.	15R4Y	3738	37384	0.035
1967	V8 7.2L	H.O.	15R5Y	3739	37394	0.035
1966	V8 4.5L	H.O.	11R5Y	3733	37334	0.035
1966	V8 4.5L	W/O H.O.	11R4Y	3731	37314	0.035
1966	V8 5.2L		15R4Y	3738	37384	0.035
1966	V8 6.3L		15R4Y	3738	37384	0.035
1966	V8 7.0L		15R5Y	3739	37394	0.035
1966	V8 7.2L	Except H.O.	15R4Y	3738	37384	0.035
1966	V8 7.2L	H.O.	15R5Y	3739	37394	0.035
1965	V8 4.5L	H.O.	11R5Y	3733	37334	0.035
1965	V8 4.5L	W/O H.O.	11R4Y	3731	37314	0.035
1965	V8 5.2L		15R4Y	3738	37384	0.035
1965	V8 6.3L		15R4Y	3738	37384	0.035
1965	V8 6.7L		15R5Y	3739	37394	0.035
1965	V8 7.0L		15R5Y	3739	37394	0.035
1964	L6 2.8L		11R4Y	3731	37314	0.035
1964	L6 3.7L		11R4Y	3731	37314	0.035
1964	V8 4.5L		11R4Y	3731	37314	0.035
1964	V8 5.2L		15R4Y	3738	37384	0.035
1964	V8 5.9L		15R4Y	3738	37384	0.035
1964	V8 6.3L		15R4Y	3738	37384	0.035
1964	V8 7.0L		15R5Y	3739	37394	0.035
1963	L6 2.8L		11R4Y	3731	37314	0.035
1963	L6 3.7L		11R4Y	3731	37314	0.035
1963	V8 5.2L		15R4Y	3738	37384	0.035
1963	V8 5.9L		15R4Y	3738	37384	0.035
1963	V8 6.3L		15R4Y	3738	37384	0.035
1963	V8 6.8L		15R4Y	3738	37384	0.035
1962	V8 5.2L		15R4Y	3738	37384	0.035
1962	V8 5.9L		15R4Y	3738	37384	0.035
1962	V8 6.3L		15R4Y	3738	37384	0.035
1962	V8 6.7L		15R5Y	3739	37394	0.035
1961	V8 5.2L		15R4Y	3738	37384	0.035
1961	V8 5.9L		15R4Y	3738	37384	0.035
1961	V8 6.3L		15R5Y	3739	37394	0.035
1961	V8 6.7L		15R5Y	3739	37394	0.035
1960	V8 5.2L		15R4Y	3738	37384	0.035
1960	V8 5.9L		15R4Y	3738	37384	0.035
1960	V8 6.3L		15R5Y	3739	37394	0.035

Make Model Year	Engine Size	Notes:	Plug Type	MSD PN Single	MSD PN 4-Pack	Pre-Gap Setting**
<b>Power Ram 50</b>						
1986	L4 2.6L		N/A	N/A	N/A	
1985	L4 2.3L		N/A	N/A	N/A	
1985	L4 2.6L		N/A	N/A	N/A	
1984	L4 2.0L		N/A	N/A	N/A	
1984	L4 2.3L		N/A	N/A	N/A	
1984	L4 2.6L		N/A	N/A	N/A	
1983	L4 2.0L		N/A	N/A	N/A	
1983	L4 2.3L		N/A	N/A	N/A	
1983	L4 2.6L		11R5Y	3733	37334	0.035
<b>Raider</b>						
1989	L4 2.6L		N/A	N/A	N/A	
1989	V6 3.0L		11R5Y	3733	37334	0.035
1988-87	L4 2.6L		N/A	N/A	N/A	
<b>Ram 50</b>						
1993-92	L4 2.4L		N/A	N/A	N/A	
1991-90	L4 2.4L		N/A	N/A	N/A	
1991-90	V6 3.0L		11R5Y	3733	37334	0.035
1989	L4 2.0L		N/A	N/A	N/A	
1989	L4 2.6L		N/A	N/A	N/A	
1988-86	L4 2.0L		N/A	N/A	N/A	
1988-86	L4 2.6L		N/A	N/A	N/A	
1985	L4 2.0L		N/A	N/A	N/A	
1985	L4 2.3L		N/A	N/A	N/A	
1985	L4 2.6L		N/A	N/A	N/A	
1984	L4 2.0L		N/A	N/A	N/A	
1984	L4 2.3L		N/A	N/A	N/A	
1984	L4 2.6L		N/A	N/A	N/A	
1983	L4 2.0L		N/A	N/A	N/A	
1983	L4 2.3L		N/A	N/A	N/A	
1983	L4 2.6L		11R5Y	3733	37334	0.035
<b>Ram 1500</b>						
2013	V8 5.7L		9IR5L	3729	37294	0.040
2013	V6 3.7L		7IR6L	3726	37264	0.032
2013	V8 4.7L	Exhaust	9IR5Y	3730	37304	0.040
2013	V8 4.7L	Intake	9IR5L	3729	37294	0.040
2012	V8 5.7L		9IR5L	3729	37294	0.040
2012	V6 3.7L		7IR6L	3726	37264	0.032
2012	V8 4.7L	Exhaust	9IR5Y	3730	37304	0.040
2012	V8 4.7L	Intake	9IR5L	3729	37294	0.040
2011	V8 5.7L		9IR5L	3729	37294	0.040
2011	V6 3.7L		7IR6L	3726	37264	0.032
2011	V8 4.7L	Exhaust	9IR5Y	3730	37304	0.040
2011	V8 4.7L	Intake	9IR5L	3729	37294	0.040
2010	V6 3.7L		7IR6L	3726	37264	0.032
2010	V8 4.7L	Exhaust	9IR5Y	3730	37304	0.040
2010	V8 4.7L	Intake	9IR5L	3729	37294	0.040
2010	V8 5.7L		9IR5L	3729	37294	0.040
2009	V6 3.7L		7IR6L	3726	37264	0.032
2009	V8 4.7L	Exhaust	9IR5Y	3730	37304	0.040
2009	V8 4.7L	Intake	9IR5L	3729	37294	0.040
2009	V8 5.7L	Eng EZD	9IR5L	3729	37294	0.040
2008	V6 3.7L		7IR6L	3726	37264	0.032
2008	V8 4.7L	Exhaust	9IR5Y	3730	37304	0.040
2008	V8 4.7L	Intake	9IR5L	3729	37294	0.040
2008	V8 5.7L		5IR4L	3718	37184	0.040
2007	V6 3.7L		7IR6L	3726	37264	0.032
2007	V8 4.7L		7IR6L	3726	37264	0.032
2007	V8 5.7L		5IR4L	3718	37184	0.040
2006	V6 3.7L		7IR6L	3726	37264	0.032
2006	V8 4.7L		7IR6L	3726	37264	0.032
2006	V8 5.7L		5IR4L	3718	37184	0.040
2006	V10 8.3L		N/A	N/A	N/A	
2005-04	V6 3.7L		7IR6L	3726	37264	0.032
2005-04	V8 4.7L		7IR6L	3726	37264	0.032
2005-04	V8 5.7L	8 CPBs Req	5IR4L	3718	37184	0.040
2005-04	V10 8.3L		N/A	N/A	N/A	
2003	V6 3.7L		7IR6L	3726	37264	0.032
2003	V8 4.7L		7IR6L	3726	37264	0.032
2003	V8 5.7L	8 CPBs Req	5IR4L	3718	37184	0.040

\* Short Style 6 Series - PN 3741 (single), PN 37414 (4pk) - Pre-gapped 0.035  
 \* Short Style 7 Series - PN 3742 (single), PN 37424 (4pk) - Pre-gapped 0.035

CPB's = Coil Plug Boots  
 \*\* Pre-gapped for optimal performance.





Make Model Year	Engine Size	Notes:	Plug Type	MSD PN Single	MSD PN 4-Pack	Pre-Gap Setting**
2003	V8 5.9L		71R6Y *	3727	37274	0.043
2002	V6 3.7L		71R6L	3726	37264	0.032
2002	V8 4.7L		71R6L	3726	37264	0.032
2002	V8 5.9L		71R6Y *	3727	37274	0.043
2001	V6 3.9L		71R6Y *	3727	37274	0.043
2001	V8 5.2L		71R6Y *	3727	37274	0.043
2001	V8 5.9L		71R6Y *	3727	37274	0.043
2000-98	V6 3.9L		81R5L	3728	37284	0.040
2000-98	V8 5.2L		71R6Y *	3727	37274	0.043
2000-98	V8 5.9L		71R6Y *	3727	37274	0.043
1997	V6 3.9L		81R5L	3728	37284	0.040
1997	V8 5.2L		71R6Y *	3727	37274	0.043
1997	V8 5.9L		71R4Y	3724	37244	0.040
1996-94	V6 3.9L		71R4Y	3724	37244	0.040
1996-94	V8 5.2L		71R4Y	3724	37244	0.040
1996-94	V8 5.9L		71R4Y	3724	37244	0.040
<b>Ram 1500 Van</b>						
2003-01	V6 3.9L		71R6Y *	3727	37274	0.043
2003-01	V8 5.2L		71R6Y *	3727	37274	0.043
2003-01	V8 5.9L		71R6Y *	3727	37274	0.043
2000-99	V6 3.9L		81R5L	3728	37284	0.040
2000-99	V8 5.2L		71R6Y *	3727	37274	0.043
2000-99	V8 5.9L		71R6Y *	3727	37274	0.043
<b>Ram 2500</b>						
2010-09	V8 5.7L		91R5L	3729	37294	0.040
2008-06	V8 5.7L		51R4L	3718	37184	0.040
2005-04	V8 5.7L	8 CPBs Req	51R4L	3718	37184	0.040
2003	V8 5.7L	8 CPBs Req	51R4L	3718	37184	0.040
2003	V10 8.0L		71R6L	3726	37264	0.032
2002-98	V8 5.9L		71R6Y *	3727	37274	0.043
2002-98	V10 8.0L		71R6L	3726	37264	0.032
1997	V8 5.9L		71R4Y	3724	37244	0.040
1997	V10 8.0L		71R6L	3726	37264	0.032
1996	V8 5.2L		71R4Y	3724	37244	0.040
1996	V8 5.9L	Vin 5	71R5Y	3725	37254	0.040
1996	V8 5.9L	Vin Z	71R4Y	3724	37244	0.040
1996	V10 8.0L		N/A	N/A	N/A	
1995	V8 5.2L		71R4Y	3724	37244	0.040
1995	V8 5.9L	Vin 5	71R5Y	3725	37254	0.040
1995	V8 5.9L	Vin Z	71R4Y	3724	37244	0.040
1995	V10 8.0L		N/A	N/A	N/A	
1994	V8 5.2L		71R4Y	3724	37244	0.040
1994	V8 5.9L		71R4Y	3724	37244	0.040
1994	V10 8.0L		N/A	N/A	N/A	
<b>Ram 2500 Van</b>						
2003-02	V8 5.2L		71R6Y *	3727	37274	0.043
2003-02	V8 5.9L		71R6Y *	3727	37274	0.043
2001	V6 3.9L		71R6Y *	3727	37274	0.043
2001	V8 5.2L		71R6Y *	3727	37274	0.043
2001	V8 5.9L		71R6Y *	3727	37274	0.043
2000-99	V8 5.2L	CNG	71R6Y *	3727	37274	0.043
2000-99	V8 5.2L	GAS	71R6Y *	3727	37274	0.043
2000-99	V8 5.2L	LPG	71R6Y *	3727	37274	0.043
2000-99	V8 5.9L		71R6Y *	3727	37274	0.043
<b>Ram 3500</b>						
2009	V8 5.7L		91R5L	3729	37294	0.040
2008-06	V8 5.7L		51R4L	3718	37184	0.040
2005-04	V8 5.7L	8 CPBs Req	51R4L	3718	37184	0.040
2003	V8 5.7L	8 CPBs Req	51R4L	3718	37184	0.040
2003	V10 8.0L		71R6L	3726	37264	0.032
2002-98	V8 5.9L		71R6Y *	3727	37274	0.043
2002-98	V10 8.0L		71R6L	3726	37264	0.032
1997	V8 5.9L	Vin 5	71R5Y	3725	37254	0.040
1997	V8 5.9L	Vin Z	71R4Y	3724	37244	0.040
1997	V10 8.0L		71R6L	3726	37264	0.032
1996	V8 5.9L		71R5Y	3725	37254	0.040
1996	V10 8.0L		N/A	N/A	N/A	

CPB's = Coil Plug Boots  
 \*\* Pre-gapped for optimal performance.

Make Model Year	Engine Size	Notes:	Plug Type	MSD PN Single	MSD PN 4-Pack	Pre-Gap Setting**
1995	V8 5.9L		161R5Y	3744	37444	0.035
1995	V10 8.0L		N/A	N/A	N/A	
1994	V8 5.9L	Vin 5	161R5Y	3744	37444	0.035
1994	V10 8.0L		N/A	N/A	N/A	
<b>Ram 3500 Van</b>						
2003-02	V8 5.2L		71R6Y *	3727	37274	0.043
2003-02	V8 5.9L		71R6Y *	3727	37274	0.043
2001	V8 5.2L		71R6Y *	3727	37274	0.043
2001	V8 5.9L		71R6L	3726	37264	0.032
2000-99	V8 5.2L	CNG	71R6Y *	3727	37274	0.043
2000-99	V8 5.2L	GAS	71R6Y *	3727	37274	0.043
2000-99	V8 5.2L	LPG	71R6Y *	3727	37274	0.043
2000-99	V8 5.9L		71R6Y *	3727	37274	0.043
<b>Ramcharger</b>						
1993	V8 5.2L		71R4Y	3724	37244	0.040
1993	V8 5.9L		71R4Y	3724	37244	0.040
1992	V8 5.2L		71R4Y	3724	37244	0.040
1992	V8 5.9L		111R4Y	3731	37314	0.035
1991-84	V8 5.2L		111R4Y	3731	37314	0.035
1991-84	V8 5.9L		111R4Y	3731	37314	0.035
1983-82	V8 5.2L		111R4Y	3731	37314	0.035
1981	V8 5.2L		111R4Y	3731	37314	0.035
1981	V8 5.9L		111R4Y	3731	37314	0.035
1980-79	L6 3.7L		61R4Y	3720	37204	0.035
1980-79	V8 5.2L		111R4Y	3731	37314	0.035
1980-79	V8 5.9L		111R4Y	3731	37314	0.035
1978-77	L6 3.7L		61R4Y	3720	37204	0.035
1978-77	V8 5.2L		111R4Y	3731	37314	0.035
1978-77	V8 5.9L		111R4Y	3731	37314	0.035
1978-77	V8 6.6L		151R5Y	3739	37394	0.035
1978-77	V8 7.2L		151R5Y	3739	37394	0.035
1976	L6 3.7L		61R4Y	3720	37204	0.035
1976	V8 5.2L		111R4Y	3731	37314	0.035
1976	V8 5.9L		111R4Y	3731	37314	0.035
1976	V8 6.6L		151R4Y	3738	37384	0.035
1976	V8 7.2L		151R5Y	3739	37394	0.035
1975	L6 3.7L		61R4Y	3720	37204	0.035
1975	V8 5.2L		111R4Y	3731	37314	0.035
1975	V8 5.9L		111R4Y	3731	37314	0.035
1975	V8 7.2L		151R5Y	3739	37394	0.035
1974	L6 3.7L		111R4Y	3731	37314	0.035
1974	V8 5.2L		111R4Y	3731	37314	0.035
1974	V8 5.9L		111R4Y	3731	37314	0.035
1974	V8 7.2L		151R5Y	3739	37394	0.035
<b>Rampage</b>						
1984-82	L4 2.2L		111R4Y	3731	37314	0.035
<b>RD200</b>						
1980-78	V8 5.2L		111R4Y	3731	37314	0.035
1980-78	V8 5.9L		111R4Y	3731	37314	0.035
<b>Royal Mini Ram</b>						
1987	L4 2.2L		111R4Y	3731	37314	0.035
1987	L4 2.6L		111R5Y	3733	37334	0.035
1987	V6 3.0L		111R5Y	3733	37334	0.035
1986-84	L4 2.2L		111R4Y	3731	37314	0.035
1986-84	L4 2.6L		111R5Y	3733	37334	0.035
<b>Royal Monaco</b>						
1977	V8 5.2L		111R4Y	3731	37314	0.035
1977	V8 5.9L		111R4Y	3731	37314	0.035
1977	V8 6.6L		151R4Y	3738	37384	0.035
1977	V8 7.2L		151R5Y	3739	37394	0.035
1976	V8 5.9L		111R4Y	3731	37314	0.035
1976	V8 6.6L		151R4Y	3738	37384	0.035
1976	V8 7.2L		151R5Y	3739	37394	0.035
1975	V8 5.2L		111R4Y	3731	37314	0.035
1975	V8 5.9L		111R4Y	3731	37314	0.035
1975	V8 6.6L		151R4Y	3738	37384	0.035
1975	V8 7.2L		151R5Y	3739	37394	0.035

\* Short Style 6 Series - PN 3741 (single), PN 37414 (4pk) - Pre-gapped 0.035  
 \* Short Style 7 Series - PN 3742 (single), PN 37424 (4pk) - Pre-gapped 0.035



## Dodge shadow

Make Model Year	Engine Size	Notes:	Plug Type	MSD PN Single	MSD PN 4-Pack	Pre-Gap Setting**
<b>Shadow</b>						
1994-92	L4 2.2L		11R4Y	3731	37314	0.035
1994-92	L4 2.5L		11R4Y	3731	37314	0.035
1994-92	V6 3.0L		11R5Y	3733	37334	0.035
1991-88	L4 2.2L		11R4Y	3731	37314	0.035
1991-88	L4 2.5L		11R4Y	3731	37314	0.035
1987	L4 2.2L		11R4Y	3731	37314	0.035
<b>Spirit</b>						
1995-93	L4 2.5L		11R4Y	3731	37314	0.035
1995-93	V6 3.0L		11R5Y	3733	37334	0.035
1992-91	L4 2.2L		11R4Y	3731	37314	0.035
1992-91	L4 2.5L		11R4Y	3731	37314	0.035
1992-91	V6 3.0L		11R5Y	3733	37334	0.035
1990-89	L4 2.5L		11R4Y	3731	37314	0.035
1990-89	V6 3.0L		11R5Y	3733	37334	0.035
<b>Sprinter 2500</b>						
2008-07	V6 3.5L	6 CPBs Req	N/A	N/A	N/A	
2006-03	L5 2.7L		N/A	N/A	N/A	
<b>Sprinter 3500</b>						
2008-07	V6 3.5L	6 CPBs Req	N/A	N/A	N/A	
2006-03	L5 2.7L		N/A	N/A	N/A	
<b>St. Regis</b>						
1981	L6 3.7L		6R4Y	3720	37204	0.035
1981	V8 5.2L		11R4Y	3731	37314	0.035
1980-79	L6 3.7L		6R4Y	3720	37204	0.035
1980-79	V8 5.2L		11R4Y	3731	37314	0.035
1980-79	V8 5.9L		11R4Y	3731	37314	0.035
<b>Stealth</b>						
1996-93	V6 3.0L	Vin H, DOHC	11R5Y	3733	37334	0.035
1996-93	V6 3.0L	Vin H, SOHC	11R5Y	3733	37334	0.035
1996-93	V6 3.0L	Vin J, DOHC	7R6Y *	3727	37274	0.043
1996-93	V6 3.0L	Vin J, SOHC	7R6Y *	3727	37274	0.043
1996-93	V6 3.0L	Vin K, DOHC	7R6Y *	3727	37274	0.043
1996-93	V6 3.0L	Vin K, SOHC	7R6Y *	3727	37274	0.043
1992-91	V6 3.0L	Vin B, DOHC	7R6Y *	3727	37274	0.043
1992-91	V6 3.0L	Vin B, SOHC	7R6Y *	3727	37274	0.043
1992-91	V6 3.0L	Vin C, DOHC	7R6Y *	3727	37274	0.043
1992-91	V6 3.0L	Vin C, SOHC	7R6Y *	3727	37274	0.043
1992-91	V6 3.0L	Vin S, DOHC	11R5Y	3733	37334	0.035
1992-91	V6 3.0L	Vin S, SOHC	11R5Y	3733	37334	0.035
<b>Stratus</b>						
2006	L4 2.4L		N/A	N/A	N/A	
2006	V6 2.7L		N/A	N/A	N/A	
2005	L4 2.4L	Vin G, SOHC	7R6Y *	3727	37274	0.043
2005	L4 2.4L	Vin J, SOHC	N/A	N/A	N/A	
2005	L4 2.4L	Vin X, SOHC	N/A	N/A	N/A	
2005	L4 2.4L	Vin G, SOHC, 2 CPBs Req	7R6Y *	3727	37274	0.043
2005	L4 2.4L	Vin J, SOHC, 2 CPBs Req	N/A	N/A	N/A	
2005	L4 2.4L	Vin X, SOHC, 2 CPBs Req	N/A	N/A	N/A	
2005	V6 2.7L	6 CPBs Req	N/A	N/A	N/A	
2005	V6 3.0L		7R6Y *	3727	37274	0.043
2004	L4 2.4L	Vin G, SOHC	7R6Y *	3727	37274	0.043
2004	L4 2.4L	Vin J, SOHC	N/A	N/A	N/A	
2004	L4 2.4L	Vin X, SOHC	N/A	N/A	N/A	
2004	L4 2.4L	Vin G, SOHC, 2 CPBs Req	7R6Y *	3727	37274	0.043
2004	L4 2.4L	Vin J, SOHC, 2 CPBs Req	N/A	N/A	N/A	
2004	L4 2.4L	Vin X, SOHC, 2 CPBs Req	N/A	N/A	N/A	
2004	V6 2.7L	6 CPBs Req	N/A	N/A	N/A	
2004	V6 3.0L		7R6Y *	3727	37274	0.043
2003	L4 2.4L	Vin G, SOHC	N/A	N/A	N/A	
2003	L4 2.4L	Vin X, SOHC	N/A	N/A	N/A	
2003	L4 2.4L	Vin G, SOHC, 2 CPBs Req	N/A	N/A	N/A	
2003	L4 2.4L	Vin X, SOHC, 2 CPBs Req	N/A	N/A	N/A	
2003	V6 2.7L	6 CPBs Req	N/A	N/A	N/A	
2003	V6 3.0L		7R6Y *	3727	37274	0.043
2002-01	L4 2.4L	Vin G, SOHC	7R6Y *	3727	37274	0.043
2002-01	L4 2.4L	Vin X, SOHC	N/A	N/A	N/A	

Make Model Year	Engine Size	Notes:	Plug Type	MSD PN Single	MSD PN 4-Pack	Pre-Gap Setting**
2002-01	L4 2.4L	Vin G, SOHC, 2 CPBs Req	7R6Y *	3727	37274	0.043
2002-01	L4 2.4L	Vin X, SOHC, 2 CPBs Req	N/A	N/A	N/A	
2002-01	V6 2.7L	6 CPBs Req	N/A	N/A	N/A	
2002-01	V6 3.0L		7R6Y *	3727	37274	0.043
2000-95	L4 2.0L		7R6Y *	3727	37274	0.043
2000-95	L4 2.4L		7R4Y	3724	37244	0.040
2000-95	V6 2.5L		7R5Y	3725	37254	0.040
<b>SX 2.0</b>						
2005-03	L4 2.0L		7R6Y *	3727	37274	0.043
<b>Viper</b>						
2010-08	V10 8.4L		N/A	N/A	N/A	
2006-03	V10 8.3L		N/A	N/A	N/A	
2002-92	V10 8.0L		8R5L	3728	37284	0.040
<b>W100</b>						
1989	V6 3.9L		11R4Y	3731	37314	0.035
1989	V8 5.2L		11R4Y	3731	37314	0.035
1988	V8 5.2L		11R4Y	3731	37314	0.035
1988	V8 5.9L		11R4Y	3731	37314	0.035
1987-86	L6 3.7L		6R4Y	3720	37204	0.035
1987-86	V8 5.2L		11R4Y	3731	37314	0.035
1987-86	V8 5.9L		11R4Y	3731	37314	0.035
1977-75	L6 3.7L		6R4Y	3720	37204	0.035
1977-75	V8 5.2L		11R4Y	3731	37314	0.035
1977-75	V8 5.9L		11R4Y	3731	37314	0.035
1977-75	V8 6.6L		15R5Y	3739	37394	0.035
1977-75	V8 7.2L		15R5Y	3739	37394	0.035
<b>W100 Pickup</b>						
1974	L6 3.7L		11R4Y	3731	37314	0.035
1974	V8 5.2L		11R4Y	3731	37314	0.035
1974	V8 5.9L		11R4Y	3731	37314	0.035
1974	V8 6.6L		15R4Y	3738	37384	0.035
1974	V8 7.2L		15R5Y	3739	37394	0.035
1973-72	L6 3.7L		11R4Y	3731	37314	0.035
1973-72	V8 5.2L		11R4Y	3731	37314	0.035
1973-72	V8 5.9L		11R4Y	3731	37314	0.035
1971	L6 3.7L		11R4Y	3731	37314	0.035
1971	V8 5.2L		11R4Y	3731	37314	0.035
1971	V8 6.3L		15R4Y	3738	37384	0.035
1971	V8 6.6L		15R4Y	3738	37384	0.035
1970	L6 3.7L		11R4Y	3731	37314	0.035
1970	V8 5.2L		11R4Y	3731	37314	0.035
1970	V8 6.3L		15R4Y	3738	37384	0.035
1969-68	L6 3.7L		11R4Y	3731	37314	0.035
1969-68	V8 5.2L	Heavy Duty	N/A	N/A	N/A	
1969-68	V8 5.2L	Light Duty	11R4Y	3731	37314	0.035
1969-68	V8 6.3L		15R4Y	3738	37384	0.035
<b>W100 Series</b>						
1967	L6 3.7L		11R4Y	3731	37314	0.035
1967	V8 5.2L	3/4" Reach	11R4Y	3731	37314	0.035
1967	V8 5.2L	3/8" Reach	15R4Y	3738	37384	0.035
1967	V8 6.3L		15R4Y	3738	37384	0.035
1966-64	L6 3.7L		11R4Y	3731	37314	0.035
1966-64	V8 5.2L	14mm Heads	15R5Y	3739	37394	0.035
1966-64	V8 5.2L	18mm Heads	N/A	N/A	N/A	
1966-64	V8 6.3L		15R5Y	3739	37394	0.035
1963	L6 3.7L		11R4Y	3731	37314	0.035
1963	V8 5.2L		15R5Y	3739	37394	0.035
1963	V8 6.3L		15R5Y	3739	37394	0.035
1962-60	L6 3.7L		11R4Y	3731	37314	0.035
1962-60	V8 5.2L		15R5Y	3739	37394	0.035
<b>W150</b>						
1993	V6 3.9L		7R4Y	3724	37244	0.040
1993	V8 5.2L		7R4Y	3724	37244	0.040
1993	V8 5.9L		7R4Y	3724	37244	0.040
1992	V6 3.9L		7R4Y	3724	37244	0.040
1992	V8 5.2L		7R4Y	3724	37244	0.040
1991-89	V6 3.9L		11R4Y	3731	37314	0.035
1991-89	V8 5.2L		11R4Y	3731	37314	0.035
1991-89	V8 5.9L		11R4Y	3731	37314	0.035

\* Short Style 6 Series - PN 3741 (single), PN 37414 (4pk) - Pre-gapped 0.035  
 \* Short Style 7 Series - PN 3742 (single), PN 37424 (4pk) - Pre-gapped 0.035

CPB's = Coil Plug Boots  
 \*\* Pre-gapped for optimal performance.



Make Model Year	Engine Size	Notes:	Plug Type	MSD PN Single	MSD PN 4-Pack	Pre-Gap Setting**
1988	V8 5.2L		11R4Y	3731	37314	0.035
1988	V8 5.9L		11R4Y	3731	37314	0.035
1987-84	L6 3.7L		6R4Y	3720	37204	0.035
1987-84	V8 5.2L		11R4Y	3731	37314	0.035
1987-84	V8 5.9L		11R4Y	3731	37314	0.035
1983	L6 3.7L		6R4Y	3720	37204	0.035
1983	V8 5.2L		11R4Y	3731	37314	0.035
1982	L6 3.7L		6R4Y	3720	37204	0.035
1982	V8 5.2L	Vin P	6R4Y	3720	37204	0.035
1982	V8 5.2L	Vin R	11R4Y	3731	37314	0.035
1981	L6 3.7L		6R4Y	3720	37204	0.035
1981	V8 5.2L	Vin P	6R4Y	3720	37204	0.035
1981	V8 5.2L	Vin R	11R4Y	3731	37314	0.035
1981	V8 5.9L		11R4Y	3731	37314	0.035
1980-79	L6 3.7L		6R4Y	3720	37204	0.035
1980-79	V8 5.2L		11R4Y	3731	37314	0.035
1980-79	V8 5.9L		11R4Y	3731	37314	0.035
1978	L6 3.7L		6R4Y	3720	37204	0.035
1978	V8 5.2L		11R4Y	3731	37314	0.035
1978	V8 5.9L		11R4Y	3731	37314	0.035
1978	V8 6.6L		15R5Y	3739	37394	0.035
1978	V8 7.2L		15R5Y	3739	37394	0.035
1977	V8 5.2L		11R4Y	3731	37314	0.035
1977	V8 5.9L		11R4Y	3731	37314	0.035
1977	V8 6.6L		15R5Y	3739	37394	0.035
<b>W200</b>						
1980-79	L6 3.7L		6R4Y	3720	37204	0.035
1980-79	V8 5.2L		11R4Y	3731	37314	0.035
1980-79	V8 5.9L		11R4Y	3731	37314	0.035
1978-76	L6 3.7L		6R4Y	3720	37204	0.035
1978-76	V8 5.2L		11R4Y	3731	37314	0.035
1978-76	V8 5.9L		11R4Y	3731	37314	0.035
1978-76	V8 6.6L		15R5Y	3739	37394	0.035
1978-76	V8 7.2L		15R5Y	3739	37394	0.035
1975	L6 3.7L		6R4Y	3720	37204	0.035
1975	V8 5.2L		11R4Y	3731	37314	0.035
1975	V8 5.9L		11R4Y	3731	37314	0.035
1975	V8 7.2L		15R5Y	3739	37394	0.035
<b>W200 Pickup</b>						
1974	L6 3.7L		11R4Y	3731	37314	0.035
1974	V8 5.2L		11R4Y	3731	37314	0.035
1974	V8 5.9L		11R4Y	3731	37314	0.035
1974	V8 6.6L		15R4Y	3738	37384	0.035
1974	V8 7.2L		15R5Y	3739	37394	0.035
1973-72	L6 3.7L		11R4Y	3731	37314	0.035
1973-72	V8 5.2L		11R4Y	3731	37314	0.035
1973-72	V8 5.9L		11R4Y	3731	37314	0.035
1971	L6 3.7L		11R4Y	3731	37314	0.035
1971	V8 5.2L		11R4Y	3731	37314	0.035
1971	V8 5.9L		11R4Y	3731	37314	0.035
1971	V8 6.3L		15R4Y	3738	37384	0.035
1971	V8 6.6L		15R4Y	3738	37384	0.035
1970	L6 3.7L		11R4Y	3731	37314	0.035
1970	V8 5.2L		11R4Y	3731	37314	0.035
1970	V8 6.3L		15R4Y	3738	37384	0.035
1969	L6 3.7L		11R4Y	3731	37314	0.035
1969	V8 5.2L	Heavy Duty	N/A	N/A	N/A	
1969	V8 5.2L	Light Duty	11R4Y	3731	37314	0.035
1969	V8 6.3L		15R4Y	3738	37384	0.035
<b>W200 Series</b>						
1967	L6 3.7L		11R4Y	3731	37314	0.035
1967	V8 5.2L	3/4" Reach	11R4Y	3731	37314	0.035
1967	V8 5.2L	3/8" Reach	15R4Y	3738	37384	0.035
1967	V8 6.3L		15R4Y	3738	37384	0.035
1966-64	L6 3.7L		11R4Y	3731	37314	0.035
1966-64	V8 5.2L	14mm Heads	15R5Y	3739	37394	0.035
1966-64	V8 5.2L	18mm Heads	N/A	N/A	N/A	
1966-64	V8 6.3L		15R5Y	3739	37394	0.035
1963	L6 3.7L		11R4Y	3731	37314	0.035

CPB's = Coil Plug Boots  
 \*\* Pre-gapped for optimal performance.

Make Model Year	Engine Size	Notes:	Plug Type	MSD PN Single	MSD PN 4-Pack	Pre-Gap Setting**
1963	V8 5.2L		15R5Y	3739	37394	0.035
1963	V8 6.3L		15R5Y	3739	37394	0.035
1962-60	L6 3.7L		11R4Y	3731	37314	0.035
1962-60	V8 5.2L		15R5Y	3739	37394	0.035
<b>W250</b>						
1993	V8 5.2L		7R4Y	3724	37244	0.040
1993	V8 5.9L	Vin 5	N/A	N/A	N/A	
1993	V8 5.9L	Vin Z	7R4Y	3724	37244	0.040
1992	V8 5.2L		7R4Y	3724	37244	0.040
1992	V8 5.9L		11R4Y	3731	37314	0.035
1991-89	V8 5.2L		11R4Y	3731	37314	0.035
1991-89	V8 5.9L	Vin 5	N/A	N/A	N/A	
1991-89	V8 5.9L	Vin Z	11R4Y	3731	37314	0.035
1988-87	V8 5.2L		11R4Y	3731	37314	0.035
1988-87	V8 5.9L	Vin 1	11R4Y	3731	37314	0.035
1988-87	V8 5.9L	Vin 5	N/A	N/A	N/A	
1988-87	V8 5.9L	Vin W	11R4Y	3731	37314	0.035
1986-84	V8 5.2L		11R4Y	3731	37314	0.035
1986-84	V8 5.9L		11R4Y	3731	37314	0.035
1983	V8 5.2L		11R4Y	3731	37314	0.035
1982-81	V8 5.2L	Vin P	6R4Y	3720	37204	0.035
1982-81	V8 5.2L	Vin R	11R4Y	3731	37314	0.035
1982-81	V8 5.9L		11R4Y	3731	37314	0.035
<b>W300</b>						
1980	V8 5.2L		11R4Y	3731	37314	0.035
1980	V8 5.9L		11R4Y	3731	37314	0.035
1979	V8 5.9L		11R4Y	3731	37314	0.035
1978-76	L6 3.7L		6R4Y	3720	37204	0.035
1978-76	V8 5.2L		11R4Y	3731	37314	0.035
1978-76	V8 5.9L		11R4Y	3731	37314	0.035
1978-76	V8 6.6L		15R5Y	3739	37394	0.035
1978-76	V8 7.2L		15R5Y	3739	37394	0.035
1975	L6 3.7L		6R4Y	3720	37204	0.035
1975	V8 5.2L		11R4Y	3731	37314	0.035
1975	V8 5.9L		11R4Y	3731	37314	0.035
1975	V8 7.2L		15R5Y	3739	37394	0.035
<b>W300 Pickup</b>						
1974-72	L6 3.7L		11R4Y	3731	37314	0.035
1974-72	V8 5.2L		11R4Y	3731	37314	0.035
1974-72	V8 5.9L		11R4Y	3731	37314	0.035
1971	L6 3.7L		11R4Y	3731	37314	0.035
1971	V8 5.2L		11R4Y	3731	37314	0.035
1971	V8 5.9L		11R4Y	3731	37314	0.035
1971	V8 6.3L		15R4Y	3738	37384	0.035
1970	L6 3.7L		11R4Y	3731	37314	0.035
1970	V8 5.2L		11R4Y	3731	37314	0.035
1969-68	L6 3.7L		11R4Y	3731	37314	0.035
1969-68	V8 5.2L	Heavy Duty	N/A	N/A	N/A	
1969-68	V8 5.2L	Light Duty	11R4Y	3731	37314	0.035
1969-68	V8 6.3L		15R4Y	3738	37384	0.035
<b>W300 Series</b>						
1967	L6 3.7L		11R4Y	3731	37314	0.035
1967	V8 5.2L	3/4" Reach	11R4Y	3731	37314	0.035
1967	V8 5.2L	3/8" Reach	15R4Y	3738	37384	0.035
1967	V8 6.3L		15R4Y	3738	37384	0.035
1966-64	L6 3.7L		11R4Y	3731	37314	0.035
1966-64	V8 5.2L	14mm Heads	15R5Y	3739	37394	0.035
1966-64	V8 5.2L	18mm Heads	N/A	N/A	N/A	
1963	L6 3.7L		11R4Y	3731	37314	0.035
1963	V8 5.2L		15R5Y	3739	37394	0.035
1962-60	V8 5.2L		15R5Y	3739	37394	0.035
<b>W350</b>						
1993	V8 5.9L	Vin 5	N/A	N/A	N/A	
1993	V8 5.9L	Vin Z	7R4Y	3724	37244	0.040
1992-89	V8 5.9L	Vin 5	N/A	N/A	N/A	
1992-89	V8 5.9L	Vin Z	11R4Y	3731	37314	0.035
1988	V8 5.9L	Vin 1	11R4Y	3731	37314	0.035
1988	V8 5.9L	Vin 5	N/A	N/A	N/A	
1987	V8 5.9L	Vin 1	11R4Y	3731	37314	0.035
1987	V8 5.9L	Vin 5	N/A	N/A	N/A	

\* Short Style 6 Series - PN 3741 (single), PN 37414 (4pk) - Pre-gapped 0.035  
 \* Short Style 7 Series - PN 3742 (single), PN 37424 (4pk) - Pre-gapped 0.035



**Dodge w350 continued**

Make Model Year	Engine Size	Notes:	Plug Type	MSD PN Single	MSD PN 4-Pack	Pre-Gap Setting**
1987	V8 5.9L	Vin W	11IR4Y	3731	37314	0.035
1986-84	V8 5.9L		11IR4Y	3731	37314	0.035
1983	V8 5.2L		11IR4Y	3731	37314	0.035
1983	V8 5.9L		11IR4Y	3731	37314	0.035
1982	V8 5.2L	Vin P	6IR4Y	3720	37204	0.035
1982	V8 5.2L	Vin R	11IR4Y	3731	37314	0.035
1982	V8 5.9L		11IR4Y	3731	37314	0.035
1981	V8 5.9L		11IR4Y	3731	37314	0.035
<b>Wayfarer</b>						
1952-49	L6 3.8L		15IR6	3740	37404	0.032
<b>Wm300 Pickup</b>						
1967	L6 4.1L		15IR6	3740	37404	0.032
<b>Wm300 Power Wagon</b>						
1962-60	V8 5.2L		15IR5Y	3739	37394	0.035
<b>Eagle</b>						
<b>2000 GTX</b>						
1993	L4 2.0L		N/A	N/A	N/A	
1992-91	L4 2.0L	Vin R, DOHC	N/A	N/A	N/A	
1992-91	L4 2.0L	Vin V, SOHC	N/A	N/A	N/A	
<b>Medallion</b>						
1989-88	L4 2.2L		11R5Y	3713	37134	0.043
<b>Premier</b>						
1992-90	V6 3.0L		11R5Y	3713	37134	0.043
1989-88	L4 2.5L		8IR5L	3728	37284	0.040
1989-88	V6 3.0L		11R5Y	3713	37134	0.043
<b>Summit</b>						
1996-93	L4 1.5L		11IR5Y	3733	37334	0.035
1996-93	L4 1.8L		7IR5Y	3725	37254	0.040
1996-93	L4 2.4L		7IR5Y	3725	37254	0.040
1992	L4 1.5L		11IR5Y	3733	37334	0.035
1992	L4 1.8L		7IR5Y	3725	37254	0.040
1992	L4 2.4L		11IR5Y	3733	37334	0.035
1991	L4 1.5L		11IR5Y	3733	37334	0.035
1990-89	L4 1.5L		11IR5Y	3733	37334	0.035
1990-89	L4 1.6L		N/A	N/A	N/A	
<b>Talon</b>						
1998-95	L4 2.0L	Natural Aspirated	7IR6Y *	3727	37274	0.043
1998-95	L4 2.0L	Turbo	N/A	N/A	N/A	
1994-93	L4 1.8L		N/A	N/A	N/A	
1994-93	L4 2.0L	Naturally Aspirated	N/A	N/A	N/A	
1994-93	L4 2.0L	Turbo	N/A	N/A	N/A	
1992-90	L4 2.0L	Naturally Aspirated	N/A	N/A	N/A	
1992-90	L4 2.0L	Turbo	N/A	N/A	N/A	
<b>Vision</b>						
1997-93	V6 3.3L		11IR4Y	3731	37314	0.035
1997-93	V6 3.5L		8IR5L	3728	37284	0.040
<b>Vista</b>						
1992	L4 1.5L		11IR5Y	3733	37334	0.035
1991-90	L4 1.5L		11IR5Y	3733	37334	0.035
1991-90	L4 2.0L		11IR5Y	3733	37334	0.035
1989	L4 2.0L		11IR5Y	3733	37334	0.035
<b>Excalibur</b>						
<b>Phaeton</b>						
1989-86	V8 5.0L		6IR4Y	3720	37204	0.035
1989-86	V8 5.7L		6IR4Y	3720	37204	0.035
1985-80	V8 5.0L		6IR4Y	3720	37204	0.035
1979-72	V8 7.4L		6IR4Y	3720	37204	0.035
1971	V8 5.7L		6IR4Y	3720	37204	0.035
1970	V8 5.7L		15IR5Y	3739	37394	0.035
<b>Ferrari</b>						
<b>275 GT</b>						
1968	V12 3.3L		N/A	N/A	N/A	
<b>275 GTB</b>						
1968-64	V12 3.3L		N/A	N/A	N/A	

Make Model Year	Engine Size	Notes:	Plug Type	MSD PN Single	MSD PN 4-Pack	Pre-Gap Setting**
<b>308 GTB</b>						
1984-82	V8 3.0L		N/A	N/A	N/A	
1980-75	V8 3.0L		N/A	N/A	N/A	
<b>308 GTBi</b>						
1981	V8 3.0L		N/A	N/A	N/A	
<b>308 GTS</b>						
1984-82	V8 3.0L		N/A	N/A	N/A	
1980-77	V8 3.0L		N/A	N/A	N/A	
<b>308 GTSi</b>						
1981	V8 3.0L		N/A	N/A	N/A	
<b>328 GTB</b>						
1989-85	V8 3.2L		N/A	N/A	N/A	
<b>328 GTS</b>						
1989-85	V8 3.2L		N/A	N/A	N/A	
<b>330 GT</b>						
1968	V12 4.0L		N/A	N/A	N/A	
<b>330 GTC</b>						
1968	V12 4.0L		N/A	N/A	N/A	
<b>330 GTS</b>						
1968	V12 4.0L		N/A	N/A	N/A	
<b>348 GTB</b>						
1994-93	V8 3.4L		N/A	N/A	N/A	
<b>348 GTS</b>						
1994-93	V8 3.4L		N/A	N/A	N/A	
<b>348 Spider</b>						
1995-93	V8 3.4L		N/A	N/A	N/A	
<b>348 TB</b>						
1992-90	V8 3.4L		N/A	N/A	N/A	
<b>348 TS</b>						
1992-89	V8 3.4L		N/A	N/A	N/A	
<b>360</b>						
2005	V8 3.6L		N/A	N/A	N/A	
2004	V8 3.6L		N/A	N/A	N/A	
<b>365 GT</b>						
1970-68	V12 4.4L		N/A	N/A	N/A	
<b>365 GT4</b>						
1976	V12 4.4L		N/A	N/A	N/A	
1975	H12 4.4L		N/A	N/A	N/A	
1974-73	V12 4.4L		N/A	N/A	N/A	
<b>365 GT4 BB</b>						
1974	H12 4.4L		N/A	N/A	N/A	
<b>365 GTB/4</b>						
1974-68	V12 4.4L		N/A	N/A	N/A	
<b>365 GTC</b>						
1970-68	V12 4.4L		N/A	N/A	N/A	
<b>365 GTC/4</b>						
1972-71	V12 4.4L		N/A	N/A	N/A	
<b>365 GTS</b>						
1970-68	V12 4.4L		N/A	N/A	N/A	
<b>365 GTS/4</b>						
1974-70	V12 4.4L		N/A	N/A	N/A	
<b>456 GT</b>						
1998-95	V12 5.5L		N/A	N/A	N/A	
<b>456 GTA</b>						
1998-97	V12 5.5L		N/A	N/A	N/A	
<b>456 M</b>						
2001-99	V12 5.5L		N/A	N/A	N/A	
<b>456 M GT</b>						
2004-02	V12 5.5L		N/A	N/A	N/A	
<b>456 M GTA</b>						
2004-02	V12 5.5L		N/A	N/A	N/A	
<b>512 BB</b>						
1981-77	H12 4.9L		N/A	N/A	N/A	

\* Short Style 6 Series - PN 3741 (single), PN 37414 (4pk) - Pre-gapped 0.035  
 \* Short Style 7 Series - PN 3742 (single), PN 37424 (4pk) - Pre-gapped 0.035

CPB's = Coil Plug Boots  
 \*\* Pre-gapped for optimal performance.





Make Model Year	Engine Size	Notes:	Plug Type	MSD PN Single	MSD PN 4-Pack	Pre-Gap Setting**
<b>512 M</b>						
1995	H12 4.9L		N/A	N/A	N/A	
<b>512 TR</b>						
1993-92	H12 4.9L		N/A	N/A	N/A	
<b>550 Maranello</b>						
2002-97	V12 5.5L		N/A	N/A	N/A	
<b>575 M Maranello</b>						
2005-03	V12 5.7L		N/A	N/A	N/A	
<b>599 GTB</b>						
2007	V12 6.0L		N/A	N/A	N/A	
<b>612 Scaglietti</b>						
2006-05	V12 5.7L		N/A	N/A	N/A	
<b>Dino 206 GT</b>						
1969-68	V6 2.0L		N/A	N/A	N/A	
<b>Dino 246 GT</b>						
1973-69	V6 2.4L		N/A	N/A	N/A	
<b>Dino 246 GTS</b>						
1973-72	V6 2.4L		N/A	N/A	N/A	
<b>Dino 308 GT4</b>						
1979-73	V8 3.0L		N/A	N/A	N/A	
<b>Enzo</b>						
2004-03	V12 6.0L		N/A	N/A	N/A	
<b>F40</b>						
1992-90	V8 2.9L		N/A	N/A	N/A	
<b>F50</b>						
1997-96	V12 4.7L		N/A	N/A	N/A	
1995	V12 4.7L		N/A	N/A	N/A	
<b>F355</b>						
2000-99	V8 3.5L		N/A	N/A	N/A	
<b>F355 Berlinetta</b>						
1996-94	V8 3.5L		N/A	N/A	N/A	
<b>F355 F1</b>						
1998	V8 3.5L		N/A	N/A	N/A	
<b>F355 GTS</b>						
1998-96	V8 3.5L		N/A	N/A	N/A	
1995	V8 3.5L		N/A	N/A	N/A	
1994	V8 3.5L		N/A	N/A	N/A	
<b>F355 Spider</b>						
1999	V8 3.5L		N/A	N/A	N/A	
1998-96	V8 3.5L		N/A	N/A	N/A	
<b>F430</b>						
2007-06	V8 4.3L		N/A	N/A	N/A	
<b>GTO</b>						
1987-84	V8 2.9L		N/A	N/A	N/A	
<b>Mondial 3.2</b>						
1988-86	V8 3.2L		N/A	N/A	N/A	
<b>Mondial 8</b>						
1985-80	V8 3.0L		N/A	N/A	N/A	
<b>Mondial t</b>						
1993-89	V8 3.4L		N/A	N/A	N/A	
<b>Testarossa</b>						
1991-85	H12 4.9L		N/A	N/A	N/A	
<b>Fiat</b>						
<b>124</b>						
1981	L4 2.0L		N/A	N/A	N/A	
1980	L4 2.0L CARB		N/A	N/A	N/A	
1980	L4 2.0L FI		N/A	N/A	N/A	
1979	L4 2.0L		N/A	N/A	N/A	
1978-75	L4 1.8L		N/A	N/A	N/A	
1974	L4 1.6L		N/A	N/A	N/A	
1974	L4 1.8L		N/A	N/A	N/A	
1973-71	L4 1.4L		N/A	N/A	N/A	

CPB's = Coil Plug Boots  
 \*\* Pre-gapped for optimal performance.

Make Model Year	Engine Size	Notes:	Plug Type	MSD PN Single	MSD PN 4-Pack	Pre-Gap Setting**
1973-71	L4 1.6L		N/A	N/A	N/A	
1970	L4 1.4L		N/A	N/A	N/A	
1969	L4 1.2L		N/A	N/A	N/A	
1969	L4 1.4L		N/A	N/A	N/A	
1968	L4 1.4L		N/A	N/A	N/A	
1967	L4 1.2L		N/A	N/A	N/A	
<b>128</b>						
1979-74	L4 1.3L		N/A	N/A	N/A	
1973	L4 1.1L		N/A	N/A	N/A	
1973	L4 1.3L		N/A	N/A	N/A	
1972-71	L4 1.1L		N/A	N/A	N/A	
<b>131</b>						
1978-75	L4 1.8L		N/A	N/A	N/A	
<b>850</b>						
1973-72	L4 0.9L		N/A	N/A	N/A	
1971-70	L4 0.8L		N/A	N/A	N/A	
1971-70	L4 0.9L		N/A	N/A	N/A	
1969	L4 0.8L		N/A	N/A	N/A	
1968-67	L4 0.9L		N/A	N/A	N/A	
<b>Brava</b>						
1981-79	L4 2.0L		N/A	N/A	N/A	
<b>Strada</b>						
1982-79	L4 1.5L		N/A	N/A	N/A	
<b>X-1/9</b>						
1983	L4 1.5L		N/A	N/A	N/A	
1983	L4 2.0L		N/A	N/A	N/A	
1982-79	L4 1.5L		N/A	N/A	N/A	
1978-74	L4 1.3L		N/A	N/A	N/A	
<b>Ford</b>						
<b>Aerostar</b>						
1997	V6 3.0L		1IR5Y	3713	37134	0.043
1997	V6 4.0L		1IR5Y	3713	37134	0.043
1996	V6 3.0L		1IR5Y	3713	37134	0.043
1996	V6 4.0L		1IR5Y	3713	37134	0.043
1995	V6 3.0L		1IR5Y	3713	37134	0.043
1995	V6 4.0L		1IR5Y	3713	37134	0.043
1994-91	V6 3.0L		1IR5Y	3713	37134	0.043
1994-91	V6 4.0L		1IR5Y	3713	37134	0.043
1990	V6 3.0L		1IR5Y	3713	37134	0.043
1990	V6 4.0L		1IR5Y	3713	37134	0.043
1989-88	V6 3.0L		1IR5Y	3713	37134	0.043
1987	L4 2.3L		2IR5L	3715	37154	0.043
1987	V6 3.0L		1IR5Y	3713	37134	0.043
1986	L4 2.3L		2IR5L	3715	37154	0.043
1986	V6 2.8L		1IR5Y	3713	37134	0.043
1986	V6 3.0L		1IR5Y	3713	37134	0.043
<b>Aspire</b>						
1997	L4 1.3L		N/A	N/A	N/A	
1996-94	L4 1.3L		N/A	N/A	N/A	
<b>Bronco</b>						
1996-93	V8 5.0L		6IR4Y	3720	37204	0.035
1996-93	V8 5.8L		6IR5Y	3722	37224	0.035
1992-89	L6 4.9L		16IR5Y	3744	37444	0.035
1992-89	V8 5.0L		6IR4Y	3720	37204	0.035
1992-89	V8 5.8L		6IR5Y	3722	37224	0.035
1988-87	L6 4.9L		16IR5Y	3744	37444	0.035
1988-87	V8 5.0L		6IR4Y	3720	37204	0.035
1988-87	V8 5.8L		6IR5Y	3722	37224	0.035
1986	L6 4.9L		16IR5Y	3744	37444	0.035
1986	V8 5.0L		6IR4Y	3720	37204	0.035
1986	V8 5.8L		6IR5Y	3722	37224	0.035
1985	L6 4.9L		16IR5Y	3744	37444	0.035
1985	V8 5.0L		6IR4Y	3720	37204	0.035
1985	V8 5.8L Vm G		6IR4Y	3720	37204	0.035
1985	V8 5.8L Vm H		6IR5Y	3722	37224	0.035
1984	L6 4.9L		16IR5Y	3744	37444	0.035
1984	V8 5.0L		6IR5Y	3722	37224	0.035

\* Short Style 6 Series - PN 3741 (single), PN 37414 (4pk) - Pre-gapped 0.035  
 \* Short Style 7 Series - PN 3742 (single), PN 37424 (4pk) - Pre-gapped 0.035

E  
F



**Ford Bronco continued**

Make Model Year	Engine Size	Notes:	Plug Type	MSD PN Single	MSD PN 4-Pack	Pre-Gap Setting**
1984	V8 5.8L	Vin G	6IR4Y	3720	37204	0.035
1984	V8 5.8L	Vin H	6IR5Y	3722	37224	0.035
1983-80	L6 4.9L		16IR5Y	3744	37444	0.035
1983-80	V8 5.0L		6IR5Y	3722	37224	0.035
1983-80	V8 5.8L		6IR4Y	3720	37204	0.035
1979-78	V8 5.8L		6IR4Y	3720	37204	0.035
1979-78	V8 6.6L		6IR4Y	3720	37204	0.035
1977-76	V8 5.0L		6IR4Y	3720	37204	0.035
1975	V8 5.0L		6IR5Y	3722	37224	0.035
1974-73	L6 3.3L		16IR5Y	3744	37444	0.035
1974-73	V8 5.0L		16IR5Y	3744	37444	0.035
1972	L6 2.8L		16IR5Y	3744	37444	0.035
1972	V8 5.0L		16IR5Y	3744	37444	0.035
1971-69	L6 2.8L		16IR5Y	3744	37444	0.035
1971-69	V8 5.0L		16IR5Y	3744	37444	0.035
1968	L6 2.8L		16IR5Y	3744	37444	0.035
1968	V8 4.7L		16IR5Y	3744	37444	0.035
1968	V8 5.0L		16IR5Y	3744	37444	0.035
1967	L6 2.8L		16IR5Y	3744	37444	0.035
1967	L6 3.9L		16IR5Y	3744	37444	0.035
1967	V8 4.7L		16IR5Y	3744	37444	0.035
1966	L6 2.8L		16IR5Y	3744	37444	0.035
1966	V8 4.7L		N/A	N/A	N/A	
<b>Bronco II</b>						
1990-86	V6 2.9L		1IR5Y	3713	37134	0.043
1985-84	V6 2.8L		1IR5Y	3713	37134	0.043
<b>Club</b>						
1964	L6 3.6L		16IR5Y	3744	37444	0.035
1964	V8 4.3L		16IR5Y	3744	37444	0.035
1964	V8 4.7L		16IR5Y	3744	37444	0.035
1964	V8 5.8L		16IR5Y	3744	37444	0.035
1964	V8 6.4L		16IR5Y	3744	37444	0.035
1963	L6 3.3L		16IR5Y	3744	37444	0.035
1963	L6 3.6L		16IR5Y	3744	37444	0.035
1963	V8 4.3L		16IR5Y	3744	37444	0.035
1963	V8 4.7L		16IR5Y	3744	37444	0.035
1963	V8 6.4L		16IR5Y	3744	37444	0.035
1962	L6 3.6L		16IR5Y	3744	37444	0.035
1962	V8 4.8L		16IR5Y	3744	37444	0.035
1962	V8 6.4L		16IR5Y	3744	37444	0.035
1961-58	L6 3.6L		16IR5Y	3744	37444	0.035
1961-58	V8 4.8L		16IR5Y	3744	37444	0.035
1961-58	V8 5.8L		16IR5Y	3744	37444	0.035
1957-55	L6 3.6L		16IR5Y	3744	37444	0.035
1957-55	V8 4.4L		16IR5Y	3744	37444	0.035
1953	L6 3.5L		15IR6	3740	37404	0.032
1953	V8 3.7L		15IR6	3740	37404	0.032
1953	V8 3.9L		15IR6	3740	37404	0.032
<b>Club Wagon</b>						
1967	L6 3.9L		16IR5Y	3744	37444	0.035
1965	L6 2.8L		16IR5Y	3744	37444	0.035
1964-63	L6 2.4L		16IR5Y	3744	37444	0.035
1964-63	L6 2.8L		16IR5Y	3744	37444	0.035
1962	L6 2.4L		16IR5Y	3744	37444	0.035
<b>Contour</b>						
2000	L4 2.0L		5IR5Y	3719	37194	0.040
2000	V6 2.5L		1IR5Y	3713	37134	0.043
1999	L4 2.0L	From 5/3/99	5IR5Y	3719	37194	0.040
1999	V6 2.5L		1IR5Y	3713	37134	0.043
1998	L4 2.0L		5IR5Y	3719	37194	0.040
1998	V6 2.5L	Vin G	1IR5Y	3713	37134	0.043
1998	V6 2.5L	Vin L	1IR5Y	3713	37134	0.043
1997	L4 2.0L		5IR5Y	3719	37194	0.040
1997	V6 2.5L		1IR5Y	3713	37134	0.043
1996-95	L4 2.0L		5IR5Y	3719	37194	0.040
1996-95	V6 2.5L		1IR5Y	3713	37134	0.043

Make Model Year	Engine Size	Notes:	Plug Type	MSD PN Single	MSD PN 4-Pack	Pre-Gap Setting**
<b>Country Sedan</b>						
1974	V8 5.8L	Cleveland Engine	6IR4Y	3720	37204	0.035
1974	V8 5.8L	Windsor Engine	16IR5Y	3744	37444	0.035
1974	V8 6.6L		6IR4Y	3720	37204	0.035
1974	V8 7.5L		6IR4Y	3720	37204	0.035
1973	V8 5.8L	Cleveland Engine	6IR4Y	3720	37204	0.035
1973	V8 5.8L	Windsor Engine	16IR5Y	3744	37444	0.035
1973	V8 6.6L		6IR4Y	3720	37204	0.035
1973	V8 7.0L		6IR4Y	3720	37204	0.035
1973	V8 7.5L		6IR4Y	3720	37204	0.035
1972	V8 5.0L		16IR5Y	3744	37444	0.035
1972	V8 5.8L	Cleveland Engine	6IR4Y	3720	37204	0.035
1972	V8 5.8L	Windsor Engine	16IR5Y	3744	37444	0.035
1972	V8 6.6L		16IR5Y	3744	37444	0.035
1972	V8 7.0L	14mm Heads	6IR4Y	3720	37204	0.035
1972	V8 7.0L	18mm Heads	16IR5Y	3744	37444	0.035
1972	V8 7.5L		6IR4Y	3720	37204	0.035
1971	V8 5.0L		16IR5Y	3744	37444	0.035
1971	V8 5.8L	Cleveland Engine	6IR4Y	3720	37204	0.035
1971	V8 5.8L	Windsor Engine	16IR5Y	3744	37444	0.035
1971	V8 6.4L		16IR5Y	3744	37444	0.035
1971	V8 6.6L		16IR5Y	3744	37444	0.035
1971	V8 7.0L	14mm Heads	6IR4Y	3720	37204	0.035
1971	V8 7.0L	18mm Heads	16IR5Y	3744	37444	0.035
1970	L6 3.9L		16IR5Y	3744	37444	0.035
1970	V8 5.8L	Cleveland En cline	6IR4Y	3720	37204	0.035
1970	V8 5.8L	Windsor Engine	16IR5Y	3744	37444	0.035
1970	V8 6.4L		16IR5Y	3744	37444	0.035
1970	V8 7.0L	Vin K, 14mm Heads	6IR4Y	3720	37204	0.035
1970	V8 7.0L	Vin K, 18mm Heads	16IR5Y	3744	37444	0.035
1970	V6 7.0L	Vin N, 14mm Heads	6IR4Y	3720	37204	0.035
1970	V8 7.0L	Vin N, 18mm Heads	16IR5Y	3744	37444	0.035
1970	V8 7.0L	Vin P	16IR5Y	3744	37444	0.035
1969	L6 3.9L		16IR5Y	3744	37444	0.035
1969	V8 5.0L		16IR5Y	3744	37444	0.035
1969	V8 5.8L		16IR5Y	3744	37444	0.035
1969	V8 6.4L		16IR5Y	3744	37444	0.035
1969	V8 7.0L		16IR5Y	3744	37444	0.035
1968	V8 5.0L		16IR5Y	3744	37444	0.035
1968	V8 6.4L		16IR5Y	3744	37444	0.035
1968	V8 7.0L	Vin P	16IR5Y	3744	37444	0.035
1967	L6 3.9L		16IR5Y	3744	37444	0.035
1967	V8 4.7L		16IR5Y	3744	37444	0.035
1967	V8 5.8L		16IR5Y	3744	37444	0.035
1967	V8 6.4L		16IR5Y	3744	37444	0.035
1966	L6 3.3L		16IR5Y	3744	37444	0.035
1966	L6 3.9L		16IR5Y	3744	37444	0.035
1966	V8 4.7L		16IR5Y	3744	37444	0.035
1966	V8 5.8L		16IR5Y	3744	37444	0.035
1966	V8 6.4L		16IR5Y	3744	37444	0.035
1966	V8 7.0L		16IR5Y	3744	37444	0.035
1965	L6 2.8L		16IR5Y	3744	37444	0.035
1965	L6 3.3L		16IR5Y	3744	37444	0.035
1965	L6 3.9L		16IR5Y	3744	37444	0.035
1965	V8 4.7L		16IR5Y	3744	37444	0.035
1965	V8 5.8L		16IR5Y	3744	37444	0.035
1965	V8 6.4L		16IR5Y	3744	37444	0.035
1965	V8 7.0L		16IR5Y	3744	37444	0.035
1964	L6 2.8L		16IR5Y	3744	37444	0.035
1964	L6 3.3L		16IR5Y	3744	37444	0.035
1964	L6 3.6L		16IR5Y	3744	37444	0.035
1964	V8 4.3L		16IR5Y	3744	37444	0.035
1964	V8 4.7L		16IR5Y	3744	37444	0.035
1964	V8 5.8L		16IR5Y	3744	37444	0.035
1964	V8 6.4L		16IR5Y	3744	37444	0.035
1964	V8 7.0L		16IR5Y	3744	37444	0.035
1963	L6 2.8L		16IR5Y	3744	37444	0.035
1963	L6 3.3L		16IR5Y	3744	37444	0.035
1963	L6 3.6L		16IR5Y	3744	37444	0.035
1963	V8 4.3L		16IR5Y	3744	37444	0.035
1963	V8 4.7L		16IR5Y	3744	37444	0.035

\* Short Style 6 Series - PN 3741 (single), PN 37414 (4pk) - Pre-gapped 0.035  
 \* Short Style 7 Series - PN 3742 (single), PN 37424 (4pk) - Pre-gapped 0.035

CPB's = Coil Plug Boots  
 \*\* Pre-gapped for optimal performance.



Make Model Year	Engine Size	Notes:	Plug Type	MSD PN Single	MSD PN 4-Pack	Pre-Gap Setting**
1963	V8 6.4L		16IR5Y	3744	37444	0.035
1962	L6 2.4L		16IR5Y	3744	37444	0.035
1962	L6 3.6L		16IR5Y	3744	37444	0.035
1962	V8 4.8L		16IR5Y	3744	37444	0.035
1962	V8 6.4L		16IR5Y	3744	37444	0.035
1961-60	L6 3.6L		16IR5Y	3744	37444	0.035
1961-60	V8 4.8L		16IR5Y	3744	37444	0.035
1961-60	V8 5.8L		16IR5Y	3744	37444	0.035
1959-58	L6 3.6L		16IR5Y	3744	37444	0.035
1959-58	V8 4.8L		16IR5Y	3744	37444	0.035
1959-58	V8 5.4L		16IR5Y	3744	37444	0.035
1959-58	V8 5.8L		16IR5Y	3744	37444	0.035
1957-55	L6 3.6L		16IR5Y	3744	37444	0.035
1957-55	V8 4.4L		16IR5Y	3744	37444	0.035
1954	L6 3.6L		15IR6	3740	37404	0.032
1954	V8 3.9L		15IR6	3740	37404	0.032
1954	V8 4.2L		15IR6	3740	37404	0.032
1953	L6 3.5L		15IR6	3740	37404	0.032
1953	V8 3.7L		15IR6	3740	37404	0.032
1953	V8 3.9L		15IR6	3740	37404	0.032
1952	L6 3.5L		15IR6	3740	37404	0.032
1952	V8 3.9L		15IR6	3740	37404	0.032
1951-50	L6 3.7L		15IR6	3740	37404	0.032
1951-50	V8 3.9L		15IR6	3740	37404	0.032
<b>Country Squire</b>						
1991-87	V8 5.0L		2IR5L	3715	37154	0.043
1974	V8 5.8L	Cleveland Engine	6IR4Y	3720	37204	0.035
1974	V8 5.8L	Windsor Engine	16IR5Y	3744	37444	0.035
1974	V8 6.6L		6IR4Y	3720	37204	0.035
1974	V8 7.5L		6IR4Y	3720	37204	0.035
1973	V8 5.8L	Cleveland Engine	6IR4Y	3720	37204	0.035
1973	V8 5.8L	Windsor Engine	16IR5Y	3744	37444	0.035
1973	V8 6.6L		6IR4Y	3720	37204	0.035
1973	V8 7.0L		6IR4Y	3720	37204	0.035
1973	V8 7.5L		6IR4Y	3720	37204	0.035
1972	V8 5.0L		16IR5Y	3744	37444	0.035
1972	V8 5.8L	Cleveland Engine	6IR4Y	3720	37204	0.035
1972	V8 5.8L	Windsor Engine	16IR5Y	3744	37444	0.035
1972	V8 6.6L		16IR5Y	3744	37444	0.035
1972	V8 7.0L	14mm Heads	6IR4Y	3720	37204	0.035
1972	V8 7.0L	18mm Heads	16IR5Y	3744	37444	0.035
1972	V8 7.5L		6IR4Y	3720	37204	0.035
1971	V8 5.0L		16IR5Y	3744	37444	0.035
1971	V8 5.8L	Cleveland Engine	6IR4Y	3720	37204	0.035
1971	V8 5.8L	Windsor Engine	16IR5Y	3744	37444	0.035
1971	V8 6.4L		16IR5Y	3744	37444	0.035
1971	V8 6.6L		16IR5Y	3744	37444	0.035
1971	V8 7.0L	14mm Heads	6IR4Y	3720	37204	0.035
1971	V8 7.0L	18mm Heads	16IR5Y	3744	37444	0.035
1970	V8 5.0L		16IR5Y	3744	37444	0.035
1970	V8 5.8L	Cleveland Engine	6IR4Y	3720	37204	0.035
1970	V8 5.8L	Windsor Engine	16IR5Y	3744	37444	0.035
1970	V8 6.4L		16IR5Y	3744	37444	0.035
1970	V8 7.0L	Vin K, 14mm Heads	6IR4Y	3720	37204	0.035
1970	V8 7.0L	Vin K, 18mm Heads	16IR5Y	3744	37444	0.035
1970	V8 7.0L	Vin N, 14mm Heads	6IR4Y	3720	37204	0.035
1970	V8 7.0L	Vin N, 18mm Heads	16IR5Y	3744	37444	0.035
1969	V8 5.0L		16IR5Y	3744	37444	0.035
1969	V8 5.8L		16IR5Y	3744	37444	0.035
1969	V8 6.4L		16IR5Y	3744	37444	0.035
1969	V8 7.0L		16IR5Y	3744	37444	0.035
1968	V8 5.0L		16IR5Y	3744	37444	0.035
1968	V8 6.4L		16IR5Y	3744	37444	0.035
1968	V8 7.0L		16IR5Y	3744	37444	0.035
1967	L6 3.9L		16IR5Y	3744	37444	0.035
1967	V8 4.7L		16IR5Y	3744	37444	0.035
1967	V8 5.8L		16IR5Y	3744	37444	0.035
1966	L6 3.3L		16IR5Y	3744	37444	0.035
1966	L6 3.9L		16IR5Y	3744	37444	0.035
1966	V8 4.7L		16IR5Y	3744	37444	0.035
1966	V8 5.8L		16IR5Y	3744	37444	0.035

CPB's = Coil Plug Boots  
 \*\* Pre-gapped for optimal performance.

Make Model Year	Engine Size	Notes:	Plug Type	MSD PN Single	MSD PN 4-Pack	Pre-Gap Setting**
1966	V8 7.0L		16IR5Y	3744	37444	0.035
1965	L6 2.8L		16IR5Y	3744	37444	0.035
1965	L6 3.3L		16IR5Y	3744	37444	0.035
1965	L6 3.9L		16IR5Y	3744	37444	0.035
1965	V8 4.7L		16IR5Y	3744	37444	0.035
1965	V8 5.8L		16IR5Y	3744	37444	0.035
1964	L6 2.8L		16IR5Y	3744	37444	0.035
1964	L6 3.3L		16IR5Y	3744	37444	0.035
1964	L6 3.6L		16IR5Y	3744	37444	0.035
1964	V8 4.3L		16IR5Y	3744	37444	0.035
1964	V8 4.7L		16IR5Y	3744	37444	0.035
1964	V8 5.8L		16IR5Y	3744	37444	0.035
1964	V8 6.4L		16IR5Y	3744	37444	0.035
1964	V8 7.0L		16IR5Y	3744	37444	0.035
1963	L6 2.8L		16IR5Y	3744	37444	0.035
1963	L6 3.3L		16IR5Y	3744	37444	0.035
1963	L6 3.6L		16IR5Y	3744	37444	0.035
1963	V8 4.3L		16IR5Y	3744	37444	0.035
1963	V8 4.7L		16IR5Y	3744	37444	0.035
1963	V8 6.4L		16IR5Y	3744	37444	0.035
1962	L6 2.4L		16IR5Y	3744	37444	0.035
1962	L6 3.6L		16IR5Y	3744	37444	0.035
1962	V8 4.8L		16IR5Y	3744	37444	0.035
1962	V8 6.4L		16IR5Y	3744	37444	0.035
1961-60	L6 3.6L		16IR5Y	3744	37444	0.035
1961-60	V8 4.8L		16IR5Y	3744	37444	0.035
1961-60	V8 5.8L		16IR5Y	3744	37444	0.035
1959-58	L6 3.6L		16IR5Y	3744	37444	0.035
1959-58	V8 4.8L		16IR5Y	3744	37444	0.035
1959-58	V8 5.4L		16IR5Y	3744	37444	0.035
1959-58	V8 5.8L		16IR5Y	3744	37444	0.035
1957-55	L6 3.6L		16IR5Y	3744	37444	0.035
1957-55	V8 4.4L		16IR5Y	3744	37444	0.035
1954	L6 3.6L		15IR6	3740	37404	0.032
1954	V8 3.9L		15IR6	3740	37404	0.032
1953	L6 3.5L		15IR6	3740	37404	0.032
1953	V8 3.7L		15IR6	3740	37404	0.032
1953	V8 3.9L		15IR6	3740	37404	0.032
1952	L6 3.5L		15IR6	3740	37404	0.032
1951-50	L6 3.7L		15IR6	3740	37404	0.032
1951-50	V8 3.9L		15IR6	3740	37404	0.032
<b>Courier</b>						
1982	L4 2.0L		1IR5Y	3713	37134	0.043
1982	L4 2.3L		1IR5Y	3713	37134	0.043
1981	L4 2.0L		11IR5Y	3733	37334	0.035
1981	L4 2.3L		1IR5Y	3713	37134	0.043
1980	L4 2.3L		1IR5Y	3713	37134	0.043
1979	L4 1.8L		11IR5Y	3733	37334	0.035
1979	L4 2.0L		11IR5Y	3733	37334	0.035
1979	L4 2.3L		1IR5Y	3713	37134	0.043
1978-77	L4 1.8L		11IR5Y	3733	37334	0.035
1978-77	L4 2.3L		1IR5Y	3713	37134	0.043
1976-72	L4 1.8L		11IR5Y	3733	37334	0.035
<b>Courier Sedan Delivery</b>						
1960-59	L6 3.6L		16IR5Y	3744	37444	0.035
1958	L6 3.6L		16IR5Y	3744	37444	0.035
1958	V8 5.8L		N/A	N/A	N/A	
1957	L6 3.6L		16IR5Y	3744	37444	0.035
1957	V8 4.4L		N/A	N/A	N/A	
1957	V8 4.8L		N/A	N/A	N/A	
1957	V8 5.8L		N/A	N/A	N/A	
1956	L6 3.6L		16IR5Y	3744	37444	0.035
1956	V8 4.4L		16IR5Y	3744	37444	0.035
1955	L6 3.6L		16IR5Y	3744	37444	0.035
1954	L6 3.6L		15IR6	3740	37404	0.032
1954	V8 3.9L		15IR6	3740	37404	0.032

\* Short Style 6 Series - PN 3741 (single), PN 37414 (4pk) - Pre-gapped 0.035  
 \* Short Style 7 Series - PN 3742 (single), PN 37424 (4pk) - Pre-gapped 0.035



## Ford Crestline

Make Model Year	Engine Size	Notes:	Plug Type	MSD PN Single	MSD PN 4-Pack	Pre-Gap Setting**
<b>Crestline</b>						
1954	L6 3.6L		15IR6	3740	37404	0.032
1954	V8 3.9L		15IR6	3740	37404	0.032
1954	V8 4.2L		15IR6	3740	37404	0.032
1953	V8 3.7L		15IR6	3740	37404	0.032
1953	V8 3.9L		15IR6	3740	37404	0.032
1952-50	V8 3.9L		15IR6	3740	37404	0.032
<b>Crown Victoria</b>						
2011	V8 4.6L		11R5Y	3713	37134	0.043
2010	V8 4.6L	8 CPBs Req	11R5Y	3713	37134	0.043
2009	V8 4.6L	8 CPBs Req	11R5Y	3713	37134	0.043
2008	V8 4.6L	FLEX, 8 CPBs Req	11R5Y	3713	37134	0.043
2008	V8 4.6L	GAS, 8 CPBs Req	11R5Y	3713	37134	0.043
2007	V8 4.6L	FLEX, 8 CPBs Req	11R5Y	3713	37134	0.043
2007	V8 4.6L	GAS, 8 CPBs Req	11R5Y	3713	37134	0.043
2006	V8 4.6L	FLEX, 8 CPBs Req	11R5Y	3713	37134	0.043
2006	V8 4.6L	GAS, 8 CPBs Req	11R5Y	3713	37134	0.043
2005	V8 4.6L	CNG, 8 CPBs Req	11R6Y	3714	37144	0.043
2005	V8 4.6L	GAS, 8 CPBs Req	11R5Y	3713	37134	0.043
2004	V8 4.6L	CNG, 8 CPBs Req	11R6Y	3714	37144	0.043
2004	V8 4.6L	GAS, 8 CPBs Req	11R5Y	3713	37134	0.043
2003-99	V8 4.6L	CNG, 8 CPBs Req	11R6Y	3714	37144	0.043
2003-99	V8 4.6L	GAS, 8 CPBs Req	11R5Y	3713	37134	0.043
1998	V8 4.6L	CNG, w/Dir Ign; 8 CPBs Req	11R6Y	3714	37144	0.043
1998	V8 4.6L	GAS, w/Dir Ign; 8 CPBs Req	11R5Y	3713	37134	0.043
1997-96	V8 4.6L	CNG	11R6Y	3714	37144	0.043
1997-96	V8 4.6L	GAS	11R5Y	3713	37134	0.043
1995	V8 4.6L		11R5Y	3713	37134	0.043
1994-92	V8 4.6L		11R5Y	3713	37134	0.043
<b>Custom</b>						
1972	L6 3.9L		16IR5Y	3744	37444	0.035
1972	V8 5.0L		16IR5Y	3744	37444	0.035
1972	V8 5.8L	Cleveland Engine	6IR4Y	3720	37204	0.035
1972	V8 5.8L	Windsor Engine	16IR5Y	3744	37444	0.035
1972	V8 6.6L		16IR5Y	3744	37444	0.035
1972	V8 7.0L	14mm Heads	6IR4Y	3720	37204	0.035
1972	V8 7.0L	18mm Heads	16IR5Y	3744	37444	0.035
1971	L6 3.9L		16IR5Y	3744	37444	0.035
1971	V8 5.0L		16IR5Y	3744	37444	0.035
1971	V8 5.8L	Cleveland Engine	6IR4Y	3720	37204	0.035
1971	V8 5.8L	Windsor Engine	16IR5Y	3744	37444	0.035
1971	V8 6.4L		16IR5Y	3744	37444	0.035
1971	V8 6.6L		16IR5Y	3744	37444	0.035
1971	V8 7.0L	14mm Heads	6IR4Y	3720	37204	0.035
1971	V8 7.0L	18mm Heads	16IR5Y	3744	37444	0.035
1970	L6 3.9L		16IR5Y	3744	37444	0.035
1970	V8 5.0L		16IR5Y	3744	37444	0.035
1970	V8 5.8L	Cleveland Engine	6IR4Y	3720	37204	0.035
1970	V8 5.8L	Windsor Engine	16IR5Y	3744	37444	0.035
1970	V8 6.4L		16IR5Y	3744	37444	0.035
1970	V8 7.0L	14mm Heads	6IR4Y	3720	37204	0.035
1970	V8 7.0L	18mm Heads	16IR5Y	3744	37444	0.035
1969	L6 3.9L		16IR5Y	3744	37444	0.035
1969	V8 5.0L		16IR5Y	3744	37444	0.035
1969	V8 5.8L		16IR5Y	3744	37444	0.035
1969	V8 6.4L		16IR5Y	3744	37444	0.035
1969	V8 7.0L		16IR5Y	3744	37444	0.035
1968	L6 3.9L		16IR5Y	3744	37444	0.035
1968	V8 5.0L		16IR5Y	3744	37444	0.035
1968	V8 6.4L		16IR5Y	3744	37444	0.035
1968	V8 7.0L		16IR5Y	3744	37444	0.035
1967	V8 4.7L		16IR5Y	3744	37444	0.035
1967	V8 5.8L		16IR5Y	3744	37444	0.035
1967	V8 6.4L		16IR5Y	3744	37444	0.035
1966	V8 4.7L		16IR5Y	3744	37444	0.035
1966	V8 5.8L		16IR5Y	3744	37444	0.035
1966	V8 6.4L		16IR5Y	3744	37444	0.035
1966	V8 7.0L		16IR5Y	3744	37444	0.035
1965	V8 4.7L		16IR5Y	3744	37444	0.035
1965	V8 5.8L		16IR5Y	3744	37444	0.035

Make Model Year	Engine Size	Notes:	Plug Type	MSD PN Single	MSD PN 4-Pack	Pre-Gap Setting**
1965	V8 6.4L		16IR5Y	3744	37444	0.035
1964	L6 3.6L		16IR5Y	3744	37444	0.035
1964	V8 4.3L		16IR5Y	3744	37444	0.035
1964	V8 5.8L		16IR5Y	3744	37444	0.035
1964	V8 6.4L		16IR5Y	3744	37444	0.035
1957	L6 3.6L		16IR5Y	3744	37444	0.035
1957	V8 4.4L		16IR5Y	3744	37444	0.035
1957	V8 4.8L		16IR5Y	3744	37444	0.035
1952	L6 3.5L		15IR6	3740	37404	0.032
1952	V8 3.9L		15IR6	3740	37404	0.032
1951-50	L6 3.7L		15IR6	3740	37404	0.032
1951-50	V8 3.9L		15IR6	3740	37404	0.032
<b>Custom 300</b>						
1960	V8 5.8L		16IR5Y	3744	37444	0.035
1959	L6 3.6L		16IR5Y	3744	37444	0.035
1959	V8 4.8L		16IR5Y	3744	37444	0.035
1959	V8 5.4L		16IR5Y	3744	37444	0.035
1959	V8 5.8L		16IR5Y	3744	37444	0.035
1958	L6 3.6L		16IR5Y	3744	37444	0.035
1958	V8 4.8L		16IR5Y	3744	37444	0.035
1958	V8 5.4L		16IR5Y	3744	37444	0.035
<b>Custom 500</b>						
1977	V8 5.8L		6IR4Y	3720	37204	0.035
1977	V8 6.6L	California	6IR4Y	3720	37204	0.035
1977	V8 6.6L	Non-California	6IR4Y	3720	37204	0.035
1976-75	V8 5.8L		6IR4Y	3720	37204	0.035
1976-75	V8 6.6L		6IR4Y	3720	37204	0.035
1976-75	V8 7.5L		6IR4Y	3720	37204	0.035
1974	V8 5.8L	Cleveland Engine	6IR4Y	3720	37204	0.035
1974	V8 5.8L	Windsor Engine	16IR5Y	3744	37444	0.035
1974	V8 6.6L		6IR4Y	3720	37204	0.035
1974	V8 7.5L		6IR4Y	3720	37204	0.035
1973	V8 5.8L	Cleveland Engine	6IR4Y	3720	37204	0.035
1973	V8 5.8L	Windsor Engine	16IR5Y	3744	37444	0.035
1973	V8 6.6L		6IR4Y	3720	37204	0.035
1973	V8 7.0L		6IR4Y	3720	37204	0.035
1973	V8 7.5L		6IR4Y	3720	37204	0.035
1972	L6 3.9L		16IR5Y	3744	37444	0.035
1972	V8 5.0L		16IR5Y	3744	37444	0.035
1972	V8 5.8L	Cleveland Engine	6IR4Y	3720	37204	0.035
1972	V8 5.8L	Windsor Engine	16IR5Y	3744	37444	0.035
1972	V8 6.6L	14mm Heads	6IR4Y	3720	37204	0.035
1972	V8 6.6L	18mm Heads	16IR5Y	3744	37444	0.035
1972	V8 7.0L	14mm Heads	6IR4Y	3720	37204	0.035
1972	V8 7.0L	18mm Heads	16IR5Y	3744	37444	0.035
1971	L6 3.9L		16IR5Y	3744	37444	0.035
1971	V8 5.0L		16IR5Y	3744	37444	0.035
1971	V8 5.8L	Cleveland Engine	6IR4Y	3720	37204	0.035
1971	V8 5.8L	Windsor Engine	16IR5Y	3744	37444	0.035
1971	V8 6.4L		16IR5Y	3744	37444	0.035
1971	V8 6.6L		16IR5Y	3744	37444	0.035
1971	V8 7.0L	14mm Heads	6IR4Y	3720	37204	0.035
1971	V8 7.0L	18mm Heads	16IR5Y	3744	37444	0.035
1970	L6 3.9L		16IR5Y	3744	37444	0.035
1970	V8 5.0L		16IR5Y	3744	37444	0.035
1970	V8 5.8L	Cleveland Engine	6IR4Y	3720	37204	0.035
1970	V8 5.8L	Windsor Engine	16IR5Y	3744	37444	0.035
1970	V8 6.4L		16IR5Y	3744	37444	0.035
1970	V8 6.6L		16IR5Y	3744	37444	0.035
1970	V8 7.0L	14mm Heads	6IR4Y	3720	37204	0.035
1970	V8 7.0L	18mm Heads	16IR5Y	3744	37444	0.035
1970	V8 7.0L	18mm Heads	16IR5Y	3744	37444	0.035
1970	L6 3.9L		16IR5Y	3744	37444	0.035
1970	V8 5.0L		16IR5Y	3744	37444	0.035
1970	V8 5.8L	Cleveland Engine	6IR4Y	3720	37204	0.035
1970	V8 5.8L	Windsor Engine	16IR5Y	3744	37444	0.035
1970	V8 6.4L		16IR5Y	3744	37444	0.035
1970	V8 6.6L		16IR5Y	3744	37444	0.035
1970	V8 7.0L	14mm Heads	6IR4Y	3720	37204	0.035
1970	V8 7.0L	18mm Heads	16IR5Y	3744	37444	0.035
1969	L6 3.9L		16IR5Y	3744	37444	0.035
1969	V8 5.0L		16IR5Y	3744	37444	0.035
1969	V8 5.8L		16IR5Y	3744	37444	0.035
1969	V8 6.4L		16IR5Y	3744	37444	0.035
1969	V8 7.0L		16IR5Y	3744	37444	0.035
1968	L6 3.9L		16IR5Y	3744	37444	0.035
1968	V8 5.0L		16IR5Y	3744	37444	0.035
1968	V8 6.4L		16IR5Y	3744	37444	0.035
1968	V8 7.0L		16IR5Y	3744	37444	0.035
1967	V8 4.7L		16IR5Y	3744	37444	0.035
1967	V8 5.8L		16IR5Y	3744	37444	0.035
1967	V8 6.4L		16IR5Y	3744	37444	0.035
1966	V8 4.7L		16IR5Y	3744	37444	0.035
1966	V8 5.8L		16IR5Y	3744	37444	0.035
1966	V8 6.4L		16IR5Y	3744	37444	0.035
1966	V8 7.0L		16IR5Y	3744	37444	0.035
1965	V8 4.7L		16IR5Y	3744	37444	0.035
1965	V8 5.8L		16IR5Y	3744	37444	0.035

\* Short Style 6 Series - PN 3741 (single), PN 37414 (4pk) - Pre-gapped 0.035  
 \* Short Style 7 Series - PN 3742 (single), PN 37424 (4pk) - Pre-gapped 0.035

CPB's = Coil Plug Boots  
 \*\* Pre-gapped for optimal performance.





Make Model Year	Engine Size	Notes:	Plug Type	MSD PN Single	MSD PN 4-Pack	Pre-Gap Setting**
<b>Customline</b>						
1956	L6 3.6L		16IR5Y	3744	37444	0.035
1956	V8 4.4L		16IR5Y	3744	37444	0.035
1955	L6 3.6L		16IR5Y	3744	37444	0.035
1955	V8 4.4L		16IR5Y	3744	37444	0.035
1954	L6 3.6L		15IR6	3740	37404	0.032
1954	V8 3.9L		15IR6	3740	37404	0.032
1954	V8 4.2L		15IR6	3740	37404	0.032
1953	L6 3.5L		15IR6	3740	37404	0.032
1953	V8 3.7L		15IR6	3740	37404	0.032
1953	V8 3.9L		15IR6	3740	37404	0.032
1952	L6 3.5L		15IR6	3740	37404	0.032
1952	V8 3.9L		15IR6	3740	37404	0.032
<b>Del Rio Wagon</b>						
1958	L6 3.6L		16IR5Y	3744	37444	0.035
1958	V8 4.8L		16IR5Y	3744	37444	0.035
1958	V8 5.4L		16IR5Y	3744	37444	0.035
1958	V8 5.8L		16IR5Y	3744	37444	0.035
1957	L6 3.6L		16IR5Y	3744	37444	0.035
1957	V8 4.4L		16IR5Y	3744	37444	0.035
1957	V8 4.8L		16IR5Y	3744	37444	0.035
1957	V8 5.1L		16IR5Y	3744	37444	0.035
<b>Deluxe</b>						
1951-49	L6 3.7L		15IR6	3740	37404	0.032
1951-49	V8 3.9L		15IR6	3740	37404	0.032
<b>E-100 Econoline</b>						
1983	L6 4.9L		16IR5Y	3744	37444	0.035
1983	V8 5.0L		6IR4Y	3720	37204	0.035
1983	V8 5.8L		6IR4Y	3720	37204	0.035
1982	L6 4.9L	Vin E	16IR5Y	3744	37444	0.035
1982	V8 5.0L		6IR5Y	3722	37224	0.035
1982	V8 5.8L		6IR4Y	3720	37204	0.035
1981	L6 4.9L		16IR5Y	3744	37444	0.035
1981	V8 5.0L		6IR5Y	3722	37224	0.035
1981	V8 5.8L		6IR4Y	3720	37204	0.035
1980	L6 4.9L		16IR5Y	3744	37444	0.035
1980	V8 5.0L		6IR5Y	3722	37224	0.035
1980	V8 5.8L		6IR4Y	3720	37204	0.035
1980	V8 6.6L		6IR4Y	3720	37204	0.035
1979	L6 4.9L		16IR5Y	3744	37444	0.035
1979	V8 5.0L		6IR4Y	3720	37204	0.035
1979	V8 5.8L		6IR4Y	3720	37204	0.035
1978	L6 4.9L		16IR5Y	3744	37444	0.035
1978	V8 5.8L		6IR4Y	3720	37204	0.035
1978	V8 7.5L		6IR4Y	3720	37204	0.035
1977-76	L6 4.9L		16IR5Y	3744	37444	0.035
1977-76	V8 5.8L		6IR4Y	3720	37204	0.035
1975	L6 4.9L		16IR5Y	3744	37444	0.035
1975	V8 5.0L		6IR5Y	3722	37224	0.035
1975	V8 5.8L		6IR4Y	3720	37204	0.035
1974-73	L6 3.9L		16IR5Y	3744	37444	0.035
1974-73	L6 4.9L		16IR5Y	3744	37444	0.035
1974-73	V8 5.0L		16IR5Y	3744	37444	0.035
1972	L6 3.9L		16IR5Y	3744	37444	0.035
1972	L6 4.9L		16IR5Y	3744	37444	0.035
1972	V8 5.0L		16IR5Y	3744	37444	0.035
1971-68	L6 2.8L		16IR5Y	3744	37444	0.035
1971-68	L6 3.9L		16IR5Y	3744	37444	0.035
1971-68	V8 5.0L		16IR5Y	3744	37444	0.035
<b>E-150</b>						
2013	V8 5.4L		1IR5Y	3713	37134	0.043
2013	V8 4.6L		1IR5Y	3713	37134	0.043
2012	V8 5.4L		1IR5Y	3713	37134	0.043
2012	V8 4.6L		1IR5Y	3713	37134	0.043
2011	V8 4.6L		1IR5Y	3713	37134	0.043
2011	V8 5.4L		1IR5Y	3713	37134	0.043
2010	V8 4.6L	8 CPBs Req	1IR5Y	3713	37134	0.043
2010	V8 5.4L	8 CPBs Req	1IR5Y	3713	37134	0.043
2009	V8 4.6L	8 CPBs Req	1IR5Y	3713	37134	0.043
2009	V8 5.4L	8 CPBs Req	1IR5Y	3713	37134	0.043

CPB's = Coil Plug Boots  
 \*\* Pre-gapped for optimal performance.

Make Model Year	Engine Size	Notes:	Plug Type	MSD PN Single	MSD PN 4-Pack	Pre-Gap Setting**
2008	V8 4.6L	8 CPBs Req	1IR5Y	3713	37134	0.043
2008	V8 5.4L	8 CPBs Req	1IR5Y	3713	37134	0.043
2007	V8 4.6L	8 CPBs Req	1IR5Y	3713	37134	0.043
2007	V8 5.4L	8 CPBs Req	1IR5Y	3713	37134	0.043
2006	V8 4.6L	8 CPBs Req	1IR5Y	3713	37134	0.043
2006	V8 5.4L	8 CPBs Req	1IR5Y	3713	37134	0.043
2005	V8 4.6L	8 CPBs Req	1IR5Y	3713	37134	0.043
2005	V8 5.4L	GAS, 8 CPBs Req	1IR5Y	3713	37134	0.043
2004	V8 4.6L	Vin W, 8 CPBs Req	1IR5Y	3713	37134	0.043
2004	V8 5.4L	GAS, 8 CPBs Req	1IR5Y	3713	37134	0.043
2003	V6 4.2L		2IR5L	3715	37154	0.043
2003	V8 4.6L	8 CPBs Req	1IR5Y	3713	37134	0.043
2003	V8 5.4L	8 CPBs Req	1IR5Y	3713	37134	0.043
<b>E-150 Club Wagon</b>						
2005-03	V8 4.6L	8 CPBs Req	1IR5Y	3713	37134	0.043
2005-03	V8 5.4L	8 CPBs Req	1IR5Y	3713	37134	0.043
<b>E-150 Econoline</b>						
2002-00	V6 4.2L		1IR5L	3712	37124	0.047
2002	V8 4.6L	8 CPBs Req	1IR5Y	3713	37134	0.043
2002	V8 5.4L	8 CPBs Req	1IR5Y	3713	37134	0.043
1999-98	V6 4.2L		1IR5L	3712	37124	0.047
1999-98	V8 4.6L	w/Dir Ign; 8 CPBs Req	1IR5Y	3713	37134	0.043
1999-98	V8 5.4L	8 CPBs Req	1IR5Y	3713	37134	0.043
1997	V6 4.2L		1IR5Y	3713	37134	0.043
1997	V8 4.6L	w/Dir Ign; 8 CPBs Req	1IR5Y	3713	37134	0.043
1997	V8 5.4L	8 CPBs Req	1IR5Y	3713	37134	0.043
1996-95	L6 4.9L		16IR5Y	3744	37444	0.035
1996-95	V8 5.0L		6IR4Y	3720	37204	0.035
1996-95	V8 5.8L		6IR5Y	3722	37224	0.035
1994-89	L6 4.9L		16IR5Y	3744	37444	0.035
1994-89	V8 5.0L		6IR4Y	3720	37204	0.035
1994-89	V8 5.8L		6IR5Y	3722	37224	0.035
1988-87	L6 4.9L		16IR5Y	3744	37444	0.035
1988-87	V8 5.0L		6IR4Y	3720	37204	0.035
1988-87	V8 5.8L		6IR5Y	3722	37224	0.035
1986	L6 4.9L		16IR5Y	3744	37444	0.035
1986	V8 5.0L		6IR4Y	3720	37204	0.035
1986	V8 5.8L		6IR5Y	3722	37224	0.035
1985-84	L6 4.9L	GAS	16IR5Y	3744	37444	0.035
1985-84	L6 4.9L	LPG	16IR5Y	3744	37444	0.035
1985-84	V8 5.0L		6IR5Y	3722	37224	0.035
1985-84	V6 5.8L	Vin G	6IR4Y	3720	37204	0.035
1985-84	V8 5.8L	Vin H	6IR5Y	3722	37224	0.035
1983	L6 4.9L	GAS	16IR5Y	3744	37444	0.035
1983	L6 4.9L	LPG	16IR5Y	3744	37444	0.035
1983	V8 5.0L		6IR5Y	3722	37224	0.035
1983	V8 5.8L		6IR4Y	3720	37204	0.035
1982	L6 4.9L	Vin E	16IR5Y	3744	37444	0.035
1982	V8 5.0L		6IR5Y	3722	37224	0.035
1982	V8 5.8L		6IR4Y	3720	37204	0.035
1981	L6 4.9L		16IR5Y	3744	37444	0.035
1981	V8 5.0L		6IR5Y	3722	37224	0.035
1981	V8 5.8L		6IR4Y	3720	37204	0.035
1980	L6 4.9L		16IR5Y	3744	37444	0.035
1980	V8 5.0L		6IR5Y	3722	37224	0.035
1980	V8 5.8L		6IR4Y	3720	37204	0.035
1980	V8 7.5L		6IR4Y	3720	37204	0.035
1979	L6 4.9L		16IR5Y	3744	37444	0.035
1979	V8 5.0L		6IR4Y	3720	37204	0.035
1979	V8 5.8L		6IR4Y	3720	37204	0.035
1979	V8 7.5L		6IR4Y	3720	37204	0.035
1978	L6 4.9L		16IR5Y	3744	37444	0.035
1978	V8 5.8L		6IR4Y	3720	37204	0.035
1978	V8 7.5L		6IR4Y	3720	37204	0.035
1977-76	L6 4.9L		16IR5Y	3744	37444	0.035
1977-76	V8 5.8L		6IR4Y	3720	37204	0.035
1975	L6 4.9L		16IR5Y	3744	37444	0.035
1975	V8 5.0L		6IR5Y	3722	37224	0.035
1975	V8 5.8L		6IR4Y	3720	37204	0.035
1974-73	L6 3.9L		16IR5Y	3744	37444	0.035
1974-73	L6 4.9L		16IR5Y	3744	37444	0.035
1974-73	V8 5.0L		16IR5Y	3744	37444	0.035
1972	L6 3.9L		16IR5Y	3744	37444	0.035
1972	L6 4.9L		16IR5Y	3744	37444	0.035
1972	V8 5.0L		16IR5Y	3744	37444	0.035
1971-68	L6 2.8L		16IR5Y	3744	37444	0.035
1971-68	L6 3.9L		16IR5Y	3744	37444	0.035
1971-68	V8 5.0L		16IR5Y	3744	37444	0.035
1975	V8 5.8L		6IR4Y	3720	37204	0.035

\* Short Style 6 Series - PN 3741 (single), PN 37414 (4pk) - Pre-gapped 0.035  
 \* Short Style 7 Series - PN 3742 (single), PN 37424 (4pk) - Pre-gapped 0.035



## Ford E-200 Econoline

Make Model Year	Engine Size	Notes:	Plug Type	MSD PN Single	MSD PN 4-Pack	Pre-Gap Setting**
<b>E-200 Econoline</b>						
1974-73	L6 3.9L		16IR5Y	3744	37444	0.035
1974-73	L6 4.9L		16IR5Y	3744	37444	0.035
1974-73	V8 5.0L		16IR5Y	3744	37444	0.035
1972	L6 3.9L		16IR5Y	3744	37444	0.035
1972	L6 4.9L		16IR5Y	3744	37444	0.035
1972	V8 5.0L		16IR5Y	3744	37444	0.035
1971-68	L6 2.8L		16IR5Y	3744	37444	0.035
1971-68	L6 3.9L		16IR5Y	3744	37444	0.035
1971-68	V8 5.0L		16IR5Y	3744	37444	0.035
<b>E-250</b>						
2013	V8 4.6L	8 CPBs Req	1IR5Y	3713	37134	0.043
2013	V8 5.4L		1IR5Y	3713	37134	0.043
2012	V8 4.6L	8 CPBs Req	1IR5Y	3713	37134	0.043
2012	V8 5.4L		1IR5Y	3713	37134	0.043
2011	V8 4.6L	8 CPBs Req	1IR5Y	3713	37134	0.043
2011	V8 5.4L		1IR5Y	3713	37134	0.043
2010	V8 4.6L	8 CPBs Req	1IR5Y	3713	37134	0.043
2010	V8 5.4L	8 CPBs Req	1IR5Y	3713	37134	0.043
2009	V8 4.6L	8 CPBs Req	1IR5Y	3713	37134	0.043
2009	V8 5.4L	8 CPBs Req	1IR5Y	3713	37134	0.043
2008	V8 4.6L	8 CPBs Req	1IR5Y	3713	37134	0.043
2008	V8 5.4L	8 CPBs Req	1IR5Y	3713	37134	0.043
2007	V8 4.6L	8 CPBs Req	1IR5Y	3713	37134	0.043
2007	V8 5.4L	8 CPBs Req	1IR5Y	3713	37134	0.043
2006	V8 4.6L	8 CPBs Req	1IR5Y	3713	37134	0.043
2006	V8 5.4L	8 CPBs Req	1IR5Y	3713	37134	0.043
2005	V8 4.6L	8 CPBs Req	1IR5Y	3713	37134	0.043
2005	V8 5.4L	CNG, 8 CPBs Req	1IR5Y	3713	37134	0.043
2005	V8 5.4L	GAS, 8 CPBs Req	1IR5Y	3713	37134	0.043
2004	V8 4.6L	Vin W, 8 CPBs Req	1IR5Y	3713	37134	0.043
2004	V8 5.4L	CNG, 8 CPBs Req	1IR5Y	3713	37134	0.043
2004	V8 5.4L	GAS, 8 CPBs Req	1IR5Y	3713	37134	0.043
2003	V6 4.2L		2IR5L	3715	37154	0.043
2003	V8 4.6L	8 CPBs Req	1IR5Y	3713	37134	0.043
2003	V8 5.4L	CNG, 8 CPBs Req	1IR5Y	3713	37134	0.043
2003	V8 5.4L	GAS, 8 CPBs Req	1IR5Y	3713	37134	0.043
<b>E-250 Econoline</b>						
2002	V6 4.2L		1IR5L	3712	37124	0.047
2002	V8 5.4L	CNG, 8 CPBs Req	1IR5Y	3713	37134	0.043
2002	V8 5.4L	GAS, 8 CPBs Req	1IR5Y	3713	37134	0.043
1999-98	V6 4.2L		1IR5L	3712	37124	0.047
1999-98	V8 5.4L	BI-FUEL, 8 CPBs Req	1IR5Y	3713	37134	0.043
1999-98	V8 5.4L	CNG, 8 CPBs Req	1IR5Y	3713	37134	0.043
1999-98	V8 5.4L	GAS, 8 CPBs Req	1IR5Y	3713	37134	0.043
1997	V6 4.2L		1IR5Y	3713	37134	0.043
1997	V8 4.6L	w/Dir Ign; 8 CPBs Req	1IR5Y	3713	37134	0.043
1997	V8 5.4L	CNG, 8 CPBs Req	1IR5Y	3713	37134	0.043
1997	V8 5.4L	GAS, 8 CPBs Req	1IR5Y	3713	37134	0.043
1996-95	L6 4.9L	BI-FUEL	16IR5Y	3744	37444	0.035
1996-95	L6 4.9L	GAS	16IR5Y	3744	37444	0.035
1996-95	V8 5.8L		6IR5Y	3722	37224	0.035
1994-92	L6 4.9L		16IR5Y	3744	37444	0.035
1994-92	V8 5.8L		6IR5Y	3722	37224	0.035
1991-89	L6 4.9L		16IR5Y	3744	37444	0.035
1991-89	V8 5.0L		6IR4Y	3720	37204	0.035
1991-89	V8 5.8L		6IR5Y	3722	37224	0.035
1988-87	L6 4.9L		16IR5Y	3744	37444	0.035
1988-87	V8 5.0L		6IR4Y	3720	37204	0.035
1988-87	V8 5.8L		6IR5Y	3722	37224	0.035
1986	L6 4.9L		16IR5Y	3744	37444	0.035
1986	V8 5.0L		6IR4Y	3720	37204	0.035
1986	V8 5.8L		6IR5Y	3722	37224	0.035
1985-84	L6 4.9L	GAS	16IR5Y	3744	37444	0.035
1985-84	L6 4.9L	LPG	16IR5Y	3744	37444	0.035
1985-84	V8 5.0L		6IR5Y	3722	37224	0.035
1985-84	V8 5.8L	Vin G	6IR4Y	3720	37204	0.035
1985-84	V8 5.8L	Vin H	6IR5Y	3722	37224	0.035
1983-82	L6 4.9L	GAS	16IR5Y	3744	37444	0.035
1983-82	L6 4.9L	LPG	16IR5Y	3744	37444	0.035

Make Model Year	Engine Size	Notes:	Plug Type	MSD PN Single	MSD PN 4-Pack	Pre-Gap Setting**
1983-82	V8 5.0L		6IR5Y	3722	37224	0.035
1983-82	V8 5.8L		6IR4Y	3720	37204	0.035
1981	L6 4.9L		16IR5Y	3744	37444	0.035
1981	V8 5.0L		6IR5Y	3722	37224	0.035
1981	V8 5.8L		6IR4Y	3720	37204	0.035
1980	L6 4.9L		16IR5Y	3744	37444	0.035
1980	V8 5.0L		6IR5Y	3722	37224	0.035
1980	V8 5.8L		6IR4Y	3720	37204	0.035
1980	V8 6.6L		6IR4Y	3720	37204	0.035
1980	V8 7.5L		6IR4Y	3720	37204	0.035
1979	L6 4.9L		16IR5Y	3744	37444	0.035
1979	V8 5.0L		6IR4Y	3720	37204	0.035
1979	V8 5.8L		6IR4Y	3720	37204	0.035
1979	V8 7.5L		6IR4Y	3720	37204	0.035
1978	L6 4.9L		16IR5Y	3744	37444	0.035
1978	V8 5.8L		6IR4Y	3720	37204	0.035
1978	V8 7.5L		6IR4Y	3720	37204	0.035
1977-76	L6 4.9L		16IR5Y	3744	37444	0.035
1977-76	V8 5.8L		6IR4Y	3720	37204	0.035
1977-76	V8 7.5L		6IR4Y	3720	37204	0.035
1975	L6 4.9L		16IR5Y	3744	37444	0.035
1975	V8 5.0L		6IR5Y	3722	37224	0.035
1975	V8 5.8L		6IR4Y	3720	37204	0.035
1975	V8 7.5L		6IR4Y	3720	37204	0.035
<b>E-250 Econoline Club Wagon</b>						
1991-83	V8 7.5L		6IR4Y	3720	37204	0.035
1982-81	V8 6.6L		6IR4Y	3720	37204	0.035
1982-81	V8 7.5L		6IR4Y	3720	37204	0.035
<b>E-300 Econoline</b>						
1982-81	V8 5.0L		16IR5Y	3744	37444	0.035
1972	L6 3.9L		16IR5Y	3744	37444	0.035
1972	L6 4.9L		16IR5Y	3744	37444	0.035
1972	V8 5.0L		16IR5Y	3744	37444	0.035
1971	L6 3.9L		16IR5Y	3744	37444	0.035
1971	V8 5.0L		16IR5Y	3744	37444	0.035
1970-69	L6 2.8L		16IR5Y	3744	37444	0.035
1970-69	L6 3.9L		16IR5Y	3744	37444	0.035
1970-69	V8 5.0L		16IR5Y	3744	37444	0.035
1968	L6 3.9L		16IR5Y	3744	37444	0.035
1968	V8 5.0L		16IR5Y	3744	37444	0.035
<b>E-350</b>						
2003	V8 5.4L	CNG, 8 CPBs Req	1IR5Y	3713	37134	0.043
2003	V10 6.8L	10 CPBs Req	1IR5Y	3713	37134	0.043
<b>E-350 Club Wagon</b>						
2005	V8 5.4L	CNG, 8 CPBs Req	1IR5Y	3713	37134	0.043
2005	V8 5.4L	GAS, 8 CPBs Req	1IR5Y	3713	37134	0.043
2004	V8 5.4L	CNG, 8 CPBs Req	1IR5Y	3713	37134	0.043
2004	V8 5.4L	GAS, 8 CPBs Req	1IR5Y	3713	37134	0.043
2003	V8 5.4L	8 CPBs Req	1IR5Y	3713	37134	0.043
2003	V10 6.8L	10 CPBs Req	1IR5Y	3713	37134	0.043
<b>E-350 Econoline</b>						
2002	V8 5.4L	CNG, 8 CPBs Req	1IR5Y	3713	37134	0.043
2002	V8 5.4L	GAS, 8 CPBs Req	1IR5Y	3713	37134	0.043
2002	V10 6.8L	10 CPBs Req	1IR5Y	3713	37134	0.043
2002	V8 5.4L	CNG, 8 CPBs Req	1IR5Y	3713	37134	0.043
2002	V8 5.4L	GAS, 8 CPBs Req	1IR5Y	3713	37134	0.043
2002	V10 6.8L	10 CPBs Req	1IR5Y	3713	37134	0.043
1998	V8 5.4L	Vin L, 8 CPBs Req	1IR5Y	3713	37134	0.043
1998	V8 5.4L	Vin M, 8 CPBs Req	1IR5Y	3713	37134	0.043
1998	V8 5.4L	Vin Z, 8 CPBs Req	1IR5Y	3713	37134	0.043
1998	V10 6.8L	10 CPBs Req	1IR5Y	3713	37134	0.043
1997	V8 5.4L	CNG, 8 CPBs Req	1IR5Y	3713	37134	0.043
1997	V8 5.4L	GAS, 8 CPBs Req	1IR5Y	3713	37134	0.043
1997	V10 6.8L	10 CPBs Req	1IR5Y	3713	37134	0.043
1996	L6 4.9L	GAS	16IR5Y	3744	37444	0.035
1996	V8 5.8L		6IR5Y	3722	37224	0.035
1996	V8 7.5L		6IR4Y	3720	37204	0.035
1995	L6 4.9L		16IR5Y	3744	37444	0.035
1995	V8 5.8L		6IR5Y	3722	37224	0.035
1995	V8 7.5L		6IR4Y	3720	37204	0.035

\* Short Style 6 Series - PN 3741 (single), PN 37414 (4pk) - Pre-gapped 0.035  
 \* Short Style 7 Series - PN 3742 (single), PN 37424 (4pk) - Pre-gapped 0.035

CPB's = Coil Plug Boots  
 \*\* Pre-gapped for optimal performance.



Make Model Year	Engine Size	Notes:	Plug Type	MSD PN Single	MSD PN 4-Pack	Pre-Gap Setting**
1994-87	L6 4.9L		16IR5Y	3744	37444	0.035
1994-87	V8 5.8L		6IR5Y	3722	37224	0.035
1994-87	V8 7.5L		6IR4Y	3720	37204	0.035
1986	L6 4.9L		16IR5Y	3744	37444	0.035
1986	V8 5.8L		6IR5Y	3722	37224	0.035
1986	V8 7.5L		6IR4Y	3720	37204	0.035
1985	L6 4.9L	GAS	16IR5Y	3744	37444	0.035
1985	L6 4.9L	LPG	16IR5Y	3744	37444	0.035
1985	V8 5.8L	Vin G	6IR4Y	3720	37204	0.035
1985	V8 5.8L	Vin H	6IR5Y	3722	37224	0.035
1985	V8 7.5L		6IR4Y	3720	37204	0.035
1984-83	L6 4.9L	GAS	16IR5Y	3744	37444	0.035
1984-83	L6 4.9L	LPG	16IR5Y	3744	37444	0.035
1984-83	V8 5.8L		6IR4Y	3720	37204	0.035
1984-83	V8 7.5L		6IR4Y	3720	37204	0.035
1982	L6 4.9L	Vin B	16IR5Y	3744	37444	0.035
1982	L6 4.9L	Vin E	16IR5Y	3744	37444	0.035
1982	V8 5.0L		6IR5Y	3722	37224	0.035
1982	V8 5.8L		6IR4Y	3720	37204	0.035
1982	V8 6.6L		6IR4Y	3720	37204	0.035
1982	V8 7.5L		6IR4Y	3720	37204	0.035
1981-80	L6 4.9L		16IR5Y	3744	37444	0.035
1981-80	V8 5.0L		6IR5Y	3722	37224	0.035
1981-80	V8 5.8L		6IR4Y	3720	37204	0.035
1981-80	V8 6.6L		6IR4Y	3720	37204	0.035
1981-80	V8 7.5L		6IR4Y	3720	37204	0.035
1979	L6 4.9L		16IR5Y	3744	37444	0.035
1979	V8 5.0L		6IR4Y	3720	37204	0.035
1979	V8 5.8L		6IR4Y	3720	37204	0.035
1979	V8 7.5L		6IR4Y	3720	37204	0.035
1978	L6 4.9L		16IR5Y	3744	37444	0.035
1978	V8 5.8L		6IR4Y	3720	37204	0.035
1978	V8 7.5L		6IR4Y	3720	37204	0.035
1977-76	L6 4.9L		16IR5Y	3744	37444	0.035
1977-76	V8 5.8L		6IR4Y	3720	37204	0.035
1977-76	V8 7.5L		6IR4Y	3720	37204	0.035
1975	L6 4.9L		16IR5Y	3744	37444	0.035
1975	V8 5.0L		6IR5Y	3722	37224	0.035
1975	V8 5.8L		6IR4Y	3720	37204	0.035
1975	V8 7.5L		6IR4Y	3720	37204	0.035
<b>E-350 Super Duty</b>						
2013	V8 5.4L		1IR5Y	3713	37134	0.043
2013	V10 6.8L		1IR5Y	3713	37134	0.043
2012	V8 5.4L	8 CPBs Req	1IR5Y	3713	37134	0.043
2012	V10 6.8L		1IR5Y	3713	37134	0.043
2011	V8 5.4L	8 CPBs Req	1IR5Y	3713	37134	0.043
2011	V10 6.8L		1IR5Y	3713	37134	0.043
2010	V8 5.4L	8 CPBs Req	1IR5Y	3713	37134	0.043
2010	V10 6.8L	10 CPBs Req	1IR5Y	3713	37134	0.043
2009-08	V8 5.4L	8 CPBs Req	1IR5Y	3713	37134	0.043
2009-08	V10 6.8L	10 CPBs Req	1IR5Y	3713	37134	0.043
2007	V8 5.4L	8 CPBs Req	1IR5Y	3713	37134	0.043
2007	V10 6.8L	10 CPBs Req	1IR5Y	3713	37134	0.043
2006	V8 5.4L	8 CPBs Req	1IR5Y	3713	37134	0.043
2006	V10 6.8L	10 CPBs Req	1IR5Y	3713	37134	0.043
2005	V8 5.4L	8 CPBs Req	1IR5Y	3713	37134	0.043
2005	V10 6.8L	10 CPBs Req	1IR5Y	3713	37134	0.043
2004	V8 5.4L	8 CPBs Req	1IR5Y	3713	37134	0.043
2004	V10 6.8L	10 CPBs Req	1IR5Y	3713	37134	0.043
<b>E-450 Econoline Super Duty</b>						
2002-01	V8 5.4L	CNG, 8 CPBs Req	1IR5Y	3713	37134	0.043
2002-01	V8 5.4L	GAS, 8 CPBs Req	1IR5Y	3713	37134	0.043
2002-01	V10 6.8L	10 CPBs Req	1IR5Y	3713	37134	0.043
2000	V8 5.4L	8 CPBs Req	1IR5Y	3713	37134	0.043
2000	V10 6.8L	10 CPBs Req	1IR5Y	3713	37134	0.043
2002-01	V8 5.4L	CNG	1IR5Y	3713	37134	0.043
2002-01	V8 5.4L	GAS	1IR5Y	3713	37134	0.043

CPB's = Coil Plug Boots  
 \*\* Pre-gapped for optimal performance.

Make Model Year	Engine Size	Notes:	Plug Type	MSD PN Single	MSD PN 4-Pack	Pre-Gap Setting**
<b>E-450 Super Duty</b>						
2013	V8 5.4L	8 CPBs Req	1IR5Y	3713	37134	0.043
2013	V10 6.8L		1IR5Y	3713	37134	0.043
2012	V8 5.4L	8 CPBs Req	1IR5Y	3713	37134	0.043
2012	V10 6.8L		1IR5Y	3713	37134	0.043
2011	V8 5.4L	8 CPBs Req	1IR5Y	3713	37134	0.043
2011	V10 6.8L		1IR5Y	3713	37134	0.043
2010	V8 5.4L	8 CPBs Req	1IR5Y	3713	37134	0.043
2010	V10 6.8L	10 CPBs Req	1IR5Y	3713	37134	0.043
2009-07	V8 5.4L	8 CPBs Req	1IR5Y	3713	37134	0.043
2009-07	V10 6.8L	10 CPBs Req	1IR5Y	3713	37134	0.043
2006	V8 5.4L	8 CPBs Req	1IR5Y	3713	37134	0.043
2006	V10 6.8L	10 CPBs Req	1IR5Y	3713	37134	0.043
2005	V10 6.8L	10 CPBs Req	1IR5Y	3713	37134	0.043
2004	V8 5.4L	8 CPBs Req	1IR5Y	3713	37134	0.043
2004	V10 6.8L	10 CPBs Req	1IR5Y	3713	37134	0.043
2003	V8 5.4L	8 CPBs Req	1IR5Y	3713	37134	0.043
2003	V10 6.8L	10 CPBs Req	1IR5Y	3713	37134	0.043
<b>E-550 Super Duty</b>						
2003	V10 6.8L	10 CPBs Req	1IR5Y	3713	37134	0.043
<b>Econoline</b>						
1967	L6 3.9L		16IR5Y	3744	37444	0.035
1966-65	L6 2.8L		16IR5Y	3744	37444	0.035
1964-63	L6 2.4L		16IR5Y	3744	37444	0.035
1964-63	L6 2.8L		16IR5Y	3744	37444	0.035
1962-61	L6 2.4L		16IR5Y	3744	37444	0.035
<b>Econoline Super Duty</b>						
1999	V8 5.4L	8 CPBs Req	1IR5Y	3713	37134	0.043
1999	V10 6.8L	10 CPBs Req	1IR5Y	3713	37134	0.043
1998-97	V8 5.4L	8 CPBs Req	1IR5Y	3713	37134	0.043
1998-97	V10 6.8L	10 CPBs Req	1IR5Y	3713	37134	0.043
1996	V8 5.8L		6IR5Y	3722	37224	0.035
1996	V8 7.5L		6IR4Y	3720	37204	0.035
<b>Edge</b>						
2013	V6 3.7L	99M	5IR6Y	3743	37434	0.032
2013	L4 2.0L	ECOBOOST	5IR6Y	3743	37434	0.032
2013	V6 3.5L		5IR6Y	3743	37434	0.032
2012	V6 3.7L	99M	5IR6Y	3743	37434	0.032
2012	L4 2.0L		5IR6Y	3743	37434	0.032
2012	V6 3.5L		5IR6Y	3743	37434	0.032
<b>Elite</b>						
1976-75	V8 5.8L		6IR4Y	3720	37204	0.035
1976-75	V8 6.6L		6IR4Y	3720	37204	0.035
1976-75	V8 7.5L		6IR4Y	3720	37204	0.035
<b>Escape</b>						
2013	V6 3.0L		1IR5Y	3713	37134	0.043
2013	L4 2.0L	ECOBOOST	5IR6Y	3743	37434	0.032
2012	L4 2.5L		5IR5Y	3719	37194	0.040
2012	L4 2.5L		5IR5Y	3719	37194	0.040
2011	L4 2.5L		5IR5Y	3719	37194	0.040
2010-09	L4 2.5L		5IR5Y	3719	37194	0.040
2010-09	V6 3.0L		1IR5Y	3713	37134	0.043
2008	L4 2.3L	Electric/Gas, 4 CPBs Req	1IR5Y	3713	37134	0.043
2008	L4 2.3L	GAS, 4 CPBs Req	1IR5Y	3713	37134	0.043
2008	V6 3.0L	6 CPBs Req	1IR5Y	3713	37134	0.043
2007	L4 2.3L	Electric/Gas, 4 CPBs Req	1IR5Y	3713	37134	0.043
2007	L4 2.3L	GAS, 4 CPBs Req	1IR5Y	3713	37134	0.043
2007	V6 3.0L	6 CPBs Req	1IR5Y	3713	37134	0.043
2006	L4 2.3L	Electric/Gas, 4 CPBs Req	1IR5Y	3713	37134	0.043
2006	L4 2.3L	GAS, 4 CPBs Req	1IR5Y	3713	37134	0.043
2006	V6 3.0L	6 CPBs Req	1IR5Y	3713	37134	0.043
2005	L4 2.3L	Electric/Gas, 4 CPBs Req	1IR5Y	3713	37134	0.043
2005	L4 2.3L	GAS, 4 CPBs Req	1IR6Y	3714	37144	0.043
2005	V6 3.0L	6 CPBs Req	1IR5Y	3713	37134	0.043
2004	L4 2.0L		5IR5Y	3719	37194	0.040
2004	V6 3.0L	6 CPBs Req	1IR5Y	3713	37134	0.043
2003-01	L4 2.0L		5IR5Y	3719	37194	0.040
2003-01	V6 3.0L	6 CPBs Req	1IR5Y	3713	37134	0.043

\* Short Style 6 Series - PN 3741 (single), PN 37414 (4pk) - Pre-gapped 0.035  
 \* Short Style 7 Series - PN 3742 (single), PN 37424 (4pk) - Pre-gapped 0.035





## Ford Escort

Make Model Year	Engine Size	Notes:	Plug Type	MSD PN Single	MSD PN 4-Pack	Pre-Gap Setting**
<b>Escort</b>						
2003	L4 2.0L		5IR5Y	3719	37194	0.040
2002	L4 2.0L	Vin 3, DOHC	5IR5Y	3719	37194	0.040
2002	L4 2.0L	Vin P, DOHC	1IR5Y	3713	37134	0.043
2001-98	L4 2.0L	Vin 3	5IR5Y	3719	37194	0.040
2001-98	L4 2.0L	Vin P	1IR5Y	3713	37134	0.043
1997	L4 2.0L		1IR5Y	3713	37134	0.043
1996	L4 1.8L		7IR6Y *	3727	37274	0.043
1996	L4 1.9L		1IR5Y	3713	37134	0.043
1995	L4 1.8L		7IR6Y *	3727	37274	0.043
1995	L4 1.9L		2IR5L	3715	37154	0.043
1994	L4 1.8L		7IR6Y *	3727	37274	0.043
1994	L4 1.9L		1IR5Y	3713	37134	0.043
1993-91	L4 1.8L		7IR6Y *	3727	37274	0.043
1993-91	L4 1.9L		2IR5L	3715	37154	0.043
1990-88	L4 1.9L		2IR5L	3715	37154	0.043
1987-86	L4 1.9L		2IR5L	3715	37154	0.043
1987-86	L4 2.0L		N/A	N/A	N/A	
1985	L4 1.6L	Naturally Aspirated	2IR5L	3715	37154	0.043
1985	L4 1.6L	Turbo	1IR5Y	3713	37134	0.043
1985	L4 1.9L		2IR5L	3715	37154	0.043
1985	L4 2.0L		N/A	N/A	N/A	
1984	L4 1.6L	Naturally Aspirated	2IR5L	3715	37154	0.043
1984	L4 1.6L	Turbo	1IR5Y	3713	37134	0.043
1984	L4 2.0L		N/A	N/A	N/A	
1983	L4 1.6L	CARB	1IR5Y	3713	37134	0.043
1983	L4 1.6L	FI	2IR5L	3715	37154	0.043
1982	L4 1.6L		1IR5Y	3713	37134	0.043
1981	L4 1.6L		7IR5Y	3725	37254	0.040
<b>Excursion</b>						
2005	V8 5.4L	8 CPBs Req	1IR5Y	3713	37134	0.043
2005	V10 6.8L	10 CPBs Req	1IR5Y	3713	37134	0.043
2004	V8 5.4L	GAS, 8 CPBs Req	1IR5Y	3713	37134	0.043
2004	V10 6.8L	10 CPBs Req	1IR5Y	3713	37134	0.043
2003	V8 5.4L	8 CPBs Req	1IR5Y	3713	37134	0.043
2003	V10 6.8L	10 CPBs Req	1IR5Y	3713	37134	0.043
<b>EXP</b>						
1988-86	L4 1.9L		2IR5L	3715	37154	0.043
1985-84	L4 1.6L	Naturally Aspirated	2IR5L	3715	37154	0.043
1985-84	L4 1.6L	Turbo	1IR5Y	3713	37134	0.043
1983	L4 1.6L	CARB	1IR5Y	3713	37134	0.043
1983	L4 1.6L	FI	2IR5L	3715	37154	0.043
1982	L4 1.6L	Vin 2, From 9/81	1IR5Y	3713	37134	0.043
1982	L4 1.6L	Vin 2, To 9/81	7IR5Y	3725	37254	0.040
1982	L4 1.6L	Vin 4, H.O.	1IR5Y	3713	37134	0.043
<b>Expedition</b>						
2013	V8 5.4L	w/Brwn Coil Boots; 8 CPBs Req	4IR7Y	3717	37174	0.035
2012	V8 5.4L	w/Brwn Coil Boots; 8 CPBs Req	4IR7Y	3717	37174	0.035
2011-09	V8 5.4L	w/Brwn Coil Boots; 8 CPBs Req	4IR7Y	3717	37174	0.035
2008	V8 5.4L	w/Brwn Coil Boots; 8 CPBs Req	4IR7Y	3717	37174	0.035
2008-04	V8 5.4L	w/Black Coil Boots; Vin 5	3IR6	3716	37164	0.035
2008-04	V8 4.6L	w/Black Coil Boots; Vin 5	3IR6	3716	37164	0.035
2004	V8 4.6L	Vin W, 8 CPBs Req	1IR5Y	3713	37134	0.043
2004	V8 5.4L	GAS, 8 CPBs Req	1IR5Y	3713	37134	0.043
2003	V8 4.6L	8 CPBs Req	1IR5Y	3713	37134	0.043
2003	V8 5.4L	8 CPBs Req	1IR5Y	3713	37134	0.043
1999	V8 4.6L	w/Dir Ign; 8 CPBs Req	1IR5Y	3713	37134	0.043
1999	V8 5.4L	8 CPBs Req	1IR5Y	3713	37134	0.043
1998-97	V8 4.6L		1IR5Y	3713	37134	0.043
1998-97	V8 5.4L	8 CPBs Req	1IR5Y	3713	37134	0.043
<b>Explorer</b>						
2013	V6 3.5L		5IR6Y	3743	37434	0.032
2013	L4 2.0L		5IR6Y	3743	37434	0.032
2012	V6 3.5L		5IR6Y	3743	37434	0.032
2012	L4 2.0L		5IR6Y	3743	37434	0.032
2011	V6 3.5L		5IR6Y	3743	37434	0.032
2010	V6 4.0L		2IR5L	3715	37154	0.043
2010	V8 4.6L		4IR7Y	3717	37174	0.035
2009	V6 4.0L		2IR5L	3715	37154	0.043

Make Model Year	Engine Size	Notes:	Plug Type	MSD PN Single	MSD PN 4-Pack	Pre-Gap Setting**
2009	V8 4.6L		4IR7Y	3717	37174	0.035
2008	V6 4.0L		2IR5L	3715	37154	0.043
2008	V8 4.6L	w/Brwn Coil Boots; 8	4IR7Y	3717	37174	0.035
2008	V8 4.6L	w/Black Coil Boots; Vin 8	3IR6	3716	37164	0.035
2007	V6 4.0L		2IR5L	3715	37154	0.043
2007	V8 4.6L	w/Black Coil Boots; Vin 8	3IR6	3716	37164	0.035
2006	V6 4.0L		1IR5Y	3713	37134	0.043
2006	V8 4.6L	w/Black Coil Boots; Vin 8	3IR6	3716	37164	0.035
2005	V6 4.0L	XLS Sport	1IR5Y	3713	37134	0.043
2005	V6 4.0L	XLT Sport	1IR5Y	3713	37134	0.043
2005	V8 4.6L	8 CPBs Req	1IR5Y	3713	37134	0.043
2004	V6 4.0L	XLS Sport	1IR5Y	3713	37134	0.043
2004	V6 4.0L	XLT Sport	1IR5Y	3713	37134	0.043
2004	V8 4.6L	8 CPBs Req	1IR5Y	3713	37134	0.043
2003	V6 4.0L	Postal Stripped Chassis	1IR5Y	3713	37134	0.043
2003	V6 4.0L	Sport	1IR5Y	3713	37134	0.043
2003	V6 4.0L	Sport XLS	1IR5Y	3713	37134	0.043
2003	V6 4.0L	Sport XLT	1IR5Y	3713	37134	0.043
2003	V8 4.6L	8 CPBs Req	1IR5Y	3713	37134	0.043
2002	V6 4.0L	Postal Stripped Chassis	1IR5Y	3713	37134	0.043
2002	V6 4.0L	Sport	1IR5Y	3713	37134	0.043
2002	V8 4.6L	8 CPBs Req	1IR5Y	3713	37134	0.043
2001	V6 4.0L	SOHC, LHD; From 7/24/00	1IR5Y	3713	37134	0.043
2001	V6 4.0L	SOHC, RHD	1IR5Y	3713	37134	0.043
2001	V8 5.0L		1IR5Y	3713	37134	0.043
2000-99	V6 4.0L	SOHC, RHD	1IR5Y	3713	37134	0.043
2000-99	V6 4.0L	Vin E, SOHC, RHD	1IR5Y	3713	37134	0.043
2000-99	V6 4.0L	Vin X, OHV	1IR5Y	3713	37134	0.043
2000-99	V8 5.0L		1IR5Y	3713	37134	0.043
1998-97	V6 4.0L	Vin E, SOHC, RHD	1IR5Y	3713	37134	0.043
1998-97	V6 4.0L	Vin X, OHV	1IR5Y	3713	37134	0.043
1998-97	V8 5.0L		1IR5Y	3713	37134	0.043
1996	V6 4.0L		1IR5Y	3713	37134	0.043
1996	V8 5.0L		1IR5Y	3713	37134	0.043
1995-91	V6 4.0L		1IR5Y	3713	37134	0.043
<b>Explorer Sport Trac</b>						
2010	V6 4.0L		2IR5L	3715	37154	0.043
2010	V8 4.6L		4IR7Y	3717	37174	0.035
2009-08	V6 4.0L		2IR5L	3715	37154	0.043
2009-08	V8 4.6L		4IR7Y	3717	37174	0.035
2008-06	V8 4.6L	w/Black Coil Boots; Vin 8	3IR6	3716	37164	0.035
2007	V6 4.0L		2IR5L	3715	37154	0.043
2005-04	V6 4.0L		1IR5Y	3713	37134	0.043
2003-02	V6 4.0L		1IR5Y	3713	37134	0.043
2001	V6 4.0L		1IR5Y	3713	37134	0.043
<b>F53</b>						
2011-08	V10 6.8L		4IR7Y	3717	37174	0.035
2004-99	V10 6.8L		1IR5Y	3713	37134	0.043
1997	V8 7.5L		6IR5Y	3722	37224	0.035
1996-88	V8 7.5L		6IR4Y	3720	37204	0.035
<b>F-100</b>						
1983	L6 4.9L		16IR5Y	3744	37444	0.035
1983	V6 3.8L		1IR5Y	3713	37134	0.043
1983	V8 5.0L		6IR5Y	3722	37224	0.035
1982	L6 4.9L	GAS	16IR5Y	3744	37444	0.035
1982	L6 4.9L	LPG	16IR5Y	3744	37444	0.035
1982	V6 3.8L		7IR4Y	3724	37244	0.040
1982	V8 4.2L		6IR4Y	3720	37204	0.035
1982	V8 5.0L		6IR5Y	3722	37224	0.035
1981	L6 4.9L		16IR5Y	3744	37444	0.035
1981	V8 4.2L		6IR4Y	3720	37204	0.035
1981	V8 5.0L		6IR5Y	3722	37224	0.035
1981	V8 5.8L		6IR4Y	3720	37204	0.035
1980	L6 4.9L		16IR5Y	3744	37444	0.035
1980	V8 5.0L		6IR5Y	3722	37224	0.035
1979	L6 4.9L		16IR5Y	3744	37444	0.035
1979	V8 5.0L		6IR4Y	3720	37204	0.035
1979	V8 5.8L		6IR4Y	3720	37204	0.035
1979	V8 6.6L		6IR4Y	3720	37204	0.035
1979	V8 7.5L		6IR4Y	3720	37204	0.035

\* Short Style 6 Series - PN 3741 (single), PN 37414 (4pk) - Pre-gapped 0.035  
 \* Short Style 7 Series - PN 3742 (single), PN 37424 (4pk) - Pre-gapped 0.035

CPB's = Coil Plug Boots  
 \*\* Pre-gapped for optimal performance.





Make Model Year	Engine Size	Notes:	Plug Type	MSD PN Single	MSD PN 4-Pack	Pre-Gap Setting**
1978	L6 4.9L		16IR5Y	3744	37444	0.035
1978	V8 5.0L		6IR4Y	3720	37204	0.035
1978	V8 5.8L		6IR4Y	3720	37204	0.035
1978	V8 6.6L		6IR4Y	3720	37204	0.035
1977	L6 4.9L		16IR5Y	3744	37444	0.035
1977	V8 5.0L		6IR4Y	3720	37204	0.035
1977	V8 5.8L		6IR4Y	3720	37204	0.035
1977	V8 6.6L		6IR4Y	3720	37204	0.035
1977	V8 7.5L		6IR4Y	3720	37204	0.035
1976	L6 4.9L		16IR5Y	3744	37444	0.035
1976	V8 5.0L		6IR4Y	3720	37204	0.035
1976	V8 5.9L		16IR5Y	3744	37444	0.035
1976	V8 6.4L		16IR5Y	3744	37444	0.035
1976	V8 7.5L		6IR4Y	3720	37204	0.035
1975	L6 3.9L		16IR5Y	3744	37444	0.035
1975	L6 4.9L		16IR5Y	3744	37444	0.035
1975	V8 5.0L		6IR5Y	3722	37224	0.035
1975	V8 5.9L		16IR5Y	3744	37444	0.035
1975	V8 6.4L		16IR5Y	3744	37444	0.035
1975	V8 7.5L		6IR4Y	3720	37204	0.035
<b>F-100 Pickup</b>						
1974	L6 3.9L		16IR5Y	3744	37444	0.035
1974	L6 4.9L		16IR5Y	3744	37444	0.035
1974	V8 5.0L		16IR5Y	3744	37444	0.035
1974	V8 5.9L		16IR5Y	3744	37444	0.035
1974	V8 6.4L		16IR5Y	3744	37444	0.035
1974	V8 7.5L		6IR4Y	3720	37204	0.035
1973	L6 3.9L		16IR5Y	3744	37444	0.035
1973	L6 4.9L		16IR5Y	3744	37444	0.035
1973	V8 5.0L		16IR5Y	3744	37444	0.035
1973	V8 5.9L		16IR5Y	3744	37444	0.035
1973	V8 6.4L		16IR5Y	3744	37444	0.035
1973	V8 7.5L		6IR4Y	3720	37204	0.035
1972-69	L6 3.9L		16IR5Y	3744	37444	0.035
1972-69	L6 4.9L		16IR5Y	3744	37444	0.035
1972-69	V8 5.0L		16IR5Y	3744	37444	0.035
1972-69	V8 5.9L		16IR5Y	3744	37444	0.035
1972-69	V8 6.4L		16IR5Y	3744	37444	0.035
1968	L6 3.9L		16IR5Y	3744	37444	0.035
1968	L6 4.9L		16IR5Y	3744	37444	0.035
1968	V8 5.9L		16IR5Y	3744	37444	0.035
1968	V8 6.4L		16IR5Y	3744	37444	0.035
1967-66	L6 3.9L		16IR5Y	3744	37444	0.035
1967-66	L6 4.9L		16IR5Y	3744	37444	0.035
1967-66	V8 5.8L		16IR5Y	3744	37444	0.035
1965	L6 3.9L		16IR5Y	3744	37444	0.035
1965	L6 4.9L		16IR5Y	3744	37444	0.035
1964-61	L6 3.6L		16IR5Y	3744	37444	0.035
1964-61	V8 4.8L		N/A	N/A	N/A	
1960	V8 4.8L		N/A	N/A	N/A	
<b>F-150</b>						
2013	V8 6.2L		5IR6Y	3743	37434	0.032
2013	V6 3.5L	T ECOBOOST	5IR6Y	3743	37434	0.032
2013	V8 5.0L	F	5IR6Y	3743	37434	0.032
2012	V8 6.2L		5IR6Y	3743	37434	0.032
2012	V6 3.5L	T ECOBOOST	5IR6Y	3743	37434	0.032
2012	V6 3.7L	99M	5IR6Y	3743	37434	0.032
2012	V8 5.0L	F	5IR6Y	3743	37434	0.032
2011	V8 6.2L		5IR6Y	3743	37434	0.032
2011	V6 3.5L	T ECOBOOST	5IR6Y	3743	37434	0.032
2011	V6 3.7L	99M	5IR6Y	3743	37434	0.032
2011	V8 5.0L	F	5IR6Y	3743	37434	0.032
2010	V8 4.6L	Vin 8	4IR7Y	3717	37174	0.035
2010	V8 4.6L	Vin W, 16Valves, 8 CPBs Req	1IR5Y	3713	37134	0.043
2010	V8 5.4L		4IR7Y	3717	37174	0.035
2009	V8 4.6L	Vin 8	4IR7Y	3717	37174	0.035
2009	V8 4.6L	Vin W, 16Valves, 8 CPBs Req	1IR5Y	3713	37134	0.043
2009	V8 5.4L		4IR7Y	3717	37174	0.035
2008	V6 4.2L		1IR5Y	3713	37134	0.043
2008	V8 4.6L	8 CPBs Req	1IR5Y	3713	37134	0.043
2008	V8 4.6L	FLEX, w/ Brown Coil	4IR7Y	3717	37174	0.035

CPB's = Coil Plug Boots  
 \*\* Pre-gapped for optimal performance.

Make Model Year	Engine Size	Notes:	Plug Type	MSD PN Single	MSD PN 4-Pack	Pre-Gap Setting**
2008	V8 5.4L	w/ Black Coil Boots; Vin 5 & Vin V	3IR6	3716	37164	0.035
2008	V8 5.4L	GAS, w/ Brown Coil	4IR7Y	3717	37174	0.035
2007	V6 4.2L		1IR5Y	3713	37134	0.043
2007	V8 4.6L	8 CPBs Req	1IR5Y	3713	37134	0.043
2007	V8 5.4L	w/ Black Coil Boots; Vin 5 & Vin V	3IR6	3716	37164	0.035
2006	V6 4.2L		1IR5Y	3713	37134	0.043
2006	V8 4.6L	8 CPBs Req	1IR5Y	3713	37134	0.043
2006	V8 5.4L	w/ Black Coil Boots; Vin 5 & Vin V	3IR6	3716	37164	0.035
2005	V6 4.2L		1IR5Y	3713	37134	0.043
2005	V8 4.6L	8 CPBs Req	1IR5Y	3713	37134	0.043
2005	V8 5.4L	w/ Black Coil Boots; Vin 5	3IR6	3716	37164	0.035
2004	V8 4.6L	Vin W, 8 CPBs Req	1IR5Y	3713	37134	0.043
2004	V8 5.4L	SC, Vin 3 16Valves, 8 CPBs Req	1IR6Y	3714	37144	0.043
2004	V8 5.4L	SC, Vin 5 24Valves, 8 CPBs Req	1IR6Y	3714	37144	0.043
2004	V8 5.4L	w/ Black Coil Boots; Vin 5	3IR6	3716	37164	0.035
2003	V6 4.2L		1IR5Y	3713	37134	0.043
2003	V8 4.6L	8 CPBs Req	1IR5Y	3713	37134	0.043
2003	V8 5.4L	Vin 3, 8 CPBs Req	1IR6Y	3714	37144	0.043
2003	V8 5.4L	Vin L, 8 CPBs Req	1IR5Y	3713	37134	0.043
2003	V8 5.4L	Vin M, 8 CPBs Req	1IR5Y	3713	37134	0.043
2003	V8 5.4L	Vin Z, 8 CPBs Req	1IR5Y	3713	37134	0.043
2002	V6 4.2L		1IR5Y	3713	37134	0.043
2002	V8 4.6L	8 CPBs Req	1IR5Y	3713	37134	0.043
2002	V8 5.4L	Vin 3, 8 CPBs Req	1IR6Y	3714	37144	0.043
2002	V8 5.4L	Vin L, 8 CPBs Req	1IR5Y	3713	37134	0.043
2002	V8 5.4L	Vin M, 8 CPBs Req	1IR5Y	3713	37134	0.043
2002	V8 5.4L	Vin Z, 8 CPBs Req	1IR5Y	3713	37134	0.043
1999	V6 4.2L		1IR5Y	3713	37134	0.043
1999	V8 4.6L	w/Dir Ign; 8 CPBs Req	1IR5Y	3713	37134	0.043
1999	V8 5.4L	Naturally Aspirated, 8 CPBs Req	1IR5Y	3713	37134	0.043
1999	V8 5.4L	Supercharged, 8 CPBs Req	1IR6Y	3714	37144	0.043
1998	V6 4.2L		1IR5Y	3713	37134	0.043
1998	V8 4.6L	w/Dir Ign; 8 CPBs Req	1IR5Y	3713	37134	0.043
1998	V8 5.4L	BI-FUEL, 8 CPBs Req	1IR5Y	3713	37134	0.043
1998	V8 5.4L	CNG, 8 CPBs Req	1IR5Y	3713	37134	0.043
1998	V8 5.4L	GAS, 8 CPBs Req	1IR5Y	3713	37134	0.043
1997	V6 4.2L		1IR5Y	3713	37134	0.043
1997	V8 4.6L	w/Dir Ign; 8 CPBs Req	1IR5Y	3713	37134	0.043
1997	V8 5.4L	8 CPBs Req	1IR5Y	3713	37134	0.043
1996	L6 4.9L	BI-FUEL	16IR5Y	3744	37444	0.035
1996	L6 4.9L	GAS	16IR5Y	3744	37444	0.035
1996	V8 5.0L		6IR4Y	3720	37204	0.035
1996	V8 5.8L		6IR5Y	3722	37224	0.035
1995	L6 4.9L	BI-FUEL	16IR5Y	3744	37444	0.035
1995	L6 4.9L	GAS	16IR5Y	3744	37444	0.035
1995	V8 5.0L		6IR4Y	3720	37204	0.035
1995	V8 5.8L	Vin H	6IR5Y	3722	37224	0.035
1995	V8 5.8L	Vin R	1IR5Y	3713	37134	0.043
1994-93	L6 4.9L		16IR5Y	3744	37444	0.035
1994-93	V8 5.0L		6IR4Y	3720	37204	0.035
1994-93	V8 5.8L	Vin H	6IR5Y	3722	37224	0.035
1994-93	V8 5.8L	Vin R	1IR5Y	3713	37134	0.043
1992-89	L6 4.9L		16IR5Y	3744	37444	0.035
1992-89	V8 5.0L		6IR4Y	3720	37204	0.035
1992-89	V8 5.8L		6IR5Y	3722	37224	0.035
1988-87	L6 4.9L		16IR5Y	3744	37444	0.035
1988-87	V8 5.0L		6IR4Y	3720	37204	0.035
1988-87	V8 5.8L		6IR5Y	3722	37224	0.035
1986	L6 4.9L		16IR5Y	3744	37444	0.035
1986	V8 5.0L		6IR4Y	3720	37204	0.035
1986	V8 5.8L		6IR5Y	3722	37224	0.035
1985	L6 4.9L	GAS	16IR5Y	3744	37444	0.035
1985	L6 4.9L	LPG	16IR5Y	3744	37444	0.035
1985	V8 5.0L	CARB	6IR5Y	3722	37224	0.035
1985	V8 5.0L	FI	6IR4Y	3720	37204	0.035
1985	V8 5.8L	Vin G	6IR4Y	3720	37204	0.035
1985	V8 5.8L	Vin H	6IR5Y	3722	37224	0.035
1984	L6 4.9L	GAS	16IR5Y	3744	37444	0.035
1984	L6 4.9L	LPG	16IR5Y	3744	37444	0.035
1984	V8 5.0L		6IR5Y	3722	37224	0.035
1984	V8 5.8L	Vin G	6IR4Y	3720	37204	0.035

\* Short Style 6 Series - PN 3741 (single), PN 37414 (4pk) - Pre-gapped 0.035  
 \* Short Style 7 Series - PN 3742 (single), PN 37424 (4pk) - Pre-gapped 0.035



**Ford F-150 continued**

Make Model Year	Engine Size	Notes:	Plug Type	MSD PN Single	MSD PN 4-Pack	Pre-Gap Setting**
1984	V8 5.8L	Vin H	6IR5Y	3722	37224	0.035
1983	L6 4.9L		16IR5Y	3744	37444	0.035
1983	V8 5.0L		6IR5Y	3722	37224	0.035
1983	V8 5.8L		6IR4Y	3720	37204	0.035
1982	L6 4.9L	Vin E	16IR5Y	3744	37444	0.035
1982	V8 5.0L		6IR5Y	3722	37224	0.035
1982	V8 5.8L		6IR4Y	3720	37204	0.035
1981-80	L6 4.9L		16IR5Y	3744	37444	0.035
1981-80	V8 5.0L		6IR5Y	3722	37224	0.035
1981-80	V8 5.8L		6IR4Y	3720	37204	0.035
1979	L6 4.9L		16IR5Y	3744	37444	0.035
1979	V8 5.0L		6IR4Y	3720	37204	0.035
1979	V8 5.8L		6IR4Y	3720	37204	0.035
1979	V8 6.6L		6IR4Y	3720	37204	0.035
1979	V8 7.5L		6IR4Y	3720	37204	0.035
1978	L6 4.9L		16IR5Y	3744	37444	0.035
1978	V8 5.0L		6IR4Y	3720	37204	0.035
1978	V8 5.8L		6IR4Y	3720	37204	0.035
1978	V8 6.6L		6IR4Y	3720	37204	0.035
1978	V8 7.5L		6IR4Y	3720	37204	0.035
1977	L6 4.9L		16IR5Y	3744	37444	0.035
1977	V8 5.0L		6IR4Y	3720	37204	0.035
1977	V8 5.8L		6IR4Y	3720	37204	0.035
1977	V8 6.6L		6IR4Y	3720	37204	0.035
1977	V8 7.5L		6IR4Y	3720	37204	0.035
1976	L6 3.9L		16IR5Y	3744	37444	0.035
1976	L6 4.9L		16IR5Y	3744	37444	0.035
1976	V8 5.0L		6IR4Y	3720	37204	0.035
1976	V8 5.9L		16IR5Y	3744	37444	0.035
1976	V8 6.4L	Vin H	16IR5Y	3744	37444	0.035
1976	V8 6.4L	Vin M	16IR5Y	3744	37444	0.035
1976	V8 7.5L		6IR4Y	3720	37204	0.035
1975	L6 3.9L		16IR5Y	3744	37444	0.035
1975	L6 4.9L		16IR5Y	3744	37444	0.035
1975	V8 5.0L		6IR5Y	3722	37224	0.035
1975	V8 5.9L		16IR5Y	3744	37444	0.035
1975	V8 6.4L		16IR5Y	3744	37444	0.035
1975	V8 7.5L		6IR4Y	3720	37204	0.035
<b>F-150 Heritage</b>						
2004	V6 4.2L		1IR5Y	3713	37134	0.043
2004	V8 4.6L	8 CPBs Req	1IR5Y	3713	37134	0.043
2004	V8 5.4L	BI-FUEL, 8 CPBs Req	1IR5Y	3713	37134	0.043
2004	V8 5.4L	CNG, 8 CPBs Req	1IR5Y	3713	37134	0.043
<b>F-250</b>						
1999-98	V8 4.6L	w/Dir Ign; 8 CPBs Req	1IR5Y	3713	37134	0.043
1999-98	V8 5.4L	BI-FUEL, 8 CPBs Req	1IR5Y	3713	37134	0.043
1999-98	V8 5.4L	CNG, 8 CPBs Req	1IR5Y	3713	37134	0.043
1999-98	V8 5.4L	GAS, 8 CPBs Req	1IR5Y	3713	37134	0.043
1997	V8 4.6L	w/Dir Ign; 8 CPBs Req	1IR5Y	3713	37134	0.043
1997	V8 5.4L	CNG, 8 CPBs Req	1IR5Y	3713	37134	0.043
1997	V8 5.4L	GAS, 8 CPBs Req	1IR5Y	3713	37134	0.043
1997	V8 5.8L		6IR5Y	3722	37224	0.035
1997	V8 7.5L		6IR4Y	3720	37204	0.035
1996-95	L6 4.9L	BI-FUEL	16IR5Y	3744	37444	0.035
1996-95	L6 4.9L	GAS	16IR5Y	3744	37444	0.035
1996-95	V8 5.0L		6IR4Y	3720	37204	0.035
1996-95	V8 5.8L		6IR5Y	3722	37224	0.035
1996-95	V8 7.5L		6IR4Y	3720	37204	0.035
1994-89	L6 4.9L		16IR5Y	3744	37444	0.035
1994-89	V8 5.0L		6IR4Y	3720	37204	0.035
1994-89	V8 5.8L		6IR5Y	3722	37224	0.035
1994-89	V8 7.5L		6IR4Y	3720	37204	0.035
1988-87	L6 4.9L		16IR5Y	3744	37444	0.035
1988-87	V8 5.0L		6IR4Y	3720	37204	0.035
1988-87	V8 5.8L		6IR5Y	3722	37224	0.035
1988-87	V6 7.5L		6IR4Y	3720	37204	0.035
1986	L6 4.9L		16IR5Y	3744	37444	0.035
1986	V8 5.0L		6IR4Y	3720	37204	0.035
1986	V8 5.8L		6IR5Y	3722	37224	0.035
1986	V8 7.5L		6IR4Y	3720	37204	0.035
1985	L6 4.9L	GAS	16IR5Y	3744	37444	0.035

Make Model Year	Engine Size	Notes:	Plug Type	MSD PN Single	MSD PN 4-Pack	Pre-Gap Setting**
1985	L6 4.9L	LPG	16IR5Y	3744	37444	0.035
1985	V8 5.0L	CARB	6IR5Y	3722	37224	0.035
1985	V8 5.0L	FI	6IR4Y	3720	37204	0.035
1985	V8 5.8L	Vin G	6IR4Y	3720	37204	0.035
1985	V8 5.8L	Vin H	6IR5Y	3722	37224	0.035
1985	V8 7.5L		6IR4Y	3720	37204	0.035
1984	L6 4.9L	GAS	16IR5Y	3744	37444	0.035
1984	L6 4.9L	LPG	16IR5Y	3744	37444	0.035
1984	V8 5.0L		6IR5Y	3722	37224	0.035
1984	V8 5.8L	Vin G	6IR4Y	3720	37204	0.035
1984	V8 5.8L	Vin H	6IR5Y	3722	37224	0.035
1984	V8 7.5L		6IR4Y	3720	37204	0.035
1983	L6 4.9L		16IR5Y	3744	37444	0.035
1983	V8 5.0L		6IR5Y	3722	37224	0.035
1983	V8 5.8L		6IR4Y	3720	37204	0.035
1983	V8 7.5L		6IR4Y	3720	37204	0.035
1982	L6 4.9L	GAS	16IR5Y	3744	37444	0.035
1982	L6 4.9L	LPG	16IR5Y	3744	37444	0.035
1982	V8 5.0L		6IR5Y	3722	37224	0.035
1982	V8 5.8L		6IR4Y	3720	37204	0.035
1982	V8 6.6L		6IR4Y	3720	37204	0.035
1981-80	L6 4.9L		16IR5Y	3744	37444	0.035
1981-80	V8 5.0L		6IR5Y	3722	37224	0.035
1981-80	V8 5.8L		6IR4Y	3720	37204	0.035
1981-80	V8 6.6L		6IR4Y	3720	37204	0.035
1979	L6 4.9L		16IR5Y	3744	37444	0.035
1979	V8 5.0L		6IR4Y	3720	37204	0.035
1979	V8 5.8L		6IR4Y	3720	37204	0.035
1979	V8 6.6L		6IR4Y	3720	37204	0.035
1979	V8 7.5L		6IR4Y	3720	37204	0.035
1978	L6 4.9L		16IR5Y	3744	37444	0.035
1978	V8 5.0L		6IR4Y	3720	37204	0.035
1978	V8 5.8L		6IR4Y	3720	37204	0.035
1978	V8 6.6L		6IR4Y	3720	37204	0.035
1977	L6 4.9L		16IR5Y	3744	37444	0.035
1977	V8 5.0L		6IR4Y	3720	37204	0.035
1977	V8 5.8L		6IR4Y	3720	37204	0.035
1977	V8 6.6L		6IR4Y	3720	37204	0.035
1977	V8 7.5L		6IR4Y	3720	37204	0.035
1977	V8 6.6L		6IR4Y	3720	37204	0.035
1977	V8 7.5L		6IR4Y	3720	37204	0.035
1977	V8 5.8L		6IR4Y	3720	37204	0.035
1977	V8 7.5L		6IR4Y	3720	37204	0.035
1977	V8 6.6L		6IR4Y	3720	37204	0.035
1977	V8 7.5L		6IR4Y	3720	37204	0.035
1977	V8 5.8L		6IR4Y	3720	37204	0.035
1977	V8 7.5L		6IR4Y	3720	37204	0.035
1977	V8 6.6L		6IR4Y	3720	37204	0.035
1977	V8 7.5L		6IR4Y	3720	37204	0.035
1977	V8 5.8L		6IR4Y	3720	37204	0.035
1977	V8 7.5L		6IR4Y	3720	37204	0.035
1977	V8 6.6L		6IR4Y	3720	37204	0.035
1977	V8 7.5L		6IR4Y	3720	37204	0.035
1976	L6 4.9L		16IR5Y	3744	37444	0.035
1976	V6 5.0L		6IR4Y	3720	37204	0.035
1976	V8 5.9L		16IR5Y	3744	37444	0.035
1976	V8 6.4L		16IR5Y	3744	37444	0.035
1976	V8 7.5L		6IR4Y	3720	37204	0.035
1976	V8 5.0L		6IR4Y	3720	37204	0.035
1976	V8 5.8L		6IR4Y	3720	37204	0.035
1976	V8 6.6L		6IR4Y	3720	37204	0.035
1976	V8 7.5L		6IR4Y	3720	37204	0.035
1976	V8 5.0L		6IR5Y	3722	37224	0.035
1976	V8 5.9L		16IR5Y	3744	37444	0.035
1976	V8 6.4L		16IR5Y	3744	37444	0.035
1976	V8 7.5L		6IR4Y	3720	37204	0.035
1976	V8 5.8L		6IR4Y	3720	37204	0.035
1976	V8 7.5L		6IR4Y	3720	37204	0.035
1976	V8 6.6L		6IR4Y	3720	37204	0.035
1976	V8 7.5L		6IR4Y	3720	37204	0.035
1976	V8 5.0L		6IR5Y	3722	37224	0.035
1976	V8 5.9L		16IR5Y	3744	37444	0.035
1976	V8 6.4L		16IR5Y	3744	37444	0.035
1976	V8 7.5L		6IR4Y	3720	37204	0.035
1976	V8 5.8L		6IR4Y	3720	37204	0.035
1976	V8 7.5L		6IR4Y	3720	37204	0.035
1976	V8 6.6L		6IR4Y	3720	37204	0.035
1976	V8 7.5L		6IR4Y	3720	37204	0.035
1976	V8 5.0L		6IR5Y	3722	37224	0.035
1976	V8 5.9L		16IR5Y	3744	37444	0.035
1976	V8 6.4L		16IR5Y	3744	37444	0.035
1976	V8 7.5L		6IR4Y	3720	37204	0.035
1976	V8 5.8L		6IR4Y	3720	37204	0.035
1976	V8 7.5L		6IR4Y	3720	37204	0.035
1976	V8 6.6L		6IR4Y	3720	37204	0.035
1976	V8 7.5L		6IR4Y	3720	37204	0.035
1976	V8 5.0L		6IR5Y	3722	37224	0.035
1976	V8 5.9L		16IR5Y	3744	37444	0.035
1976	V8 6.4L		16IR5Y	3744	37444	0.035
1976	V8 7.5L		6IR4Y	3720	37204	0.035
1976	V8 5.8L		6IR4Y	3720	37204	0.035
1976	V8 7.5L		6IR4Y	3720	37204	0.035
1976	V8 6.6L		6IR4Y	3720	37204	0.035
1976	V8 7.5L		6IR4Y	3720	37204	0.035
1976	V8 5.0L		6IR5Y	3722	37224	0.035
1976	V8 5.9L		16IR5Y	3744	37444	0.035
1976	V8 6.4L		16IR5Y	3744	37444	0.035
1976	V8 7.5L		6IR4Y	3720	37204	0.035
1976	V8 5.8L		6IR4Y	3720	37204	0.035
1976	V8 7.5L		6IR4Y	3720	37204	0.035
1976	V8 6.6L		6IR4Y	3720	37204	0.035
1976	V8 7.5L		6IR4Y	3720	37204	0.035
1976	V8 5.0L		6IR5Y	3722	37224	0.035
1976	V8 5.9L		16IR5Y	3744	37444	0.035
1976	V8 6.4L		16IR5Y	3744	37444	0.035
1976	V8 7.5L					



Make Model Year	Engine Size	Notes:	Plug Type	MSD PN Single	MSD PN 4-Pack	Pre-Gap Setting**
1971-68	V8 6.4L		16IR5Y	3744	37444	0.035
1967-66	L6 3.9L		16IR5Y	3744	37444	0.035
1967-66	L6 4.9L		16IR5Y	3744	37444	0.035
1967-66	V8 5.8L		16IR5Y	3744	37444	0.035
1965	L6 3.9L		16IR5Y	3744	37444	0.035
1965	L6 4.9L		16IR5Y	3744	37444	0.035
1964-61	L6 3.6L		16IR5Y	3744	37444	0.035
1964-61	V8 4.8L		N/A	N/A	N/A	
1960	V8 4.8L		N/A	N/A	N/A	
<b>F-250 Super Duty</b>						
2010	V8 5.4L		4IR7Y	3717	37174	0.035
2010	V8 6.4L		N/A	N/A	N/A	
2010	V10 6.8L		4IR7Y	3717	37174	0.035
2009	V8 5.4L		4IR7Y	3717	37174	0.035
2009	V8 6.4L		N/A	N/A	N/A	
2009	V10 6.8L		4IR7Y	3717	37174	0.035
2008	V8 5.4L	w/Brwn Coil Boots; 8	4IR7Y	3717	37174	0.035
2008	V8 5.4L	w/ Black Coil Boots; Vin 5	3IR6	3716	37164	0.035
2008	V8 6.4L		N/A	N/A	N/A	
2008	V10 6.8L	w/Brwn Coil Boots;	4IR7Y	3717	37174	0.035
2008	V10 6.8L	w/ Black Coil Boots; Vin Y	3IR6	3716	37164	0.035
2007-05	V8 5.4L	w/ Black Coil Boots; Vin 5	3IR6	3716	37164	0.035
2007-05	V10 6.8L	w/ Black Coil Boots; Vin Y	3IR6	3716	37164	0.035
2004-03	V8 5.4L	8 CPBs Req	1IR5Y	3713	37134	0.043
2004-03	V10 6.8L	10 CPBs Req	1IR5Y	3713	37134	0.043
2002	V8 5.4L	8 CPBs Req	1IR5Y	3713	37134	0.043
2002	V10 6.8L	10 CPBs Req	1IR5Y	3713	37134	0.043
2001-99	V8 5.4L	8 CPBs Req	1IR5Y	3713	37134	0.043
2001-99	V10 6.8L	10 CPBs Req	1IR5Y	3713	37134	0.043
<b>F-350</b>						
1997	V8 5.8L		6IR5Y	3722	37224	0.035
1997	V8 7.5L		6IR5Y	3722	37224	0.035
1996-95	L6 4.9L		16IR5Y	3744	37444	0.035
1996-95	V8 5.8L		6IR5Y	3722	37224	0.035
1996-95	V8 7.5L		6IR4Y	3720	37204	0.035
1994-87	L6 4.9L		16IR5Y	3744	37444	0.035
1994-87	V8 5.8L		6IR5Y	3722	37224	0.035
1994-87	V8 7.5L		6IR4Y	3720	37204	0.035
1986	L6 4.9L		16IR5Y	3744	37444	0.035
1986	V8 5.8L		6IR5Y	3722	37224	0.035
1986	V8 7.5L		6IR4Y	3720	37204	0.035
1985-84	L6 4.9L	GAS	16IR5Y	3744	37444	0.035
1985-84	L6 4.9L	LPG	16IR5Y	3744	37444	0.035
1985-84	V8 5.8L	Vin G	6IR4Y	3720	37204	0.035
1985-84	V8 5.8L	Vin H	6IR5Y	3722	37224	0.035
1985-84	V8 7.5L		6IR4Y	3720	37204	0.035
1983	L6 4.9L		16IR5Y	3744	37444	0.035
1983	V8 5.8L		6IR4Y	3720	37204	0.035
1983	V8 7.5L		6IR4Y	3720	37204	0.035
1982	L6 4.9L	GAS	16IR5Y	3744	37444	0.035
1982	L6 4.9L	LPG	16IR5Y	3744	37444	0.035
1982	V8 5.8L		6IR4Y	3720	37204	0.035
1982	V8 6.6L		6IR4Y	3720	37204	0.035
1981	L6 4.9L		16IR5Y	3744	37444	0.035
1981	V8 5.8L		6IR4Y	3720	37204	0.035
1981	V8 6.6L		6IR4Y	3720	37204	0.035
1980	L6 4.9L		16IR5Y	3744	37444	0.035
1980	V8 5.0L		6IR5Y	3722	37224	0.035
1980	V8 5.8L		6IR4Y	3720	37204	0.035
1980	V8 6.6L		6IR4Y	3720	37204	0.035
1979	L6 4.9L		16IR5Y	3744	37444	0.035
1979	V8 5.0L		6IR4Y	3720	37204	0.035
1979	V8 5.8L		6IR4Y	3720	37204	0.035
1979	V8 6.6L	Vin S	6IR4Y	3720	37204	0.035
1979	V8 7.5L		6IR4Y	3720	37204	0.035
1978	L6 4.9L		16IR5Y	3744	37444	0.035
1978	V8 5.0L		6IR4Y	3720	37204	0.035
1978	V8 5.8L		6IR4Y	3720	37204	0.035
1978	V8 6.6L	Vin S	6IR4Y	3720	37204	0.035
1978	V8 7.5L		6IR4Y	3720	37204	0.035
1977	L6 4.9L		16IR5Y	3744	37444	0.035

Make Model Year	Engine Size	Notes:	Plug Type	MSD PN Single	MSD PN 4-Pack	Pre-Gap Setting**
1977	V8 5.0L		6IR4Y	3720	37204	0.035
1977	V8 5.8L		6IR4Y	3720	37204	0.035
1977	V8 6.6L	Vin S	6IR4Y	3720	37204	0.035
1977	V8 7.5L		6IR4Y	3720	37204	0.035
1976	L6 4.9L		16IR5Y	3744	37444	0.035
1976	V8 5.0L		6IR4Y	3720	37204	0.035
1976	V8 5.9L		16IR5Y	3744	37444	0.035
1976	V8 6.4L		16IR5Y	3744	37444	0.035
1976	V8 7.5L		6IR4Y	3720	37204	0.035
1975	L6 4.9L		16IR5Y	3744	37444	0.035
1975	V8 5.0L		6IR5Y	3722	37224	0.035
1975	V8 5.9L		16IR5Y	3744	37444	0.035
1975	V8 6.4L		16IR5Y	3744	37444	0.035
1975	V8 7.5L		6IR4Y	3720	37204	0.035
<b>F-350 Pickup</b>						
1974	L6 3.9L		16IR5Y	3744	37444	0.035
1974	L6 4.9L		16IR5Y	3744	37444	0.035
1974	V8 5.0L		16IR5Y	3744	37444	0.035
1974	V8 5.9L		16IR5Y	3744	37444	0.035
1974	V8 6.4L		16IR5Y	3744	37444	0.035
1974	V8 7.5L		6IR4Y	3720	37204	0.035
1973	L6 3.9L		16IR5Y	3744	37444	0.035
1973	L6 4.9L		16IR5Y	3744	37444	0.035
1973	V8 5.0L		16IR5Y	3744	37444	0.035
1973	V8 5.9L		16IR5Y	3744	37444	0.035
1973	V8 6.4L		16IR5Y	3744	37444	0.035
1973	V8 7.5L		6IR4Y	3720	37204	0.035
1972	L6 3.9L		16IR5Y	3744	37444	0.035
1972	L6 4.9L		16IR5Y	3744	37444	0.035
1972	V8 5.0L		16IR5Y	3744	37444	0.035
1972	V8 5.9L		16IR5Y	3744	37444	0.035
1972	V8 6.4L		16IR5Y	3744	37444	0.035
1971-68	L6 3.9L		16IR5Y	3744	37444	0.035
1971-68	L6 4.9L		16IR5Y	3744	37444	0.035
1971-68	V8 5.9L		16IR5Y	3744	37444	0.035
1971-68	V8 6.4L		16IR5Y	3744	37444	0.035
1967-66	L6 3.9L		16IR5Y	3744	37444	0.035
1967-66	L6 4.9L		16IR5Y	3744	37444	0.035
1967-66	V8 5.8L		16IR5Y	3744	37444	0.035
1965	L6 3.9L		16IR5Y	3744	37444	0.035
1965	L6 4.9L		16IR5Y	3744	37444	0.035
1964-63	L6 3.6L		16IR5Y	3744	37444	0.035
1964-63	L6 4.3L		N/A	N/A	N/A	
1964-63	V8 4.8L		N/A	N/A	N/A	
1962	L6 3.6L		16IR5Y	3744	37444	0.035
1962	L6 4.3L		16IR5Y	3744	37444	0.035
1962	V8 4.8L		N/A	N/A	N/A	
1961	L6 3.6L		16IR5Y	3744	37444	0.035
1961	V8 4.8L		N/A	N/A	N/A	
1960	V8 4.8L		N/A	N/A	N/A	
<b>F-350 Super Duty</b>						
2010	V8 5.4L		4IR7Y	3717	37174	0.035
2010	V8 6.4L		N/A	N/A	N/A	
2010	V10 6.8L		4IR7Y	3717	37174	0.035
2009	V8 5.4L		4IR7Y	3717	37174	0.035
2009	V8 6.4L		N/A	N/A	N/A	
2009	V10 6.8L		4IR7Y	3717	37174	0.035
2008	V8 5.4L	w/Brwn Coil Boots; 8 CPBs Req	4IR7Y	3717	37174	0.035
2008	V8 5.4L	w/ Black Coil Boots; Vin 5	3IR6	3716	37164	0.035
2008	V8 6.4L		N/A	N/A	N/A	
2008	V10 6.8L	w/Brwn Coil Boots; 10 CPBs Req	4IR7Y	3717	37174	0.035
2008	V10 6.8L	w/ Black Coil Boots; Vin Y	3IR6	3716	37164	0.035
2007-05	V8 5.4L	w/ Black Coil Boots; Vin 5	3IR6	3716	37164	0.035
2007-05	V10 6.8L	w/ Black Coil Boots; Vin Y	3IR6	3716	37164	0.035
2004	V8 5.4L	Vin L, 8 CPBs Req	1IR5Y	3713	37134	0.043
2004	V10 6.8L	10 CPBs Req	1IR5Y	3713	37134	0.043
2003	V8 5.4L	8 CPBs Req	1IR5Y	3713	37134	0.043
2003	V10 6.8L	10 CPBs Req	1IR5Y	3713	37134	0.043

CPB's = Coil Plug Boots  
 \*\* Pre-gapped for optimal performance.

\* Short Style 6 Series - PN 3741 (single), PN 37414 (4pk) - Pre-gapped 0.035  
 \* Short Style 7 Series - PN 3742 (single), PN 37424 (4pk) - Pre-gapped 0.035





**Ford F-350 Super Duty continued**

Make Model Year	Engine Size	Notes:	Plug Type	MSD PN Single	MSD PN 4-Pack	Pre-Gap Setting**
2002	V8 5.4L	8 CPBs Req	1IR5Y	3713	37134	0.043
2002	V10 6.8L	10 CPBs Req	1IR5Y	3713	37134	0.043
2001-99	V8 5.4L	8 CPBs Req	1IR5Y	3713	37134	0.043
2001-99	V10 6.8L	10 CPBs Req	1IR5Y	3713	37134	0.043
<b>F-450 Super Duty</b>						
2011	V10 6.8L		4IR7Y	3717	37174	0.035
2010-09	V8 6.4L		N/A	N/A	N/A	
2008	V8 6.4L		N/A	N/A	N/A	
2008	V10 6.8L	w/Brwn Coil Boots; 10 CPBs Req	4IR7Y	3717	37174	0.035
2007-05	V10 6.8L	w/Black Coil Boots; Vin Y 10 CPBs Req	3IR6	3716	37164	0.035
2004-03	V10 6.8L	10 CPBs Req	1IR5Y	3713	37134	0.043
2002	V10 6.8L	10 CPBs Req	1IR5Y	3713	37134	0.043
2001-99	V10 6.8L	10 CPBs Req	1IR5Y	3713	37134	0.043
<b>F-500</b>						
1977-75	V8 5.4L		N/A	N/A	N/A	
1977-75	V8 5.9L		16IR5Y	3744	37444	0.035
1977-75	V8 6.4L		16IR5Y	3744	37444	0.035
<b>F-550 Super Duty</b>						
2011	V10 6.8L		4IR7Y	3717	37174	0.035
2010-09	V8 6.4L		N/A	N/A	N/A	
2010-09	V10 6.8L		4IR7Y	3717	37174	0.035
2008	V8 6.4L		N/A	N/A	N/A	
2008	V10 6.8L	w/Brwn Coil Boots; 10 CPBs Req	4IR7Y	3717	37174	0.035
2007-05	V10 6.8L	w/Blk Coil Boots; Vin Y 10CPBs Req	3IR6	3716	37164	0.035
2004-99	V10 6.8L	10 CPBs Req	1IR5Y	3713	37134	0.043
<b>Fairlane</b>						
1970	L6 4.1L		16IR5Y	3744	37444	0.035
1970	V8 5.0L		16IR5Y	3744	37444	0.035
1970	V8 5.8L	Vin H, Cleveland Engine	6IR4Y	3720	37204	0.035
1970	V8 5.8L	Vin H, Windsor Engine	16IR5Y	3744	37444	0.035
1970	V8 5.8L	Vin M	6IR4Y	3720	37204	0.035
1970	V8 7.0L	Vin C	6IR4Y	3720	37204	0.035
1969	L6 4.1L		16IR5Y	3744	37444	0.035
1969	V8 5.0L		16IR5Y	3744	37444	0.035
1969	V8 5.8L		6IR4Y	3720	37204	0.035
1969	V8 6.4L		16IR5Y	3744	37444	0.035
1969	V8 7.0L		16IR5Y	3744	37444	0.035
1968	L6 3.3L		16IR5Y	3744	37444	0.035
1968	V8 4.7L		16IR5Y	3744	37444	0.035
1968	V8 5.0L		16IR5Y	3744	37444	0.035
1968	V8 6.4L		16IR5Y	3744	37444	0.035
1968	V8 7.0L	Vin R	16IR5Y	3744	37444	0.035
1967	L6 3.3L		16IR5Y	3744	37444	0.035
1967	V8 4.7L		16IR5Y	3744	37444	0.035
1967	V8 6.4L		16IR5Y	3744	37444	0.035
1967	V8 7.0L		16IR5Y	3744	37444	0.035
1966	L6 2.8L		16IR5Y	3744	37444	0.035
1966	L6 3.3L		16IR5Y	3744	37444	0.035
1966	V8 4.7L		16IR5Y	3744	37444	0.035
1966	V8 6.4L		16IR5Y	3744	37444	0.035
1966	V8 7.0L		16IR5Y	3744	37444	0.035
1965	L6 2.8L		16IR5Y	3744	37444	0.035
1965	L6 3.3L		16IR5Y	3744	37444	0.035
1965	V8 4.7L		16IR5Y	3744	37444	0.035
1965	V8 7.0L		16IR5Y	3744	37444	0.035
1964	L6 2.8L		16IR5Y	3744	37444	0.035
1964	V8 4.3L		16IR5Y	3744	37444	0.035
1964	V8 4.7L		16IR5Y	3744	37444	0.035
1964	V8 6.4L		16IR5Y	3744	37444	0.035
1964	V8 7.0L		16IR5Y	3744	37444	0.035
1963	L6 2.8L		16IR5Y	3744	37444	0.035
1963	V8 3.6L		16IR5Y	3744	37444	0.035
1963	V8 4.3L		16IR5Y	3744	37444	0.035
1962	L6 3.6L		16IR5Y	3744	37444	0.035
1962	V8 3.6L		16IR5Y	3744	37444	0.035
1962	V8 4.3L		16IR5Y	3744	37444	0.035
1961-60	L6 3.7L		16IR5Y	3744	37444	0.035
1961-60	V8 4.8L		16IR5Y	3744	37444	0.035
1961-60	V8 5.8L		16IR5Y	3744	37444	0.035
1959	L6 3.7L		16IR5Y	3744	37444	0.035

Make Model Year	Engine Size	Notes:	Plug Type	MSD PN Single	MSD PN 4-Pack	Pre-Gap Setting**
1959	V8 4.8L		16IR5Y	3744	37444	0.035
1959	V8 5.4L		16IR5Y	3744	37444	0.035
1959	V8 5.8L		16IR5Y	3744	37444	0.035
1958	L6 3.7L		16IR5Y	3744	37444	0.035
1958	V8 4.8L		16IR5Y	3744	37444	0.035
1958	V8 5.4L		16IR5Y	3744	37444	0.035
1957	L6 3.7L		16IR5Y	3744	37444	0.035
1957	V8 4.5L		16IR5Y	3744	37444	0.035
1957	V8 5.1L		16IR5Y	3744	37444	0.035
1956-55	L6 3.6L		16IR5Y	3744	37444	0.035
1956-55	V8 4.4L		16IR5Y	3744	37444	0.035
<b>Fairmont</b>						
1983	L4 2.3L		2IR5L	3715	37154	0.043
1983	L6 3.3L		16IR5Y	3744	37444	0.035
1982-80	L4 2.3L		1IR5Y	3713	37134	0.043
1982-80	L6 3.3L		16IR5Y	3744	37444	0.035
1982-80	V8 4.2L		6IR4Y	3720	37204	0.035
1979	L4 2.3L		1IR5Y	3713	37134	0.043
1979	L6 3.3L		16IR5Y	3744	37444	0.035
1979	V8 5.0L	From 2/79	6IR4Y	3720	37204	0.035
1979	V8 5.0L	To 2/79	6IR4Y	3720	37204	0.035
1978	L4 2.3L		1IR5Y	3713	37134	0.043
1978	L6 3.3L		16IR5Y	3744	37444	0.035
1978	V8 5.0L	California	6IR4Y	3720	37204	0.035
1978	V8 5.0L	Non-California	6IR4Y	3720	37204	0.035
<b>Falcon</b>						
1970	L6 3.3L		16IR5Y	3744	37444	0.035
1970	L6 4.1L		16IR5Y	3744	37444	0.035
1970	V8 5.0L		16IR5Y	3744	37444	0.035
1970	V8 5.8L		6IR4Y	3720	37204	0.035
1970	V8 7.0L		6IR5Y	3722	37224	0.035
1969	L6 2.8L		16IR5Y	3744	37444	0.035
1969	L6 3.3L		16IR5Y	3744	37444	0.035
1969	V8 5.0L		16IR5Y	3744	37444	0.035
1968	L6 2.8L		16IR5Y	3744	37444	0.035
1968	L6 3.3L		16IR5Y	3744	37444	0.035
1968	V8 4.7L		16IR5Y	3744	37444	0.035
1968	V8 5.0L		16IR5Y	3744	37444	0.035
1967-65	L6 2.8L		16IR5Y	3744	37444	0.035
1967-65	L6 3.3L		16IR5Y	3744	37444	0.035
1967-65	V8 4.7L		16IR5Y	3744	37444	0.035
1964	L6 2.4L		16IR5Y	3744	37444	0.035
1964	L6 2.8L		16IR5Y	3744	37444	0.035
1964	L6 3.3L		16IR5Y	3744	37444	0.035
1964	V8 4.3L		16IR5Y	3744	37444	0.035
1964	V8 4.7L		16IR5Y	3744	37444	0.035
1963	L6 2.4L		16IR5Y	3744	37444	0.035
1963	L6 2.8L		16IR5Y	3744	37444	0.035
1963	L6 3.3L		16IR5Y	3744	37444	0.035
1963	V8 4.3L		16IR5Y	3744	37444	0.035
1962-60	L6 2.4L		16IR5Y	3744	37444	0.035
1962-60	L6 2.8L		16IR5Y	3744	37444	0.035
<b>Falcon Sedan Delivery</b>						
1965	L6 2.8L		16IR5Y	3744	37444	0.035
1965	L6 3.3L		16IR5Y	3744	37444	0.035
1965	V8 4.7L		16IR5Y	3744	37444	0.035
1964	L6 2.4L		16IR5Y	3744	37444	0.035
1964	L6 2.8L		16IR5Y	3744	37444	0.035
1964	L6 3.3L		16IR5Y	3744	37444	0.035
1964	V8 4.3L		16IR5Y	3744	37444	0.035
1963	L6 2.4L		16IR5Y	3744	37444	0.035
1963	V8 4.3L		16IR5Y	3744	37444	0.035
1962	L6 2.4L		16IR5Y	3744	37444	0.035
1961	L6 2.4L		16IR5Y	3744	37444	0.035
1961	L6 2.8L		16IR5Y	3744	37444	0.035
<b>Festiva</b>						
1993-88	L4 1.3L		N/A	N/A	N/A	

\* Short Style 6 Series - PN 3741 (single), PN 37414 (4pk) - Pre-gapped 0.035  
 \* Short Style 7 Series - PN 3742 (single), PN 37424 (4pk) - Pre-gapped 0.035

CPB's = Coil Plug Boots  
 \*\* Pre-gapped for optimal performance.





Make Model Year	Engine Size	Notes:	Plug Type	MSD PN Single	MSD PN 4-Pack	Pre-Gap Setting**
<b>Fiesta</b>						
2013	L4 1.6L	FIESTA ST ECOBOOST	5IR6Y	3743	37434	0.032
2013	L4 1.6L		5IR6Y	3743	37434	0.032
2012	L4 1.6L	FIESTA ST ECOBOOST	5IR6Y	3743	37434	0.032
1980	L4 1.6L		1IR5Y	3713	37134	0.043
1979-78	L4 1.6L		1IR5Y	3713	37134	0.043
<b>Five Hundred</b>						
2007	V6 3.0L	6 CPBs Req	1IR5Y	3713	37134	0.043
2006	V6 3.0L	6 CPBs Req	1IR5Y	3713	37134	0.043
2005	V6 3.0L	6 CPBs Req	1IR5Y	3713	37134	0.043
<b>Flex</b>						
2012	V6 3.5L	C	5IR5Y	3719	37194	0.040
2012	V6 3.5L	T ECOBOOST	5IR6Y	3743	37434	0.032
2011-10	V6 3.5L	Naturally Aspirated	5IR5Y	3719	37194	0.040
2009	V6 3.5L		5IR5Y	3719	37194	0.040
<b>Focus</b>						
2013	L4 2.0L	ENG - 2	5IR6Y	3743	37434	0.032
2012	L4 2.0L	FOCUS ST ECOBOOST	5IR6Y	3743	37434	0.032
2012	L4 2.0L	ENG - 9	5IR6Y	3743	37434	0.032
2011	L4 2.0L		1IR5Y	3713	37134	0.043
2010-08	L4 2.0L	4 CPBs Req	1IR6Y	3714	37144	0.043
2007-06	L4 2.0L	4 CPBs Req	1IR6Y	3714	37144	0.043
2007-06	L4 2.3L	4 CPBs Req	1IR6Y	3714	37144	0.043
2005	L4 2.0L	4 CPBs Req	1IR5Y	3713	37134	0.043
2005	L4 2.3L	4 CPBs Req	1IR6Y	3714	37144	0.043
2004-03	L4 2.0L	Vin P	1IR5Y	3713	37134	0.043
2004-03	L4 2.0L	Vin 3, DOHC	5IR5Y	3719	37194	0.040
2004-03	L4 2.0L	Vin 5, DOHC	5IR5Y	3719	37194	0.040
2004-03	L4 2.3L	4 CPBs Req	1IR6Y	3714	37144	0.043
2002	L4 2.0L	Vin P	1IR5Y	3713	37134	0.043
2002	L4 2.0L	Vin 3, DOHC	5IR5Y	3719	37194	0.040
2002	L4 2.0L	Vin 5, DOHC	5IR5Y	3719	37194	0.040
2001	L4 2.0L	Vin P	1IR5Y	3713	37134	0.043
2001	L4 2.0L	Vin 3, DOHC	5IR5Y	3719	37194	0.040
<b>Ford</b>						
1949	L6 3.7L		15IR6	3740	37404	0.032
1949	V8 3.9L		15IR6	3740	37404	0.032
<b>Ford 300</b>						
1963	L6 3.3L		16IR5Y	3744	37444	0.035
1963	L6 3.6L		16IR5Y	3744	37444	0.035
1963	V8 4.3L		16IR5Y	3744	37444	0.035
1963	V8 4.7L		16IR5Y	3744	37444	0.035
<b>Freestar</b>						
2007-06	V6 3.9L		1IR5Y	3713	37134	0.043
2007-06	V6 4.2L		2IR5L	3715	37154	0.043
2005-04	V6 3.9L		1IR5Y	3713	37134	0.043
2005-04	V6 4.2L		1IR5Y	3713	37134	0.043
<b>Freestyle</b>						
2007-06	V6 3.0L	6 CPBs Req	1IR5Y	3713	37134	0.043
2005	V6 3.0L	6 CPBs Req	1IR5Y	3713	37134	0.043
<b>F Series</b>						
1959-58	L6 3.6L		16IR5Y	3744	37444	0.035
1959-58	V8 4.8L		N/A	N/A	N/A	
1959-58	V8 5.8L		N/A	N/A	N/A	
1957	L6 3.6L		16IR5Y	3744	37444	0.035
1957	V8 4.4L		N/A	N/A	N/A	
1957	V8 4.8L		N/A	N/A	N/A	
1957	V8 5.8L		N/A	N/A	N/A	
1956-55	L6 3.6L		16IR5Y	3744	37444	0.035
1956-55	V8 4.4L		16IR5Y	3744	37444	0.035
1954	L6 3.6L		15IR6	3740	37404	0.032
1954	V8 3.9L		15IR6	3740	37404	0.032
1953-51	L6 3.5L		15IR6	3740	37404	0.032
1953-51	V8 3.9L		15IR6	3740	37404	0.032
1950-49	L6 3.7L		15IR6	3740	37404	0.032
1950-49	V8 3.9L		15IR6	3740	37404	0.032

CPB's = Coil Plug Boots  
 \*\* Pre-gapped for optimal performance.

Make Model Year	Engine Size	Notes:	Plug Type	MSD PN Single	MSD PN 4-Pack	Pre-Gap Setting**
<b>F Super Duty</b>						
1997	V8 7.5L		6IR5Y	3722	37224	0.035
1996	V8 7.5L		6IR4Y	3720	37204	0.035
1995	V8 7.5L		6IR4Y	3720	37204	0.035
1994-90	V8 7.5L		6IR4Y	3720	37204	0.035
1988	V8 7.5L		6IR4Y	3720	37204	0.035
<b>Fusion</b>						
2013	L4 2.5L		5IR5Y	3719	37194	0.040
2013	L4 2.0L	ECOBOOST	5IR5Y	3719	37194	0.040
2012	L4 2.5L		5IR5Y	3719	37194	0.040
2012	L4 2.5L	VIN - 99G	1IR5Y	3713	37134	0.043
2011	L4 2.5L		5IR5Y	3719	37194	0.040
2011	V6 3.5L		5IR5Y	3719	37194	0.040
2010	L4 2.5L		5IR5Y	3719	37194	0.040
2010	V6 3.0L	From Prod. Date 8/3/09	1IR5Y	3713	37134	0.043
2010	V6 3.0L	To Prod. Date 8/3/09	1IR5Y	3713	37134	0.043
2010	V6 3.5L		5IR5Y	3719	37194	0.040
2009-08	L4 2.3L		5IR5Y	3719	37194	0.040
2009-08	V6 3.0L		1IR5Y	3713	37134	0.043
2007	L4 2.3L		5IR5Y	3719	37194	0.040
2007	V6 3.0L		1IR5Y	3713	37134	0.043
2006	L4 2.3L		5IR5Y	3719	37194	0.040
2006	V6 3.0L		1IR5Y	3713	37134	0.043
<b>Galaxie</b>						
1967	L6 3.9L		16IR5Y	3744	37444	0.035
1967	V8 4.7L		16IR5Y	3744	37444	0.035
1967	V8 6.4L		16IR5Y	3744	37444	0.035
1967	V8 7.0L		16IR5Y	3744	37444	0.035
1966-65	L6 3.9L		16IR5Y	3744	37444	0.035
1966-65	V8 4.7L		16IR5Y	3744	37444	0.035
1966-65	V8 5.8L		16IR5Y	3744	37444	0.035
1966-65	V8 6.4L		16IR5Y	3744	37444	0.035
1966-65	V8 7.0L		16IR5Y	3744	37444	0.035
1964	L6 3.6L		16IR5Y	3744	37444	0.035
1964	V8 4.3L		16IR5Y	3744	37444	0.035
1964	V8 4.7L		16IR5Y	3744	37444	0.035
1964	V8 5.8L		16IR5Y	3744	37444	0.035
1964	V8 6.4L		16IR5Y	3744	37444	0.035
1963	L6 3.3L		16IR5Y	3744	37444	0.035
1963	L6 3.6L		16IR5Y	3744	37444	0.035
1963	V8 4.7L		16IR5Y	3744	37444	0.035
1963	V8 6.4L		16IR5Y	3744	37444	0.035
1962	L6 3.6L		16IR5Y	3744	37444	0.035
1962	V8 4.8L		16IR5Y	3744	37444	0.035
1962	V8 6.4L		16IR5Y	3744	37444	0.035
1961	L6 3.6L		16IR5Y	3744	37444	0.035
1961	V8 4.8L		16IR5Y	3744	37444	0.035
1961	V8 5.8L		16IR5Y	3744	37444	0.035
1960	L6 3.7L		16IR5Y	3744	37444	0.035
1960	V8 4.8L		16IR5Y	3744	37444	0.035
1960	V8 5.8L		16IR5Y	3744	37444	0.035
1959	L6 3.6L		16IR5Y	3744	37444	0.035
1959	V8 4.8L		16IR5Y	3744	37444	0.035
1959	V8 5.4L		16IR5Y	3744	37444	0.035
1959	V8 5.8L		16IR5Y	3744	37444	0.035
<b>Galaxie 500</b>						
1974	V8 5.8L	Cleveland Engine	6IR4Y	3720	37204	0.035
1974	V8 5.8L	Windsor Engine	16IR5Y	3744	37444	0.035
1974	V8 6.6L		6IR4Y	3720	37204	0.035
1974	V8 7.5L		6IR4Y	3720	37204	0.035
1973	V8 5.8L	Cleveland Engine	6IR4Y	3720	37204	0.035
1973	V8 5.8L	Windsor Engine	16IR5Y	3744	37444	0.035
1973	V8 6.6L		6IR4Y	3720	37204	0.035
1973	V8 7.0L		6IR4Y	3720	37204	0.035
1973	V8 7.5L		6IR4Y	3720	37204	0.035
1972	L6 3.9L		16IR5Y	3744	37444	0.035
1972	V8 5.0L		16IR5Y	3744	37444	0.035
1972	V8 5.8L	Cleveland Engine	6IR4Y	3720	37204	0.035
1972	V8 5.8L	Windsor Engine	16IR5Y	3744	37444	0.035

\* Short Style 6 Series - PN 3741 (single), PN 37414 (4pk) - Pre-gapped 0.035  
 \* Short Style 7 Series - PN 3742 (single), PN 37424 (4pk) - Pre-gapped 0.035



**Ford Galaxie 500 continued**

Make Model Year	Engine Size	Notes:	Plug Type	MSD PN Single	MSD PN 4-Pack	Pre-Gap Setting**
1972	V8 6.6L		6IR4Y	3720	37204	0.035
1972	V8 7.0L	14mm Heads	6IR4Y	3720	37204	0.035
1972	V8 7.0L	18mm Heads	16IR5Y	3744	37444	0.035
1971	L6 3.9L		16IR5Y	3744	37444	0.035
1971	V8 5.0L		16IR5Y	3744	37444	0.035
1971	V8 5.8L	Cleveland Engine	6IR4Y	3720	37204	0.035
1971	V8 5.8L	Windsor Engine	16IR5Y	3744	37444	0.035
1971	V8 6.4L		16IR5Y	3744	37444	0.035
1971	V8 6.6L		6IR4Y	3720	37204	0.035
1971	V8 7.0L	14mm Heads	6IR4Y	3720	37204	0.035
1971	V8 7.0L	18mm Heads	16IR5Y	3744	37444	0.035
1970	L6 3.9L		16IR5Y	3744	37444	0.035
1970	V8 5.0L		16IR5Y	3744	37444	0.035
1970	V8 5.8L	Cleveland Engine	6IR4Y	3720	37204	0.035
1970	V8 5.8L	Windsor Engine	16IR5Y	3744	37444	0.035
1970	V8 6.4L		16IR5Y	3744	37444	0.035
1970	V8 7.0L	Vin K, 14mm Heads	6IR4Y	3720	37204	0.035
1970	V8 7.0L	Vin K, 18mm Heads	16IR5Y	3744	37444	0.035
1970	V8 7.0L	Vin N, 14mm Heads	6IR4Y	3720	37204	0.035
1970	V8 7.0L	Vin N, 18mm Heads	16IR5Y	3744	37444	0.035
1969	L6 3.9L		16IR5Y	3744	37444	0.035
1969	V8 5.0L		16IR5Y	3744	37444	0.035
1969	V8 5.8L		6IR4Y	3720	37204	0.035
1969	V8 6.4L		16IR5Y	3744	37444	0.035
1969	V8 7.0L		16IR5Y	3744	37444	0.035
1968	L6 3.9L		16IR5Y	3744	37444	0.035
1968	V8 5.0L		16IR5Y	3744	37444	0.035
1968	V8 6.4L		16IR5Y	3744	37444	0.035
1968	V8 7.0L		16IR5Y	3744	37444	0.035
<b>Granada</b>						
1982	L4 2.3L		1IR5Y	3713	37134	0.043
1982	L6 3.3L		16IR5Y	3744	37444	0.035
1982	V6 3.8L		7IR4Y	3724	37244	0.040
1981	L4 2.3L		1IR5Y	3713	37134	0.043
1981	L6 3.3L		16IR5Y	3744	37444	0.035
1981	V8 4.2L		6IR4Y	3720	37204	0.035
1980	L6 4.1L		16IR5Y	3744	37444	0.035
1980	V8 4.2L		6IR4Y	3720	37204	0.035
1980	V8 5.0L		6IR4Y	3720	37204	0.035
1979	L6 4.1L		16IR5Y	3744	37444	0.035
1979	V8 5.0L	From 2/79	6IR4Y	3720	37204	0.035
1979	V8 5.0L	To 2/79	6IR4Y	3720	37204	0.035
1978	L6 4.1L		16IR5Y	3744	37444	0.035
1978	V8 5.0L	California	6IR4Y	3720	37204	0.035
1978	V8 5.0L	Non-California	6IR4Y	3720	37204	0.035
1977	L6 3.3L		16IR5Y	3744	37444	0.035
1977	L6 4.1L		16IR5Y	3744	37444	0.035
1977	V8 5.0L	California	6IR4Y	3720	37204	0.035
1977	V8 5.0L	Non-California	6IR4Y	3720	37204	0.035
1977	V8 5.8L		6IR4Y	3720	37204	0.035
1976-75	L6 3.3L		16IR5Y	3744	37444	0.035
1976-75	L6 4.1L		16IR5Y	3744	37444	0.035
1976-75	V8 5.0L		6IR4Y	3720	37204	0.035
1976-75	V8 5.8L		6IR4Y	3720	37204	0.035
<b>Gran Torino</b>						
1976-75	V8 5.8L		6IR4Y	3720	37204	0.035
1976-75	V8 6.6L		6IR4Y	3720	37204	0.035
1976-75	V8 7.5L		6IR4Y	3720	37204	0.035
1974	L6 4.1L		16IR5Y	3744	37444	0.035
1974	V8 5.0L		16IR5Y	3744	37444	0.035
1974	V8 5.8L	Cleveland Engine	6IR4Y	3720	37204	0.035
1974	V8 5.8L	Windsor Engine	16IR5Y	3744	37444	0.035
1974	V8 6.6L		6IR4Y	3720	37204	0.035
1974	V8 7.5L		6IR4Y	3720	37204	0.035
1973	L6 4.1L		16IR5Y	3744	37444	0.035
1973	V8 5.0L		16IR5Y	3744	37444	0.035
1973	V8 5.8L	Cleveland Engine	6IR4Y	3720	37204	0.035
1973	V8 5.8L	Windsor Engine	16IR5Y	3744	37444	0.035
1973	V8 6.6L		6IR4Y	3720	37204	0.035
1973	V8 7.0L		6IR4Y	3720	37204	0.035
1972	L6 4.1L		16IR5Y	3744	37444	0.035

Make Model Year	Engine Size	Notes:	Plug Type	MSD PN Single	MSD PN 4-Pack	Pre-Gap Setting**
1972	V8 5.0L		16IR5Y	3744	37444	0.035
1972	V8 5.8L	Cleveland Engine	6IR4Y	3720	37204	0.035
1972	V8 5.8L	Windsor Engine	16IR5Y	3744	37444	0.035
1972	V8 6.6L		16IR5Y	3744	37444	0.035
1972	V8 7.0L	14mm Heads	6IR4Y	3720	37204	0.035
1972	V8 7.0L	18mm Heads	16IR5Y	3744	37444	0.035
<b>GT</b>						
2006-05	V8 5.4L	8 CPBs Req	1IR6Y	3714	37144	0.043
<b>LTD</b>						
1986	L4 2.3L		2IR5L	3715	37154	0.043
1986	V6 3.8L		2IR5L	3715	37154	0.043
1986	V8 5.0L		2IR5L	3715	37154	0.043
1986	V8 5.8L		6IR4Y	3720	37204	0.035
1985	L4 2.3L	GAS	2IR5L	3715	37154	0.043
1985	L4 2.3L	LPG	1IR5Y	3713	37134	0.043
1985	V6 3.8L		2IR5L	3715	37154	0.043
1985	V8 5.0L	CARB	6IR4Y	3720	37204	0.035
1985	V8 5.0L	FI	6IR4Y	3720	37204	0.035
1985	V8 5.8L		6IR4Y	3720	37204	0.035
1984	L4 2.3L	GAS	2IR5L	3715	37154	0.043
1984	L4 2.3L	LPG	1IR5Y	3713	37134	0.043
1984	V6 3.8L		2IR5L	3715	37154	0.043
1984	V8 5.0L	CARB	6IR4Y	3720	37204	0.035
1984	V8 5.0L	FI	6IR4Y	3720	37204	0.035
1984	V8 5.8L		6IR4Y	3720	37204	0.035
1983	L4 2.3L	GAS	2IR5L	3715	37154	0.043
1983	L4 2.3L	LPG	1IR5Y	3713	37134	0.043
1983	L6 3.3L		16IR5Y	3744	37444	0.035
1983	V6 3.8L		1IR5Y	3713	37134	0.043
1983	V8 5.0L		6IR4Y	3720	37204	0.035
1983	V8 5.8L		6IR4Y	3720	37204	0.035
1982	V8 4.2L		6IR4Y	3720	37204	0.035
1982	V8 5.0L		6IR4Y	3720	37204	0.035
1982	V8 5.8L		6IR4Y	3720	37204	0.035
1981	V8 4.2L		6IR4Y	3720	37204	0.035
1981	V8 5.0L		6IR4Y	3720	37204	0.035
1981	V8 5.8L	H.O.	6IR4Y	3720	37204	0.035
1981	V8 5.8L	W/O H.O.	6IR4Y	3720	37204	0.035
1980-79	V8 5.0L		6IR4Y	3720	37204	0.035
1980-79	V8 5.8L		6IR4Y	3720	37204	0.035
1978-77	V8 5.0L	California	6IR4Y	3720	37204	0.035
1978-77	V8 5.0L	Non-California	6IR4Y	3720	37204	0.035
1978-77	V8 5.8L		6IR4Y	3720	37204	0.035
1978-77	V8 6.6L	California	6IR4Y	3720	37204	0.035
1978-77	V8 6.6L	Non-California	6IR4Y	3720	37204	0.035
1978-77	V8 7.5L		6IR4Y	3720	37204	0.035
1976-75	V8 5.8L		6IR4Y	3720	37204	0.035
1976-75	V8 6.6L		6IR4Y	3720	37204	0.035
1976-75	V8 7.5L		6IR4Y	3720	37204	0.035
1974	V8 5.8L	Cleveland Engine	6IR4Y	3720	37204	0.035
1974	V8 5.8L	Windsor Engine	16IR5Y	3744	37444	0.035
1974	V8 6.6L		6IR4Y	3720	37204	0.035
1974	V8 7.5L		6IR4Y	3720	37204	0.035
1973	V8 5.8L	Cleveland Engine	6IR4Y	3720	37204	0.035
1973	V8 5.8L	Windsor Engine	16IR5Y	3744	37444	0.035
1973	V8 6.6L		6IR4Y	3720	37204	0.035
1973	V8 7.0L		6IR4Y	3720	37204	0.035
1973	V8 7.5L		6IR4Y	3720	37204	0.035
1972	V8 5.0L		16IR5Y	3744	37444	0.035
1972	V8 5.8L	Cleveland Engine	6IR4Y	3720	37204	0.035
1972	V8 5.8L	Windsor Engine	16IR5Y	3744	37444	0.035
1972	V8 6.6L	14mm Heads	6IR4Y	3720	37204	0.035
1972	V8 6.6L	18mm Heads	16IR5Y	3744	37444	0.035
1972	V8 7.0L		16IR5Y	3744	37444	0.035
1972	V8 7.5L		6IR4Y	3720	37204	0.035
1971	V8 5.0L		16IR5Y	3744	37444	0.035
1971	V8 5.8L	Cleveland Engine	6IR4Y	3720	37204	0.035
1971	V8 5.8L	Windsor Engine	16IR5Y	3744	37444	0.035
1971	V8 6.4L		16IR5Y	3744	37444	0.035
1971	V8 6.6L	14mm Heads	6IR4Y	3720	37204	0.035
1971	V8 6.6L	18mm Heads	16IR5Y	3744	37444	0.035

\* Short Style 6 Series - PN 3741 (single), PN 37414 (4pk) - Pre-gapped 0.035  
 \* Short Style 7 Series - PN 3742 (single), PN 37424 (4pk) - Pre-gapped 0.035

CPB's = Coil Plug Boots  
 \*\* Pre-gapped for optimal performance.



Make Model Year	Engine Size	Notes:	Plug Type	MSD PN Single	MSD PN 4-Pack	Pre-Gap Setting**
1971	V8 7.0L	14mm Heads	6IR4Y	3720	37204	0.035
1971	V8 7.0L	18mm Heads	16IR5Y	3744	37444	0.035
1970	V8 5.0L		16IR5Y	3744	37444	0.035
1970	V8 5.8L	Cleveland Engine	6IR4Y	3720	37204	0.035
1970	V8 5.8L	Windsor Engine	16IR5Y	3744	37444	0.035
1970	V8 6.4L		16IR5Y	3744	37444	0.035
1970	V8 7.0L	Vin K, 14mm Heads	6IR4Y	3720	37204	0.035
1970	V8 7.0L	Vin K, 18mm Heads	16IR5Y	3744	37444	0.035
1970	V8 7.0L	Vin N, 14mm Heads	6IR4Y	3720	37204	0.035
1970	V8 7.0L	Vin N, 18mm Heads	16IR5Y	3744	37444	0.035
1969	V8 5.0L		16IR5Y	3744	37444	0.035
1969	V8 5.8L		16IR5Y	3744	37444	0.035
1969	V8 6.4L		16IR5Y	3744	37444	0.035
1969	V8 7.0L		16IR5Y	3744	37444	0.035
1968	V8 4.7L		16IR5Y	3744	37444	0.035
1968	V8 5.0L		16IR5Y	3744	37444	0.035
1968	V8 6.4L		16IR5Y	3744	37444	0.035
1968	V8 7.0L		16IR5Y	3744	37444	0.035
1967	V8 4.7L		16IR5Y	3744	37444	0.035
1967	V8 6.4L		16IR5Y	3744	37444	0.035
1967	V8 7.0L		16IR5Y	3744	37444	0.035
1966-65	V8 6.4L		16IR5Y	3744	37444	0.035
1966-65	V8 7.0L		16IR5Y	3744	37444	0.035
<b>LTD Crown Victoria</b>						
1991-87	V8 5.0L		2IR5L	3715	37154	0.043
1991-87	V8 5.8L		6IR4Y	3720	37204	0.035
<b>LTD II</b>						
1979	V8 5.0L	From 2/79	6IR4Y	3720	37204	0.035
1979	V8 5.0L	To 2/79	6IR4Y	3720	37204	0.035
1979	V8 5.8L		6IR4Y	3720	37204	0.035
1978-77	V8 5.0L	California	6IR4Y	3720	37204	0.035
1978-77	V8 5.0L	Non-California	6IR4Y	3720	37204	0.035
1978-77	V8 5.8L		6IR4Y	3720	37204	0.035
1978-77	V8 6.6L	California	6IR4Y	3720	37204	0.035
1978-77	V8 6.6L	Non-California	6IR4Y	3720	37204	0.035
<b>M-400</b>						
1973	V8 5.9L		16IR5Y	3744	37444	0.035
1973	V8 6.4L		16IR5Y	3744	37444	0.035
1971	V8 6.4L		16IR5Y	3744	37444	0.035
<b>M-450</b>						
1974	V8 5.9L		16IR5Y	3744	37444	0.035
<b>Mainline</b>						
1956	L6 3.6L		16IR5Y	3744	37444	0.035
1956	V8 4.4L		16IR5Y	3744	37444	0.035
1956	V8 4.8L		16IR5Y	3744	37444	0.035
1956	V8 5.1L		16IR5Y	3744	37444	0.035
1955	L6 3.6L		16IR5Y	3744	37444	0.035
1955	V8 4.4L		16IR5Y	3744	37444	0.035
1954	L6 3.6L		15IR6	3740	37404	0.032
1954	V8 3.9L		15IR6	3740	37404	0.032
1954	V8 4.2L		15IR6	3740	37404	0.032
1953	L6 3.5L		15IR6	3740	37404	0.032
1953	V8 3.7L		15IR6	3740	37404	0.032
1953	V8 3.9L		15IR6	3740	37404	0.032
1952	L6 3.5L		15IR6	3740	37404	0.032
1952	V8 3.9L		15IR6	3740	37404	0.032
<b>Maverick</b>						
1977	L6 3.3L		16IR5Y	3744	37444	0.035
1977	L6 4.1L		16IR5Y	3744	37444	0.035
1977	V8 5.0L	California	6IR4Y	3720	37204	0.035
1977	V8 5.0L	Non-California	6IR4Y	3720	37204	0.035
1976	L6 3.3L		16IR5Y	3744	37444	0.035
1976	L6 4.1L		16IR5Y	3744	37444	0.035
1976	V8 5.0L		6IR4Y	3720	37204	0.035
1975	L6 3.3L		16IR5Y	3744	37444	0.035
1975	L6 4.1L		16IR5Y	3744	37444	0.035
1975	V8 5.0L		6IR4Y	3720	37204	0.035
1974	L6 3.3L		16IR5Y	3744	37444	0.035
1974	L6 4.1L		16IR5Y	3744	37444	0.035

CPB's = Coil Plug Boots  
 \*\* Pre-gapped for optimal performance.

Make Model Year	Engine Size	Notes:	Plug Type	MSD PN Single	MSD PN 4-Pack	Pre-Gap Setting**
1974	V8 5.0L		16IR5Y	3744	37444	0.035
1973	L6 3.3L		16IR5Y	3744	37444	0.035
1973	L6 4.1L		16IR5Y	3744	37444	0.035
1973	V8 5.0L		16IR5Y	3744	37444	0.035
1972-71	L6 2.8L		16IR5Y	3744	37444	0.035
1972-71	L6 3.3L		16IR5Y	3744	37444	0.035
1972-71	L6 4.1L		16IR5Y	3744	37444	0.035
1972-71	V8 5.0L		16IR5Y	3744	37444	0.035
1970	L6 2.8L		16IR5Y	3744	37444	0.035
1970	L6 3.3L		16IR5Y	3744	37444	0.035
1970	L6 4.1L		16IR5Y	3744	37444	0.035
<b>Mustang</b>						
2012	V8 5.0L		5IR5Y	3719	37194	0.040
2012	V8 5.4L		1IR6Y	3714	37144	0.043
2013	V8 5.8L	VIN - 99Z	1IR6Y	3714	37144	0.043
2013	V6 3.7L	VIN - 99M	5IR5Y	3719	37194	0.040
2013	V8 5.0L	VIN - 99U	5IR5Y	3719	37194	0.040
2012	V8 5.8L	VIN - 99Z	1IR6Y	3714	37144	0.043
2012	V6 3.7L	VIN - 99M	5IR5Y	3719	37194	0.040
2012	V8 5.0L	VIN - 99F	5IR5Y	3719	37194	0.040
2011	V6 3.7L	VIN - 99M	5IR5Y	3719	37194	0.040
2011	V8 5.4L		1IR6Y	3714	37144	0.043
2011	V8 5.0L		5IR5Y	3719	37194	0.040
2010	V6 4.0L		2IR5L	3715	37154	0.043
2010	V8 4.6L		4IR7Y	3717	37174	0.035
2010	V8 5.4L	8 CPBs Req	1IR6Y	3714	37144	0.043
2009	V6 4.0L		2IR5L	3715	37154	0.043
2009	V8 4.6L		4IR7Y	3717	37174	0.035
2009	V8 5.4L	8 CPBs Req	1IR6Y	3714	37144	0.043
2008	V6 4.0L		2IR5L	3715	37154	0.043
2008	V8 4.6L	w/Brwn Coil Boots; 8 CPBs Req	4IR7Y	3717	37174	0.035
2008	V8 4.6L	w/ Black Coil Boots; Vin H	3IR6	3716	37164	0.035
2008	V8 5.4L	8 CPBs Req	1IR6Y	3714	37144	0.043
2007	V6 4.0L		2IR5L	3715	37154	0.043
2007	V8 4.6L	w/ Black Coil Boots; Vin H	3IR6	3716	37164	0.035
2007	V8 5.4L	8 CPBs Req	1IR6Y	3714	37144	0.043
2006	V6 4.0L		2IR5L	3715	37154	0.043
2006	V8 4.6L	w/ Black Coil Boots; Vin H	3IR6	3716	37164	0.035
2005	V6 4.0L		2IR5L	3715	37154	0.043
2005	V8 4.6L	w/ Black Coil Boots; Vin H	3IR6	3716	37164	0.035
2004	V6 3.8L		1IR5Y	3713	37134	0.043
2004	V6 3.9L		1IR5Y	3713	37134	0.043
2004	V8 4.6L	Vin R, DOHC, 8 CPBs Req	1IR5Y	3713	37134	0.043
2004	V8 4.6L	Vin R, SOHC, 8 CPBs Req	1IR5Y	3713	37134	0.043
2004	V8 4.6L	Vin X, DOHC, 8 CPBs Req	1IR5Y	3713	37134	0.043
2004	V8 4.6L	Vin X, SOHC, 8 CPBs Req	1IR5Y	3713	37134	0.043
2004	V8 4.6L	Vin Y, DOHC, 8 CPBs Req	1IR6Y	3714	37144	0.043
2004	V8 4.6L	Vin Y, SOHC, 8 CPBs Req	1IR6Y	3714	37144	0.043
2003	V6 3.8L		1IR5Y	3713	37134	0.043
2003	V8 4.6L	Equipado, DOHC, 8 CPBs Req	1IR5Y	3713	37134	0.043
2003	V8 4.6L	Equipado, SOHC, 8 CPBs Req	1IR5Y	3713	37134	0.043
2003	V8 4.6L	GT, DOHC, 8 CPBs Req	1IR5Y	3713	37134	0.043
2003	V8 4.6L	GT, SOHC, 8 CPBs Req	1IR5Y	3713	37134	0.043
2003	V8 4.6L	Mach I, DOHC, 8 CPBs Req	1IR5Y	3713	37134	0.043
2003	V8 4.6L	Mach I, SOHC, 8 CPBs Req	1IR5Y	3713	37134	0.043
2003	V8 4.6L	SVT Cobra 10th Anniv DOHC, 8CPBs Req	1IR5Y	3713	37134	0.043
2003	V8 4.6L	SVT Cobra 10th Anniv DOHC, 8CPBs Req	1IR5Y	3713	37134	0.043
2003	V8 4.6L	SVT Cobra, DOHC, 8 CPBs Req	1IR6Y	3714	37144	0.043
2003	V8 4.6L	SVT Cobra, DOHC, 8 CPBs Req	1IR6Y	3714	37144	0.043
2002	V6 3.8L		1IR5Y	3713	37134	0.043
2002	V8 4.6L	8 CPBs Req	1IR5Y	3713	37134	0.043
2001	V6 3.8L		1IR5Y	3713	37134	0.043
2001	V8 4.6L	DOHC, 8 CPBs Req	1IR5Y	3713	37134	0.043
2001	V8 4.6L	SOHC, 8 CPBs Req	1IR5Y	3713	37134	0.043
2000	V6 3.8L		1IR5Y	3713	37134	0.043
2000	V8 4.6L	8 CPBs Req	1IR5Y	3713	37134	0.043
2000	V8 5.4L	8 CPBs Req	1IR5Y	3713	37134	0.043
1999	V6 3.8L		1IR5Y	3713	37134	0.043
1999	V8 4.6L	DOHC, 8 CPBs Req	1IR5Y	3713	37134	0.043
1999	V8 4.6L	SOHC, 8 CPBs Req	1IR5Y	3713	37134	0.043
1998	V6 3.8L		1IR5Y	3713	37134	0.043

\* Short Style 6 Series - PN 3741 (single), PN 37414 (4pk) - Pre-gapped 0.035  
 \* Short Style 7 Series - PN 3742 (single), PN 37424 (4pk) - Pre-gapped 0.035





**Ford Mustang continued**

Make Model Year	Engine Size	Notes:	Plug Type	MSD PN Single	MSD PN 4-Pack	Pre-Gap Setting**
1998	V8 4.6L		1R5Y	3713	37134	0.043
1997-96	V6 3.8L		1R5Y	3713	37134	0.043
1997-96	V8 4.6L		1R5Y	3713	37134	0.043
1995	V6 3.8L		1R5Y	3713	37134	0.043
1995	V8 5.0L	Vin D	1R5Y	3713	37134	0.043
1995	V8 5.0L	Vin T	6R4Y	3720	37204	0.035
1995	V8 5.8L		6R6Y *	3723	37234	0.035
1994	V6 3.8L		1R5Y	3713	37134	0.043
1994	V8 5.0L	Vin D	1R5Y	3713	37134	0.043
1994	V8 5.0L	Vin T	6R4Y	3720	37204	0.035
1993	L4 2.3L		1R5Y	3713	37134	0.043
1993	V8 5.0L	Vin D	1R5Y	3713	37134	0.043
1993	V8 5.0L	Vin E	6R4Y	3720	37204	0.035
1992-91	L4 2.3L		1R5Y	3713	37134	0.043
1992-91	V8 5.0L		6R4Y	3720	37204	0.035
1990-87	L4 2.3L		2R5L	3715	37154	0.043
1990-87	V8 5.0L		6R4Y	3720	37204	0.035
1986	L4 2.3L	Natural Aspirated	2R5L	3715	37154	0.043
1986	L4 2.3L	Turbo	1R5Y	3713	37134	0.043
1986	V6 3.8L		2R5L	3715	37154	0.043
1986	V8 5.0L		2R5L	3715	37154	0.043
1985	L4 2.3L	Natural Aspirated	2R5L	3715	37154	0.043
1985	L4 2.3L	Turbo	1R5Y	3713	37134	0.043
1985	V6 3.8L		2R5L	3715	37154	0.043
1985	V8 5.0L	CARB	6R4Y	3720	37204	0.035
1985	V8 5.0L	FI	6R4Y	3720	37204	0.035
1984	L4 2.3L	Natural Aspirated	2R5L	3715	37154	0.043
1984	L4 2.3L	Turbo	1R5Y	3713	37134	0.043
1984	V6 3.8L		2R5L	3715	37154	0.043
1984	V8 5.0L	CARB	6R4Y	3720	37204	0.035
1984	V8 5.0L	FI	6R4Y	3720	37204	0.035
1983	L4 2.3L	Naturally Aspirated	2R5L	3715	37154	0.043
1983	L4 2.3L	Turbo	1R5Y	3713	37134	0.043
1983	V6 3.8L		1R5Y	3713	37134	0.043
1983	V8 5.0L		6R5Y	3722	37224	0.035
1982	L4 2.3L		1R5Y	3713	37134	0.043
1982	L6 3.3L		16R5Y	3744	37444	0.035
1982	V8 4.2L		6R4Y	3720	37204	0.035
1982	V8 5.0L		6R4Y	3720	37204	0.035
1981-80	L4 2.3L		1R5Y	3713	37134	0.043
1981-80	L6 3.3L		16R5Y	3744	37444	0.035
1981-80	V8 4.2L		6R4Y	3720	37204	0.035
1979	L4 2.3L		1R5Y	3713	37134	0.043
1979	L6 3.3L		16R5Y	3744	37444	0.035
1979	V6 2.8L		1R5Y	3713	37134	0.043
1979	V8 5.0L	California	6R4Y	3720	37204	0.035
1979	V8 5.0L	Non-California	6R4Y	3720	37204	0.035
1973	L6 4.1L		16R5Y	3744	37444	0.035
1973	V8 5.0L		16R5Y	3744	37444	0.035
1973	V8 5.8L	Cleveland Engine	6R4Y	3720	37204	0.035
1973	V8 5.5L	Windsor Engine	16R5Y	3744	37444	0.035
1972	L6 4.1L		16R5Y	3744	37444	0.035
1972	V8 5.0L	H.O.	6R6Y *	3723	37234	0.035
1972	V8 5.0L	W/O H.O.	16R5Y	3744	37444	0.035
1972	V8 5.8L	Cleveland Engine	6R4Y	3720	37204	0.035
1972	V8 5.8L	Windsor Engine	16R5Y	3744	37444	0.035
1971	L6 4.1L		16R5Y	3744	37444	0.035
1971	V8 5.0L	H.O.	6R6Y *	3723	37234	0.035
1971	V8 5.0L	W/O H.O.	16R5Y	3744	37444	0.035
1971	V8 5.8L	Cleveland Engine	6R4Y	3720	37204	0.035
1971	V8 5.8L	Windsor Engine	16R5Y	3744	37444	0.035
1971	V8 7.0L		6R4Y	3720	37204	0.035
1970	L6 3.3L		16R5Y	3744	37444	0.035
1970	L6 4.1L		16R5Y	3744	37444	0.035
1970	V8 5.0L	H.O.	6R6Y *	3723	37234	0.035
1970	V8 5.0L	W/O H.O.	16R5Y	3744	37444	0.035
1970	V8 5.8L	Cleveland Engine	6R4Y	3720	37204	0.035
1970	V8 5.8L	Windsor Engine	16R5Y	3744	37444	0.035
1970	V8 7.0L	Vin Q	16R5Y	3744	37444	0.035
1970	V8 7.0L	Vin Z	6R4Y	3720	37204	0.035
1969	L6 3.3L		16R5Y	3744	37444	0.035

Make Model Year	Engine Size	Notes:	Plug Type	MSD PN Single	MSD PN 4-Pack	Pre-Gap Setting**
1969	L6 4.1L		16R5Y	3744	37444	0.035
1969	V8 5.0L	Vin F	16R5Y	3744	37444	0.035
1969	V8 5.8L		6R4Y	3720	37204	0.035
1969	V8 6.4L		16R5Y	3744	37444	0.035
1969	V8 7.0L	Vin Q	16R5Y	3744	37444	0.035
1969	V8 7.0L	Vin Z	6R4Y	3720	37204	0.035
1968	L6 3.3L		16R5Y	3744	37444	0.035
1968	V8 4.7L		16R5Y	3744	37444	0.035
1968	V8 5.0L		16R5Y	3744	37444	0.035
1968	V8 6.4L		16R5Y	3744	37444	0.035
1968	V8 7.0L		16R5Y	3744	37444	0.035
1967	L6 3.3L		16R5Y	3744	37444	0.035
1967	V8 4.7L		16R5Y	3744	37444	0.035
1967	V8 6.4L		16R5Y	3744	37444	0.035
1966	L6 3.3L		16R5Y	3744	37444	0.035
1966	V8 4.7L		16R5Y	3744	37444	0.035
1965	L6 2.8L		16R5Y	3744	37444	0.035
1965	L6 3.3L		16R5Y	3744	37444	0.035
1965	V8 4.7L		16R5Y	3744	37444	0.035
1964	L6 2.8L		16R5Y	3744	37444	0.035
1964	L6 3.3L		16R5Y	3744	37444	0.035
1964	V8 4.3L		16R5Y	3744	37444	0.035
1964	V8 4.7L		16R5Y	3744	37444	0.035

**Mustang II**

1978-77	L4 2.3L		1R5Y	3713	37134	0.043
1978-77	V6 2.8L		1R5Y	3713	37134	0.043
1978-77	V8 5.0L	California	6R4Y	3720	37204	0.035
1978-77	V8 5.0L	Non-California	6R4Y	3720	37204	0.035
1976-75	L4 2.3L		1R5Y	3713	37134	0.043
1976-75	V6 2.8L		11R5Y	3733	37334	0.035
1976-75	V8 5.0L		6R4Y	3720	37204	0.035
1974	L4 2.0L		16R5Y	3744	37444	0.035
1974	L4 2.3L		1R5Y	3713	37134	0.043
1974	V6 2.8L		11R5Y	3733	37334	0.035

**P-100**

1966-65	L6 2.8L		16R5Y	3744	37444	0.035
---------	---------	--	-------	------	-------	-------

**P-350**

1976	L6 4.9L	Heavy Duty	16R5Y	3744	37444	0.035
1976	L6 4.9L	Light Duty	16R5Y	3744	37444	0.035
1976	V8 5.0L		6R4Y	3720	37204	0.035
1976	V8 6.6L		6R4Y	3720	37204	0.035
1975	L6 4.9L		16R5Y	3744	37444	0.035
1974	L6 4.9L		16R5Y	3744	37444	0.035
1973	L6 4.9L		16R5Y	3744	37444	0.035
1973	V8 5.9L		16R5Y	3744	37444	0.035
1973	V8 6.4L		16R5Y	3744	37444	0.035
1972	L6 3.9L		16R5Y	3744	37444	0.035
1972	L6 4.9L		16R5Y	3744	37444	0.035
1972	V8 5.0L		16R5Y	3744	37444	0.035
1972	V8 6.4L		16R5Y	3744	37444	0.035
1971-68	L6 3.9L		16R5Y	3744	37444	0.035
1971-68	L6 4.9L		16R5Y	3744	37444	0.035

**P-400**

1976	L6 4.9L		16R5Y	3744	37444	0.035
1976	V8 5.0L		6R4Y	3720	37204	0.035
1976	V8 6.6L		6R4Y	3720	37204	0.035
1975	L6 4.9L		16R5Y	3744	37444	0.035
1975	V8 5.0L		6R4Y	3720	37204	0.035
1975	V8 6.6L		N/A	N/A	N/A	

**P-500**

1977-76	L6 4.9L		16R5Y	3744	37444	0.035
1977-76	V8 5.0L		6R4Y	3720	37204	0.035
1977-76	V8 6.6L		6R4Y	3720	37204	0.035
1975	L6 4.9L		16R5Y	3744	37444	0.035
1975	V8 5.0L		6R4Y	3720	37204	0.035
1975	V8 6.6L		N/A	N/A	N/A	

**Park Lane Wagon**

1956	L6 3.6L		16R5Y	3744	37444	0.035
1956	V8 4.4L		16R5Y	3744	37444	0.035





Make Model Year	Engine Size	Notes:	Plug Type	MSD PN Single	MSD PN 4-Pack	Pre-Gap Setting**
<b>Pinto</b>						
1980	L4 2.3L		11R5Y	3713	37134	0.043
1979-77	L4 2.3L		11R5Y	3713	37134	0.043
1979-77	V6 2.8L		11R5Y	3713	37134	0.043
1976-75	L4 2.3L		11R5Y	3713	37134	0.043
1976-75	V6 2.8L		11R5Y	3733	37334	0.035
1974	L4 2.0L		16R5Y	3744	37444	0.035
1974	L4 2.3L		11R5Y	3713	37134	0.043
1973-71	L4 1.6L		11R5Y	3733	37334	0.035
1973-71	L4 2.0L		16R5Y	3744	37444	0.035
<b>Probe</b>						
1997-95	L4 2.0L	Automatic	71R6Y *	3727	37274	0.043
1997-95	L4 2.0L	Standard	71R6Y *	3727	37274	0.043
1997-95	V6 2.5L		71R6Y *	3727	37274	0.043
1994-93	L4 2.0L	Automatic	71R6Y *	3727	37274	0.043
1994-93	L4 2.0L	Standard	71R6Y *	3727	37274	0.043
1994-93	V6 2.5L		71R6Y *	3727	37274	0.043
1992	L4 2.2L	Naturally Aspirated	71R6Y *	3727	37274	0.043
1992	L4 2.2L	Turbo	71R6Y *	3727	37274	0.043
1992	V6 3.0L		11R5Y	3713	37134	0.043
1991	L4 2.2L	Natural Aspirated	71R6Y *	3727	37274	0.043
1991	L4 2.2L	Turbo	71R6Y *	3727	37274	0.043
1991	V6 3.0L		11R5Y	3713	37134	0.043
1990	L4 2.2L	Naturally Aspirated	71R6Y *	3727	37274	0.043
1990	L4 2.2L	Turbo	71R6Y *	3727	37274	0.043
1990	V6 3.0L		11R5Y	3713	37134	0.043
1989	L4 2.2L	Natural Aspirated	71R6Y *	3727	37274	0.043
1989	L4 2.2L	Turbo	71R6Y *	3727	37274	0.043
<b>Rancho</b>						
1979	V8 5.0L		61R4Y	3720	37204	0.035
1979	V8 5.8L		61R4Y	3720	37204	0.035
1978	V8 5.0L	California	61R4Y	3720	37204	0.035
1978	V8 5.0L	Non-California	61R4Y	3720	37204	0.035
1978	V8 5.8L		61R4Y	3720	37204	0.035
1978	V8 6.6L		61R4Y	3720	37204	0.035
1977	V8 5.0L		61R4Y	3720	37204	0.035
1977	V8 5.8L		61R4Y	3720	37204	0.035
1977	V8 6.6L		61R4Y	3720	37204	0.035
1977	V8 7.5L		61R4Y	3720	37204	0.035
1976-75	V8 5.8L		61R4Y	3720	37204	0.035
1976-75	V8 6.6L		61R4Y	3720	37204	0.035
1976-75	V8 7.5L		61R4Y	3720	37204	0.035
1974	V8 5.0L		16R5Y	3744	37444	0.035
1974	V8 5.8L	Cleveland Engine	61R4Y	3720	37204	0.035
1974	V8 5.8L	Windsor Engine	16R5Y	3744	37444	0.035
1974	V8 6.6L		61R4Y	3720	37204	0.035
1974	V8 7.5L		61R4Y	3720	37204	0.035
1973	L6 4.1L		16R5Y	3744	37444	0.035
1973	V8 5.0L		16R5Y	3744	37444	0.035
1973	V8 5.8L	Cleveland Engine	61R4Y	3720	37204	0.035
1973	V8 5.8L	Windsor Engine	16R5Y	3744	37444	0.035
1973	V8 6.6L		61R4Y	3720	37204	0.035
1973	V8 7.0L		61R4Y	3720	37204	0.035
1972	L6 4.1L		16R5Y	3744	37444	0.035
1972	V8 5.0L		16R5Y	3744	37444	0.035
1972	V8 5.8L	Cleveland Engine	61R4Y	3720	37204	0.035
1972	V8 5.8L	Windsor Engine	16R5Y	3744	37444	0.035
1972	V8 6.6L		61R4Y	3720	37204	0.035
1972	V8 7.0L	14mm Heads	61R4Y	3720	37204	0.035
1972	V8 7.0L	18mm Heads	16R5Y	3744	37444	0.035
1971	L6 4.1L		16R5Y	3744	37444	0.035
1971	V8 5.0L		16R5Y	3744	37444	0.035
1971	V8 5.8L	Vin H, Cleveland Engine	61R4Y	3720	37204	0.035
1971	V8 5.8L	Vin H, Windsor Engine	16R5Y	3744	37444	0.035
1971	V8 5.8L	Vin M	61R4Y	3720	37204	0.035
1971	V8 7.0L	14mm Heads	61R4Y	3720	37204	0.035
1971	V8 7.0L	18mm Heads	16R5Y	3744	37444	0.035
1970	L6 4.1L		16R5Y	3744	37444	0.035

Make Model Year	Engine Size	Notes:	Plug Type	MSD PN Single	MSD PN 4-Pack	Pre-Gap Setting**
1970	V8 5.0L		16R5Y	3744	37444	0.035
1970	V8 5.8L	Vin H, Cleveland Engine	61R4Y	3720	37204	0.035
1970	V8 5.8L	Vin H, Windsor Engine	16R5Y	3744	37444	0.035
1970	V8 5.8L	Vin M	61R4Y	3720	37204	0.035
1970	V8 7.0L	Vin C, 14mm Heads	61R4Y	3720	37204	0.035
1970	V8 7.0L	Vin C, 18mm Heads	16R5Y	3744	37444	0.035
1970	V8 7.0L	Vin J, 14mm Heads	61R4Y	3720	37204	0.035
1970	V8 7.0L	Vin J, 18mm Heads	16R5Y	3744	37444	0.035
1969	L6 4.1L		16R5Y	3744	37444	0.035
1969	V8 5.0L		16R5Y	3744	37444	0.035
1969	V8 5.8L		16R5Y	3744	37444	0.035
1969	V8 6.4L		16R5Y	3744	37444	0.035
1969	V8 7.0L	Vin Q	16R5Y	3744	37444	0.035
1968	L6 3.3L		16R5Y	3744	37444	0.035
1968	V8 5.0L		16R5Y	3744	37444	0.035
1968	V8 6.4L		16R5Y	3744	37444	0.035
1968	V8 7.0L		16R5Y	3744	37444	0.035
1967	L6 3.3L		16R5Y	3744	37444	0.035
1967	V8 4.7L		16R5Y	3744	37444	0.035
1967	V8 6.4L		16R5Y	3744	37444	0.035
1966	L6 3.3L		16R5Y	3744	37444	0.035
1966	V8 4.7L		N/A	N/A	N/A	
1965	L6 2.8L		16R5Y	3744	37444	0.035
1965	L6 3.3L		16R5Y	3744	37444	0.035
1965	V8 4.7L		N/A	N/A	N/A	
1964	L6 2.4L		16R5Y	3744	37444	0.035
1964	L6 2.8L		16R5Y	3744	37444	0.035
1964	L6 3.3L		16R5Y	3744	37444	0.035
1964	V8 4.3L		N/A	N/A	N/A	
1963	L6 2.4L		16R5Y	3744	37444	0.035
1963	V8 4.3L		N/A	N/A	N/A	
1962	L6 2.4L		16R5Y	3744	37444	0.035
1961	L6 2.4L		16R5Y	3744	37444	0.035
1961	L6 2.8L		16R5Y	3744	37444	0.035
1960	L6 2.4L		16R5Y	3744	37444	0.035
1959	L6 3.6L		16R5Y	3744	37444	0.035
1959	V8 4.8L		N/A	N/A	N/A	
1959	V8 5.8L		N/A	N/A	N/A	
1958	L6 3.7L		16R5Y	3744	37444	0.035
1958	V8 4.8L		N/A	N/A	N/A	
1958	V8 5.8L		N/A	N/A	N/A	
1957	L6 3.7L		16R5Y	3744	37444	0.035
1957	V8 4.4L		N/A	N/A	N/A	
1957	V8 4.8L		N/A	N/A	N/A	
1957	V8 5.8L		N/A	N/A	N/A	
<b>Ranch Wagon</b>						
1974	V8 5.8L	Cleveland Engine	61R4Y	3720	37204	0.035
1974	V8 5.8L	Windsor Engine	16R5Y	3744	37444	0.035
1974	V8 6.6L		61R4Y	3720	37204	0.035
1974	V8 7.5L		61R4Y	3720	37204	0.035
1973	V8 5.8L	Cleveland Engine	61R4Y	3720	37204	0.035
1973	V8 5.8L	Windsor Engine	16R5Y	3744	37444	0.035
1973	V8 6.6L		61R4Y	3720	37204	0.035
1973	V8 7.0L		61R4Y	3720	37204	0.035
1973	V8 7.5L		61R4Y	3720	37204	0.035
1972	V8 5.0L		16R5Y	3744	37444	0.035
1972	V8 5.8L	Cleveland Engine	61R4Y	3720	37204	0.035
1972	V8 5.8L	Windsor Engine	16R5Y	3744	37444	0.035
1972	V8 6.6L		16R5Y	3744	37444	0.035
1972	V8 7.0L	14mm Heads	61R4Y	3720	37204	0.035
1972	V8 7.0L	18mm Heads	16R5Y	3744	37444	0.035
1971	V8 5.0L		16R5Y	3744	37444	0.035
1971	V8 5.8L	Cleveland Engine	61R4Y	3720	37204	0.035
1971	V8 5.8L	Windsor Engine	16R5Y	3744	37444	0.035
1971	V8 6.4L		16R5Y	3744	37444	0.035
1971	V6 7.0L	14mm Heads	61R4Y	3720	37204	0.035
1971	V8 7.0L	18mm Heads	16R5Y	3744	37444	0.035
1970	V8 5.0L		16R5Y	3744	37444	0.035
1970	V8 5.8L	Cleveland Engine	61R4Y	3720	37204	0.035
1970	V8 5.8L	Windsor Engine	16R5Y	3744	37444	0.035

CPB's = Coil Plug Boots  
 \*\* Pre-gapped for optimal performance.

\* Short Style 6 Series - PN 3741 (single), PN 37414 (4pk) - Pre-gapped 0.035  
 \* Short Style 7 Series - PN 3742 (single), PN 37424 (4pk) - Pre-gapped 0.035



**Ford Ranch Wagon continued**

Make Model Year	Engine Size	Notes:	Plug Type	MSD PN Single	MSD PN 4-Pack	Pre-Gap Setting**
1970	V8 6.4L		16IR5Y	3744	37444	0.035
1970	V8 7.0L	14mm Heads	6IR4Y	3720	37204	0.035
1970	V8 7.0L	18mm Heads	16IR5Y	3744	37444	0.035
1969	L6 3.9L		16IR5Y	3744	37444	0.035
1969	V8 5.0L		16IR5Y	3744	37444	0.035
1969	V8 5.8L		16IR5Y	3744	37444	0.035
1969	V8 6.4L		16IR5Y	3744	37444	0.035
1969	V8 7.0L		16IR5Y	3744	37444	0.035
1968	L6 3.9L		16IR5Y	3744	37444	0.035
1968	V8 4.7L		16IR5Y	3744	37444	0.035
1968	V8 5.0L		16IR5Y	3744	37444	0.035
1968	V8 6.4L		16IR5Y	3744	37444	0.035
1968	V8 7.0L	Vin P	16IR5Y	3744	37444	0.035
1967	L6 3.3L		16IR5Y	3744	37444	0.035
1967	L6 3.9L		16IR5Y	3744	37444	0.035
1967	V8 4.7L		16IR5Y	3744	37444	0.035
1967	V8 6.4L		16IR5Y	3744	37444	0.035
1966	L6 2.8L		16IR5Y	3744	37444	0.035
1966	L6 3.3L		16IR5Y	3744	37444	0.035
1966	L6 3.9L		16IR5Y	3744	37444	0.035
1966	V8 4.7L		16IR5Y	3744	37444	0.035
1966	V8 5.8L		16IR5Y	3744	37444	0.035
1966	V8 6.4L		16IR5Y	3744	37444	0.035
1966	V8 7.0L		16IR5Y	3744	37444	0.035
1965	L6 3.9L		16IR5Y	3744	37444	0.035
1965	V8 4.7L		16IR5Y	3744	37444	0.035
1965	V8 5.8L		16IR5Y	3744	37444	0.035
1965	V8 6.4L		16IR5Y	3744	37444	0.035
1964	L6 2.8L		16IR5Y	3744	37444	0.035
1964	L6 3.6L		16IR5Y	3744	37444	0.035
1964	V8 4.3L		16IR5Y	3744	37444	0.035
1964	V8 4.7L		16IR5Y	3744	37444	0.035
1964	V8 5.8L		16IR5Y	3744	37444	0.035
1964	V8 6.4L		16IR5Y	3744	37444	0.035
1964	V8 7.0L		16IR5Y	3744	37444	0.035
1963	L6 3.3L		16IR5Y	3744	37444	0.035
1963	L6 3.6L		16IR5Y	3744	37444	0.035
1963	V8 4.3L		16IR5Y	3744	37444	0.035
1963	V8 4.7L		16IR5Y	3744	37444	0.035
1963	V8 6.4L		16IR5Y	3744	37444	0.035
1962	L6 2.4L		16IR5Y	3744	37444	0.035
1962	L6 3.6L		16IR5Y	3744	37444	0.035
1962	V8 4.8L		16IR5Y	3744	37444	0.035
1962	V8 6.4L		16IR5Y	3744	37444	0.035
1961-60	L6 3.6L		16IR5Y	3744	37444	0.035
1961-60	V8 4.8L		16IR5Y	3744	37444	0.035
1961-60	V8 5.8L		16IR5Y	3744	37444	0.035
1959-56	L6 3.6L		16IR5Y	3744	37444	0.035
1959-58	V8 4.8L		16IR5Y	3744	37444	0.035
1959-58	V8 5.4L		16IR5Y	3744	37444	0.035
1959-58	V8 5.8L		16IR5Y	3744	37444	0.035
1957-55	L6 3.6L		16IR5Y	3744	37444	0.035
1957-55	V8 4.4L		16IR5Y	3744	37444	0.035
1954	L6 3.6L		15IR6	3740	37404	0.032
1954	V8 3.9L		15IR6	3740	37404	0.032
1954	V8 4.2L		15IR6	3740	37404	0.032
1953	L6 3.5L		15IR6	3740	37404	0.032
1953	V8 3.7L		15IR6	3740	37404	0.032
1953	V8 3.9L		15IR6	3740	37404	0.032
1952	L6 3.5L		15IR6	3740	37404	0.032
1952	V8 3.9L		15IR6	3740	37404	0.032
1951-50	L6 3.7L		15IR6	3740	37404	0.032
1951-50	V8 3.9L		15IR6	3740	37404	0.032
<b>Ranger</b>						
2011	L4 2.3L		1IR5Y	3713	37134	0.043
2011	V6 4.0L		2IR5L	3715	37154	0.043
2010-09	L4 2.3L		1IR5Y	3713	37134	0.043
2010-09	V6 4.0L		2IR5L	3715	37154	0.043
2008	L4 2.3L		1IR5Y	3713	37134	0.043
2008	V6 3.0L		1IR5Y	3713	37134	0.043
2008	V6 4.0L		2IR5L	3715	37154	0.043

Make Model Year	Engine Size	Notes:	Plug Type	MSD PN Single	MSD PN 4-Pack	Pre-Gap Setting**
2007	L4 2.3L		1IR5Y	3713	37134	0.043
2007	V6 3.0L		1IR5Y	3713	37134	0.043
2007	V6 4.0L		2IR5L	3715	37154	0.043
2006	L4 2.3L		1IR5Y	3713	37134	0.043
2006	V6 3.0L		1IR5Y	3713	37134	0.043
2006	V6 4.0L		2IR5L	3715	37154	0.043
2005	L4 2.3L		1IR5Y	3713	37134	0.043
2005	V6 3.0L		1IR5Y	3713	37134	0.043
2005	V6 4.0L		1IR5Y	3713	37134	0.043
2004	L4 2.3L		1IR5Y	3713	37134	0.043
2004	V6 3.0L		1IR5Y	3713	37134	0.043
2004	V6 4.0L		1IR5Y	3713	37134	0.043
2003-02	L4 2.3L		1IR5Y	3713	37134	0.043
2003-02	V6 3.0L		1IR5Y	3713	37134	0.043
2003-02	V6 4.0L	Vin E	1IR5Y	3713	37134	0.043
2001	L4 2.3L		1IR5Y	3713	37134	0.043
2001	L4 2.5L		1IR5Y	3713	37134	0.043
2001	V6 3.0L		1IR5Y	3713	37134	0.043
2001	V6 4.0L	Vin E, SOHC, CAN	1IR5Y	3713	37134	0.043
2001	V6 4.0L	Vin E, SOHC, USA	1IR5Y	3713	37134	0.043
2000-99	L4 2.5L		1IR5Y	3713	37134	0.043
2000-99	V6 3.0L	FLEX	1IR5Y	3713	37134	0.043
2000-99	V6 3.0L	GAS	1IR5Y	3713	37134	0.043
2000-99	V6 4.0L		1IR6Y	3714	37144	0.043
1998	L4 2.5L		1IR5Y	3713	37134	0.043
1998	V6 3.0L		1IR5Y	3713	37134	0.043
1998	V6 4.0L		1IR6Y	3714	37144	0.043
1997	L4 2.3L		1IR5Y	3713	37134	0.043
1997	V6 3.0L		1IR5Y	3713	37134	0.043
1997	V6 4.0L		1IR6Y	3714	37144	0.043
1996	L4 2.3L		1IR5Y	3713	37134	0.043
1996	V6 3.0L		1IR5Y	3713	37134	0.043
1996	V6 4.0L		1IR5Y	3713	37134	0.043
1995	L4 2.3L		1IR5Y	3713	37134	0.043
1995	V6 3.0L	Distributorless Ign.	1IR5Y	3713	37134	0.043
1995	V6 3.0L	w/Distributor	1IR5Y	3713	37134	0.043
1995	V6 4.0L		1IR5Y	3713	37134	0.043
1994	L4 2.3L		1IR5Y	3713	37134	0.043
1994	V6 3.0L		1IR5Y	3713	37134	0.043
1994	V6 4.0L		1IR5Y	3713	37134	0.043
1993	L4 2.3L		1IR5Y	3713	37134	0.043
1993	V6 3.0L		1IR5Y	3713	37134	0.043
1993	V6 4.0L		1IR5Y	3713	37134	0.043
1992	L4 2.3L		1IR5Y	3713	37134	0.043
1992	V6 2.9L		1IR5Y	3713	37134	0.043
1992	V6 3.0L		1IR5Y	3713	37134	0.043
1992	V6 4.0L		1IR5Y	3713	37134	0.043
1991	L4 2.3L		1IR5Y	3713	37134	0.043
1991	V6 2.9L		1IR5Y	3713	37134	0.043
1991	V6 3.0L		1IR5Y	3713	37134	0.043
1991	V6 4.0L		1IR5Y	3713	37134	0.043
1990	L4 2.3L		1IR5Y	3713	37134	0.043
1990	V6 2.9L		1IR5Y	3713	37134	0.043
1990	V6 4.0L		1IR5Y	3713	37134	0.043
1989	L4 2.3L		1IR5Y	3713	37134	0.043
1989	V6 2.9L		1IR5Y	3713	37134	0.043
1988	L4 2.0L		1IR5Y	3713	37134	0.043
1988	L4 2.3L		2IR5L	3715	37154	0.043
1988	V6 2.9L		1IR5Y	3713	37134	0.043
1987-86	L4 2.0L		1IR5Y	3713	37134	0.043
1987-86	L4 2.3L	GAS	2IR5L	3715	37154	0.043
1987-86	V6 2.9L		1IR5Y	3713	37134	0.043
1985	L4 2.0L		1IR5Y	3713	37134	0.043
1985	L4 2.3L	GAS	2IR5L	3715	37154	0.043
1985	V6 2.8L		1IR5Y	3713	37134	0.043
1984-83	L4 2.0L		1IR5Y	3713	37134	0.043
1984-83	L4 2.3L		2IR5L	3715	37154	0.043
1984-83	V6 2.8L		1IR5Y	3713	37134	0.043

\* Short Style 6 Series - PN 3741 (single), PN 37414 (4pk) - Pre-gapped 0.035  
 \* Short Style 7 Series - PN 3742 (single), PN 37424 (4pk) - Pre-gapped 0.035

CPB's = Coil Plug Boots  
 \*\* Pre-gapped for optimal performance.



Make Model Year	Engine Size	Notes:	Plug Type	MSD PN Single	MSD PN 4-Pack	Pre-Gap Setting**
<b>Skyliner</b>						
1959-58	V8 4.8L		16IR5Y	3744	37444	0.035
1959-58	V8 5.4L		16IR5Y	3744	37444	0.035
1959-58	V8 5.8L		16IR5Y	3744	37444	0.035
1957	V8 4.4L		16IR5Y	3744	37444	0.035
1956-55	L6 3.6L		16IR5Y	3744	37444	0.035
1956-55	V8 4.4L		16IR5Y	3744	37444	0.035
1954	L6 3.6L		15IR6	3740	37404	0.032
1954	V8 3.9L		15IR6	3740	37404	0.032
1954	V8 4.2L		15IR6	3740	37404	0.032
<b>Sprint</b>						
1964	V8 4.3L		16IR5Y	3744	37444	0.035
1963	L6 2.8L		16IR5Y	3744	37444	0.035
1963	V8 3.6L		16IR5Y	3744	37444	0.035
1963	V8 4.3L		16IR5Y	3744	37444	0.035
<b>Starliner</b>						
1961-60	L6 3.6L		16IR5Y	3744	37444	0.035
1961-60	V8 4.8L		16IR5Y	3744	37444	0.035
1961-60	V8 5.8L		16IR5Y	3744	37444	0.035
<b>Sunliner</b>						
1964	L6 3.6L		16IR5Y	3744	37444	0.035
1964	V8 4.3L		16IR5Y	3744	37444	0.035
1964	V8 5.8L		16IR5Y	3744	37444	0.035
1964	V8 6.4L		16IR5Y	3744	37444	0.035
1963	L6 3.3L		16IR5Y	3744	37444	0.035
1963	L6 3.6L		16IR5Y	3744	37444	0.035
1963	V8 4.7L		16IR5Y	3744	37444	0.035
1963	V8 6.4L		16IR5Y	3744	37444	0.035
1962	V8 4.8L		16IR5Y	3744	37444	0.035
1962	V8 6.4L		16IR5Y	3744	37444	0.035
1961-60	L6 3.6L		16IR5Y	3744	37444	0.035
1961-60	V8 4.8L		16IR5Y	3744	37444	0.035
1961-60	V8 5.8L		16IR5Y	3744	37444	0.035
1959-58	L6 3.6L		16IR5Y	3744	37444	0.035
1959-58	V8 4.8L		16IR5Y	3744	37444	0.035
1959-58	V8 5.4L		16IR5Y	3744	37444	0.035
1959-58	V8 5.8L		16IR5Y	3744	37444	0.035
1957-55	L6 3.6L		16IR5Y	3744	37444	0.035
1957-55	V8 4.4L		16IR5Y	3744	37444	0.035
1954	L6 3.6L		15IR6	3740	37404	0.032
1954	V8 3.9L		15IR6	3740	37404	0.032
1954	V8 4.2L		15IR6	3740	37404	0.032
1953	V8 3.7L		15IR6	3740	37404	0.032
1953	V8 3.9L		15IR6	3740	37404	0.032
1952	V8 3.9L		15IR6	3740	37404	0.032
<b>Taurus</b>						
2013	V6 3.5L	w	5IR5Y	3719	37194	0.040
2013	L4 2.0L	ECOBOOST	5IR6Y	3743	37434	0.032
2013	V6 3.5L	T	5IR6Y	3743	37434	0.032
2012	V6 3.5L		5IR6Y	3743	37434	0.032
2012	V6 3.5L	T	5IR6Y	3743	37434	0.032
2011-10	V6 3.5L	Naturally Aspirated	5IR5Y	3719	37194	0.040
2009-08	V6 3.5L		5IR5Y	3719	37194	0.040
2007	V6 3.0L		1IR5Y	3713	37134	0.043
2006	V6 3.0L	FLEX	1IR6Y	3714	37144	0.043
2006	V6 3.0L	GAS	1IR5Y	3713	37134	0.043
2005	V6 3.0L	Vin 2, DOHC, w/Dir Ign; 6 CPBs Req	1IR6Y	3714	37144	0.043
2005	V6 3.0L	Vin S, DOHC, w/Dir Ign; 6 CPBs Req	1IR5Y	3713	37134	0.043
2005	V6 3.0L	Vin U, DOHC, w/Dir Ign; 6 CPBs Req	1IR5Y	3713	37134	0.043
2004	V6 3.0L	Vin 2, DOHC, w/Dir Ign; 6 CPBs Req	1IR6Y	3714	37144	0.043
2004	V6 3.0L	Vin S, DOHC, w/Dir Ign; 6 CPBs Req	1IR5Y	3713	37134	0.043
2004	V6 3.0L	Vin U, DOHC, w/Dir Ign; 6 CPBs Req	1IR5Y	3713	37134	0.043
2003	V6 3.0L	Vin 2, DOHC, w/Dir Ign; 6 CPBs Req	1IR6Y	3714	37144	0.043
2003	V6 3.0L	Vin S, DOHC, w/Dir Ign; 6 CPBs Req	1IR5Y	3713	37134	0.043
2003	V6 3.0L	Vin U, DOHC, w/Dir Ign; 6 CPBs Req	1IR5Y	3713	37134	0.043
1999	V6 3.0L	Vin 2	1IR6Y	3714	37144	0.043
1999	V6 3.0L	Vin S	1IR5Y	3713	37134	0.043
1999	V6 3.0L	Vin U	1IR5Y	3713	37134	0.043
1999	V8 3.4L		1IR5Y	3713	37134	0.043
1998	V6 3.0L	Vin 1	1IR5Y	3713	37134	0.043

CPB's = Coil Plug Boots  
 \*\* Pre-gapped for optimal performance.

Make Model Year	Engine Size	Notes:	Plug Type	MSD PN Single	MSD PN 4-Pack	Pre-Gap Setting**
1998	V6 3.0L	Vin 2	1IR5Y	3713	37134	0.043
1998	V6 3.0L	Vin S	1IR5Y	3713	37134	0.043
1998	V6 3.0L	Vin U	1IR5Y	3713	37134	0.043
1998	V8 3.4L		1IR5Y	3713	37134	0.043
1997-96	V6 3.0L	Vin 1	1IR5Y	3713	37134	0.043
1997-96	V6 3.0L	Vin 2	1IR5Y	3713	37134	0.043
1997-96	V6 3.0L	Vin S	1IR5Y	3713	37134	0.043
1997-96	V6 3.0L	Vin U	1IR5Y	3713	37134	0.043
1997-96	V8 3.4L		1IR5Y	3713	37134	0.043
1995-94	V6 3.0L	Vin 1 OHV, GAS	1IR5Y	3713	37134	0.043
1995-94	V6 3.0L	Vin U, OHV, GAS	1IR5Y	3713	37134	0.043
1995-94	V6 3.0L	Vin Y, OHV, GAS	7IR5Y	3725	37254	0.040
1995-94	V6 3.2L		7IR5Y	3725	37254	0.040
1995-94	V6 3.8L		1IR5Y	3713	37134	0.043
1993	V6 3.0L	Vin 1 OHV, GAS	1IR5Y	3713	37134	0.043
1993	V6 3.0L	Vin U, OHV, GAS	1IR5Y	3713	37134	0.043
1993	V6 3.0L	Vin Y, OHV, GAS	7IR5Y	3725	37254	0.040
1993	V6 3.2L		7IR5Y	3725	37254	0.040
1993	V6 3.8L		2IR5L	3715	37154	0.043
1992	V6 3.0L	Vin U, OHV	1IR5Y	3713	37134	0.043
1992	V6 3.0L	Vin Y, OHV	7IR5Y	3725	37254	0.040
1992	V6 3.8L		2IR5L	3715	37154	0.043
1991	L4 2.5L		1IR5Y	3713	37134	0.043
1991	V6 3.0L	Vin U, OHV	1IR5Y	3713	37134	0.043
1991	V6 3.0L	Vin Y, OHV	7IR5Y	3725	37254	0.040
1991	V6 3.8L		2IR5L	3715	37154	0.043
1990	L4 2.5L		1IR5Y	3713	37134	0.043
1990	V6 3.0L	Vin U	1IR5Y	3713	37134	0.043
1990	V6 3.0L	Vin Y	7IR5Y	3725	37254	0.040
1990	V6 3.8L		2IR5L	3715	37154	0.043
1989	L4 2.5L		1IR5Y	3713	37134	0.043
1989	V6 3.0L	Vin U	1IR5Y	3713	37134	0.043
1989	V6 3.0L	Vin Y	7IR5Y	3725	37254	0.040
1989	V6 3.8L		2IR5L	3715	37154	0.043
1988	L4 2.5L		1IR5Y	3713	37134	0.043
1988	V6 3.0L		1IR5Y	3713	37134	0.043
1988	V6 3.8L		2IR5L	3715	37154	0.043
1987-86	L4 2.5L		1IR5Y	3713	37134	0.043
1987-86	V6 3.0L		1IR5Y	3713	37134	0.043
<b>Taurus X</b>						
2009-08	V6 3.5L		5IR5Y	3719	37194	0.040
<b>Tempo</b>						
1994	L4 2.3L		1IR5Y	3713	37134	0.043
1994	V6 3.0L		1IR5Y	3713	37134	0.043
1993	L4 2.3L		1IR5Y	3713	37134	0.043
1993	V6 3.0L		1IR5Y	3713	37134	0.043
1992	L4 2.3L		1IR5Y	3713	37134	0.043
1992	V6 3.0L		1IR5Y	3713	37134	0.043
1991-90	L4 2.3L		1IR5Y	3713	37134	0.043
1989	L4 2.3L	Vin S	1IR5Y	3713	37134	0.043
1989	L4 2.3L	Vin X	1IR5Y	3713	37134	0.043
1988-87	L4 2.3L		1IR5Y	3713	37134	0.043
1986-84	L4 2.0L		N/A	N/A	N/A	
1986-84	L4 2.3L		1IR5Y	3713	37134	0.043
<b>Thunderbird</b>						
2005-04	V8 3.9L	8 CPBs Req	2IR5L	3715	37154	0.043
2003	V8 3.9L	8 CPBs Req	2IR5L	3715	37154	0.043
2002	V8 3.9L	8 CPBs Req	2IR5L	3715	37154	0.043
1997-96	V6 3.8L		1IR5Y	3713	37134	0.043
1997-96	V8 4.6L		1IR5Y	3713	37134	0.043
1995-94	V6 3.8L		1IR5Y	3713	37134	0.043
1995-94	V8 4.6L		1IR5Y	3713	37134	0.043
1993	V6 3.8L		1IR5Y	3713	37134	0.043
1993	V8 5.0L		6IR4Y	3720	37204	0.035
1992	V6 3.8L		2IR5L	3715	37154	0.043
1992	V8 5.0L		6IR4Y	3720	37204	0.035
1991	V6 3.8L		2IR5L	3715	37154	0.043
1991	V8 5.0L		6IR4Y	3720	37204	0.035
1990-89	V6 3.8L		2IR5L	3715	37154	0.043
1988-86	L4 2.3L		1IR5Y	3713	37134	0.043

\* Short Style 6 Series - PN 3741 (single), PN 37414 (4pk) - Pre-gapped 0.035  
 \* Short Style 7 Series - PN 3742 (single), PN 37424 (4pk) - Pre-gapped 0.035





**Ford Thunderbird continued**

Make Model Year	Engine Size	Notes:	Plug Type	MSD PN Single	MSD PN 4-Pack	Pre-Gap Setting**
1988-86	V6 3.8L		2IR5L	3715	37154	0.043
1988-86	V8 5.0L		2IR5L	3715	37154	0.043
1985	L4 2.3L		1IR5Y	3713	37134	0.043
1985	V6 3.8L		2IR5L	3715	37154	0.043
1985	V8 5.0L		6IR4Y	3720	37204	0.035
1984	L4 2.3L		1IR5Y	3713	37134	0.043
1984	V6 3.8L		2IR5L	3715	37154	0.043
1984	V8 5.0L		6IR4Y	3720	37204	0.035
1983	L4 2.3L		1IR5Y	3713	37134	0.043
1983	V6 3.8L		1IR5Y	3713	37134	0.043
1983	V8 5.0L		6IR5Y	3722	37224	0.035
1982	L6 3.3L		16IR5Y	3744	37444	0.035
1982	V6 3.8L		7IR4Y	3724	37244	0.040
1982	V8 4.2L		6IR4Y	3720	37204	0.035
1981-80	L6 3.3L		16IR5Y	3744	37444	0.035
1981-80	V8 4.2L		6IR4Y	3720	37204	0.035
1981-80	V8 5.0L		6IR4Y	3720	37204	0.035
1979	V8 5.0L	From 2/79	6IR4Y	3720	37204	0.035
1979	V8 5.0L	To 2/79	6IR4Y	3720	37204	0.035
1979	V8 5.8L		6IR4Y	3720	37204	0.035
1978-77	V8 5.0L	California	6IR4Y	3720	37204	0.035
1978-77	V8 5.0L	Non-California	6IR4Y	3720	37204	0.035
1978-77	V8 5.8L		6IR4Y	3720	37204	0.035
1978-77	V8 6.6L		6IR4Y	3720	37204	0.035
1976-75	V8 7.5L		6IR4Y	3720	37204	0.035
1974	V8 7.5L		6IR4Y	3720	37204	0.035
1973	V8 7.0L		16IR5Y	3744	37444	0.035
1973	V8 7.5L		6IR4Y	3720	37204	0.035
1972	V8 6.6L		6IR4Y	3720	37204	0.035
1972	V8 7.0L	14mm Heads	6IR4Y	3720	37204	0.035
1972	V8 7.0L	18mm Heads	16IR5Y	3744	37444	0.035
1972	V8 7.5L		16IR5Y	3744	37444	0.035
1971-70	V8 7.0L		16IR5Y	3744	37444	0.035
1969	V8 7.0L	Vin N	16IR5Y	3744	37444	0.035
1968-64	V8 6.4L		16IR5Y	3744	37444	0.035
1968-64	V8 7.0L		16IR5Y	3744	37444	0.035
1963	V8 6.4L		16IR5Y	3744	37444	0.035
1963	V8 6.7L		16IR5Y	3744	37444	0.035
1963	V8 7.0L		16IR5Y	3744	37444	0.035
1962	V8 6.4L		16IR5Y	3744	37444	0.035
1962	V8 6.7L		16IR5Y	3744	37444	0.035
1961	V8 6.4L		16IR5Y	3744	37444	0.035
1960	V8 5.8L		16IR5Y	3744	37444	0.035
1960	V8 7.0L		16IR5Y	3744	37444	0.035
1959	V8 5.4L		16IR5Y	3744	37444	0.035
1959	V8 5.8L		16IR5Y	3744	37444	0.035
1959	V8 7.0L		16IR5Y	3744	37444	0.035
1958	V8 4.8L		16IR5Y	3744	37444	0.035
1958	V8 5.4L		16IR5Y	3744	37444	0.035
1958	V8 5.8L		16IR5Y	3744	37444	0.035
1957-56	V8 4.8L		16IR5Y	3744	37444	0.035
1957-56	V8 5.1L		16IR5Y	3744	37444	0.035
1955	V8 4.8L		16IR5Y	3744	37444	0.035
<b>Torino</b>						
1976-75	V8 5.8L		6IR4Y	3720	37204	0.035
1976-75	V8 6.6L		6IR4Y	3720	37204	0.035
1976-75	V8 7.5L		6IR4Y	3720	37204	0.035
1974	L6 4.1L		16IR5Y	3744	37444	0.035
1974	V8 5.0L		16IR5Y	3744	37444	0.035
1974	V8 5.8L	Cleveland Engine	6IR4Y	3720	37204	0.035
1974	V8 5.8L	Windsor Engine	16IR5Y	3744	37444	0.035
1974	V8 6.6L		6IR4Y	3720	37204	0.035
1974	V8 7.5L		6IR4Y	3720	37204	0.035
1973	L6 4.1L		16IR5Y	3744	37444	0.035
1973	V8 5.0L		16IR5Y	3744	37444	0.035
1973	V8 5.8L	Cleveland Engine	6IR4Y	3720	37204	0.035
1973	V8 5.8L	Windsor Engine	16IR5Y	3744	37444	0.035
1973	V8 6.6L		6IR4Y	3720	37204	0.035
1973	V8 7.0L		6IR4Y	3720	37204	0.035
1973	V8 7.5L		6IR4Y	3720	37204	0.035
1972	L6 4.1L		16IR5Y	3744	37444	0.035

Make Model Year	Engine Size	Notes:	Plug Type	MSD PN Single	MSD PN 4-Pack	Pre-Gap Setting**
1972	V8 5.0L		16IR5Y	3744	37444	0.035
1972	V8 5.8L	Cleveland Engine	6IR4Y	3720	37204	0.035
1972	V8 5.8L	Windsor Engine	16IR5Y	3744	37444	0.035
1972	V8 6.6L		6IR4Y	3720	37204	0.035
1972	V8 7.0L		16IR5Y	3744	37444	0.035
1971	L6 4.1L		16IR5Y	3744	37444	0.035
1971	V8 5.0L		16IR5Y	3744	37444	0.035
1971	V8 5.8L	Vin H, Cleveland Engine	6IR4Y	3720	37204	0.035
1971	V8 5.8L	Vin H, Windsor Engine	16IR5Y	3744	37444	0.035
1971	V8 5.8L	Vin M, Cleveland Engine	6IR4Y	3720	37204	0.035
1971	V8 5.8L	Vin M, Windsor Engine	16IR5Y	3744	37444	0.035
1971	V8 7.0L	14mm Heads	6IR4Y	3720	37204	0.035
1971	V8 7.0L	18mm Heads	16IR5Y	3744	37444	0.035
1970	L6 4.1L		16IR5Y	3744	37444	0.035
1970	V8 5.0L		16IR5Y	3744	37444	0.035
1970	V8 5.8L	Vin H, Cleveland Engine	6IR4Y	3720	37204	0.035
1970	V8 5.8L	Vin H, Windsor Engine	16IR5Y	3744	37444	0.035
1970	V8 5.5L	Vin M	6IR4Y	3720	37204	0.035
1970	V8 7.0L	Vin C, 14mm Heads	6IR4Y	3720	37204	0.035
1970	V8 7.0L	Vin J, 14mm Heads	6IR4Y	3720	37204	0.035
1970	V8 7.0L	Vin J, 18mm Heads	16IR5Y	3744	37444	0.035
1970	V8 7.0L	Vin N, 18mm Heads	16IR5Y	3744	37444	0.035
1969	L6 4.1L		16IR5Y	3744	37444	0.035
1969	V8 5.0L		16IR5Y	3744	37444	0.035
1969	V8 5.8L		16IR5Y	3744	37444	0.035
1969	V8 6.4L		16IR5Y	3744	37444	0.035
1969	V8 7.0L		16IR5Y	3744	37444	0.035
1968	L6 3.3L		16IR5Y	3744	37444	0.035
1968	V8 4.7L		16IR5Y	3744	37444	0.035
1968	V8 5.0L		16IR5Y	3744	37444	0.035
1968	V8 6.4L		16IR5Y	3744	37444	0.035
1968	V8 7.0L	Vin R	16IR5Y	3744	37444	0.035
<b>Transit Connect</b>						
2011	L4 2.0L		1IR5Y	3713	37134	0.043
2010	L4 2.0L	4 CPBs Req	1IR5Y	3713	37134	0.043
<b>Victoria</b>						
1964	L6 3.6L		16IR5Y	3744	37444	0.035
1964	V8 4.3L		16IR5Y	3744	37444	0.035
1964	V8 5.8L		16IR5Y	3744	37444	0.035
1964	V8 6.4L		16IR5Y	3744	37444	0.035
1963	L6 3.3L		16IR5Y	3744	37444	0.035
1963	L6 3.6L		16IR5Y	3744	37444	0.035
1963	V8 4.3L		16IR5Y	3744	37444	0.035
1963	V8 4.7L		16IR5Y	3744	37444	0.035
1962	L6 3.6L		16IR5Y	3744	37444	0.035
1962	V8 4.8L		16IR5Y	3744	37444	0.035
1962	V8 6.4L		16IR5Y	3744	37444	0.035
1961-60	L6 3.6L		16IR5Y	3744	37444	0.035
1961-60	V8 4.8L		16IR5Y	3744	37444	0.035
1961-60	V8 5.8L		16IR5Y	3744	37444	0.035
1959-58	L6 3.6L		16IR5Y	3744	37444	0.035
1959-58	V8 4.8L		16IR5Y	3744	37444	0.035
1959-58	V8 5.4L		16IR5Y	3744	37444	0.035
1959-58	V8 5.8L		16IR5Y	3744	37444	0.035
1957-55	L6 3.6L		16IR5Y	3744	37444	0.035
1957-55	V8 4.4L		16IR5Y	3744	37444	0.035
1954	L6 3.6L		15IR6	3740	37404	0.032
1954	V8 3.9L		15IR6	3740	37404	0.032
1954	V8 4.2L		15IR6	3740	37404	0.032
1953	V8 3.7L		15IR6	3740	37404	0.032
1953	V8 3.9L		15IR6	3740	37404	0.032
1952-51	V8 3.9L		15IR6	3740	37404	0.032
<b>Windstar</b>						
2003-01	V6 3.8L		1IR5Y	3713	37134	0.043
2000-97	V6 3.0L		1IR5Y	3713	37134	0.043
2000-97	V6 3.8L		1IR5Y	3713	37134	0.043
1996	V6 3.0L		1IR5Y	3713	37134	0.043
1996	V6 3.8L		1IR5Y	3713	37134	0.043
1995	V6 3.0L		1IR5Y	3713	37134	0.043
1995	V6 3.8L		1IR5Y	3713	37134	0.043

\* Short Style 6 Series - PN 3741 (single), PN 37414 (4pk) - Pre-gapped 0.035  
 \* Short Style 7 Series - PN 3742 (single), PN 37424 (4pk) - Pre-gapped 0.035

CPB's = Coil Plug Boots  
 \*\* Pre-gapped for optimal performance.





Make Model Year	Engine Size	Notes:	Plug Type	MSD PN Single	MSD PN 4-Pack	Pre-Gap Setting**
<b>Freightliner</b>						
<b>Sprinter 2500</b>						
2008-07	V6 3.5L	6 CPBs Req	N/A	N/A	N/A	
2006-02	L5 2.7L		N/A	N/A	N/A	
<b>Sprinter 3500</b>						
2008-07	V6 3.5L	6 CPBs Req	N/A	N/A	N/A	
2006-02	L5 2.7L		N/A	N/A	N/A	
<b>Geo</b>						
<b>Metro</b>						
1997-95	L3 1.0L		N/A	N/A	N/A	
1997-95	L4 1.3L		N/A	N/A	N/A	
1994-92	L3 1.0L		N/A	N/A	N/A	
1991-89	L3 1.0L		N/A	N/A	N/A	
<b>Prizm</b>						
1997-94	L4 1.6L		7IR5Y	3725	37254	0.040
1997-94	L4 1.8L		7IR5Y	3725	37254	0.040
1993	L4 1.6L		7IR5Y	3725	37254	0.040
1993	L4 1.8L		7IR5Y	3725	37254	0.040
1992-90	L4 1.6L	Eng 4AFE	7IR5Y	3725	37254	0.040
1989	L4 1.6L		7IR5Y	3725	37254	0.040
<b>Spectrum</b>						
1989	L4 1.5L	Naturally Aspirated	11IR5Y	3733	37334	0.035
1989	L4 1.5L	Turbo	11IR5Y	3733	37334	0.035
<b>Storm</b>						
1993-92	L4 1.6L		N/A	N/A	N/A	
1993-92	L4 1.8L		7IR5Y	3725	37254	0.040
1991-90	L4 1.6L	Vin 5, DOHC	7IR6Y *	3727	37274	0.043
1991-90	L4 1.6L	Vin 5, SOHC	7IR6Y *	3727	37274	0.043
1991-90	L4 1.6L	Vin 6, DOHC	N/A	N/A	N/A	
1991-90	L4 1.6L	Vin 6, SOHC	N/A	N/A	N/A	
<b>Tracker</b>						
1997	L4 1.6L		7IR6Y *	3727	37274	0.043
1996	L4 1.6L		7IR6Y *	3727	37274	0.043
1995	L4 1.6L	Vin 6, Waives	7IR6Y *	3727	37274	0.043
1995	L4 1.6L	Vin 6, 8V Eng.	7IR6Y *	3727	37274	0.043
1995	L4 1.6L	Vin 6, 16Valves	7IR6Y *	3727	37274	0.043
1995	L4 1.6L	Vin 6, 16V Eng.	7IR6Y *	3727	37274	0.043
1995	L4 1.6L	Vin U, Valves	11IR5Y	3733	37334	0.035
1995	L4 1.6L	Vin U, 8V Eng.	11IR5Y	3733	37334	0.035
1995	L4 1.6L	Vin U, 16Valves	11IR5Y	3733	37334	0.035
1995	L4 1.6L	Vin U, 16V Eng.	11IR5Y	3733	37334	0.035
1994	L4 1.6L	Vin 6, Valves	7IR6Y *	3727	37274	0.043
1994	L4 1.6L	Vin 6, 16Valves	7IR6Y *	3727	37274	0.043
1994	L4 1.6L	Vin U, 8Valves	11IR5Y	3733	37334	0.035
1994	L4 1.6L	Vin U, 16Valves	11IR5Y	3733	37334	0.035
1993-92	L4 1.6L		11IR5Y	3733	37334	0.035
1991-89	L4 1.6L		11IR5Y	3733	37334	0.035
<b>GMC</b>						
<b>1000 Series</b>						
1965-64	L6 3.8L		11IR4Y	3731	37314	0.035
<b>1500 Series</b>						
1965-64	L6 3.8L		11IR4Y	3731	37314	0.035
<b>Acadia</b>						
2011	V6 3.6L	SL	5IR6Y	3743	37434	0.032
2011	V6 3.6L	SLE	5IR6Y	3743	37434	0.032
2011	V6 3.6L	SLT	5IR6Y	3743	37434	0.032
2010-07	V6 3.6L		5IR6Y	3743	37434	0.032
<b>C15</b>						
1978	L6 4.1L	Heavy Duty	6IR5	3721	37214	0.035
1978	L6 4.1L	Light Duty	6IR4Y	3720	37204	0.035
1978	L6 4.8L		6IR5	3721	37214	0.035
1978	V8 5.0L	Heavy Duty	6IR5	3721	37214	0.035
1978	V8 5.0L	Light Duty	6IR4Y	3720	37204	0.035

CPB's = Coil Plug Boots  
 \*\* Pre-gapped for optimal performance.

Make Model Year	Engine Size	Notes:	Plug Type	MSD PN Single	MSD PN 4-Pack	Pre-Gap Setting**
1978	V8 5.7L	Vin L, California	6IR5Y	3722	37224	0.035
1978	V8 5.7L	Vin L, Heavy Duty	6IR5	3721	37214	0.035
1978	V8 5.7L	Vin L, Light Duty	6IR4Y	3720	37204	0.035
1978	V8 6.6L	Heavy Duty	6IR5	3721	37214	0.035
1978	V8 6.6L	Light Duty	6IR4Y	3720	37204	0.035
1978	V8 7.4L	Heavy Duty	6IR5	3721	37214	0.035
1978	V8 7.4L	Light Duty	6IR4Y	3720	37204	0.035
1977	L6 4.1L	Heavy Duty	6IR5	3721	37214	0.035
1977	L6 4.1L	Light Duty	6IR4Y	3720	37204	0.035
1977	L6 4.8L		6IR5	3721	37214	0.035
1977	V8 5.0L	Heavy Duty	6IR5	3721	37214	0.035
1977	V8 5.0L	Light Duty	6IR4Y	3720	37204	0.035
1977	V8 5.7L	California	6IR5Y	3722	37224	0.035
1977	V8 5.7L	Heavy Duty	6IR5	3721	37214	0.035
1977	V8 5.7L	Light Duty	6IR4Y	3720	37204	0.035
1977	V8 7.4L	Heavy Duty	6IR5	3721	37214	0.035
1977	V8 7.4L	Light Duty	6IR4Y	3720	37204	0.035
1976	L6 4.1L	Heavy Duty	6IR5	3721	37214	0.035
1976	L6 4.1L	Light Duty	6IR4Y	3720	37204	0.035
1976	L6 4.8L		6IR5	3721	37214	0.035
1976	V8 5.0L	Heavy Duty	6IR5	3721	37214	0.035
1976	V8 5.0L	Light Duty	6IR4Y	3720	37204	0.035
1976	V8 5.7L		6IR4Y	3720	37204	0.035
1976	V8 6.6L	Heavy Duty	6IR5	3721	37214	0.035
1976	V8 6.6L	Light Duty	6IR4Y	3720	37204	0.035
1976	V8 7.4L	Heavy Duty	6IR5	3721	37214	0.035
1976	V8 7.4L	Light Duty	6IR4Y	3720	37204	0.035
1975	L6 4.1L		6IR5Y	3722	37224	0.035
1975	L6 4.8L	HEI	6IR5Y	3722	37224	0.035
1975	L6 4.8L	W/O HEI	6IR5	3721	37214	0.035
1975	V8 5.7L		6IR5	3721	37214	0.035
1975	V8 7.4L	HEI	6IR5Y	3722	37224	0.035
1975	V8 7.4L	W/O HEI	6IR5	3721	37214	0.035
<b>C15/C1500 Pickup</b>						
1974	L6 4.1L		6IR5	3721	37214	0.035
1974	L6 4.8L		6IR5	3721	37214	0.035
1974	V8 5.7L	GAS	6IR5	3721	37214	0.035
1974	V8 5.7L	LPG	6IR5	3721	37214	0.035
1974	V8 7.4L		6IR5	3721	37214	0.035
1973	L6 4.1L		6IR5	3721	37214	0.035
1973	L6 4.8L		6IR5	3721	37214	0.035
1973	V8 5.0L		6IR5	3721	37214	0.035
1973	V8 5.7L		6IR5	3721	37214	0.035
1973	V8 7.4L		6IR5	3721	37214	0.035
1972	L6 4.1L		6IR5	3721	37214	0.035
1972	V8 5.0L		6IR5	3721	37214	0.035
1972	V8 5.7L		6IR5	3721	37214	0.035
1972	V8 6.6L		6IR5	3721	37214	0.035
1971	L6 4.1L		6IR4Y	3720	37204	0.035
1971	L6 4.8L		6IR5	3721	37214	0.035
1971	V8 5.0L		6IR4Y	3720	37204	0.035
1971	V8 5.7L		6IR5	3721	37214	0.035
1971	V8 6.6L		6IR4Y	3720	37204	0.035
1970	L6 4.1L		6IR5	3721	37214	0.035
1970	L6 4.8L		6IR5	3721	37214	0.035
1970	V8 5.0L		15IR6	3740	37404	0.032
1970	V8 5.7L		15IR6	3740	37404	0.032
1970	V8 6.6L		6IR5	3721	37214	0.035
1969	L6 4.1L		11IR4Y	3731	37314	0.035
1969	L6 4.8L		11IR6	3734	37344	0.032
1969	V8 5.0L		15IR6	3740	37404	0.032
1969	V8 5.7L		15IR6	3740	37404	0.032
1969	V8 6.5L		11IR5Y	3733	37334	0.035
1968	L6 4.1L		11IR4Y	3731	37314	0.035
1968	L6 4.8L		11IR6	3734	37344	0.032
1968	V8 5.0L		15IR5Y	3739	37394	0.035
1968	V8 5.4L		15IR6	3740	37404	0.032
1968	V8 6.5L		11IR5Y	3733	37334	0.035
1967	L6 4.1L		11IR4Y	3731	37314	0.035
1967	L6 4.8L		11IR6	3734	37344	0.032
1967	V8 4.6L		15IR6	3740	37404	0.032

\* Short Style 6 Series - PN 3741 (single), PN 37414 (4pk) - Pre-gapped 0.035  
 \* Short Style 7 Series - PN 3742 (single), PN 37424 (4pk) - Pre-gapped 0.035



**GMC C15/C1500 Pickup continued**

Make Model Year	Engine Size	Notes:	Plug Type	MSD PN Single	MSD PN 4-Pack	Pre-Gap Setting**
1967	V8 5.3L		151R6	3740	37404	0.032
1966	L6 3.8L		111R4Y	3731	37314	0.035
1966	L6 4.1L		111R4Y	3731	37314	0.035
1966	L6 4.8L		111R6	3734	37344	0.032
<b>C15/C1500 Suburban</b>						
1974	L6 4.1L		61R5	3721	37214	0.035
1974	L6 4.8L		61R5	3721	37214	0.035
1974	V8 5.7L	GAS	61R5	3721	37214	0.035
1974	V8 5.7L	LPG	61R5	3721	37214	0.035
1974	V8 7.4L		61R5	3721	37214	0.035
1973	L6 4.1L		61R5	3721	37214	0.035
1973	L6 4.8L		61R5	3721	37214	0.035
1973	V8 5.0L		61R5	3721	37214	0.035
1973	V8 5.7L		61R5	3721	37214	0.035
1973	V8 7.4L		61R5	3721	37214	0.035
1972	L6 4.1L		61R5	3721	37214	0.035
1972	V8 5.0L		61R5	3721	37214	0.035
1972	V8 5.7L		61R5	3721	37214	0.035
1972	V8 6.6L		61R5	3721	37214	0.035
1971	L6 4.1L		61R4Y	3720	37204	0.035
1971	L6 4.8L		61R5	3721	37214	0.035
1971	V8 5.0L		61R4Y	3720	37204	0.035
1971	V8 5.7L	215 HP	61R5	3721	37214	0.035
1971	V8 5.7L	250 HP	61R4Y	3720	37204	0.035
1971	V8 6.6L		61R4Y	3720	37204	0.035
1970	L6 4.1L		61R5	3721	37214	0.035
1970	L6 4.8L		61R5	3721	37214	0.035
1970	V8 5.0L		151R6	3740	37404	0.032
1970	V8 5.7L		151R6	3740	37404	0.032
1970	V8 6.6L		61R5	3721	37214	0.035
1969	L6 4.1L		111R4Y	3731	37314	0.035
1969	L6 4.8L		111R6	3734	37344	0.032
1969	V8 5.0L		151R6	3740	37404	0.032
1969	V8 5.7L		151R6	3740	37404	0.032
1969	V8 6.5L		111R6	3734	37344	0.032
1968	L6 4.1L		111R4Y	3731	37314	0.035
1968	L6 4.8L		111R6	3734	37344	0.032
1968	V8 5.0L		151R5Y	3739	37394	0.035
1968	V8 5.4L		151R6	3740	37404	0.032
1968	V8 6.5L		111R5Y	3733	37334	0.035
<b>C15 Suburban</b>						
1978	L6 4.1L	Heavy Duty	61R5	3721	37214	0.035
1978	L6 4.1L	Light Duty	61R4Y	3720	37204	0.035
1978	V8 5.0L	Heavy Duty	61R5	3721	37214	0.035
1978	V8 5.0L	Light Duty	61R4Y	3720	37204	0.035
1978	V8 5.7L	Vin L, California	61R5Y	3722	37224	0.035
1978	V8 5.7L	Vin L, Heavy Duty	61R5	3721	37214	0.035
1978	V8 5.7L	Vin L, Light Duty	61R4Y	3720	37204	0.035
1978	V8 7.4L	Heavy Duty	61R5	3721	37214	0.035
1978	V8 7.4L	Light Duty	61R4Y	3720	37204	0.035
1977	L6 4.1L	Heavy Duty	61R5	3721	37214	0.035
1977	L6 4.1L	Light Duty	61R4Y	3720	37204	0.035
1977	V8 5.0L	Heavy Duty	61R5	3721	37214	0.035
1977	V8 5.0L	Light Duty	61R4Y	3720	37204	0.035
1977	V8 5.7L	California	61R5Y	3722	37224	0.035
1977	V8 5.7L	Heavy Duty	61R5	3721	37214	0.035
1977	V8 5.7L	Light Duty	61R4Y	3720	37204	0.035
1977	V8 7.4L	Heavy Duty	61R5	3721	37214	0.035
1977	V8 7.4L	Light Duty	61R4Y	3720	37204	0.035
1976	L6 4.1L	Heavy Duty	61R5	3721	37214	0.035
1976	L6 4.1L	Light Duty	61R4Y	3720	37204	0.035
1976	V8 5.0L	Heavy Duty	61R5	3721	37214	0.035
1976	V8 5.0L	Light Duty	61R4Y	3720	37204	0.035
1976	V8 5.7L	Light Duty	61R4Y	3720	37204	0.035
1976	V8 5.7L	Heavy Duty	61R5	3721	37214	0.035
1976	V8 5.7L	Light Duty	61R4Y	3720	37204	0.035
1976	V8 7.4L	Heavy Duty	61R5	3721	37214	0.035
1976	V8 7.4L	Light Duty	61R4Y	3720	37204	0.035
1975	L6 4.1L		61R5Y	3722	37224	0.035
1975	V8 5.7L		61R5	3721	37214	0.035
1975	V8 7.4L	HEI	61R5Y	3722	37224	0.035
1975	V8 7.4L	W/O HEI	61R5	3721	37214	0.035

Make Model Year	Engine Size	Notes:	Plug Type	MSD PN Single	MSD PN 4-Pack	Pre-Gap Setting**
<b>C25</b>						
1978	L6 4.1L	Heavy Duty	61R5	3721	37214	0.035
1978	L6 4.1L	Light Duty	61R4Y	3720	37204	0.035
1978	L6 4.8L		61R5	3721	37214	0.035
1978	V8 5.0L	Heavy Duty	61R5	3721	37214	0.035
1978	V8 5.0L	Light Duty	61R4Y	3720	37204	0.035
1978	V8 5.7L	California	61R5Y	3722	37224	0.035
1978	V8 5.7L	Heavy Duty	61R5	3721	37214	0.035
1978	V8 5.7L	Light Duty	61R4Y	3720	37204	0.035
1978	V8 6.6L	Heavy Duty	61R5	3721	37214	0.035
1978	V8 6.6L	Light Duty	61R4Y	3720	37204	0.035
1978	V8 7.4L	Heavy Duty	61R5	3721	37214	0.035
1978	V8 7.4L	Light Duty	61R4Y	3720	37204	0.035
1977	L6 4.1L	Heavy Duty	61R5	3721	37214	0.035
1977	L6 4.1L	Light Duty	61R4Y	3720	37204	0.035
1977	L6 4.8L		61R5	3721	37214	0.035
1977	V8 5.0L	Heavy Duty	61R5	3721	37214	0.035
1977	V8 5.0L	Light Duty	61R4Y	3720	37204	0.035
1977	V8 5.7L	California	61R5Y	3722	37224	0.035
1977	V8 5.7L	Heavy Duty	61R5	3721	37214	0.035
1977	V8 5.7L	Light Duty	61R4Y	3720	37204	0.035
1977	V8 6.6L	California	61R5Y	3722	37224	0.035
1977	V8 6.6L	Heavy Duty	61R5	3721	37214	0.035
1977	V8 6.6L	Light Duty	61R4Y	3720	37204	0.035
1977	V8 7.4L	Heavy Duty	61R5	3721	37214	0.035
1977	V8 7.4L	Light Duty	61R4Y	3720	37204	0.035
1976	L6 4.8L		61R5	3721	37214	0.035
1976	V8 5.7L		61R4Y	3720	37204	0.035
1976	V8 6.6L	Heavy Duty	61R5	3721	37214	0.035
1976	V8 6.6L	Light Duty	61R4Y	3720	37204	0.035
1976	V8 7.4L	Heavy Duty	61R5	3721	37214	0.035
1976	V8 7.4L	Light Duty	61R4Y	3720	37204	0.035
1975	L6 4.1L		61R5Y	3722	37224	0.035
1975	L6 4.8L	HEI	61R5Y	3722	37224	0.035
1975	L6 4.8L	W/O HEI	61R5	3721	37214	0.035
1975	V8 5.7L		61R5	3721	37214	0.035
1975	V8 7.4L	HEI	61R5Y	3722	37224	0.035
1975	V8 7.4L	W/O HEI	61R5	3721	37214	0.035
<b>C25/C2500 Pickup</b>						
1974	L6 4.1L		61R5	3721	37214	0.035
1974	L6 4.8L		61R5	3721	37214	0.035
1974	V8 5.7L	GAS	61R5	3721	37214	0.035
1974	V8 5.7L	LPG	61R5	3721	37214	0.035
1974	V8 7.4L		61R5	3721	37214	0.035
1973	L6 4.1L		61R5	3721	37214	0.035
1973	L6 4.8L		61R5	3721	37214	0.035
1973	V8 5.0L		61R5	3721	37214	0.035
1973	V8 5.7L		61R5	3721	37214	0.035
1973	V8 7.4L		61R5	3721	37214	0.035
1972	L6 4.1L		61R5	3721	37214	0.035
1972	L6 4.8L		61R5	3721	37214	0.035
1972	V8 5.0L		61R5	3721	37214	0.035
1972	V8 5.7L		61R5	3721	37214	0.035
1972	V8 6.6L		61R5	3721	37214	0.035
1971	L6 4.1L		61R4Y	3720	37204	0.035
1971	L6 4.8L		61R5	3721	37214	0.035
1971	V8 5.0L		61R4Y	3720	37204	0.035
1971	V8 5.7L		61R5	3721	37214	0.035
1971	V8 6.6L		61R4Y	3720	37204	0.035
1970	L6 4.1L		61R5	3721	37214	0.035
1970	L6 4.8L		61R5	3721	37214	0.035
1970	V8 5.0L		151R6	3740	37404	0.032
1970	V8 5.7L		151R6	3740	37404	0.032
1970	V8 6.6L		61R5	3721	37214	0.035
1969	L6 4.1L		111R4Y	3731	37314	0.035
1969	L6 4.8L		111R6	3734	37344	0.032
1969	V8 5.0L		151R6	3740	37404	0.032
1969	V8 5.7L		151R6	3740	37404	0.032
1969	V8 6.5L		111R5Y	3733	37334	0.035
1968	L6 4.1L		111R4Y	3731	37314	0.035
1968	L6 4.8L		111R6	3734	37344	0.032

\* Short Style 6 Series - PN 3741 (single), PN 37414 (4pk) - Pre-gapped 0.035  
 \* Short Style 7 Series - PN 3742 (single), PN 37424 (4pk) - Pre-gapped 0.035

CPB's = Coil Plug Boots  
 \*\* Pre-gapped for optimal performance.



Make Model Year	Engine Size	Notes:	Plug Type	MSD PN Single	MSD PN 4-Pack	Pre-Gap Setting**
1968	V8 5.0L		15IR5Y	3739	37394	0.035
1968	V8 5.4L		15IR6	3740	37404	0.032
1968	V8 6.5L		11IR5Y	3733	37334	0.035
1967	L6 4.1L		11IR4Y	3731	37314	0.035
1967	L6 4.8L		11IR6	3734	37344	0.032
1967	V8 4.6L		15IR6	3740	37404	0.032
1967	V8 5.3L		15IR6	3740	37404	0.032
1966	L6 3.8L		11IR4Y	3731	37314	0.035
1966	L6 4.1L		11IR4Y	3731	37314	0.035
1966	L6 4.8L		11IR6	3734	37344	0.032

**C25/C2500 Suburban**

1974	L6 4.1L		6IR5	3721	37214	0.035
1974	L6 4.8L		6IR5	3721	37214	0.035
1974	V8 5.7L		6IR5	3721	37214	0.035
1974	V8 7.4L		6IR5	3721	37214	0.035
1973	L6 4.1L		6IR5	3721	37214	0.035
1973	L6 4.8L		6IR5	3721	37214	0.035
1973	V8 5.0L		6IR5	3721	37214	0.035
1972	L6 4.1L		6IR5	3721	37214	0.035
1972	L6 4.8L		6IR5	3721	37214	0.035
1972	V8 5.0L		6IR5	3721	37214	0.035
1972	V8 5.7L		6IR5	3721	37214	0.035
1972	V8 6.6L		6IR5	3721	37214	0.035
1971	L6 4.1L		6IR4Y	3720	37204	0.035
1971	L6 4.8L		6IR5	3721	37214	0.035
1971	V8 5.0L		6IR4Y	3720	37204	0.035
1971	V8 5.7L	Vin B	6IR5	3721	37214	0.035
1971	V8 5.7L	Vin E, 215 HP	6IR5	3721	37214	0.035
1971	V8 5.7L	Vin E, 250 HP	6IR4Y	3720	37204	0.035
1971	V8 6.6L		6IR4Y	3720	37204	0.035
1970	L6 4.1L		6IR5	3721	37214	0.035
1970	L6 4.8L		6IR5	3721	37214	0.035
1970	V8 5.0L		15IR6	3740	37404	0.032
1970	V8 5.7L		15IR6	3740	37404	0.032
1970	V8 6.6L		6IR5	3721	37214	0.035
1969	L6 4.1L		11IR4Y	3731	37314	0.035
1969	L6 4.8L		11IR6	3734	37344	0.032
1969	V8 5.0L		15IR6	3740	37404	0.032
1969	V8 5.7L		15IR6	3740	37404	0.032
1969	V8 6.5L		11IR6	3734	37344	0.032
1968	L6 4.1L		11IR4Y	3731	37314	0.035
1968	L6 4.8L		11IR6	3734	37344	0.032
1968	V8 5.0L		15IR5Y	3739	37394	0.035
1968	V8 5.4L		15IR6	3740	37404	0.032
1968	V8 6.5L		11IR5Y	3733	37334	0.035

**C25 Suburban**

1978	L6 4.8L		6IR5	3721	37214	0.035
1978	V8 5.0L	Heavy Duty	6IR5	3721	37214	0.035
1978	V8 5.0L	Light Duty	6IR4Y	3720	37204	0.035
1978	V8 5.7L	California	6IR5Y	3722	37224	0.035
1978	V8 5.7L	Heavy Duty	6IR5	3721	37214	0.035
1978	V8 5.7L	Light Duty	6IR4Y	3720	37204	0.035
1978	V8 6.6L	Heavy Duty	6IR5	3721	37214	0.035
1978	V8 6.6L	Light Duty	6IR4Y	3720	37204	0.035
1978	V8 7.4L	Heavy Duty	6IR5	3721	37214	0.035
1978	V8 7.4L	Light Duty	6IR4Y	3720	37204	0.035
1977	L6 4.8L		6IR5	3721	37214	0.035
1977	V8 5.0L	Heavy Duty	6IR5	3721	37214	0.035
1977	V8 5.0L	Light Duty	6IR4Y	3720	37204	0.035
1977	V8 5.7L	California	6IR5Y	3722	37224	0.035
1977	V8 5.7L	Heavy Duty	6IR5	3721	37214	0.035
1977	V8 5.7L	Light Duty	6IR4Y	3720	37204	0.035
1977	V8 7.4L	Heavy Duty	6IR5	3721	37214	0.035
1977	V8 7.4L	Light Duty	6IR4Y	3720	37204	0.035
1976	L6 4.8L		6IR5	3721	37214	0.035
1976	V8 5.7L		6IR4Y	3720	37204	0.035
1976	V8 7.4L	Heavy Duty	6IR5	3721	37214	0.035
1976	V8 7.4L	Light Duty	6IR4Y	3720	37204	0.035
1975	L6 4.8L	HEI	6IR5Y	3722	37224	0.035

Make Model Year	Engine Size	Notes:	Plug Type	MSD PN Single	MSD PN 4-Pack	Pre-Gap Setting**
1975	L6 4.8L	W/O HEI	6IR5	3721	37214	0.035
1975	V8 5.7L		6IR5	3721	37214	0.035
1975	V8 7.4L	HEI	6IR5Y	3722	37224	0.035
1975	V8 7.4L	W/O HEI	6IR5	3721	37214	0.035

**C35**

1978	L6 4.1L	Heavy Duty	6IR5	3721	37214	0.035
1978	L6 4.1L	Light Duty	6IR4Y	3720	37204	0.035
1978	L6 4.8L		6IR5	3721	37214	0.035
1978	V8 5.0L	Heavy Duty	6IR5	3721	37214	0.035
1978	V8 5.0L	Light Duty	6IR4Y	3720	37204	0.035
1978	V8 5.7L	California	6IR5Y	3722	37224	0.035
1978	V8 5.7L	Heavy Duty	6IR5	3721	37214	0.035
1978	V8 5.7L	Light Duty	6IR4Y	3720	37204	0.035
1978	V8 6.6L	Heavy Duty	6IR5	3721	37214	0.035
1978	V8 6.6L	Light Duty	6IR4Y	3720	37204	0.035
1978	V8 7.4L	Heavy Duty	6IR5	3721	37214	0.035
1978	V8 7.4L	Light Duty	6IR4Y	3720	37204	0.035
1977	L6 4.8L		6IR5	3721	37214	0.035
1977	V8 5.7L	California	6IR5Y	3722	37224	0.035
1977	V8 5.7L	Heavy Duty	6IR5	3721	37214	0.035
1977	V8 5.7L	Light Duty	6IR4Y	3720	37204	0.035
1977	V8 6.6L	California	6IR5Y	3722	37224	0.035
1977	V8 6.6L	Heavy Duty	6IR5	3721	37214	0.035
1977	V8 6.6L	Light Duty	6IR4Y	3720	37204	0.035
1977	V8 7.4L	Heavy Duty	6IR5	3721	37214	0.035
1977	V8 7.4L	Light Duty	6IR4Y	3720	37204	0.035
1976	L6 4.8L		6IR5	3721	37214	0.035
1976	V8 5.7L		6IR4Y	3720	37204	0.035
1976	V8 6.6L	Heavy Duty	6IR5	3721	37214	0.035
1976	V8 6.6L	Light Duty	6IR4Y	3720	37204	0.035
1976	V8 7.4L	Heavy Duty	6IR5	3721	37214	0.035
1976	V8 7.4L	Light Duty	6IR4Y	3720	37204	0.035
1975	L6 4.1L		6IR5Y	3722	37224	0.035
1975	L6 4.8L	HEI	6IR5Y	3722	37224	0.035
1975	L6 4.8L	W/O HEI	6IR5	3721	37214	0.035
1975	V8 5.7L		6IR5	3721	37214	0.035
1975	V8 7.4L	HEI	6IR5Y	3722	37224	0.035
1975	V8 7.4L	W/O HEI	6IR5	3721	37214	0.035

**C35/C3500 Pickup**

1974	L6 4.1L		6IR5	3721	37214	0.035
1974	L6 4.8L		6IR5	3721	37214	0.035
1974	V8 5.7L	GAS	6IR5	3721	37214	0.035
1974	V8 5.7L	LPG	6IR5	3721	37214	0.035
1974	V8 7.4L		6IR5	3721	37214	0.035
1973	L6 4.1L		6IR5	3721	37214	0.035
1973	L6 4.8L		6IR5	3721	37214	0.035
1973	V8 5.0L		6IR5	3721	37214	0.035
1973	V8 5.7L		6IR5	3721	37214	0.035
1972	L6 4.1L		6IR5	3721	37214	0.035
1972	L6 4.8L		6IR5	3721	37214	0.035
1972	V8 5.0L		6IR5	3721	37214	0.035
1972	V8 5.7L		6IR5	3721	37214	0.035
1972	V8 6.6L		6IR5	3721	37214	0.035
1971	L6 4.1L		6IR4Y	3720	37204	0.035
1971	L6 4.5L		6IR5	3721	37214	0.035
1971	V8 5.0L		6IR4Y	3720	37204	0.035
1971	V8 5.7L		6IR5	3721	37214	0.035
1971	V8 6.6L		6IR4Y	3720	37204	0.035
1970	L6 4.1L		6IR5	3721	37214	0.035
1970	L6 4.8L		6IR5	3721	37214	0.035
1970	V8 5.0L		15IR6	3740	37404	0.032
1970	V8 5.7L		15IR6	3740	37404	0.032
1970	V8 6.6L		6IR5	3721	37214	0.035
1969	L6 4.1L		11IR4Y	3731	37314	0.035
1969	L6 4.8L		11IR6	3734	37344	0.032
1969	V8 5.0L		15IR6	3740	37404	0.032
1969	V8 5.7L		15IR6	3740	37404	0.032
1969	V8 6.5L		11IR5Y	3733	37334	0.035
1968	L6 4.1L		11IR4Y	3731	37314	0.035
1968	L6 4.8L		11IR6	3734	37344	0.032

CPB's = Coil Plug Boots

\*\* Pre-gapped for optimal performance.

\* Short Style 6 Series - PN 3741 (single), PN 37414 (4pk) - Pre-gapped 0.035

\* Short Style 7 Series - PN 3742 (single), PN 37424 (4pk) - Pre-gapped 0.035





**GMC C35/C3500 Pickup continued**

Make Model Year	Engine Size	Notes:	Plug Type	MSD PN Single	MSD PN 4-Pack	Pre-Gap Setting**
1968	V8 5.0L		15IR5Y	3739	37394	0.035
1968	V8 5.4L		15IR6	3740	37404	0.032
1968	V8 6.5L		11IR5Y	3733	37334	0.035
1967	L6 4.1L		11IR4Y	3731	37314	0.035
1967	L6 4.8L		11IR6	3734	37344	0.032
1967	V8 4.6L		15IR6	3740	37404	0.032
1967	V8 5.3L		15IR6	3740	37404	0.032
<b>C1500</b>						
1999	V8 5.0L		11R4Y	3711	37114	0.047
1999	V8 5.7L		11R4Y	3711	37114	0.047
1998-96	V6 4.3L		11R5L	3712	37124	0.047
1998-96	V8 5.0L		11R4Y	3711	37114	0.047
1998-96	V8 5.7L		11R4Y	3711	37114	0.047
1995-94	V6 4.3L		6IR5Y	3722	37224	0.035
1995-94	V8 5.0L		6IR5Y	3722	37224	0.035
1995-94	V8 5.7L		6IR5Y	3722	37224	0.035
1993	V6 4.3L		6IR5Y	3722	37224	0.035
1993	V8 5.0L		6IR5Y	3722	37224	0.035
1993	V8 5.7L		6IR5Y	3722	37224	0.035
1992-88	V6 4.3L		6IR5Y	3722	37224	0.035
1992-88	V8 5.0L		6IR5Y	3722	37224	0.035
1992-88	V8 5.7L		6IR5Y	3722	37224	0.035
1986-85	V6 4.3L		6IR5Y	3722	37224	0.035
1986-85	V8 5.0L Vin F		6IR5Y	3722	37224	0.035
1986-85	V8 5.0L Vin H		6IR4Y	3720	37204	0.035
1986-85	V8 5.7L Vin L		6IR5Y	3722	37224	0.035
1986-85	V8 5.7L Vin M		6IR5	3721	37214	0.035
1984	L6 4.1L		6IR4Y	3720	37204	0.035
1984	V8 5.0L Vin F		6IR5Y	3722	37224	0.035
1984	V8 5.0L Vin H		6IR4Y	3720	37204	0.035
1984	V8 5.7L		6IR4Y	3720	37204	0.035
1983-82	L6 4.1L		6IR4Y	3720	37204	0.035
1983-82	V8 5.0L		6IR4Y	3720	37204	0.035
1983-82	V8 5.7L Heavy Duty		6IR5	3721	37214	0.035
1983-82	V8 5.7L Light Duty		6IR4Y	3720	37204	0.035
1981	L6 4.1L		6IR4Y	3720	37204	0.035
1981	V8 5.0L		6IR4Y	3720	37204	0.035
1981	V8 5.7L Vin L, Heavy Duty		6IR5	3721	37214	0.035
1981	V8 5.7L Vin L, Light Duty		6IR4Y	3720	37204	0.035
1981	V8 5.7L Vin M, Heavy Duty		6IR5	3721	37214	0.035
1981	V8 5.7L Vin M, Light Duty		6IR4Y	3720	37204	0.035
1980	L6 4.1L		6IR4Y	3720	37204	0.035
1980	L6 4.8L		6IR5	3721	37214	0.035
1980	V8 5.0L		6IR4Y	3720	37204	0.035
1980	V8 5.7L Vin L, Heavy Duty		6IR5	3721	37214	0.035
1980	V8 5.7L Vin L, Light Duty		6IR4Y	3720	37204	0.035
1980	V8 5.7L Vin M, Heavy Duty		6IR5	3721	37214	0.035
1980	V8 5.7L Vin P		6IR4Y	3720	37204	0.035
1980	V8 6.6L Heavy Duty		6IR5	3721	37214	0.035
1980	V8 6.6L Light Duty		6IR4Y	3720	37204	0.035
1980	V8 7.4L Heavy Duty		6IR5	3721	37214	0.035
1980	V8 7.4L Light Duty		6IR4Y	3720	37204	0.035
1979	L6 4.1L		6IR4Y	3720	37204	0.035
1979	L6 4.8L		6IR5	3721	37214	0.035
1979	V8 5.0L Heavy Duty		6IR5	3721	37214	0.035
1979	V8 5.0L Light Duty		6IR4Y	3720	37204	0.035
1979	V8 5.7L Vin L, Heavy Duty		6IR5	3721	37214	0.035
1979	V8 5.7L Vin L, Light Duty		6IR4Y	3720	37204	0.035
1979	V8 5.7L Vin M		6IR4Y	3720	37204	0.035
1979	V8 6.6L Heavy Duty		6IR5	3721	37214	0.035
1979	V8 6.6L Light Duty		6IR4Y	3720	37204	0.035
1979	V8 7.4L Heavy Duty		6IR5	3721	37214	0.035
1979	V8 7.4L Light Duty		6IR4Y	3720	37204	0.035
<b>C1500 Suburban</b>						
1999-96	V8 5.7L		11R4Y	3711	37114	0.047
1995-92	V8 5.7L		6IR5Y	3722	37224	0.035
1986-85	V8 5.0L Vin F		6IR5Y	3722	37224	0.035
1986-85	V8 5.0L Vin H		6IR4Y	3720	37204	0.035
1986-85	V8 5.7L Vin L		6IR5Y	3722	37224	0.035
1986-85	V8 5.7L Vin M		6IR5	3721	37214	0.035
1984	V8 5.0L Vin F		6IR5Y	3722	37224	0.035

Make Model Year	Engine Size	Notes:	Plug Type	MSD PN Single	MSD PN 4-Pack	Pre-Gap Setting**
1984	V8 5.0L Vin H		6IR4Y	3720	37204	0.035
1984	V8 5.7L		6IR4Y	3720	37204	0.035
1983-82	V8 5.0L		6IR4Y	3720	37204	0.035
1983-82	V8 5.7L Heavy Duty		6IR5	3721	37214	0.035
1983-82	V8 5.7L Light Duty		6IR4Y	3720	37204	0.035
1981	V8 5.0L		6IR4Y	3720	37204	0.035
1981	V8 5.7L Vin L, Heavy Duty		6IR5	3721	37214	0.035
1981	V8 5.7L Vin L, Light Duty		6IR4Y	3720	37204	0.035
1981	V8 5.7L Vin M, Heavy Duty		6IR5	3721	37214	0.035
1980	V8 5.0L		6IR4Y	3720	37204	0.035
1980	V8 5.7L Vin L, Heavy Duty		6IR5	3721	37214	0.035
1980	V8 5.7L Vin L, Light Duty		6IR4Y	3720	37204	0.035
1980	V8 5.7L Vin M, Heavy Duty		6IR5	3721	37214	0.035
1980	V8 7.4L Heavy Duty		6IR5	3721	37214	0.035
1980	V8 7.4L Light Duty		6IR4Y	3720	37204	0.035
1979	L6 4.1L		6IR4Y	3720	37204	0.035
1979	V8 5.0L Heavy Duty		6IR5	3721	37214	0.035
1979	V8 5.0L Light Duty		6IR4Y	3720	37204	0.035
1979	V8 5.7L Vin L, Heavy Duty		6IR5	3721	37214	0.035
1979	V8 5.7L Vin L, Light Duty		6IR4Y	3720	37204	0.035
1979	V8 7.4L Heavy Duty		6IR5	3721	37214	0.035
1979	V8 7.4L Light Duty		6IR4Y	3720	37204	0.035
<b>C2500</b>						
2000-99	V8 5.7L		11R4Y	3711	37114	0.047
2000-99	V8 7.4L		11R4Y	3711	37114	0.047
1998-96	V8 5.0L		11R4Y	3711	37114	0.047
1998-96	V8 5.7L		11R4Y	3711	37114	0.047
1998-96	V8 7.4L		11R4Y	3711	37114	0.047
1995-94	V6 4.3L		6IR5Y	3722	37224	0.035
1995-94	V8 5.0L		6IR5Y	3722	37224	0.035
1995-94	V8 7.4L		6IR5Y	3722	37224	0.035
1993	V6 4.3L		6IR5Y	3722	37224	0.035
1993	V8 5.0L		6IR5Y	3722	37224	0.035
1993	V8 5.7L GAS		6IR5Y	3722	37224	0.035
1993	V8 7.4L		6IR5Y	3722	37224	0.035
1992	V6 4.3L		6IR5Y	3722	37224	0.035
1992	V8 5.0L		6IR5Y	3722	37224	0.035
1992	V8 5.7L GAS		6IR5Y	3722	37224	0.035
1992	V8 7.4L		6IR5Y	3722	37224	0.035
1991	V6 4.3L		6IR5Y	3722	37224	0.035
1991	V8 5.0L		6IR5Y	3722	37224	0.035
1991	V8 5.7L		6IR5Y	3722	37224	0.035
1991	V8 7.4L		6IR5Y	3722	37224	0.035
1990-88	V6 4.3L		6IR5Y	3722	37224	0.035
1990-88	V8 5.0L		6IR5Y	3722	37224	0.035
1990-88	V8 5.7L		6IR5Y	3722	37224	0.035
1986	L6 4.8L		6IR5	3721	37214	0.035
1986	V6 4.3L		6IR5Y	3722	37224	0.035
1986	V8 5.0L		6IR4Y	3720	37204	0.035
1986	V8 5.7L Vin L		6IR5Y	3722	37224	0.035
1986	V8 5.7L Vin M		6IR5	3721	37214	0.035
1986	V8 7.4L		6IR5	3721	37214	0.035
1985	L6 4.8L		6IR5	3721	37214	0.035
1985	V6 4.3L		6IR5Y	3722	37224	0.035
1985	V8 5.0L		6IR4Y	3720	37204	0.035
1985	V8 5.7L Vin L		6IR5Y	3722	37224	0.035
1985	V8 5.7L Vin M		6IR5	3721	37214	0.035
1985	V6 7.4L		6IR5	3721	37214	0.035
1984	L6 4.1L		6IR4Y	3720	37204	0.035
1984	L6 4.8L		6IR5	3721	37214	0.035
1984	V8 5.0L		6IR4Y	3720	37204	0.035
1984	V8 5.7L Vin L		6IR4Y	3720	37204	0.035
1984	V8 5.7L Vin M, Heavy Duty		6IR5	3721	37214	0.035
1984	V8 5.7L Vin M, Light Duty		6IR4Y	3720	37204	0.035
1984	V8 7.4L		6IR5	3721	37214	0.035
1983-81	L6 4.1L		6IR4Y	3720	37204	0.035
1983-81	L6 4.8L		6IR5	3721	37214	0.035
1983-81	V8 5.0L		6IR4Y	3720	37204	0.035
1983-81	V8 5.7L Heavy Duty		6IR5	3721	37214	0.035

\* Short Style 6 Series - PN 3741 (single), PN 37414 (4pk) - Pre-gapped 0.035  
 \* Short Style 7 Series - PN 3742 (single), PN 37424 (4pk) - Pre-gapped 0.035

CPB's = Coil Plug Boots  
 \*\* Pre-gapped for optimal performance.



Make Model Year	Engine Size	Notes:	Plug Type	MSD PN Single	MSD PN 4-Pack	Pre-Gap Setting**
1983-81	V8 5.7L	Light Duty	6IR4Y	3720	37204	0.035
1983-81	V8 7.4L		6IR5	3721	37214	0.035
1980	L6 4.1L		6IR4Y	3720	37204	0.035
1980	L6 4.8L		6IR5	3721	37214	0.035
1980	V8 5.0L		6IR4Y	3720	37204	0.035
1980	V8 5.7L	Vin L, Heavy Duty	6IR5	3721	37214	0.035
1980	V8 5.7L	Vin L, Light Duty	6IR4Y	3720	37204	0.035
1980	V8 5.7L	Vin M, Heavy Duty	6IR5	3721	37214	0.035
1980	V8 5.7L	Vin P	6IR4Y	3720	37204	0.035
1980	V8 7.4L	Heavy Duty	6IR5	3721	37214	0.035
1980	V8 7.4L	Light Duty	6IR4Y	3720	37204	0.035
1979	L6 4.1L		6IR4Y	3720	37204	0.035
1979	L6 4.8L		6IR5	3721	37214	0.035
1979	V8 5.0L	Heavy Duty	6IR5	3721	37214	0.035
1979	V8 5.0L	Light Duty	6IR4Y	3720	37204	0.035
1979	V8 5.7L	Heavy Duty	6IR5	3721	37214	0.035
1979	V8 5.7L	Light Duty	6IR4Y	3720	37204	0.035
1979	V8 6.6L	Heavy Duty	6IR5	3721	37214	0.035
1979	V8 6.6L	Light Duty	6IR4Y	3720	37204	0.035
1979	V8 7.4L	Heavy Duty	6IR5	3721	37214	0.035
1979	V8 7.4L	Light Duty	6IR4Y	3720	37204	0.035
<b>C2500 Suburban</b>						
1999-96	V8 5.7L		1IR4Y	3711	37114	0.047
1999-96	V8 7.4L		1IR4Y	3711	37114	0.047
1995-92	V8 5.7L		6IR5Y	3722	37224	0.035
1995-92	V8 7.4L		6IR5Y	3722	37224	0.035
1986-85	V8 5.0L		6IR4Y	3720	37204	0.035
1986-85	V8 5.7L	Vin L	6IR5Y	3722	37224	0.035
1986-85	V8 5.7L	Vin M	6IR5	3721	37214	0.035
1986-85	V8 7.4L		6IR5	3721	37214	0.035
1984	L6 4.8L		6IR5	3721	37214	0.035
1984	V8 5.0L		6IR4Y	3720	37204	0.035
1984	V8 5.7L	Vin L	6IR4Y	3720	37204	0.035
1984	V8 5.7L	Vin M, Heavy Duty	6IR5	3721	37214	0.035
1984	V8 5.7L	Vin M, Light Duty	6IR4Y	3720	37204	0.035
1984	V8 7.4L		6IR5	3721	37214	0.035
1983	V8 5.0L		6IR4Y	3720	37204	0.035
1983	V8 5.7L	Heavy Duty	6IR5	3721	37214	0.035
1983	V8 5.7L	Light Duty	6IR4Y	3720	37204	0.035
1983	V8 7.4L		6IR5	3721	37214	0.035
1982	L6 4.8L		6IR5	3721	37214	0.035
1982	V8 5.0L		6IR4Y	3720	37204	0.035
1982	V8 5.7L	Heavy Duty	6IR5	3721	37214	0.035
1982	V8 5.7L	Light Duty	6IR4Y	3720	37204	0.035
1982	V8 7.4L		6IR5	3721	37214	0.035
1981	L6 4.8L		6IR5	3721	37214	0.035
1981	V8 5.7L	Heavy Duty	6IR5	3721	37214	0.035
1981	V8 5.7L	Light Duty	6IR4Y	3720	37204	0.035
1981	V8 7.4L		6IR5	3721	37214	0.035
1980	L6 4.8L		6IR5	3721	37214	0.035
1980	V8 5.7L	Vin L, Heavy Duty	6IR5	3721	37214	0.035
1980	V8 5.7L	Vin L, Light Duty	6IR4Y	3720	37204	0.035
1980	V8 5.7L	Vin M, Heavy Duty	6IR5	3721	37214	0.035
1980	V8 6.6L	Heavy Duty	6IR5	3721	37214	0.035
1980	V8 6.6L	Light Duty	6IR4Y	3720	37204	0.035
1980	V8 7.4L	Heavy Duty	6IR5	3721	37214	0.035
1980	V8 7.4L	Light Duty	6IR4Y	3720	37204	0.035
1979	L6 4.8L		6IR5	3721	37214	0.035
1979	V8 5.7L	Heavy Duty	6IR5	3721	37214	0.035
1979	V8 5.7L	Light Duty	6IR4Y	3720	37204	0.035
1979	V8 7.4L	Heavy Duty	6IR5	3721	37214	0.035
1979	V8 7.4L	Light Duty	6IR4Y	3720	37204	0.035
<b>C3500</b>						
2002-01	V8 8.1L		1IR5L	3712	37124	0.047
2000-96	V8 5.7L		1IR4Y	3711	37114	0.047
2000-96	V8 7.4L		1IR4Y	3711	37114	0.047
1995-88	V8 5.7L		6IR5Y	3722	37224	0.035
1995-88	V8 7.4L		6IR5Y	3722	37224	0.035
1986	L6 4.8L		6IR5	3721	37214	0.035
1986	V8 5.0L		6IR4Y	3720	37204	0.035
1986	V8 5.7L		6IR5	3721	37214	0.035

Make Model Year	Engine Size	Notes:	Plug Type	MSD PN Single	MSD PN 4-Pack	Pre-Gap Setting**
1986	V8 7.4L		6IR5	3721	37214	0.035
1985	L6 4.8L		6IR5	3721	37214	0.035
1985	V8 5.7L		6IR5	3721	37214	0.035
1985	V8 7.4L		6IR5	3721	37214	0.035
1984-82	L6 4.8L		6IR5	3721	37214	0.035
1984-82	V8 5.7L	Heavy Duty	6IR5	3721	37214	0.035
1984-82	V8 5.7L	Light Duty	6IR4Y	3720	37204	0.035
1984-82	V8 7.4L		6IR5	3721	37214	0.035
1981	L6 4.8L		6IR5	3721	37214	0.035
1981	V8 5.7L		6IR5	3721	37214	0.035
1981	V8 7.4L		6IR5	3721	37214	0.035
1980	L6 4.1L		6IR4Y	3720	37204	0.035
1980	L6 4.8L		6IR5	3721	37214	0.035
1980	V8 5.7L	Heavy Duty	6IR5	3721	37214	0.035
1980	V8 5.7L	Light Duty	6IR4Y	3720	37204	0.035
1980	V8 7.4L	Heavy Duty	6IR5	3721	37214	0.035
1980	V8 7.4L	Light Duty	6IR4Y	3720	37204	0.035
1979	L6 4.1L		6IR4Y	3720	37204	0.035
1979	L6 4.8L		6IR5	3721	37214	0.035
1979	V8 5.7L	Vin L, Heavy Duty	6IR5	3721	37214	0.035
1979	V8 5.7L	Vin L, Light Duty	6IR4Y	3720	37204	0.035
1979	V8 5.7L	Vin M	6IR4Y	3720	37204	0.035
1979	V8 6.6L	Heavy Duty	6IR5	3721	37214	0.035
1979	V8 6.6L	Light Duty	6IR4Y	3720	37204	0.035
1979	V8 7.4L	Heavy Duty	6IR5	3721	37214	0.035
1979	V8 7.4L	Light Duty	6IR4Y	3720	37204	0.035
<b>Caballero</b>						
1987	V6 4.3L		6IR4Y	3720	37204	0.035
1987	V8 5.0L		6IR4Y	3720	37204	0.035
1986	V6 4.3L		6IR4Y	3720	37204	0.035
1986	V8 5.0L		6IR5Y	3722	37224	0.035
1985	V6 4.3L		6IR4Y	3720	37204	0.035
1985	V8 5.0L		6IR4Y	3720	37204	0.035
1984-83	V6 3.8L	Vin 9	6IR4Y	3720	37204	0.035
1984-83	V6 3.8L	Vin A	6IR4Y	3720	37204	0.035
1984-83	V8 5.0L		6IR4Y	3720	37204	0.035
1982-80	V6 3.8L	Vin A	6IR4Y	3720	37204	0.035
1982-80	V6 3.8L	Vin K	6IR4Y	3720	37204	0.035
1982-80	V8 4.4L		6IR4Y	3720	37204	0.035
1982-80	V8 5.0L		6IR4Y	3720	37204	0.035
1979	V6 3.3L		6IR4Y	3720	37204	0.035
1979	V6 3.8L		6IR4Y	3720	37204	0.035
1979	V8 4.4L		6IR4Y	3720	37204	0.035
1979	V8 5.0L		6IR4Y	3720	37204	0.035
1979	V8 5.7L	Heavy Duty	6IR5	3721	37214	0.035
1979	V8 5.7L	Light Duty	6IR4Y	3720	37204	0.035
1978	V6 3.3L		6IR4Y	3720	37204	0.035
1978	V6 3.8L		6IR4Y	3720	37204	0.035
1978	V8 5.0L	Heavy Duty	6IR5	3721	37214	0.035
1978	V8 5.0L	Light Duty	6IR4Y	3720	37204	0.035
1978	V8 5.7L	California	6IR5Y	3722	37224	0.035
1978	V8 5.7L	Heavy Duty	6IR5	3721	37214	0.035
1978	V8 5.7L	Light Duty	6IR4Y	3720	37204	0.035
<b>Canyon</b>						
2011-10	L4 2.9L		5IR5Y	3719	37194	0.040
2011-10	L5 3.7L		5IR5Y	3719	37194	0.040
2011-10	V8 5.3L		1IR5L	3712	37124	0.047
2009	L4 2.9L		5IR5Y	3719	37194	0.040
2009	L5 3.7L		5IR5Y	3719	37194	0.040
2009	V8 5.3L		1IR5L	3712	37124	0.047
2008-07	L4 2.9L		5IR5Y	3719	37194	0.040
2008-07	L5 3.7L		5IR5Y	3719	37194	0.040
2006-04	L4 2.8L	4 CPBs Req	5IR5Y	3719	37194	0.040
2006-04	L5 3.5L	5 CPBs Req	5IR5Y	3719	37194	0.040
<b>Envoy</b>						
2009-08	L6 4.2L		5IR5Y	3719	37194	0.040
2009-08	V8 5.3L		1IR5L	3712	37124	0.047
2007-06	L6 4.2L		5IR5Y	3719	37194	0.040

CPB's = Coil Plug Boots  
 \*\* Pre-gapped for optimal performance.

\* Short Style 6 Series - PN 3741 (single), PN 37414 (4pk) - Pre-gapped 0.035  
 \* Short Style 7 Series - PN 3742 (single), PN 37424 (4pk) - Pre-gapped 0.035



**GMC Envoy continued**

Make Model Year	Engine Size	Notes:	Plug Type	MSD PN Single	MSD PN 4-Pack	Pre-Gap Setting**
2007-06	V8 5.3L		1IR5Y	3713	37134	0.043
2005-03	L6 4.2L	6 CPBs Req	5IR5Y	3719	37194	0.040
2005-03	V8 5.3L		1IR5Y	3713	37134	0.043
2002	L6 4.2L	6 CPBs Req	5IR5Y	3719	37194	0.040
<b>G15</b>						
1978-77	L6 4.1L	Heavy Duty	6IR5	3721	37214	0.035
1978-77	L6 4.1L	Light Duty	6IR4Y	3720	37204	0.035
1978-77	V8 5.0L	Heavy Duty	6IR5	3721	37214	0.035
1978-77	V8 5.0L	Light Duty	6IR4Y	3720	37204	0.035
1978-77	V8 5.7L	California	6IR5Y	3722	37224	0.035
1978-77	V8 5.7L	Heavy Duty	6IR5	3721	37214	0.035
1978-77	V8 5.7L	Light Duty	6IR4Y	3720	37204	0.035
1976	L6 4.1L	Heavy Duty	6IR5	3721	37214	0.035
1976	L6 4.1L	Light Duty	6IR4Y	3720	37204	0.035
1976	V8 5.7L	Vin L, Heavy Duty	6IR5	3721	37214	0.035
1976	V8 5.7L	Vin L, Light Duty	6IR4Y	3720	37204	0.035
1976	V8 5.7L	Vin V	6IR4Y	3720	37204	0.035
1976	V8 6.6L	Heavy Duty	6IR5	3721	37214	0.035
1976	V8 6.6L	Light Duty	6IR4Y	3720	37204	0.035
1975	L6 4.1L		6IR5Y	3722	37224	0.035
1975	V8 5.7L		6IR5	3721	37214	0.035
<b>G15/G1500 Van</b>						
1974	L6 4.1L		6IR5	3721	37214	0.035
1974	V8 5.7L	Vin V, HEI	6IR5Y	3722	37224	0.035
1974	V8 5.7L	Vin V, W/O HEI	6IR5	3721	37214	0.035
1974	V8 5.7L	Vin Y	6IR5	3721	37214	0.035
1973-72	L6 4.1L		6IR5	3721	37214	0.035
1973-72	V8 5.0L		6IR5	3721	37214	0.035
1973-72	V8 5.7L		6IR5	3721	37214	0.035
1971	L6 4.1L		6IR4Y	3720	37204	0.035
1971	V8 5.0L		6IR4Y	3720	37204	0.035
1971	V8 5.7L		6IR5	3721	37214	0.035
1970	L6 4.1L		6IR5	3721	37214	0.035
1970	V8 5.0L		15IR6	3740	37404	0.032
1969	L6 3.8L		11IR4Y	3731	37314	0.035
1969	L6 4.1L		11IR4Y	3731	37314	0.035
1969	V8 5.0L		15IR6	3740	37404	0.032
1968	L6 3.8L		11IR4Y	3731	37314	0.035
1968	L6 4.1L		11IR4Y	3731	37314	0.035
1968	V8 5.0L		15IR5Y	3739	37394	0.035
1967	L6 3.8L		11IR4Y	3731	37314	0.035
1967	L6 4.1L		11IR4Y	3731	37314	0.035
1967	V8 4.6L		15IR6	3740	37404	0.032
1967	V8 5.4L		15IR6	3740	37404	0.032
<b>G25</b>						
1978	L6 4.1L	Heavy Duty	6IR5	3721	37214	0.035
1978	L6 4.1L	Light Duty	6IR4Y	3720	37204	0.035
1978	L6 4.8L		6IR5	3721	37214	0.035
1978	V8 5.0L	Heavy Duty	6IR5	3721	37214	0.035
1978	V8 5.0L	Light Duty	6IR4Y	3720	37204	0.035
1978	V8 5.7L	California	6IR5Y	3722	37224	0.035
1978	V8 5.7L	Heavy Duty	6IR5	3721	37214	0.035
1978	V8 5.7L	Light Duty	6IR4Y	3720	37204	0.035
1978	V8 6.6L	Heavy Duty	6IR5	3721	37214	0.035
1978	V8 6.6L	Light Duty	6IR4Y	3720	37204	0.035
1977	L6 4.8L		6IR5	3721	37214	0.035
1977	V8 5.0L	Heavy Duty	6IR5	3721	37214	0.035
1977	V8 5.0L	Light Duty	6IR4Y	3720	37204	0.035
1977	V8 5.7L	California	6IR5Y	3722	37224	0.035
1977	V8 5.7L	Heavy Duty	6IR5	3721	37214	0.035
1977	V8 5.7L	Light Duty	6IR4Y	3720	37204	0.035
1977	V8 6.6L	California	6IR5Y	3722	37224	0.035
1977	V8 6.6L	Heavy Duty	6IR5	3721	37214	0.035
1977	V8 6.6L	Light Duty	6IR4Y	3720	37204	0.035
1976	L6 4.8L		6IR5	3721	37214	0.035
1976	V8 5.7L	Vin L, Heavy Duty	6IR5	3721	37214	0.035
1976	V8 5.7L	Vin L, Light Duty	6IR4Y	3720	37204	0.035
1976	V8 6.6L	Heavy Duty	6IR5	3721	37214	0.035
1976	V8 6.6L	Light Duty	6IR4Y	3720	37204	0.035
1976	V8 7.4L		6IR4Y	3720	37204	0.035

Make Model Year	Engine Size	Notes:	Plug Type	MSD PN Single	MSD PN 4-Pack	Pre-Gap Setting**
1975	L6 4.8L	California	6IR5Y	3722	37224	0.035
1975	L6 4.8L	Non-California	6IR5	3721	37214	0.035
1975	V8 5.7L		6IR5	3721	37214	0.035
1975	V8 6.6L		6IR5	3721	37214	0.035
1975	V8 7.4L	HEI	6IR5Y	3722	37224	0.035
1975	V8 7.4L	W/O HEI	6IR5	3721	37214	0.035
<b>G25/G2500 Van</b>						
1974	L6 4.1L		6IR5	3721	37214	0.035
1974	L6 4.8L		6IR5	3721	37214	0.035
1974	V8 5.7L	Vin V, HEI	6IR5Y	3722	37224	0.035
1974	V8 5.7L	Vin V, W/O HEI	6IR5	3721	37214	0.035
1974	V8 5.7L	Vin Y	6IR5	3721	37214	0.035
1973-72	L6 4.1L		6IR5	3721	37214	0.035
1973-72	V8 5.0L		6IR5	3721	37214	0.035
1973-72	V8 5.7L		6IR5	3721	37214	0.035
1971	L6 4.1L		6IR4Y	3720	37204	0.035
1971	V8 5.0L		6IR4Y	3720	37204	0.035
1971	V8 5.7L	Vin A	6IR5	3721	37214	0.035
1971	V8 5.7L	Vin B	6IR5	3721	37214	0.035
1971	V8 5.7L	Vin E	6IR4Y	3720	37204	0.035
1970	L6 4.1L		6IR5	3721	37214	0.035
1970	V8 5.0L		15IR6	3740	37404	0.032
1970	V8 5.7L		15IR6	3740	37404	0.032
1969	L6 3.8L		11IR4Y	3731	37314	0.035
1969	L6 4.1L		11IR4Y	3731	37314	0.035
1969	V8 5.0L		15IR6	3740	37404	0.032
1968	L6 3.8L		11IR4Y	3731	37314	0.035
1968	L6 4.1L		11IR4Y	3731	37314	0.035
1968	V8 5.0L		15IR5Y	3739	37394	0.035
1967	L6 3.8L		11IR4Y	3731	37314	0.035
1967	L6 4.1L		11IR4Y	3731	37314	0.035
1967	V8 4.6L		15IR6	3740	37404	0.032
1967	V8 5.4L		15IR6	3740	37404	0.032
<b>G35</b>						
1978	L6 4.1L	Heavy Duty	6IR5	3721	37214	0.035
1978	L6 4.1L	Light Duty	6IR4Y	3720	37204	0.035
1978	L6 4.8L		6IR5	3721	37214	0.035
1978	V8 5.7L	California	6IR5Y	3722	37224	0.035
1978	V8 5.7L	Heavy Duty	6IR5	3721	37214	0.035
1978	V8 5.7L	Light Duty	6IR4Y	3720	37204	0.035
1978	V8 6.6L	Heavy Duty	6IR5	3721	37214	0.035
1978	V8 6.6L	Light Duty	6IR4Y	3720	37204	0.035
1977	L6 4.8L		6IR5	3721	37214	0.035
1977	V8 5.7L	California	6IR5Y	3722	37224	0.035
1977	V8 5.7L	Heavy Duty	6IR5	3721	37214	0.035
1977	V8 5.7L	Light Duty	6IR4Y	3720	37204	0.035
1977	V8 6.6L	California	6IR5Y	3722	37224	0.035
1977	V8 6.6L	Heavy Duty	6IR5	3721	37214	0.035
1977	V8 6.6L	Light Duty	6IR4Y	3720	37204	0.035
1976	L6 4.8L		6IR5	3721	37214	0.035
1976	V8 5.7L	Vin L, Heavy Duty	6IR5	3721	37214	0.035
1976	V8 5.7L	Vin L, Light Duty	6IR4Y	3720	37204	0.035
1976	V8 5.7L	Vin V	6IR4Y	3720	37204	0.035
1976	V8 6.6L	Heavy Duty	6IR5	3721	37214	0.035
1976	V8 6.6L	Light Duty	6IR4Y	3720	37204	0.035
1976	V8 7.4L	Vin S	6IR4Y	3720	37204	0.035
1976	V8 7.4L	Vin Y	6IR5	3721	37214	0.035
1975	L6 4.8L	California	6IR5Y	3722	37224	0.035
1975	L6 4.8L	Non-California	6IR5	3721	37214	0.035
1975	V8 5.7L		6IR5	3721	37214	0.035
1975	V8 6.6L		6IR5	3721	37214	0.035
<b>G35/G3500 Van</b>						
1974	L6 4.1L		6IR5	3721	37214	0.035
1974	L6 4.8L		6IR5	3721	37214	0.035
1974	V8 5.7L	Vin V, HEI	6IR5Y	3722	37224	0.035
1974	V8 5.7L	Vin V, W/O HEI	6IR5	3721	37214	0.035
1974	V8 5.7L	Vin Y	6IR5	3721	37214	0.035
1973-72	L6 4.1L		6IR5	3721	37214	0.035
1973-72	V8 5.7L		6IR5	3721	37214	0.035
1971	L6 4.1L		6IR4Y	3720	37204	0.035

\* Short Style 6 Series - PN 3741 (single), PN 37414 (4pk) - Pre-gapped 0.035  
 \* Short Style 7 Series - PN 3742 (single), PN 37424 (4pk) - Pre-gapped 0.035

CPB's = Coil Plug Boots  
 \*\* Pre-gapped for optimal performance.





Make Model Year	Engine Size	Notes:	Plug Type	MSD PN Single	MSD PN 4-Pack	Pre-Gap Setting**
1971	V8 5.7L	Vin A	6IR5	3721	37214	0.035
1971	V8 5.7L	Vin B	6IR5	3721	37214	0.035
1971	V8 5.7L	Vin E	6IR4Y	3720	37204	0.035
1967	V8 5.3L		15IR6	3740	37404	0.032
<b>G1000 Series</b>						
1966	L6 3.2L		11IR4Y	3731	37314	0.035
1966	L6 3.8L		11IR4Y	3731	37314	0.035
1965-64	L6 3.8L		11IR4Y	3731	37314	0.035
<b>G1500</b>						
1995	V6 4.3L		6IR5Y	3722	37224	0.035
1995	V8 5.0L		6IR5Y	3722	37224	0.035
1994	V6 4.3L		6IR5Y	3722	37224	0.035
1994	V8 5.0L		6IR5Y	3722	37224	0.035
1993-87	V6 4.3L		6IR5Y	3722	37224	0.035
1993-87	V8 5.0L		6IR5Y	3722	37224	0.035
1993-87	V8 5.7L		6IR5Y	3722	37224	0.035
1986-85	V6 4.3L		6IR5Y	3722	37224	0.035
1986-85	V8 5.0L		6IR5Y	3722	37224	0.035
1986-85	V8 5.7L		6IR5Y	3722	37224	0.035
1984	L6 4.1L		6IR4Y	3720	37204	0.035
1984	V8 5.0L		6IR5Y	3722	37224	0.035
1984	V8 5.7L		6IR5Y	3722	37224	0.035
1983-80	L6 4.1L		6IR4Y	3720	37204	0.035
1983-80	V8 5.0L		6IR4Y	3720	37204	0.035
1983-80	V8 5.7L	Heavy Duty	6IR5	3721	37214	0.035
1983-80	V8 5.7L	Light Duty	6IR4Y	3720	37204	0.035
1979	L6 4.1L		6IR4Y	3720	37204	0.035
1979	V8 5.0L		6IR4Y	3720	37204	0.035
1979	V8 5.7L	Heavy Duty	6IR5	3721	37214	0.035
1979	V8 5.7L	Light Duty	6IR4Y	3720	37204	0.035
1979	V8 6.6L	Heavy Duty	6IR5	3721	37214	0.035
1979	V8 6.6L	Light Duty	6IR4Y	3720	37204	0.035
<b>G2500</b>						
1995-94	V6 4.3L		6IR5Y	3722	37224	0.035
1995-94	V8 5.0L		6IR5Y	3722	37224	0.035
1995-94	V8 5.7L		6IR5Y	3722	37224	0.035
1993-87	V6 4.3L		6IR5Y	3722	37224	0.035
1993-87	V8 5.0L		6IR5Y	3722	37224	0.035
1993-87	V8 5.7L		6IR5Y	3722	37224	0.035
1986-85	V6 4.3L		6IR5Y	3722	37224	0.035
1986-85	V8 5.0L		6IR5Y	3722	37224	0.035
1986-85	V8 5.7L	Vin L	6IR5Y	3722	37224	0.035
1986-85	V8 5.7L	Vin M	6IR5	3721	37214	0.035
1984	L6 4.1L		6IR4Y	3720	37204	0.035
1984	V8 5.0L		6IR5Y	3722	37224	0.035
1984	V8 5.7L		6IR5Y	3722	37224	0.035
1983-81	L6 4.1L		6IR4Y	3720	37204	0.035
1983-81	V8 5.0L		6IR4Y	3720	37204	0.035
1983-81	V8 5.7L	Heavy Duty	6IR5	3721	37214	0.035
1983-81	V8 5.7L	Light Duty	6IR4Y	3720	37204	0.035
1980	L6 4.1L		6IR4Y	3720	37204	0.035
1980	V8 5.0L		6IR4Y	3720	37204	0.035
1980	V8 5.7L	Heavy Duty	6IR5	3721	37214	0.035
1980	V8 5.7L	Light Duty	6IR4Y	3720	37204	0.035
1980	V8 6.6L	Heavy Duty	6IR5	3721	37214	0.035
1980	V8 6.6L	Light Duty	6IR4Y	3720	37204	0.035
1979	L6 4.1L		6IR4Y	3720	37204	0.035
1979	V8 5.0L	Heavy Duty	6IR5	3721	37214	0.035
1979	V8 5.0L	Light Duty	6IR4Y	3720	37204	0.035
1979	V8 5.7L	Heavy Duty	6IR5	3721	37214	0.035
1979	V8 5.7L	Light Duty	6IR4Y	3720	37204	0.035
1979	V8 6.6L		6IR4Y	3720	37204	0.035
<b>G3500</b>						
1996	V8 5.7L		6IR5Y	3722	37224	0.035
1996	V8 7.4L		6IR5Y	3722	37224	0.035
1995-94	V6 4.3L		6IR5Y	3722	37224	0.035
1995-94	V8 5.7L		6IR5Y	3722	37224	0.035
1995-94	V8 7.4L		6IR5Y	3722	37224	0.035
1993-89	V6 4.3L		6IR5Y	3722	37224	0.035
1993-89	V8 5.7L		6IR5Y	3722	37224	0.035

Make Model Year	Engine Size	Notes:	Plug Type	MSD PN Single	MSD PN 4-Pack	Pre-Gap Setting**
1993-89	V8 7.4L		6IR5Y	3722	37224	0.035
1988	V6 4.3L		6IR5Y	3722	37224	0.035
1988	V8 5.7L	CARB	6IR5	3721	37214	0.035
1988	V8 5.7L	FI	6IR5Y	3722	37224	0.035
1988	V8 7.4L		6IR5Y	3722	37224	0.035
1987	V6 4.3L		6IR5Y	3722	37224	0.035
1987	V8 5.7L	CARB	6IR5	3721	37214	0.035
1987	V8 5.7L	FI	6IR5Y	3722	37224	0.035
1986-85	V6 4.3L		6IR5Y	3722	37224	0.035
1986-85	V8 5.7L	Vin L	6IR5Y	3722	37224	0.035
1986-85	V8 5.7L	Vin M	6IR5	3721	37214	0.035
1984	L6 4.1L		6IR4Y	3720	37204	0.035
1984	V8 5.7L	Vin E, Light Duty	6IR4Y	3720	37204	0.035
1984	V8 5.7L	Vin L	6IR5Y	3722	37224	0.035
1984	V8 5.7L	Vin M, Heavy Duty	6IR5	3721	37214	0.035
1984	V8 5.7L	Vin M, Light Duty	6IR4Y	3720	37204	0.035
1983-82	L6 4.1L		6IR4Y	3720	37204	0.035
1983-82	V8 5.7L	Heavy Duty	6IR5	3721	37214	0.035
1983-82	V8 5.7L	Light Duty	6IR4Y	3720	37204	0.035
1981	V8 5.0L		6IR4Y	3720	37204	0.035
1981	V8 5.7L	Heavy Duty	6IR5	3721	37214	0.035
1981	V8 5.7L	Light Duty	6IR4Y	3720	37204	0.035
1980	V8 5.7L	Heavy Duty	6IR5	3721	37214	0.035
1980	V8 5.7L	Light Duty	6IR4Y	3720	37204	0.035
1980	V8 6.6L	Heavy Duty	6IR5	3721	37214	0.035
1980	V8 6.6L	Light Duty	6IR4Y	3720	37204	0.035
1979	L6 4.1L		6IR4Y	3720	37204	0.035
1979	V8 5.7L	Heavy Duty	6IR5	3721	37214	0.035
1979	V8 5.7L	Light Duty	6IR4Y	3720	37204	0.035
1979	V8 6.6L		6IR4Y	3720	37204	0.035
<b>Jimmy</b>						
2005	V6 4.3L		1IR4Y	3711	37114	0.047
2004-96	V6 4.3L		1IR5L	3712	37124	0.047
1995-92	V6 4.3L		6IR5Y	3722	37224	0.035
1991-88	V8 5.7L		6IR5Y	3722	37224	0.035
1987	V8 5.0L		6IR5Y	3722	37224	0.035
1987	V8 5.7L		6IR5Y	3722	37224	0.035
1986-85	V8 5.0L		6IR4Y	3720	37204	0.035
1986-85	V8 5.7L		6IR5Y	3722	37224	0.035
1984	V8 5.0L		6IR5Y	3722	37224	0.035
1984	V8 5.7L		6IR5Y	3722	37224	0.035
1983	V8 5.0L		6IR4Y	3720	37204	0.035
1983	V8 5.7L		6IR4Y	3720	37204	0.035
1982	L6 4.1L		6IR4Y	3720	37204	0.035
1982	V8 5.0L		6IR4Y	3720	37204	0.035
1982	V8 5.7L		6IR4Y	3720	37204	0.035
1981-80	L6 4.1L		6IR4Y	3720	37204	0.035
1981-80	V8 5.0L		6IR4Y	3720	37204	0.035
1981-80	V8 5.7L	Heavy Duty	6IR5	3721	37214	0.035
1981-80	V8 5.7L	Light Duty	6IR4Y	3720	37204	0.035
1979	L6 4.1L		6IR4Y	3720	37204	0.035
1979	V8 5.0L		6IR4Y	3720	37204	0.035
1979	V8 5.7L	Heavy Duty	6IR5	3721	37214	0.035
1979	V8 5.7L	Light Duty	6IR4Y	3720	37204	0.035
1979	V8 6.6L	Heavy Duty	6IR5	3721	37214	0.035
1979	V8 6.6L	Light Duty	6IR4Y	3720	37204	0.035
1978	L6 4.1L		6IR4Y	3720	37204	0.035
1978	V8 5.0L	Heavy Duty	6IR5	3721	37214	0.035
1978	V8 5.0L	Light Duty	6IR4Y	3720	37204	0.035
1978	V8 5.7L	California	6IR5Y	3722	37224	0.035
1978	V8 5.7L	Heavy Duty	6IR5	3721	37214	0.035
1978	V8 5.7L	Light Duty	6IR4Y	3720	37204	0.035
1978	V8 6.6L	Heavy Duty	6IR5	3721	37214	0.035
1978	V8 6.6L	Light Duty	6IR4Y	3720	37204	0.035
1977	L6 4.1L		6IR4Y	3720	37204	0.035
1977	V8 5.0L	Heavy Duty	6IR5	3721	37214	0.035
1977	V8 5.0L	Light Duty	6IR4Y	3720	37204	0.035
1977	V8 5.7L	California	6IR5Y	3722	37224	0.035
1977	V8 5.7L	Heavy Duty	6IR5	3721	37214	0.035
1977	V8 5.7L	Light Duty	6IR4Y	3720	37204	0.035
1977	V8 6.6L		6IR5Y	3722	37224	0.035

CPB's = Coil Plug Boots  
 \*\* Pre-gapped for optimal performance.

\* Short Style 6 Series - PN 3741 (single), PN 37414 (4pk) - Pre-gapped 0.035  
 \* Short Style 7 Series - PN 3742 (single), PN 37424 (4pk) - Pre-gapped 0.035



**GMC Jimmy continued**

Make Model Year	Engine Size	Notes:	Plug Type	MSD PN Single	MSD PN 4-Pack	Pre-Gap Setting**
1976	L6 4.1L		6IR4Y	3720	37204	0.035
1976	V8 5.7L	Vin L, Heavy Duty	6IR5	3721	37214	0.035
1976	V8 5.7L	Vin L, Light Duty	6IR4Y	3720	37204	0.035
1976	V8 5.7L	Vin V	6IR4Y	3720	37204	0.035
1976	V8 6.6L	Heavy Duty	6IR5	3721	37214	0.035
1976	V8 6.6L	Light Duty	6IR4Y	3720	37204	0.035
1976	V8 7.4L		6IR5	3721	37214	0.035
1975	L6 4.1L		6IR5Y	3722	37224	0.035
1975	V8 5.7L	HEI	6IR5Y	3722	37224	0.035
1975	V8 5.7L	W/O HEI	6IR5	3721	37214	0.035
1975	V8 6.6L		6IR5	3721	37214	0.035
1974	L6 4.1L		6IR5	3721	37214	0.035
1974	V8 5.7L		6IR5	3721	37214	0.035
1973	L6 4.1L		6IR5	3721	37214	0.035
1973	L6 4.8L		6IR5	3721	37214	0.035
1973	V8 5.7L		6IR5	3721	37214	0.035
1973	V8 7.4L		6IR5	3721	37214	0.035
1972	L6 4.1L		6IR5	3721	37214	0.035
1972	V8 5.0L		6IR5	3721	37214	0.035
1972	V8 5.7L		6IR5	3721	37214	0.035
1971	L6 4.1L		6IR4Y	3720	37204	0.035
1971	V8 5.0L		6IR4Y	3720	37204	0.035
1971	V8 5.7L	215 HP	6IR5	3721	37214	0.035
1971	V8 5.7L	250 HP	6IR4Y	3720	37204	0.035
1970	L6 4.1L		6IR5	3721	37214	0.035
1970	V8 5.0L		15IR6	3740	37404	0.032
1970	V8 5.7L		15IR6	3740	37404	0.032
<b>K15</b>						
1978	L6 4.1L		6IR4Y	3720	37204	0.035
1978	V8 5.0L	Heavy Duty	6IR5	3721	37214	0.035
1978	V8 5.0L	Light Duty	6IR4Y	3720	37204	0.035
1978	V8 5.7L	California	6IR5Y	3722	37224	0.035
1978	V8 5.7L	Heavy Duty	6IR5	3721	37214	0.035
1978	V8 5.7L	Light Duty	6IR4Y	3720	37204	0.035
1978	V8 6.6L	Heavy Duty	6IR5	3721	37214	0.035
1978	V8 6.6L	Light Duty	6IR4Y	3720	37204	0.035
1977	L6 4.1L		6IR4Y	3720	37204	0.035
1977	V8 5.0L	Heavy Duty	6IR5	3721	37214	0.035
1977	V8 5.0L	Light Duty	6IR4Y	3720	37204	0.035
1977	V8 5.7L	California	6IR5Y	3722	37224	0.035
1977	V8 5.7L	Heavy Duty	6IR5	3721	37214	0.035
1977	V8 5.7L	Light Duty	6IR4Y	3720	37204	0.035
1977	V8 6.6L	California	6IR5Y	3722	37224	0.035
1977	V8 6.6L	Heavy Duty	6IR5	3721	37214	0.035
1977	V8 6.6L	Light Duty	6IR4Y	3720	37204	0.035
1976	L6 4.1L		6IR4Y	3720	37204	0.035
1976	L6 4.8L		6IR5	3721	37214	0.035
1976	V8 5.0L	Heavy Duty	6IR5	3721	37214	0.035
1976	V8 5.0L	Light Duty	6IR4Y	3720	37204	0.035
1976	V8 5.7L	Vin L, Heavy Duty	6IR5	3721	37214	0.035
1976	V8 5.7L	Vin L, Light Duty	6IR4Y	3720	37204	0.035
1976	V8 5.7L	Vin V	6IR4Y	3720	37204	0.035
1976	V8 6.6L	Heavy Duty	6IR5	3721	37214	0.035
1976	V8 6.6L	Light Duty	6IR4Y	3720	37204	0.035
1976	V8 7.4L	Vin S	6IR4Y	3720	37204	0.035
1976	V8 7.4L	Vin Y	6IR5	3721	37214	0.035
1975	L6 4.1L		6IR5Y	3722	37224	0.035
1975	L6 4.8L	HEI	6IR5Y	3722	37224	0.035
1975	L6 4.8L	W/O HEI	6IR5	3721	37214	0.035
1975	V8 5.7L	HEI	6IR5Y	3722	37224	0.035
1975	V8 5.7L	W/O HEI	6IR5	3721	37214	0.035
1975	V8 6.6L		6IR5	3721	37214	0.035
<b>K15/K1500 Pickup</b>						
1974-72	L6 4.1L		6IR5	3721	37214	0.035
1974-72	V8 5.7L		6IR5	3721	37214	0.035
1971	L6 4.1L		6IR4Y	3720	37204	0.035
1971	V8 5.7L	215 HP	6IR5	3721	37214	0.035
1971	V8 5.7L	250 HP	6IR4Y	3720	37204	0.035
1970	L6 4.1L		6IR5	3721	37214	0.035
1970	V8 5.0L		15IR6	3740	37404	0.032
1970	V8 5.7L		15IR6	3740	37404	0.032

Make Model Year	Engine Size	Notes:	Plug Type	MSD PN Single	MSD PN 4-Pack	Pre-Gap Setting**
1969	L6 3.8L		11IR4Y	3731	37314	0.035
1969	L6 4.1L		11IR4Y	3731	37314	0.035
1969	V8 5.0L		15IR6	3740	37404	0.032
1969	V8 5.7L		15IR6	3740	37404	0.032
1969	V8 6.5L		11IR5Y	3733	37334	0.035
1968	L6 3.8L		11IR4Y	3731	37314	0.035
1968	L6 4.1L		11IR4Y	3731	37314	0.035
1968	V8 5.0L		15IR5Y	3739	37394	0.035
1968	V8 5.4L		15IR6	3740	37404	0.032
1968	V8 6.5L		11IR5Y	3733	37334	0.035
1967	L6 3.8L		11IR4Y	3731	37314	0.035
1967	L6 4.1L		11IR4Y	3731	37314	0.035
1967	L6 4.8L		11IR6	3734	37344	0.032
1967	V8 4.6L		15IR6	3740	37404	0.032
1967	V8 5.3L		15IR6	3740	37404	0.032
1966	L6 3.8L		11IR4Y	3731	37314	0.035
1966	L6 4.1L		11IR4Y	3731	37314	0.035
1966	L6 4.8L		11IR6	3734	37344	0.032
<b>K15/K1500 Suburban</b>						
1974	L6 4.1L		6IR5	3721	37214	0.035
1974	V8 5.7L		6IR5	3721	37214	0.035
1973	L6 4.1L		6IR5	3721	37214	0.035
1973	V8 5.0L		6IR5	3721	37214	0.035
1973	V8 5.7L		6IR5	3721	37214	0.035
1972	L6 4.1L		6IR5	3721	37214	0.035
1972	V8 5.0L		6IR5	3721	37214	0.035
1972	V8 5.7L		6IR5	3721	37214	0.035
1972	V8 6.6L		6IR5	3721	37214	0.035
1971	L6 4.1L		6IR4Y	3720	37204	0.035
1971	V8 5.0L		6IR4Y	3720	37204	0.035
1971	V8 5.7L	215 HP	6IR5	3721	37214	0.035
1971	V8 5.7L	250 HP	6IR4Y	3720	37204	0.035
1971	V8 6.6L		6IR4Y	3720	37204	0.035
1970	L6 4.1L		6IR5	3721	37214	0.035
1970	V8 5.0L		15IR6	3740	37404	0.032
1970	V8 5.7L		15IR6	3740	37404	0.032
<b>K15 Suburban</b>						
1978	L6 4.1L		6IR4Y	3720	37204	0.035
1978	V8 5.0L	Heavy Duty	6IR5	3721	37214	0.035
1978	V8 5.0L	Light Duty	6IR4Y	3720	37204	0.035
1978	V8 5.7L	Heavy Duty	6IR5	3721	37214	0.035
1978	V8 5.7L	Light Duty	6IR4Y	3720	37204	0.035
1978	V8 6.6L	Heavy Duty	6IR5	3721	37214	0.035
1978	V8 6.6L	Light Duty	6IR4Y	3720	37204	0.035
1977	L6 4.1L		6IR4Y	3720	37204	0.035
1977	V8 5.0L	Heavy Duty	6IR5	3721	37214	0.035
1977	V8 5.0L	Light Duty	6IR4Y	3720	37204	0.035
1977	V8 5.7L	California	6IR5Y	3722	37224	0.035
1977	V8 5.7L	Heavy Duty	6IR5	3721	37214	0.035
1977	V8 5.7L	Light Duty	6IR4Y	3720	37204	0.035
1977	V8 6.6L	California	6IR5Y	3722	37224	0.035
1977	V8 6.6L	Heavy Duty	6IR5	3721	37214	0.035
1977	V8 6.6L	Light Duty	6IR4Y	3720	37204	0.035
1976	L6 4.1L		6IR4Y	3720	37204	0.035
1976	L6 4.8L		6IR5	3721	37214	0.035
1976	V8 5.0L	Heavy Duty	6IR5	3721	37214	0.035
1976	V8 5.0L	Light Duty	6IR4Y	3720	37204	0.035
1976	V8 5.7L	Vin L, Heavy Duty	6IR5	3721	37214	0.035
1976	V8 5.7L	Vin L, Light Duty	6IR4Y	3720	37204	0.035
1976	V8 5.7L	Vin V	6IR4Y	3720	37204	0.035
1976	V8 6.6L	Heavy Duty	6IR5	3721	37214	0.035
1976	V8 6.6L	Light Duty	6IR4Y	3720	37204	0.035
1977	V8 5.0L	Heavy Duty	6IR5	3721	37214	0.035
1977	V8 5.0L	Light Duty	6IR4Y	3720	37204	0.035
1977	V8 5.7L	California	6IR5Y	3722	37224	0.035
1977	V8 5.7L	Heavy Duty	6IR5	3721	37214	0.035
1977	V8 5.7L	Light Duty	6IR4Y	3720	37204	0.035
1977	V8 6.6L	California	6IR5Y	3722	37224	0.035
1977	V8 6.6L	Heavy Duty	6IR5	3721	37214	0.035
1977	V8 6.6L	Light Duty	6IR4Y	3720	37204	0.035
1976	L6 4.1L		6IR4Y	3720	37204	0.035
1976	V8 5.0L	Heavy Duty	6IR5	3721	37214	0.035
1976	V8 5.0L	Light Duty	6IR4Y	3720	37204	0.035
1976	V8 5.7L	Vin L, Heavy Duty	6IR5	3721	37214	0.035
1976	V8 5.7L	Vin L, Light Duty	6IR4Y	3720	37204	0.035
1976	V8 5.7L	Vin V	6IR4Y	3720	37204	0.035
1976	V8 6.6L	Heavy Duty	6IR5	3721	37214	0.035
1976	V8 6.6L	Light Duty	6IR4Y	3720	37204	0.035

\* Short Style 6 Series - PN 3741 (single), PN 37414 (4pk) - Pre-gapped 0.035  
 \* Short Style 7 Series - PN 3742 (single), PN 37424 (4pk) - Pre-gapped 0.035

CPB's = Coil Plug Boots  
 \*\* Pre-gapped for optimal performance.



Make Model Year	Engine Size	Notes:	Plug Type	MSD PN Single	MSD PN 4-Pack	Pre-Gap Setting**
1975	L6 4.1L		6IR5Y	3722	37224	0.035
1975	V8 5.7L	HEI	6IR5Y	3722	37224	0.035
1975	V8 5.7L	W/O HEI	6IR5	3721	37214	0.035
1975	V8 6.6L		6IR5	3721	37214	0.035
<b>K25</b>						
1978	L6 4.1L		6IR4Y	3720	37204	0.035
1978	L6 4.8L		6IR5	3721	37214	0.035
1978	V8 5.0L	Heavy Duty	6IR5	3721	37214	0.035
1978	V8 5.0L	Light Duty	6IR4Y	3720	37204	0.035
1978	V8 5.7L	California	6IR5Y	3722	37224	0.035
1978	V8 5.7L	Heavy Duty	6IR5	3721	37214	0.035
1978	V8 5.7L	Light Duty	6IR4Y	3720	37204	0.035
1978	V8 6.6L	Heavy Duty	6IR5	3721	37214	0.035
1978	V8 6.6L	Light Duty	6IR4Y	3720	37204	0.035
1978	V8 7.4L	Heavy Duty	6IR5	3721	37214	0.035
1978	V8 7.4L	Light Duty	6IR4Y	3720	37204	0.035
1977	L6 4.8L		6IR5	3721	37214	0.035
1977	V8 5.0L	Heavy Duty	6IR5	3721	37214	0.035
1977	V8 5.0L	Light Duty	6IR4Y	3720	37204	0.035
1977	V8 5.7L	California	6IR5Y	3722	37224	0.035
1977	V8 5.7L	Heavy Duty	6IR5	3721	37214	0.035
1977	V8 5.7L	Light Duty	6IR4Y	3720	37204	0.035
1977	V8 6.6L	California	6IR5Y	3722	37224	0.035
1977	V8 6.6L	Heavy Duty	6IR5	3721	37214	0.035
1977	V8 6.6L	Light Duty	6IR4Y	3720	37204	0.035
1977	V8 7.4L	Heavy Duty	6IR5	3721	37214	0.035
1977	V8 7.4L	Li ht Duty	6IR4Y	3720	37204	0.035
1976	L6 4.1L		6IR4Y	3720	37204	0.035
1976	L6 4.8L		6IR5	3721	37214	0.035
1976	V8 5.7L	Vin L, Heavy Duty	6IR5	3721	37214	0.035
1976	V8 5.7L	Vin L, Light Duty	6IR4Y	3720	37204	0.035
1976	V8 5.7L	Vin V	6IR4Y	3720	37204	0.035
1976	V8 6.6L	Heavy Duty	6IR5	3721	37214	0.035
1976	V8 6.6L	Light Duty	6IR4Y	3720	37204	0.035
1976	V8 7.4L	Heavy Duty	6IR5	3721	37214	0.035
1976	V8 7.4L	Light Duty	6IR4Y	3720	37204	0.035
1975	L6 4.1L		6IR5Y	3722	37224	0.035
1975	L6 4.8L	HEI	6IR5Y	3722	37224	0.035
1975	L6 4.8L	W/O HEI	6IR5	3721	37214	0.035
1975	V8 5.7L	HEI	6IR5Y	3722	37224	0.035
1975	V8 5.7L	W/O HEI	6IR5	3721	37214	0.035
1975	V8 6.6L		6IR5	3721	37214	0.035
<b>K25/K2500 Pickup</b>						
1974-73	L6 4.1L		6IR5	3721	37214	0.035
1974-73	L6 4.8L		6IR5	3721	37214	0.035
1974-73	V8 5.7L		6IR5	3721	37214	0.035
1974-73	V8 7.4L		6IR5	3721	37214	0.035
1972	L6 4.1L		6IR5	3721	37214	0.035
1972	L6 4.8L		6IR5	3721	37214	0.035
1972	V8 5.7L		6IR5	3721	37214	0.035
1971	L6 4.1L		6IR4Y	3720	37204	0.035
1971	L6 4.8L		6IR5	3721	37214	0.035
1971	V8 5.7L	215 HP	6IR5	3721	37214	0.035
1971	V8 5.7L	250 HP	6IR4Y	3720	37204	0.035
1970	L6 4.1L		6IR5	3721	37214	0.035
1970	L6 4.8L		6IR5	3721	37214	0.035
1970	V8 5.0L		15IR6	3740	37404	0.032
1970	V8 5.7L		15IR6	3740	37404	0.032
1969	L6 4.1L		11IR4Y	3731	37314	0.035
1969	V8 5.0L		15IR6	3740	37404	0.032
1969	V8 5.7L		15IR6	3740	37404	0.032
1969	V8 6.5L		11IR5Y	3733	37334	0.035
1968	L6 4.1L		11IR4Y	3731	37314	0.035
1968	V8 5.0L		15IR5Y	3739	37394	0.035
1968	V8 5.4L		15IR6	3740	37404	0.032
1968	V8 6.5L		11IR5Y	3733	37334	0.035
1967	L6 4.1L		11IR4Y	3731	37314	0.035
1967	L6 4.8L		11IR6	3734	37344	0.032
1967	V8 4.6L		15IR6	3740	37404	0.032
1967	V8 5.3L		15IR6	3740	37404	0.032

Make Model Year	Engine Size	Notes:	Plug Type	MSD PN Single	MSD PN 4-Pack	Pre-Gap Setting**
<b>K25/K2500 Suburban</b>						
1974	L6 4.1L		6IR5	3721	37214	0.035
1974	L6 4.8L		6IR5	3721	37214	0.035
1974	V8 5.7L		6IR5	3721	37214	0.035
1973-72	L6 4.1L		6IR5	3721	37214	0.035
1973-72	L6 4.8L		6IR5	3721	37214	0.035
1973-72	V8 5.0L		6IR5	3721	37214	0.035
1973-72	V8 5.7L		6IR5	3721	37214	0.035
1971	L6 4.1L		6IR4Y	3720	37204	0.035
1971	L6 4.8L		6IR5	3721	37214	0.035
1971	V8 5.0L		6IR4Y	3720	37204	0.035
1971	V8 5.7L	215 HP	6IR5	3721	37214	0.035
1971	V8 5.7L	250 HP	6IR4Y	3720	37204	0.035
1970	L6 4.1L		6IR5	3721	37214	0.035
1970	L6 4.8L		6IR5	3721	37214	0.035
1970	V8 5.0L		15IR6	3740	37404	0.032
1970	V8 5.7L		15IR6	3740	37404	0.032
1969	L6 4.1L		11IR4Y	3731	37314	0.035
1969	L6 4.8L		11IR6	3734	37344	0.032
1969	V8 5.0L		15IR6	3740	37404	0.032
1969	V8 5.7L		15IR6	3740	37404	0.032
1968	L6 4.1L		11IR4Y	3731	37314	0.035
1968	L6 4.8L		11IR6	3734	37344	0.032
1968	V8 5.0L		15IR5Y	3739	37394	0.035
1968	V8 5.4L		15IR6	3740	37404	0.032
1968	V8 6.5L		11IR5Y	3733	37334	0.035
<b>K25 Suburban</b>						
1978	L6 4.8L		6IR5	3721	37214	0.035
1978	V8 5.0L	Heavy Duty	6IR5	3721	37214	0.035
1978	V8 5.0L	Light Duty	6IR4Y	3720	37204	0.035
1978	V8 5.7L	California	6IR5Y	3722	37224	0.035
1978	V8 5.7L	Heavy Duty	6IR5	3721	37214	0.035
1978	V8 5.7L	Light Duty	6IR4Y	3720	37204	0.035
1978	V8 6.6L	Heavy Duty	6IR5	3721	37214	0.035
1978	V8 6.6L	Light Duty	6IR4Y	3720	37204	0.035
1977	L6 4.8L		6IR5	3721	37214	0.035
1977	V8 5.0L	Heavy Duty	6IR5	3721	37214	0.035
1977	V8 5.0L	Light Duty	6IR4Y	3720	37204	0.035
1977	V8 5.7L	California	6IR5Y	3722	37224	0.035
1977	V8 5.7L	Heavy Duty	6IR5	3721	37214	0.035
1977	V8 5.7L	Light Duty	6IR4Y	3720	37204	0.035
1977	V8 6.6L	California	6IR5Y	3722	37224	0.035
1977	V8 6.6L	Heavy Duty	6IR5	3721	37214	0.035
1977	V8 6.6L	Li ht Du	6IR4Y	3720	37204	0.035
1977	V8 7.4L	Heavy Duty	6IR5	3721	37214	0.035
1977	V8 7.4L	Light Duty	6IR4Y	3720	37204	0.035
1976	L6 4.8L		6IR5	3721	37214	0.035
1976	V8 5.7L	Vin L, Heavy Duty	6IR5	3721	37214	0.035
1976	V8 5.7L	Vin L, Light Duty	6IR4Y	3720	37204	0.035
1976	V8 5.7L	Vin V	6IR4Y	3720	37204	0.035
1976	V8 6.6L	Heavy Duty	6IR5	3721	37214	0.035
1976	V8 6.6L	Light Duty	6IR4Y	3720	37204	0.035
1976	V8 7.4L	Heavy Duty	6IR5	3721	37214	0.035
1976	V8 7.4L	Light Duty	6IR4Y	3720	37204	0.035
1975	L6 4.8L	HEI	6IR5Y	3722	37224	0.035
1975	L6 4.8L	W/O HEI	6IR5	3721	37214	0.035
1975	V8 5.7L	HEI	6IR5Y	3722	37224	0.035
1975	V8 5.7L	W/O HEI	6IR5	3721	37214	0.035
1975	V8 6.6L		6IR5	3721	37214	0.035
<b>K35</b>						
1978	L6 4.8L		6IR5	3721	37214	0.035
1978	V8 5.7L	California	6IR5Y	3722	37224	0.035
1978	V8 5.7L	Heavy Duty	6IR5	3721	37214	0.035
1978	V8 5.7L	Light Duty	6IR4Y	3720	37204	0.035
1978	V8 6.6L	Heavy Duty	6IR5	3721	37214	0.035
1978	V8 6.6L	Light Duty	6IR4Y	3720	37204	0.035
1977	L6 4.8L		6IR5	3721	37214	0.035
1977	V8 5.7L	California	6IR5Y	3722	37224	0.035
1977	V8 5.7L	Heavy Duty	6IR5	3721	37214	0.035

CPB's = Coil Plug Boots  
 \*\* Pre-gapped for optimal performance.

\* Short Style 6 Series - PN 3741 (single), PN 37414 (4pk) - Pre-gapped 0.035  
 \* Short Style 7 Series - PN 3742 (single), PN 37424 (4pk) - Pre-gapped 0.035





**GMC K35 continued**

Make Model Year	Engine Size	Notes:	Plug Type	MSD PN Single	MSD PN 4-Pack	Pre-Gap Setting**
1977	V8 5.7L	Light Duty	6IR4Y	3720	37204	0.035
1977	V8 6.6L	California	6IR5Y	3722	37224	0.035
1977	V8 6.6L	Heavy Duty	6IR5	3721	37214	0.035
1977	V8 6.6L	Light Duty	6IR4Y	3720	37204	0.035
<b>K35/K3500 Pickup</b>						
1974	L6 4.1L		6IR5	3721	37214	0.035
1974	L6 4.8L		6IR5	3721	37214	0.035
1974	V8 5.7L	GAS	6IR5	3721	37214	0.035
1974	V8 5.7L	LPG	6IR5	3721	37214	0.035
1974	V8 7.4L		6IR5	3721	37214	0.035
1973	L6 4.1L		6IR5	3721	37214	0.035
1973	L6 4.8L		6IR5	3721	37214	0.035
1973	V8 5.0L		6IR5	3721	37214	0.035
1973	V8 5.7L		6IR5	3721	37214	0.035
1973	V8 7.4L		6IR5	3721	37214	0.035
1972	L6 4.1L		6IR5	3721	37214	0.035
1972	L6 4.8L		6IR5	3721	37214	0.035
1972	V8 5.0L		6IR5	3721	37214	0.035
1972	V8 5.7L		6IR5	3721	37214	0.035
1971	L6 4.1L		6IR4Y	3720	37204	0.035
1971	L6 4.8L		6IR5	3721	37214	0.035
1971	V8 5.0L		6IR4Y	3720	37204	0.035
1971	V8 5.7L	215 HP	6IR5	3721	37214	0.035
1971	V8 5.7L	250 HP	6IR4Y	3720	37204	0.035
1971	V8 6.6L		6IR4Y	3720	37204	0.035
1970	L6 4.1L		6IR5	3721	37214	0.035
1970	L6 4.8L		6IR5	3721	37214	0.035
1970	V8 5.0L		15IR6	3740	37404	0.032
1970	V8 5.7L		15IR6	3740	37404	0.032
1970	V8 6.6L		6IR5	3721	37214	0.035
1969	L6 4.1L		11IR4Y	3731	37314	0.035
1969	L6 4.8L		11IR6	3734	37344	0.032
1969	V8 5.0L		15IR6	3740	37404	0.032
1969	V8 5.7L		15IR6	3740	37404	0.032
1969	V8 6.5L		11IR5Y	3733	37334	0.035
1968	L6 4.1L		11IR4Y	3731	37314	0.035
1968	L6 4.8L		11IR6	3734	37344	0.032
1968	V8 5.0L		15IR5Y	3739	37394	0.035
1968	V8 5.4L		15IR6	3740	37404	0.032
1968	V8 6.5L		11IR5Y	3733	37334	0.035
1967	V8 5.3L		15IR6	3740	37404	0.032
<b>K1500</b>						
1999	V8 5.0L		11R4Y	3711	37114	0.047
1999	V8 5.7L		11R4Y	3711	37114	0.047
1998-96	V6 4.3L		11R5L	3712	37124	0.047
1998-96	V8 5.0L		11R4Y	3711	37114	0.047
1998-96	V8 5.7L		11R4Y	3711	37114	0.047
1995-94	V6 4.3L		6IR5Y	3722	37224	0.035
1995-94	V8 5.0L		6IR5Y	3722	37224	0.035
1995-94	V8 5.7L		6IR5Y	3722	37224	0.035
1993-88	V6 4.3L		6IR5Y	3722	37224	0.035
1993-88	V8 5.0L		6IR5Y	3722	37224	0.035
1993-88	V8 5.7L		6IR5Y	3722	37224	0.035
1986	V6 4.3L		6IR5Y	3722	37224	0.035
1986	V8 5.0L		6IR4Y	3720	37204	0.035
1986	V8 5.7L	Vin L	6IR5Y	3722	37224	0.035
1985	V6 4.3L		6IR5Y	3722	37224	0.035
1985	V8 5.0L		6IR4Y	3720	37204	0.035
1985	V8 5.7L	Vin L	6IR5Y	3722	37224	0.035
1985	V8 5.7L	Vin M	6IR5	3721	37214	0.035
1984-81	L6 4.1L		6IR4Y	3720	37204	0.035
1984-81	V8 5.0L		6IR4Y	3720	37204	0.035
1984-81	V8 5.7L	Heavy Duty	6IR5	3721	37214	0.035
1984-81	V8 5.7L	Light Duty	6IR4Y	3720	37204	0.035
1980	L6 4.1L		6IR4Y	3720	37204	0.035
1980	L6 4.8L		6IR5	3721	37214	0.035
1980	V8 5.7L	Heavy Duty	6IR5	3721	37214	0.035
1980	V8 5.7L	Light Duty	6IR4Y	3720	37204	0.035
1980	V8 6.6L	Vin X, Heavy Duty	6IR5	3721	37214	0.035
1980	V8 6.6L	Vin X, Light Duty	6IR4Y	3720	37204	0.035
1980	V8 7.4L		6IR5	3721	37214	0.035

Make Model Year	Engine Size	Notes:	Plug Type	MSD PN Single	MSD PN 4-Pack	Pre-Gap Setting**
1979	L6 4.1L		6IR4Y	3720	37204	0.035
1979	L6 4.8L		6IR5	3721	37214	0.035
1979	V8 5.0L	Heavy Duty	6IR5	3721	37214	0.035
1979	V8 5.0L	Light Duty	6IR4Y	3720	37204	0.035
1979	V8 5.7L	Heavy Duty	6IR5	3721	37214	0.035
1979	V8 5.7L	Light Duty	6IR4Y	3720	37204	0.035
1979	V8 6.6L	Heavy Duty	6IR5	3721	37214	0.035
1979	V8 6.6L	Light Duty	6IR4Y	3720	37204	0.035
1979	V8 7.4L	Heavy Duty	6IR5	3721	37214	0.035
1979	V8 7.4L	Light Duty	6IR4Y	3720	37204	0.035
<b>K1500 Suburban</b>						
1999-96	V8 5.7L		11R4Y	3711	37114	0.047
1995-92	V8 5.7L		6IR5Y	3722	37224	0.035
1986	V8 5.7L		6IR5Y	3722	37224	0.035
1985	V8 5.0L		6IR5Y	3722	37224	0.035
1985	V8 5.7L		6IR5Y	3722	37224	0.035
1984	V8 5.0L		6IR5Y	3722	37224	0.035
1984	V8 5.7L	Heavy Duty	6IR5	3721	37214	0.035
1984	V8 5.7L	Light Duty	6IR4Y	3720	37204	0.035
1983-82	V8 5.0L		6IR4Y	3720	37204	0.035
1983-82	V8 5.7L	Heavy Duty	6IR5	3721	37214	0.035
1983-82	V8 5.7L	Light Duty	6IR4Y	3720	37204	0.035
1981	V8 5.7L	Heavy Duty	6IR5	3721	37214	0.035
1981	V8 5.7L	Light Duty	6IR4Y	3720	37204	0.035
1980	L6 4.1L		6IR4Y	3720	37204	0.035
1980	V8 5.7L	Heavy Duty	6IR5	3721	37214	0.035
1980	V8 5.7L	Light Duty	6IR4Y	3720	37204	0.035
1979	L6 4.1L		6IR4Y	3720	37204	0.035
1979	V8 5.0L	Heavy Duty	6IR5	3721	37214	0.035
1979	V8 5.0L	Light Duty	6IR4Y	3720	37204	0.035
1979	V8 5.7L	Heavy Duty	6IR5	3721	37214	0.035
1979	V8 5.7L	Light Duty	6IR4Y	3720	37204	0.035
1979	V8 6.6L	Heavy Duty	6IR5	3721	37214	0.035
1979	V8 6.6L	Light Duty	6IR4Y	3720	37204	0.035
<b>K2500</b>						
2000-99	V8 5.7L		11R4Y	3711	37114	0.047
2000-99	V8 7.4L		11R4Y	3711	37114	0.047
1998	V8 5.0L		11R4Y	3711	37114	0.047
1998	V8 5.7L		11R4Y	3711	37114	0.047
1998	V8 7.4L		11R4Y	3711	37114	0.047
1997-96	V8 5.7L		11R4Y	3711	37114	0.047
1997-96	V8 7.4L		11R4Y	3711	37114	0.047
1995-94	V6 4.3L		6IR5Y	3722	37224	0.035
1995-94	V8 5.0L		6IR5Y	3722	37224	0.035
1995-94	V8 5.7L		6IR5Y	3722	37224	0.035
1995-94	V8 7.4L		6IR5Y	3722	37224	0.035
1993-92	V6 4.3L		6IR5Y	3722	37224	0.035
1993-92	V8 5.0L		6IR5Y	3722	37224	0.035
1993-92	V8 5.7L	GAS	6IR5Y	3722	37224	0.035
1993-92	V8 7.4L		6IR5Y	3722	37224	0.035
1991	V6 4.3L		6IR5Y	3722	37224	0.035
1991	V8 5.0L		6IR5Y	3722	37224	0.035
1991	V8 5.7L		6IR5Y	3722	37224	0.035
1991	V8 7.4L		6IR5Y	3722	37224	0.035
1990-88	V6 4.3L		6IR5Y	3722	37224	0.035
1990-88	V8 5.0L		6IR5Y	3722	37224	0.035
1990-88	V8 5.7L		6IR5Y	3722	37224	0.035
1986	L6 4.8L		6IR5	3721	37214	0.035
1986	V8 5.7L	Vin L	6IR5Y	3722	37224	0.035
1986	V8 5.7L	Vin M	6IR5	3721	37214	0.035
1985	L6 4.8L		6IR4Y	3720	37204	0.035
1985	V6 4.3L		6IR5Y	3722	37224	0.035
1985	V8 5.7L	Vin L	6IR5Y	3722	37224	0.035
1985	V8 5.7L	Vin M	6IR5	3721	37214	0.035
1984-81	L6 4.8L		6IR5	3721	37214	0.035
1984-81	V8 5.7L	Heavy Duty	6IR5	3721	37214	0.035
1984-81	V8 5.7L	Light Duty	6IR4Y	3720	37204	0.035
1980	L6 4.1L		6IR4Y	3720	37204	0.035
1980	L6 4.8L		6IR5	3721	37214	0.035
1980	V8 5.7L	Heavy Duty	6IR5	3721	37214	0.035
1980	V8 5.7L	Light Duty	6IR4Y	3720	37204	0.035
1980	L6 4.8L		6IR5	3721	37214	0.035
1980	V8 5.7L	Heavy Duty	6IR5	3721	37214	0.035
1980	V8 5.7L	Light Duty	6IR4Y	3720	37204	0.035

\* Short Style 6 Series - PN 3741 (single), PN 37414 (4pk) - Pre-gapped 0.035  
 \* Short Style 7 Series - PN 3742 (single), PN 37424 (4pk) - Pre-gapped 0.035

CPB's = Coil Plug Boots  
 \*\* Pre-gapped for optimal performance.



Make Model Year	Engine Size	Notes:	Plug Type	MSD PN Single	MSD PN 4-Pack	Pre-Gap Setting**
1980	V8 6.6L	Heavy Duty	6IR5	3721	37214	0.035
1980	V8 6.6L	Light Duty	6IR4Y	3720	37204	0.035
1979	L6 4.8L		6IR5	3721	37214	0.035
1979	V8 5.7L	Heavy Duty	6IR5	3721	37214	0.035
1979	V8 5.7L	Light Duty	6IR4Y	3720	37204	0.035
1979	V8 6.6L	Heavy Duty	6IR5	3721	37214	0.035
1979	V8 6.6L	Light Duty	6IR4Y	3720	37204	0.035
<b>K2500 Suburban</b>						
1999-96	V8 5.7L		1IR4Y	3711	37114	0.047
1999-96	V8 7.4L		1IR4Y	3711	37114	0.047
1995-92	V8 5.7L		6IR5Y	3722	37224	0.035
1995-92	V8 7.4L		6IR5Y	3722	37224	0.035
1986-85	V8 5.7L		6IR5	3721	37214	0.035
1984	L6 4.8L		6IR5	3721	37214	0.035
1984	V8 5.7L	Heavy Duty	6IR5	3721	37214	0.035
1984	V8 5.7L	Light Duty	6IR4Y	3720	37204	0.035
1983	V8 5.7L	Heavy Duty	6IR5	3721	37214	0.035
1983	V8 5.7L	Light Duty	6IR4Y	3720	37204	0.035
1982-81	L6 4.8L		6IR5	3721	37214	0.035
1982-81	V8 5.7L	Heavy Duty	6IR5	3721	37214	0.035
1982-81	V8 5.7L	Light Duty	6IR4Y	3720	37204	0.035
1980-79	L6 4.8L		6IR5	3721	37214	0.035
1980-79	V8 5.7L	Heavy Duty	6IR5	3721	37214	0.035
1980-79	V8 5.7L	Light Duty	6IR4Y	3720	37204	0.035
1980-79	V8 6.6L	Heavy Duty	6IR5	3721	37214	0.035
1980-79	V8 6.6L	Light Duty	6IR4Y	3720	37204	0.035
<b>K3500</b>						
2000-96	V8 5.7L		1IR4Y	3711	37114	0.047
2000-96	V8 7.4L		1IR4Y	3711	37114	0.047
1995-88	V8 5.7L		6IR5Y	3722	37224	0.035
1995-88	V8 7.4L		6IR5Y	3722	37224	0.035
1986-85	L6 4.8L		6IR5	3721	37214	0.035
1986-85	V8 5.7L		6IR5	3721	37214	0.035
1986-85	V8 7.4L		6IR5	3721	37214	0.035
1984-81	L6 4.8L		6IR5	3721	37214	0.035
1984-81	V8 5.7L	Heavy Duty	6IR5	3721	37214	0.035
1984-81	V8 5.7L	Light Duty	6IR4Y	3720	37204	0.035
1984-81	V8 7.4L		6IR5	3721	37214	0.035
1980-79	L6 4.8L		6IR5	3721	37214	0.035
1980-79	V8 5.7L	Heavy Duty	6IR5	3721	37214	0.035
1980-79	V8 5.7L	Light Duty	6IR4Y	3720	37204	0.035
1980-79	V8 6.6L	Heavy Duty	6IR5	3721	37214	0.035
1980-79	V8 6.6L	Light Duty	6IR4Y	3720	37204	0.035
1980-79	V8 7.4L	Heavy Duty	6IR5	3721	37214	0.035
1980-79	V8 7.4L	Light Duty	6IR4Y	3720	37204	0.035
<b>P15</b>						
1978-76	L6 4.8L		6IR5	3721	37214	0.035
1975	L6 4.8L	California	6IR5Y	3722	37224	0.035
1975	L6 4.8L	Non-California	6IR5	3721	37214	0.035
<b>P15/P1500 Van</b>						
1974-72	L6 4.1L		6IR5	3721	37214	0.035
1971	L6 4.1L		6IR4Y	3720	37204	0.035
1970	L6 4.1L		6IR5	3721	37214	0.035
1969-68	L6 3.8L		11IR4Y	3731	37314	0.035
1969-68	L6 4.1L		11IR4Y	3731	37314	0.035
1967	L6 3.8L		11IR4Y	3731	37314	0.035
1967	L6 4.8L		11IR6	3734	37344	0.032
1967	V8 4.6L		15IR6	3740	37404	0.032
<b>P25</b>						
1978-77	L6 4.8L		6IR5	3721	37214	0.035
1978-77	V8 5.7L		6IR5Y	3722	37224	0.035
1976	L6 4.8L		6IR5	3721	37214	0.035
1976	V8 5.7L	Heavy Duty	6IR5Y	3722	37224	0.035
1976	V8 5.7L	Light Duty	6IR4Y	3720	37204	0.035
1975	L6 4.8L	California	6IR5Y	3722	37224	0.035
1975	L6 4.8L	Non-California	6IR5	3721	37214	0.035
1975	V8 5.7L		6IR5	3721	37214	0.035

Make Model Year	Engine Size	Notes:	Plug Type	MSD PN Single	MSD PN 4-Pack	Pre-Gap Setting**
<b>P25/P2500 Van</b>						
1974-72	L6 4.1L		6IR5	3721	37214	0.035
1974-72	L6 4.8L		6IR5	3721	37214	0.035
1974-72	V8 5.7L		6IR5	3721	37214	0.035
1971	L6 4.8L		6IR5	3721	37214	0.035
1971	V8 5.7L	215 HP	6IR5	3721	37214	0.035
1971	V8 5.7L	250 HP	6IR4Y	3720	37204	0.035
1971	V8 7.4L		6IR4Y	3720	37204	0.035
1970	L6 4.1L		6IR5	3721	37214	0.035
1970	L6 4.8L		6IR5	3721	37214	0.035
1970	V8 5.7L		15IR6	3740	37404	0.032
1970	V8 7.4L		6IR4Y	3720	37204	0.035
1969	L6 4.8L		11IR6	3734	37344	0.032
1969	V8 5.0L		15IR6	3740	37404	0.032
1968	L6 4.8L		11IR6	3734	37344	0.032
1968	V8 5.0L		15IR5Y	3739	37394	0.035
1967	L6 4.1L		11IR4Y	3731	37314	0.035
1967	L6 4.8L		11IR6	3734	37344	0.032
1967	V8 4.6L		15IR6	3740	37404	0.032
1966	L6 4.1L		11IR4Y	3731	37314	0.035
<b>P35</b>						
1978	L6 4.8L		6IR5	3721	37214	0.035
1978	V8 5.7L		6IR5Y	3722	37224	0.035
1978	V8 7.4L	Vin S, Heavy Duty	6IR5	3721	37214	0.035
1978	V8 7.4L	Vin S, Light Duty	6IR4Y	3720	37204	0.035
1977	L6 4.8L		6IR5	3721	37214	0.035
1977	V8 5.7L		6IR5Y	3722	37224	0.035
1977	V8 7.4L		6IR5	3721	37214	0.035
1976	L6 4.8L		6IR5	3721	37214	0.035
1976	V8 5.7L	Heavy Duty	6IR5Y	3722	37224	0.035
1976	V8 5.7L	Light Duty	6IR4Y	3720	37204	0.035
1976	V8 7.4L		6IR5	3721	37214	0.035
1975	L6 4.8L	California	6IR5Y	3722	37224	0.035
1975	L6 4.8L	Non-California	6IR5	3721	37214	0.035
1975	V8 5.7L		6IR5	3721	37214	0.035
1975	V8 7.4L		6IR5	3721	37214	0.035
<b>P35/P3500 Van</b>						
1974-73	L6 4.1L		6IR5	3721	37214	0.035
1974-73	L6 4.8L		6IR5	3721	37214	0.035
1974-73	V8 5.7L		6IR5	3721	37214	0.035
1974-73	V8 7.4L		6IR5	3721	37214	0.035
1972	L6 4.1L		6IR5	3721	37214	0.035
1972	L6 4.8L		6IR5	3721	37214	0.035
1972	V8 5.7L		6IR5	3721	37214	0.035
1971	L6 4.1L		6IR4Y	3720	37204	0.035
1971	L6 4.8L		6IR5	3721	37214	0.035
1971	V8 5.7L	215 HP	6IR5	3721	37214	0.035
1971	V8 5.7L	250 HP	6IR4Y	3720	37204	0.035
1971	V8 7.4L		6IR4Y	3720	37204	0.035
1970	L6 4.1L		6IR5	3721	37214	0.035
1970	L6 4.8L		6IR5	3721	37214	0.035
1970	V8 5.7L		15IR6	3740	37404	0.032
1970	V8 7.4L		6IR4Y	3720	37204	0.035
1969	L6 4.8L		11IR6	3734	37344	0.032
1969	V8 5.0L		15IR6	3740	37404	0.032
1968	L6 4.8L		11IR6	3734	37344	0.032
1968	V8 5.0L		15IR5Y	3739	37394	0.035
1967	L6 4.1L		11IR4Y	3731	37314	0.035
1967	L6 4.8L		11IR6	3734	37344	0.032
1967	V8 4.6L		15IR6	3740	37404	0.032
1966	L6 4.1L		11IR4Y	3731	37314	0.035
<b>P1500</b>						
1980	L6 4.8L		6IR5	3721	37214	0.035
1979	L6 4.8L		6IR5	3721	37214	0.035
1979	V8 7.4L	Heavy Duty	6IR5	3721	37214	0.035
1979	V8 7.4L	Light Duty	6IR4Y	3720	37204	0.035

CPB's = Coil Plug Boots  
 \*\* Pre-gapped for optimal performance.

\* Short Style 6 Series - PN 3741 (single), PN 37414 (4pk) - Pre-gapped 0.035  
 \* Short Style 7 Series - PN 3742 (single), PN 37424 (4pk) - Pre-gapped 0.035



**GMC P2500**

Make Model Year	Engine Size	Notes:	Plug Type	MSD PN Single	MSD PN 4-Pack	Pre-Gap Setting**
<b>P2500</b>						
1989	L6 4.8L		6IR5	3721	37214	0.035
1989	V8 5.7L		6IR5Y	3722	37224	0.035
1988	V8 5.7L		6IR5Y	3722	37224	0.035
1987-85	L6 4.8L		6IR5	3721	37214	0.035
1987-85	V8 5.7L		6IR5	3721	37214	0.035
1984-79	L6 4.8L		6IR5	3721	37214	0.035
1984-79	V8 5.7L	Heavy Duty	6IR5	3721	37214	0.035
1984-79	V8 5.7L	Light Duty	6IR4Y	3720	37204	0.035
<b>P3500</b>						
1999-98	V6 4.3L		11R5L	3712	37124	0.047
1999-98	V8 5.7L		11R4Y	3711	37114	0.047
1999-98	V8 7.4L	Vin B	11R4Y	3711	37114	0.047
1999-98	V8 7.4L	Vin J	11R4Y	3711	37114	0.047
1997	V6 4.3L		11R5L	3712	37124	0.047
1997	V8 5.7L		11R4Y	3711	37114	0.047
1997	V8 7.4L	Vin J	6IR5Y	3722	37224	0.035
1997	V8 7.4L	Vin N	11R4Y	3711	37114	0.047
1996	V6 4.3L		11R5L	3712	37124	0.047
1996	V8 5.7L	Vin K	6IR5Y	3722	37224	0.035
1996	V8 5.7L	Vin R	11R4Y	3711	37114	0.047
1996	V8 7.4L	Vin J	11R4Y	3711	37114	0.047
1996	V8 7.4L	Vin N	6IR5Y	3722	37224	0.035
1995-94	V6 4.3L		6IR5Y	3722	37224	0.035
1995-94	V8 5.7L		6IR5Y	3722	37224	0.035
1995-94	V8 7.4L		6IR5Y	3722	37224	0.035
1993-90	V6 4.3L		6IR5Y	3722	37224	0.035
1993-90	V8 5.7L		6IR5Y	3722	37224	0.035
1993-90	V8 7.4L		6IR5Y	3722	37224	0.035
1989	L6 4.8L		6IR5	3721	37214	0.035
1989	V8 5.7L		6IR5Y	3722	37224	0.035
1989	V8 7.4L		6IR5	3721	37214	0.035
1988-87	L6 4.8L		6IR5	3721	37214	0.035
1988-87	V8 5.7L	CARB	6IR5	3721	37214	0.035
1988-87	V8 5.7L	FI	6IR5Y	3722	37224	0.035
1988-87	V8 7.4L		6IR5	3721	37214	0.035
1986-85	L6 4.8L		6IR5	3721	37214	0.035
1986-85	V8 5.7L		6IR5	3721	37214	0.035
1986-85	V8 7.4L		6IR5	3721	37214	0.035
1984-81	L6 4.8L		6IR5	3721	37214	0.035
1984-81	V8 5.7L	Heavy Duty	6IR5	3721	37214	0.035
1984-81	V8 5.7L	Light Duty	6IR4Y	3720	37204	0.035
1984-81	V8 7.4L		6IR5	3721	37214	0.035
1980-79	L6 4.8L		6IR5	3721	37214	0.035
1980-79	V8 5.7L	Heavy Duty	6IR5	3721	37214	0.035
1980-79	V8 5.7L	Light Duty	6IR4Y	3720	37204	0.035
1980-79	V8 7.4L	Heavy Duty	6IR5	3721	37214	0.035
1980-79	V8 7.4L	Light Duty	6IR4Y	3720	37204	0.035
<b>PB15 Series</b>						
1966	L6 3.2L		11R4Y	3731	37314	0.035
1966	L6 3.8L		11R4Y	3731	37314	0.035
1966	L6 4.1L		11R4Y	3731	37314	0.035
1966	L6 4.8L		11R6	3734	37344	0.032
<b>PB25 Series</b>						
1966	L6 3.8L		11R4Y	3731	37314	0.035
1966	L6 4.1L		11R4Y	3731	37314	0.035
1966	L6 4.8L		11R6	3734	37344	0.032
<b>PB1000 Series</b>						
1965-64	L4 2.5L		11R4Y	3731	37314	0.035
1963	L4 2.5L		11R4Y	3731	37314	0.035
1963	L6 3.8L		11R4Y	3731	37314	0.035
<b>PB2500 Series</b>						
1963	L6 3.8L		11R4Y	3731	37314	0.035
<b>R1500</b>						
1987	V6 4.3L		6IR5Y	3722	37224	0.035
1987	V8 5.0L		6IR5Y	3722	37224	0.035
1987	V8 5.7L		6IR5Y	3722	37224	0.035

Make Model Year	Engine Size	Notes:	Plug Type	MSD PN Single	MSD PN 4-Pack	Pre-Gap Setting**
<b>R1500 Suburban</b>						
1991-88	V8 5.7L		6IR5Y	3722	37224	0.035
1987	V8 5.0L		6IR5Y	3722	37224	0.035
1987	V8 5.7L		6IR5Y	3722	37224	0.035
<b>R2500</b>						
1989	V8 5.7L		6IR5Y	3722	37224	0.035
1989	V8 7.4L		6IR5Y	3722	37224	0.035
1988	L6 4.8L		6IR5	3721	37214	0.035
1988	V8 5.7L		6IR5Y	3722	37224	0.035
1988	V8 7.4L		6IR5Y	3722	37224	0.035
1987	L6 4.8L		6IR5	3721	37214	0.035
1987	V6 4.3L		6IR5Y	3722	37224	0.035
1987	V8 5.0L		6IR5Y	3722	37224	0.035
1987	V8 5.7L		6IR5Y	3722	37224	0.035
1987	V8 7.4L		6IR5Y	3722	37224	0.035
<b>R2500 Suburban</b>						
1991-87	V8 5.7L		6IR5Y	3722	37224	0.035
1991-87	V8 7.4L		6IR5Y	3722	37224	0.035
<b>R3500</b>						
1991-90	V8 5.7L		6IR5Y	3722	37224	0.035
1991-90	V8 7.4L		6IR5Y	3722	37224	0.035
1989	V8 5.7L		6IR5Y	3722	37224	0.035
1989	V8 7.4L	CARB	6IR5	3721	37214	0.035
1989	V8 7.4L	FI	6IR5Y	3722	37224	0.035
1988	L6 4.8L		6IR5	3721	37214	0.035
1988	V8 5.7L	CARB	6IR5	3721	37214	0.035
1988	V8 5.7L	FI	6IR5Y	3722	37224	0.035
1988	V8 7.4L	CARB	6IR5	3721	37214	0.035
1988	V8 7.4L	FI	6IR5Y	3722	37224	0.035
1987	L6 4.8L		6IR5	3721	37214	0.035
1987	V8 5.7L	CARB	6IR5	3721	37214	0.035
1987	V8 5.7L	FI	6IR5Y	3722	37224	0.035
1987	V8 7.4L	CARB	6IR5	3721	37214	0.035
1987	V8 7.4L	FI	6IR5Y	3722	37224	0.035
<b>S15</b>						
1990-88	L4 2.5L		6IR5Y	3722	37224	0.035
1990-88	V6 2.8L		6IR5Y	3722	37224	0.035
1990-88	V6 4.3L		6IR5Y	3722	37224	0.035
1987-86	L4 2.5L		6IR5Y	3722	37224	0.035
1987-86	V6 2.8L		6IR5Y	3722	37224	0.035
1985	L4 1.9L		11IR5Y	3733	37334	0.035
1985	L4 2.5L		6IR5Y	3722	37224	0.035
1985	V6 2.8L		6IR5Y	3722	37224	0.035
1984-83	L4 1.9L		11IR5Y	3733	37334	0.035
1984-83	L4 2.0L		6IR5Y	3722	37224	0.035
1984-83	V6 2.8L		6IR5Y	3722	37224	0.035
1982	L4 1.9L		11IR5Y	3733	37334	0.035
1982	V6 2.8L		6IR5Y	3722	37224	0.035
<b>S15 Jimmy</b>						
1991-90	V6 4.3L		6IR5Y	3722	37224	0.035
1989	V6 2.8L		6IR5Y	3722	37224	0.035
1989	V6 4.3L		6IR5Y	3722	37224	0.035
1988	L4 2.5L		6IR5Y	3722	37224	0.035
1988	V6 2.8L		6IR5Y	3722	37224	0.035
1988	V6 4.3L		6IR5Y	3722	37224	0.035
1987-85	L4 2.5L		6IR5Y	3722	37224	0.035
1987-85	V6 2.8L		6IR5Y	3722	37224	0.035
1984-83	L4 1.9L		11IR5Y	3733	37334	0.035
1984-83	L4 2.0L		6IR5Y	3722	37224	0.035
1984-83	V6 2.8L		6IR5Y	3722	37224	0.035
<b>Safari</b>						
2005-96	V6 4.3L		11R4Y	3711	37114	0.047
1995-94	V6 4.3L		6IR5Y	3722	37224	0.035
1993-91	V6 4.3L		6IR5Y	3722	37224	0.035
1990-85	L4 2.5L		6IR5Y	3722	37224	0.035
1990-85	V6 4.3L		6IR5Y	3722	37224	0.035

\* Short Style 6 Series - PN 3741 (single), PN 37414 (4pk) - Pre-gapped 0.035  
 \* Short Style 7 Series - PN 3742 (single), PN 37424 (4pk) - Pre-gapped 0.035

CPB's = Coil Plug Boots  
 \*\* Pre-gapped for optimal performance.





Make Model Year	Engine Size	Notes:	Plug Type	MSD PN Single	MSD PN 4-Pack	Pre-Gap Setting**
<b>Savana 1500</b>						
2013	V6 4.3L		1R4Y	3711	37114	0.047
2013	V8 5.3L		1R5L	3712	37124	0.047
2012	V6 4.3L		1R4Y	3711	37114	0.047
2012	V8 5.3L		1R5L	3712	37124	0.047
2011	V6 4.3L		N/A	N/A	N/A	
2011	V8 5.3L		1R5L	3712	37124	0.047
2010	V6 4.3L		1R4Y	3711	37114	0.047
2010	V8 5.3L		1R5L	3712	37124	0.047
2009-08	V6 4.3L		1R4Y	3711	37114	0.047
2009-08	V8 5.3L		1R5L	3712	37124	0.047
2007-04	V6 4.3L		1R4Y	3711	37114	0.047
2007-04	V8 5.3L		1R5Y	3713	37134	0.043
2003	V6 4.3L		1R5L	3712	37124	0.047
2003	V8 5.3L		1R5Y	3713	37134	0.043
2002-96	V6 4.3L		1R5L	3712	37124	0.047
2002-96	V8 5.0L		1R4Y	3711	37114	0.047
2002-96	V8 5.7L		1R4Y	3711	37114	0.047
<b>Savana 2500</b>						
2013	V8 4.8L		1R5Y	3713	37134	0.043
2013	V8 6.0L		1R5L	3712	37124	0.047
2012	V8 4.8L		1R5Y	3713	37134	0.043
2012	V8 6.0L		1R5L	3712	37124	0.047
2011-08	V8 4.8L		1R5L	3712	37124	0.047
2011-08	V8 6.0L		1R5L	3712	37124	0.047
2007-06	V8 4.8L		1R5Y	3713	37134	0.043
2007-06	V8 6.0L		1R5Y	3713	37134	0.043
2005-04	V6 4.3L		1R4Y	3711	37114	0.047
2005-04	V8 4.8L		1R5Y	3713	37134	0.043
2005-04	V8 5.3L		1R5Y	3713	37134	0.043
2005-04	V8 6.0L		1R5Y	3713	37134	0.043
2003	V6 4.3L		1R5L	3712	37124	0.047
2003	V8 4.8L		1R5Y	3713	37134	0.043
2003	V8 5.3L		1R5Y	3713	37134	0.043
2003	V8 6.0L		1R5Y	3713	37134	0.043
2002-96	V6 4.3L		1R5L	3712	37124	0.047
2002-96	V8 5.0L		1R4Y	3711	37114	0.047
2002-96	V8 5.7L		1R4Y	3711	37114	0.047
<b>Savana 3500</b>						
2013	V8 4.8L		1R5Y	3713	37134	0.043
2013	V8 6.0L		1R5L	3712	37124	0.047
2012	V8 4.8L		1R5Y	3713	37134	0.043
2012	V8 6.0L		1R5L	3712	37124	0.047
2011-08	V8 4.8L		1R5L	3712	37124	0.047
2011-08	V8 6.0L		1R5L	3712	37124	0.047
2007	V8 4.8L		1R5Y	3713	37134	0.043
2007	V8 6.0L		1R5L	3712	37124	0.047
2006-04	V8 4.8L		1R5Y	3713	37134	0.043
2006-04	V8 6.0L		1R5Y	3713	37134	0.043
2003	V8 6.0L		1R5Y	3713	37134	0.043
2002-01	V8 5.7L		1R4Y	3711	37114	0.047
2002-01	V8 8.1L		1R5L	3712	37124	0.047
2000-96	V8 5.7L		1R4Y	3711	37114	0.047
2000-96	V8 7.4L		1R4Y	3711	37114	0.047
<b>Sierra 1500</b>						
2013	V8 6.2L VIN - L9H		1R5Y	3713	37134	0.043
2013	V6 4.3L VIN - LU3		1R5L	3712	37124	0.047
2013	V8 4.8L VIN - L20		1R5Y	3713	37134	0.043
2013	V8 5.3L VIN - LMG		1R5L	3712	37124	0.047
2013	V8 5.3L VIN - LC9		1R5L	3712	37124	0.047
2013	V8 6.0L VIN - LZ1		1R5Y	3713	37134	0.043
2012	V8 6.2L VIN - L9H		1R5Y	3713	37134	0.043
2012	V6 4.3L		1R5L	3712	37124	0.047
2012	V8 4.8L VIN - L20		1R5Y	3713	37134	0.043
2012	V8 5.3L VIN - LMG		1R5L	3712	37124	0.047
2012	V8 5.3L VIN - LC9		1R5L	3712	37124	0.047
2012	V8 6.0L VIN - LZ1		1R5Y	3713	37134	0.043
2011-10	V6 4.3L		N/A	N/A	N/A	
2011-10	V8 4.8L		1R5L	3712	37124	0.047
2011-10	V8 5.3L		1R5L	3712	37124	0.047

CPB's = Coil Plug Boots  
 \*\* Pre-gapped for optimal performance.

Make Model Year	Engine Size	Notes:	Plug Type	MSD PN Single	MSD PN 4-Pack	Pre-Gap Setting**
2011-10	V8 6.0L		1R5L	3712	37124	0.047
2011-10	V8 6.2L		1R5L	3712	37124	0.047
2009	V6 4.3L		1R4Y	3711	37114	0.047
2009	V8 4.8L		1R5L	3712	37124	0.047
2009	V8 5.3L		1R5L	3712	37124	0.047
2009	V8 6.0L		1R5L	3712	37124	0.047
2009	V8 6.2L		1R5L	3712	37124	0.047
2008	V6 4.3L		1R4Y	3711	37114	0.047
2008	V8 4.8L		1R5L	3712	37124	0.047
2008	V8 5.3L		1R5L	3712	37124	0.047
2008	V8 6.0L		1R5L	3712	37124	0.047
2007	V6 4.3L		1R4Y	3711	37114	0.047
2007	V8 4.8L		1R5L	3712	37124	0.047
2007	V8 5.3L		1R5L	3712	37124	0.047
2007	V8 6.0L		1R5Y	3713	37134	0.043
2006	V6 4.3L		1R4Y	3711	37114	0.047
2006	V8 4.8L		1R5Y	3713	37134	0.043
2006	V8 5.3L		1R5Y	3713	37134	0.043
2006	V8 6.0L		1R5Y	3713	37134	0.043
2005	V6 4.3L		1R4Y	3711	37114	0.047
2005	V8 4.8L		1R5Y	3713	37134	0.043
2005	V8 5.3L		1R5Y	3713	37134	0.043
2005	V8 6.0L		1R5L	3712	37124	0.047
2004	V6 4.3L		1R4Y	3711	37114	0.047
2004	V8 4.8L		1R5Y	3713	37134	0.043
2004	V8 5.3L		1R5Y	3713	37134	0.043
2003-99	V6 4.3L		1R5L	3712	37124	0.047
2003-99	V8 4.8L		1R5Y	3713	37134	0.043
2003-99	V8 5.3L		1R5Y	3713	37134	0.043
<b>Sierra 1500 HD</b>						
2007-05	V8 6.0L		1R5Y	3713	37134	0.043
2003-01	V8 6.0L		1R5Y	3713	37134	0.043
<b>Sierra 2500</b>						
2004-01	V8 6.0L		1R5Y	3713	37134	0.043
2000-99	V8 5.3L		1R5Y	3713	37134	0.043
2000-99	V8 6.0L		1R5Y	3713	37134	0.043
<b>Sierra 2500 HD</b>						
2013	V8 6.0L L96		1R5L	3712	37124	0.047
2012	V8 6.0L L96		1R5Y	3713	37134	0.043
2011-08	V8 6.0L		1R5Y	3713	37134	0.043
2007-01	V8 6.0L		1R5Y	3713	37134	0.043
2007-01	V8 8.1L		1R5L	3712	37124	0.047
<b>Sierra 3500</b>						
2007-03	V8 6.0L		1R5Y	3713	37134	0.043
2007-03	V8 8.1L		1R5L	3712	37124	0.047
2002-01	V8 6.0L		1R5Y	3713	37134	0.043
2002-01	V8 8.1L		1R5L	3712	37124	0.047
<b>Sierra 3500 HD</b>						
2013	V8 6.0L L96		1R5L	3712	37124	0.047
2012	V8 6.0L L96		1R5Y	3713	37134	0.043
2011-08	V8 6.0L		1R5Y	3713	37134	0.043
2007	V8 6.0L		1R5Y	3713	37134	0.043
<b>Sierra C3</b>						
2001	V8 6.0L		1R5Y	3713	37134	0.043
<b>Sierra Denali</b>						
2010-08	V8 6.2L		1R5L	3712	37124	0.047
2007	V8 6.0L		1R5Y	3713	37134	0.043
2007	V8 6.2L		1R5L	3712	37124	0.047
2006	V8 6.0L		1R5Y	3713	37134	0.043
2005	V8 6.0L		1R5L	3712	37124	0.047
2004-02	V8 6.0L		1R5Y	3713	37134	0.043
<b>Sonoma</b>						
2004	V6 4.3L		1R4Y	3711	37114	0.047
2003-98	L4 2.2L		1R5Y	3713	37134	0.043
2003-98	V6 4.3L		1R5L	3712	37124	0.047
1997-96	L4 2.2L		1R5Y	3713	37134	0.043
1997-96	V6 4.3L		1R5L	3712	37124	0.047
1995-94	L4 2.2L		1R5Y	3713	37134	0.043

\* Short Style 6 Series - PN 3741 (single), PN 37414 (4pk) - Pre-gapped 0.035  
 \* Short Style 7 Series - PN 3742 (single), PN 37424 (4pk) - Pre-gapped 0.035



**GMC Sonoma continued**

Make Model Year	Engine Size	Notes:	Plug Type	MSD PN Single	MSD PN 4-Pack	Pre-Gap Setting**
1995-94	V6 4.3L		6IR5Y	3722	37224	0.035
1993-91	L4 2.5L		6IR5Y	3722	37224	0.035
1993-91	V6 2.8L		6IR5Y	3722	37224	0.035
1993-91	V6 4.3L		6IR5Y	3722	37224	0.035
<b>Sprint</b>						
1977	L6 4.1L		6IR4Y	3720	37204	0.035
1977	V8 5.0L	Heavy Duty	6IR5	3721	37214	0.035
1977	V8 5.0L	Light Duty	6IR4Y	3720	37204	0.035
1977	V8 5.7L	California	6IR5Y	3722	37224	0.035
1977	V8 5.7L	Heavy Duty	6IR5	3721	37214	0.035
1977	V8 5.7L	Light Duty	6IR4Y	3720	37204	0.035
1976	L6 4.1L		6IR4Y	3720	37204	0.035
1976	V8 5.0L	Heavy Duty	6IR5	3721	37214	0.035
1976	V8 5.0L	Light Duty	6IR4Y	3720	37204	0.035
1976	V8 5.7L	Vin L, California	6IR5Y	3722	37224	0.035
1976	V8 5.7L	Vin L, Heavy Duty	6IR5	3721	37214	0.035
1976	V8 5.7L	Vin L, Light Duty	6IR4Y	3720	37204	0.035
1976	V8 5.7L	Vin V	6IR4Y	3720	37204	0.035
1976	V8 6.6L	Heavy Duty	6IR5	3721	37214	0.035
1976	V8 6.6L	Light Duty	6IR4Y	3720	37204	0.035
1975	L6 4.1L		6IR4Y	3720	37204	0.035
1975	V8 5.7L	Vin H	6IR5	3721	37214	0.035
1975	V8 5.7L	Vin L	6IR5Y	3722	37224	0.035
1975	V8 6.6L	Vin U	6IR5Y	3722	37224	0.035
1975	V8 7.4L		6IR5Y	3722	37224	0.035
1974	V8 5.7L		6IR5	3721	37214	0.035
1974	V8 6.6L		6IR5	3721	37214	0.035
1974	V8 7.4L		6IR5	3721	37214	0.035
1973	V8 5.0L		6IR5	3721	37214	0.035
1973	V8 5.7L		6IR5	3721	37214	0.035
1973	V8 7.4L		6IR5	3721	37214	0.035
1972	L6 4.1L		6IR5	3721	37214	0.035
1972	V8 5.0L		6IR5	3721	37214	0.035
1972	V8 5.7L		6IR5	3721	37214	0.035
1972	V8 6.6L		6IR5	3721	37214	0.035
1972	V8 7.4L		6IR5	3721	37214	0.035
1971	L6 4.1L		6IR4Y	3720	37204	0.035
1971	V8 5.0L		6IR4Y	3720	37204	0.035
1971	V8 5.7L		6IR4Y	3720	37204	0.035
1971	V8 6.6L		6IR4Y	3720	37204	0.035
1971	V8 7.4L		6IR5Y	3722	37224	0.035
<b>Suburban</b>						
1967	L6 3.8L		11IR4Y	3731	37314	0.035
1967	L6 4.1L		11IR4Y	3731	37314	0.035
1967	L6 4.8L		11IR6	3734	37344	0.032
1967	V8 5.3L		15IR6	3740	37404	0.032
1966	L6 3.8L		11IR4Y	3731	37314	0.035
1966	L6 4.1L		11IR4Y	3731	37314	0.035
1966	L6 4.8L		11IR6	3734	37344	0.032
1965-64	L6 3.8L		11IR4Y	3731	37314	0.035
1963	L4 2.5L		11IR4Y	3731	37314	0.035
1963	L6 3.8L		11IR4Y	3731	37314	0.035
<b>Syclone</b>						
1991	V6 4.3L		6IR5Y	3722	37224	0.035
<b>Terrain</b>						
2011	L4 2.4L		5IR5Y	3719	37194	0.040
2011	V6 3.0L		5IR6Y	3743	37434	0.032
2010	L4 2.4L		5IR5Y	3719	37194	0.040
2010	V6 3.0L		5IR6Y	3743	37434	0.032
<b>Tracker</b>						
1991-89	L4 1.6L		N/A	N/A	N/A	
<b>Typhoon</b>						
1993-92	V6 4.3L		6IR5Y	3722	37224	0.035
<b>V1500</b>						
1987	V6 4.3L		6IR5Y	3722	37224	0.035
1987	V8 5.0L		6IR5Y	3722	37224	0.035
1987	V8 5.7L		6IR5Y	3722	37224	0.035
<b>V1500 Suburban</b>						
1991-87	V8 5.7L		6IR5Y	3722	37224	0.035

Make Model Year	Engine Size	Notes:	Plug Type	MSD PN Single	MSD PN 4-Pack	Pre-Gap Setting**
<b>V2500</b>						
1987	L6 4.8L		6IR5	3721	37214	0.035
1987	V8 5.7L		6IR5Y	3722	37224	0.035
<b>V2500 Suburban</b>						
1991-87	V8 5.7L		6IR5Y	3722	37224	0.035
<b>V3500</b>						
1991-90	V8 5.7L		6IR5Y	3722	37224	0.035
1991-90	V8 7.4L		6IR5Y	3722	37224	0.035
1989	V8 5.7L		6IR5Y	3722	37224	0.035
1989	V8 7.4L	CARB	6IR5	3721	37214	0.035
1989	V8 7.4L	FI	6IR5Y	3722	37224	0.035
1988	L6 4.8L		6IR5	3721	37214	0.035
1988	V8 5.7L	CARB	6IR5	3721	37214	0.035
1988	V8 5.7L	FI	6IR5Y	3722	37224	0.035
1988	V8 7.4L	CARB	6IR5	3721	37214	0.035
1988	V8 7.4L	FI	6IR5Y	3722	37224	0.035
1987	L6 4.8L		6IR5	3721	37214	0.035
1987	V8 5.7L	CARB	6IR5	3721	37214	0.035
1987	V8 5.7L	FI	6IR5Y	3722	37224	0.035
1987	V8 7.4L	CARB	6IR5	3721	37214	0.035
1987	V8 7.4L	FI	6IR5Y	3722	37224	0.035
<b>Yukon</b>						
2013	V8 6.0L	LZ1	1IR5L	3712	37124	0.047
2013	V8 5.3L		1IR5L	3712	37124	0.047
2012	V8 6.0L	LZ1	1IR5L	3712	37124	0.047
2012	V8 5.3L		1IR5L	3712	37124	0.047
2011-10	V8 5.3L		1IR5L	3712	37124	0.047
2011-10	V8 6.0L		1IR5L	3712	37124	0.047
2011-10	V8 6.2L		1IR5L	3712	37124	0.047
2009-08	V8 4.8L		1IR5L	3712	37124	0.047
2009-08	V8 5.3L		1IR5L	3712	37124	0.047
2009-08	V8 6.0L		1IR5L	3712	37124	0.047
2009-08	V8 6.2L		1IR5L	3712	37124	0.047
2007	V8 4.8L		1IR5L	3712	37124	0.047
2007	V8 5.3L		1IR5Y	3713	37134	0.043
2007	V8 6.2L		1IR5L	3712	37124	0.047
2006	V8 4.8L		1IR5Y	3713	37134	0.043
2006	V8 5.3L		1IR5Y	3713	37134	0.043
1999-96	V8 5.7L		1IR4Y	3711	37114	0.047
1995-92	V8 5.7L		6IR5Y	3722	37224	0.035
<b>Yukon Denali</b>						
2006	V8 6.0L		1IR5Y	3713	37134	0.043
2005	V8 6.0L		1IR5L	3712	37124	0.047
2004-01	V8 6.0L		1IR5Y	3713	37134	0.043
2000	V8 5.7L		1IR4Y	3711	37114	0.047
<b>Yukon Denali XL</b>						
2006	V8 6.0L		1IR5Y	3713	37134	0.043
2005	V8 6.0L		1IR5L	3712	37124	0.047
<b>Yukon XL 1500</b>						
2013	V8 6.2L	L9H	1IR5L	3712	37124	0.047
2013	V8 5.3L	LC9 LMG	1IR5L	3712	37124	0.047
2012	V8 6.2L	L9H	1IR5L	3712	37124	0.047
2012	V8 5.3L	LC9 LMG	1IR5L	3712	37124	0.047
2011-10	V8 5.3L		1IR5L	3712	37124	0.047
2011-10	V8 6.2L		1IR5L	3712	37124	0.047
2009-08	V8 5.3L		1IR5L	3712	37124	0.047
2009-08	V8 6.0L		1IR5L	3712	37124	0.047
2009-08	V8 6.2L		1IR5L	3712	37124	0.047
2007	V8 5.3L		1IR5L	3712	37124	0.047
2007	V8 6.0L		1IR5L	3712	37124	0.047
2007	V8 6.2L		1IR5L	3712	37124	0.047
2006	V8 5.3L		1IR5Y	3713	37134	0.043
<b>Yukon XL 2500</b>						
2013	V8 6.0L	L96	1IR5L	3712	37124	0.047
2012	V8 6.0L	L96	1IR5L	3712	37124	0.047
2011-08	V8 6.0L		1IR5Y	3713	37134	0.043
2007	V8 6.0L		1IR5L	3712	37124	0.047
2006	V8 6.0L		1IR5Y	3713	37134	0.043
2006	V8 8.1L		1IR5L	3712	37124	0.047

**100** \* Short Style 6 Series - PN 3741 (single), PN 37414 (4pk) - Pre-gapped 0.035  
 \* Short Style 7 Series - PN 3742 (single), PN 37424 (4pk) - Pre-gapped 0.035

CPB's = Coil Plug Boots  
 \*\* Pre-gapped for optimal performance.



Make Model Year	Engine Size	Notes:	Plug Type	MSD PN Single	MSD PN 4-Pack	Pre-Gap Setting**
2005	V8 6.0L		1IR5L	3712	37124	0.047
2005	V8 8.1L		1IR5L	3712	37124	0.047
2004-01	V8 6.0L		1IR5Y	3713	37134	0.043
2004-01	V8 8.1L		1IR5L	3712	37124	0.047
2000	V8 6.0L		1IR5Y	3713	37134	0.043
<b>Honda</b>						
<b>600</b>						
1972-69	L2 0.6L		N/A	N/A	N/A	
<b>Accord</b>						
2011-08	L4 2.4L	w/o PZEV	N/A	N/A	N/A	
2011-08	V6 3.5L		N/A	N/A	N/A	
2007-03	L4 2.4L		N/A	N/A	N/A	
2007-03	V6 3.0L		N/A	N/A	N/A	
2002	L4 2.3L		N/A	N/A	N/A	
2002	V6 3.0L		N/A	N/A	N/A	
1999-98	L4 2.3L		N/A	N/A	N/A	
1999-98	V6 3.0L		N/A	N/A	N/A	
1997-95	L4 2.2L	Eng F22B1, VTEC	N/A	N/A	N/A	
1997-95	L4 2.2L	Eng F22B2	N/A	N/A	N/A	
1997-95	V6 2.7L		N/A	N/A	N/A	
1994	L4 2.2L	Eng F22B1, VTEC	N/A	N/A	N/A	
1994	L4 2.2L	Eng F22B2	N/A	N/A	N/A	
1993-92	L4 2.2L		N/A	N/A	N/A	
1991-90	L4 2.2L		N/A	N/A	N/A	
1989-86	L4 2.0L	CARB	11R5Y	3733	37334	0.035
1989-86	L4 2.0L	FI	11R5Y	3733	37334	0.035
1985	L4 1.8L	CARB	11R5Y	3733	37334	0.035
1985	L4 1.8L	FI	N/A	N/A	N/A	
1984	L4 1.8L		11R5Y	3733	37334	0.035
1983-82	L4 1.8L		11R6	3734	37344	0.032
1981	L4 1.8L		11R6	3734	37344	0.032
1980	L4 1.8L		N/A	N/A	N/A	
1979	L4 1.8L		N/A	N/A	N/A	
1978-76	L4 1.6L		11R6	3734	37344	0.032
<b>Accord Crosstour</b>						
2011-10	V6 3.5L		N/A	N/A	N/A	
<b>Civic</b>						
2012	L4 2.4L		N/A	N/A	N/A	
2011-10	L4 1.3L		N/A	N/A	N/A	
2011-10	L4 1.8L	Eng R18A1	N/A	N/A	N/A	
2011-10	L4 1.8L	Eng R18A4	N/A	N/A	N/A	
2011-10	L4 2.0L		N/A	N/A	N/A	
2009-06	L4 1.3L		N/A	N/A	N/A	
2009-06	L4 1.8L	Eng R18A1	N/A	N/A	N/A	
2009-06	L4 1.8L	Eng R18A4	N/A	N/A	N/A	
2009-06	L4 2.0L		N/A	N/A	N/A	
2005-03	L4 1.3L		7IR5Y	3725	37254	0.040
2005-03	L4 1.7L	CNG	N/A	N/A	N/A	
2005-03	L4 1.7L	GAS	7IR6L	3726	37264	0.032
2005-03	L4 2.0L		N/A	N/A	N/A	
2002	L4 1.7L	CNG	N/A	N/A	N/A	
2002	L4 1.7L	GAS	7IR6L	3726	37264	0.032
2002	L4 2.0L		N/A	N/A	N/A	
2001	L4 1.7L	CNG	N/A	N/A	N/A	
2001	L4 1.7L	GAS	7IR6L	3726	37264	0.032
2000-99	L4 1.6L	Eng B16A2	7IR6Y *	3727	37274	0.043
2000-99	L4 1.6L	Eng D16B5	N/A	N/A	N/A	
2000-99	L4 1.6L	Eng D16Y5	8IR5L	3728	37284	0.040
2000-99	L4 1.6L	Eng D16Y7	N/A	N/A	N/A	
2000-99	L4 1.6L	Eng D16Y8	N/A	N/A	N/A	
1998	L4 1.6L	Eng D16B5	N/A	N/A	N/A	
1998	L4 1.6L	Eng D16Y5	8IR5L	3728	37284	0.040
1998	L4 1.6L	Eng D16Y7	N/A	N/A	N/A	
1998	L4 1.6L	Eng D16Y8	N/A	N/A	N/A	
1997-96	L4 1.6L	Eng D16Y5	8IR5L	3728	37284	0.040
1997-96	L4 1.6L	Eng D16Y7	N/A	N/A	N/A	
1997-96	L4 1.6L	Eng D16Y8	N/A	N/A	N/A	
1995-92	L4 1.5L	Eng D15B7	N/A	N/A	N/A	
1995-92	L4 1.5L	Eng D15B8	8IR5L	3728	37284	0.040

CPB's = Coil Plug Boots  
 \*\* Pre-gapped for optimal performance.

Make Model Year	Engine Size	Notes:	Plug Type	MSD PN Single	MSD PN 4-Pack	Pre-Gap Setting**
1995-92	L4 1.5L	Eng D15Z1	8IR5L	3728	37284	0.040
1995-92	L4 1.6L		N/A	N/A	N/A	
1991-88	L4 1.5L		7IR6Y *	3727	37274	0.043
1991-88	L4 1.6L		7IR6Y *	3727	37274	0.043
1987	L4 1.3L	Base	11R4Y	3731	37314	0.035
1987	L4 1.3L	DX	11R5Y	3733	37334	0.035
1987	L4 1.5L	CARB, Base	11R4Y	3731	37314	0.035
1987	L4 1.5L	CARB, CRX, Calif.	11R4Y	3731	37314	0.035
1987	L4 1.5L	CARB, CRX, Exc. Calif.	11R4Y	3731	37314	0.035
1987	L4 1.5L	CARB, CRX HF, Calif.	11R4Y	3731	37314	0.035
1987	L4 1.5L	CARB, CRX HF, Exc. Calif.	11R4Y	3731	37314	0.035
1987	L4 1.5L	CARB, DX	11R4Y	3731	37314	0.035
1987	L4 1.5L	FI, CRX Si	N/A	N/A	N/A	
1987	L4 1.5L	FI, Si	N/A	N/A	N/A	
1986	L4 1.3L	Base	11R4Y	3731	37314	0.035
1986	L4 1.3L	DX	11R5Y	3733	37334	0.035
1986	L4 1.5L	CARB, CRX	11R4Y	3731	37314	0.035
1986	L4 1.5L	CARB, CRX HF, Calif.	11R4Y	3731	37314	0.035
1986	L4 1.5L	CARB, CRX HF, Exc. Calif.	11R4Y	3731	37314	0.035
1986	L4 1.5L	CARB, DX	11R4Y	3731	37314	0.035
1986	L4 1.5L	CARB, Eng EW1	11R4Y	3731	37314	0.035
1986	L4 1.5L	FI, CRX Si	N/A	N/A	N/A	
1986	L4 1.5L	FI, Eng EW1	N/A	N/A	N/A	
1986	L4 1.5L	FI, Si	N/A	N/A	N/A	
1985	L4 1.3L	Base Early	11R4Y	3731	37314	0.035
1985	L4 1.3L	DX, Early	11R5Y	3733	37334	0.035
1985	L4 1.5L	1500 S, CARB, Early	11R5Y	3733	37334	0.035
1985	L4 1.5L	Base, CARB, Early	11R5Y	3733	37334	0.035
1985	L4 1.5L	CRX, CARB, Early	11R4Y	3731	37314	0.035
1985	L4 1.5L	CRX HF, CARB	11R4Y	3731	37314	0.035
1985	L4 1.5L	CRX Si, FI	N/A	N/A	N/A	
1985	L4 1.5L	DX CARB, Early	11R4Y	3731	37314	0.035
1984	L4 1.3L	CRX	11R5Y	3733	37334	0.035
1984	L4 1.3L	DX	11R5Y	3733	37334	0.035
1984	L4 1.5L	1500 S	11R5Y	3733	37334	0.035
1984	L4 1.5L	Base	11R5Y	3733	37334	0.035
1984	L4 1.5L	CRX 1.5	11R5Y	3733	37334	0.035
1984	L4 1.5L	DX	11R4Y	3731	37314	0.035
1983-81	L4 1.3L		N/A	N/A	N/A	
1983-81	L4 1.5L		N/A	N/A	N/A	
1980	L4 1.3L		N/A	N/A	N/A	
1980	L4 1.5L		N/A	N/A	N/A	
1979-78	L4 1.2L		N/A	N/A	N/A	
1979-78	L4 1.5L	Eng ED3	11R6	3734	37344	0.032
1979-78	L4 1.5L	Eng ED4	N/A	N/A	N/A	
1977-76	L4 1.2L		N/A	N/A	N/A	
1977-76	L4 1.5L		11R6	3734	37344	0.032
1975	L4 1.2L		N/A	N/A	N/A	
1975	L4 1.5L	Eng ED1	11R6	3734	37344	0.032
1975	L4 1.5L	Eng ED2	N/A	N/A	N/A	
1975	L4 1.5L	Eng ED4	11R6	3734	37344	0.032
1974	L4 1.2L		N/A	N/A	N/A	
1973	L4 1.2L		11R5Y	3733	37334	0.035
<b>Civic del Sol</b>						
1997-96	L4 1.6L	Eng B16A2	7IR6Y *	3727	37274	0.043
1997-96	L4 1.6L	Eng D16Y7	N/A	N/A	N/A	
1997-96	L4 1.6L	Eng D16Y8	N/A	N/A	N/A	
1995-94	L4 1.5L		N/A	N/A	N/A	
1995-94	L4 1.6L	Eng B16A3	7IR6Y *	3727	37274	0.043
1995-94	L4 1.6L	Eng D16Z6	N/A	N/A	N/A	
1993	L4 1.5L		N/A	N/A	N/A	
1993	L4 1.6L		N/A	N/A	N/A	
<b>CR-V</b>						
2011-10	L4 2.4L		N/A	N/A	N/A	
2009-02	L4 2.4L		N/A	N/A	N/A	
2001-99	L4 2.0L		7IR6Y *	3727	37274	0.043
1998-97	L4 2.0L		N/A	N/A	N/A	

\* Short Style 6 Series - PN 3741 (single), PN 37414 (4pk) - Pre-gapped 0.035  
 \* Short Style 7 Series - PN 3742 (single), PN 37424 (4pk) - Pre-gapped 0.035





## Honda CRX

Make Model Year	Engine Size	Notes:	Plug Type	MSD PN Single	MSD PN 4-Pack	Pre-Gap Setting**
<b>CRX</b>						
1991-90	L4 1.5L	Eng D15B2	7IR6Y *	3727	37274	0.043
1991-90	L4 1.5L	Eng D15B6	7IR5Y	3725	37254	0.040
1991-90	L4 1.6L		7IR6Y *	3727	37274	0.043
1989	L4 1.5L	Base	7IR6Y *	3727	37274	0.043
1989	L4 1.5L	HF	7IR5Y	3725	37254	0.040
1989	L4 1.6L		7IR6Y *	3727	37274	0.043
1988	L4 1.5L	DX	7IR6Y *	3727	37274	0.043
1988	L4 1.5L	HF	7IR5Y	3725	37254	0.040
1988	L4 1.6L		7IR6Y *	3727	37274	0.043
<b>Element</b>						
2011-03	L4 2.4L		N/A	N/A	N/A	
<b>Fit</b>						
2011-07	L4 1.5L		N/A	N/A	N/A	
<b>Odyssey</b>						
2011	V6 3.5L		N/A	N/A	N/A	
2010-08	V6 3.5L	Eng J35A6	N/A	N/A	N/A	
2010-08	V6 3.5L	Eng J35A7	N/A	N/A	N/A	
2007-05	V6 3.5L		N/A	N/A	N/A	
2004-99	V6 3.5L		N/A	N/A	N/A	
1998	L4 2.3L		N/A	N/A	N/A	
1997-95	L4 2.2L		N/A	N/A	N/A	
<b>Passport</b>						
2002	V6 3.2L	Cyl. 6; 1 CPB Req	7IR5Y	3725	37254	0.040
2002	V6 3.2L	Cyls. 1-5; 5 CPBs Req	7IR5Y	3725	37254	0.040
1999-97	V6 3.2L		7IR5Y	3725	37254	0.040
1996	L4 2.6L		11IR5Y	3733	37334	0.035
1996	V6 3.2L	To 11/95	7IR6Y *	3727	37274	0.043
1995-94	L4 2.6L		11IR5Y	3733	37334	0.035
1995-94	V6 3.2L		7IR6Y *	3727	37274	0.043
<b>Pilot</b>						
2011-09	V6 3.5L		N/A	N/A	N/A	
2008-06	V6 3.5L		N/A	N/A	N/A	
2005-03	V6 3.5L		N/A	N/A	N/A	
<b>Prelude</b>						
2001-97	L4 2.2L		7IR6L	3726	37264	0.032
1996-95	L4 2.2L	Eng F22A1	N/A	N/A	N/A	
1996-95	L4 2.2L	Eng H22A1, VTEC	7IR6L	3726	37264	0.032
1996-95	L4 2.3L		7IR6Y *	3727	37274	0.043
1994	L4 2.2L	Eng F22A1	N/A	N/A	N/A	
1994	L4 2.2L	Eng H22A1, VTEC	7IR6L	3726	37264	0.032
1994	L4 2.3L	Si	7IR6Y *	3727	37274	0.043
1994	L4 2.3L	Si 4WS	N/A	N/A	N/A	
1993	L4 2.2L	Eng F22A1	N/A	N/A	N/A	
1993	L4 2.2L	Eng H22A1, VTEC	7IR6Y *	3727	37274	0.043
1993	L4 2.3L	Si	7IR6Y *	3727	37274	0.043
1993	L4 2.3L	Si 4WS	N/A	N/A	N/A	
1992	L4 2.2L		N/A	N/A	N/A	
1992	L4 2.3L		7IR6Y *	3727	37274	0.043
1991	L4 2.0L		N/A	N/A	N/A	
1991	L4 2.1L		N/A	N/A	N/A	
1990	L4 2.0L	CARB	7IR5Y	3725	37254	0.040
1990	L4 2.0L	FI	7IR6Y *	3727	37274	0.043
1990	L4 2.1L		N/A	N/A	N/A	
1989-88	L4 2.0L	CARB	7IR5Y	3725	37254	0.040
1989-88	L4 2.0L	FI	7IR6Y *	3727	37274	0.043
1987-85	L4 1.8L		N/A	N/A	N/A	
1987-85	L4 2.0L		11IR5Y	3733	37334	0.035
1984	L4 1.8L		N/A	N/A	N/A	
1983	L4 1.8L		N/A	N/A	N/A	
1982-81	L4 1.8L		11IR6	3734	37344	0.032
1980	L4 1.8L	California	N/A	N/A	N/A	
1980	L4 1.8L	Non-California	N/A	N/A	N/A	
1979	L4 1.8L		N/A	N/A	N/A	
<b>Ridgeline</b>						
2011-09	V6 3.5L		N/A	N/A	N/A	
2008-06	V6 3.5L		N/A	N/A	N/A	

Make Model Year	Engine Size	Notes:	Plug Type	MSD PN Single	MSD PN 4-Pack	Pre-Gap Setting**
<b>S2000</b>						
2009-04	L4 2.2L		N/A	N/A	N/A	
2003	L4 2.0L		N/A	N/A	N/A	
<b>Wagovan</b>						
1987-86	L4 1.5L		N/A	N/A	N/A	
1984	L4 1.5L		N/A	N/A	N/A	
<b>Hummer</b>						
<b>H2</b>						
2009-08	V8 6.2L		1IR5L	3712	37124	0.047
2007-03	V8 6.0L		1IR5Y	3713	37134	0.043
<b>H3</b>						
2010	L5 3.7L		5IR5Y	3719	37194	0.040
2010	V8 5.3L		1IR5L	3712	37124	0.047
2009	L5 3.7L		5IR5Y	3719	37194	0.040
2009	V8 5.3L		1IR5L	3712	37124	0.047
2008	L5 3.7L		5IR5Y	3719	37194	0.040
2008	V8 5.3L		1IR5L	3712	37124	0.047
2007	L5 3.7L		5IR5Y	3719	37194	0.040
2006	L5 3.5L	5 CPBs Req	5IR5Y	3719	37194	0.040
<b>H3T</b>						
2010	L5 3.7L		5IR5Y	3719	37194	0.040
2010	V8 5.3L		1IR5L	3712	37124	0.047
2009	L5 3.7L		5IR5Y	3719	37194	0.040
2009	V8 5.3L		1IR5L	3712	37124	0.047
<b>Hyundai</b>						
<b>Accent</b>						
2011-06	L4 1.6L		7IR5Y	3725	37254	0.040
2005-04	L4 1.6L		7IR5Y	3725	37254	0.040
2003-01	L4 1.5L		7IR5Y	3725	37254	0.040
2003-01	L4 1.6L		7IR5Y	3725	37254	0.040
2000	L4 1.5L		7IR5Y	3725	37254	0.040
1999-98	L4 1.5L	SOHC	7IR5Y	3725	37254	0.040
1997	L4 1.5L	DOHC, From 12/9/96	7IR5Y	3725	37254	0.040
1997	L4 1.5L	DOHC, To 12/9/96;	7IR5Y	3725	37254	0.040
1997	L4 1.5L	SOHC	7IR5Y	3725	37254	0.040
1997	L4 1.5L	DOHC, To 12/9/96; CPBs Req	7IR5Y	3725	37254	0.040
1996	L4 1.5L	DOHC,	7IR5Y	3725	37254	0.040
1996	L4 1.5L	SOHC	7IR5Y	3725	37254	0.040
1996	L4 1.5L	DOHC, 2 CPBs Req	7IR5Y	3725	37254	0.040
1995	L4 1.5L		7IR5Y	3725	37254	0.040
<b>Azera</b>						
2011-07	V6 3.3L		7IR5Y	3725	37254	0.040
2011-07	V6 3.8L		7IR5Y	3725	37254	0.040
2006	V6 3.8L		7IR5Y	3725	37254	0.040
<b>Elantra</b>						
2011	L4 1.8L		N/A	N/A	N/A	
2011	L4 2.0L		7IR5Y	3725	37254	0.040
2010-09	L4 2.0L	Vin D	N/A	N/A	N/A	
2010-09	L4 2.0L	Vin E	7IR5Y	3725	37254	0.040
2008	L4 2.0L		N/A	N/A	N/A	
2007-99	L4 2.0L		7IR5Y	3725	37254	0.040
1998-96	L4 1.8L		7IR5Y	3725	37254	0.040
1995-93	L4 1.6L		N/A	N/A	N/A	
1995-93	L4 1.8L		N/A	N/A	N/A	
1992	L4 1.6L		N/A	N/A	N/A	
<b>Entourage</b>						
2008-07	V6 3.8L		7IR5Y	3725	37254	0.040
<b>Excel</b>						
1994-93	L4 1.5L		N/A	N/A	N/A	
1992-90	L4 1.5L	FI	N/A	N/A	N/A	
1989-86	L4 1.5L		N/A	N/A	N/A	



Make Model Year	Engine Size	Notes:	Plug Type	MSD PN Single	MSD PN 4-Pack	Pre-Gap Setting**
<b>Genesis</b>						
2011-10	V6 3.8L		N/A	N/A	N/A	
2011-10	V8 4.6L		9IR5Y	3730	37304	0.040
2009	V6 3.8L	From 5/1/08 Production Date	N/A	N/A	N/A	
2009	V6 3.8L	Up to 5/1/08 Production Date	9IR5Y	3730	37304	0.040
2009	V8 4.6L		9IR5Y	3730	37304	0.040
<b>Genesis Coupe</b>						
2011-10	V6 3.8L		N/A	N/A	N/A	
<b>Pony</b>						
1987	L4 1.4L		N/A	N/A	N/A	
1987	L4 1.6L		N/A	N/A	N/A	
1986	L4 1.4L		N/A	N/A	N/A	
1986	L4 1.5L		N/A	N/A	N/A	
1985-84	L4 1.4L		N/A	N/A	N/A	
1985-84	L4 1.6L		N/A	N/A	N/A	
1983	L4 1.4L		N/A	N/A	N/A	
<b>Santa Fe</b>						
2011-10	L4 2.4L		9IR5Y	3730	37304	0.040
2011-10	V6 3.5L		N/A	N/A	N/A	
2009-07	V6 2.7L		9IR5Y	3730	37304	0.040
2009-07	V6 3.3L		7IR5Y	3725	37254	0.040
2006-03	L4 2.4L		11IR5Y	3733	37334	0.035
2006-03	L4 2.4L	2 CPBs Req	11IR5Y	3733	37334	0.035
2006-03	V6 2.7L		7IR5Y	3725	37254	0.040
2006-03	V6 3.5L	3 CPBs Req	7IR5Y	3725	37254	0.040
2002-01	L4 2.4L		11IR5Y	3733	37334	0.035
2002-01	L4 2.4L	2 CPBs Req	11IR5Y	3733	37334	0.035
2002-01	V6 2.7L		7IR5Y	3725	37254	0.040
<b>Scoupe</b>						
1995	L4 1.5L	Naturally Aspirated	7IR5Y	3725	37254	0.040
1995	L4 1.5L	Turbo	7IR6Y *	3727	37274	0.043
1994	L4 1.5L	Naturally Aspirated, From 4/94	7IR5Y	3725	37254	0.040
1994	L4 1.5L	Naturally Aspirated, From 4/94	7IR5Y	3725	37254	0.040
1994	L4 1.5L	Turbo, From 4/94	7IR6Y *	3727	37274	0.043
1994	L4 1.5L	Turbo, To 4/94	7IR6Y *	3727	37274	0.043
1993	L4 1.5L	Naturally Aspirated	7IR5Y	3725	37254	0.040
1993	L4 1.5L	Turbo	7IR6Y *	3727	37274	0.043
1992-91	L4 1.5L		N/A	N/A	N/A	
<b>Sonata</b>						
2010-09	L4 2.4L		9IR5Y	3730	37304	0.040
2010-09	V6 3.3L		7IR5Y	3725	37254	0.040
2008-07	L4 2.4L		7IR5Y	3725	37254	0.040
2008-07	V6 3.3L		7IR5Y	3725	37254	0.040
2006	L4 2.4L		N/A	N/A	N/A	
2006	V6 3.3L		7IR5Y	3725	37254	0.040
2005-02	L4 2.4L		11IR5Y	3733	37334	0.035
2005-02	L4 2.4L	2 CPBs Req	11IR5Y	3733	37334	0.035
2005-02	V6 2.7L		7IR5Y	3725	37254	0.040
2001-99	L4 2.4L		11IR5Y	3733	37334	0.035
2001-99	L4 2.4L	2 CPBs Req	11IR5Y	3733	37334	0.035
2001-99	V6 2.5L		7IR5Y	3725	37254	0.040
1998-92	L4 2.0L		N/A	N/A	N/A	
1998-92	V6 3.0L		11IR5Y	3733	37334	0.035
1991-90	L4 2.4L		N/A	N/A	N/A	
1991-90	V6 3.0L		11IR5Y	3733	37334	0.035
1989	L4 2.4L		N/A	N/A	N/A	
<b>Stellar</b>						
1987	L4 2.0L		N/A	N/A	N/A	
1986-85	L4 1.6L		N/A	N/A	N/A	
<b>Tiburon</b>						
2008	L4 2.0L		7IR5Y	3725	37254	0.040
2008	V6 2.7L		7IR5Y	3725	37254	0.040
2007-03	L4 2.0L		7IR5Y	3725	37254	0.040
2007-03	V6 2.7L		7IR5Y	3725	37254	0.040
2001-98	L4 2.0L		7IR5Y	3725	37254	0.040
1997	L4 1.8L		7IR5Y	3725	37254	0.040
1997	L4 2.0L		7IR5Y	3725	37254	0.040

CPB's = Coil Plug Boots  
 \*\* Pre-gapped for optimal performance.

Make Model Year	Engine Size	Notes:	Plug Type	MSD PN Single	MSD PN 4-Pack	Pre-Gap Setting**
<b>Tucson</b>						
2011	L4 2.0L		9IR5Y	3730	37304	0.040
2011	L4 2.4L		9IR5Y	3730	37304	0.040
2010	L4 2.4L		9IR5Y	3730	37304	0.040
2009-05	L4 2.0L		7IR5Y	3725	37254	0.040
2009-05	V6 2.7L		7IR5Y	3725	37254	0.040
<b>Veracruz</b>						
2011-07	V6 3.8L		7IR5Y	3725	37254	0.040
<b>XG300</b>						
2001	V6 3.0L		7IR5Y	3725	37254	0.040
2001	V6 3.0L	3 CPBs Req	7IR5Y	3725	37254	0.040
<b>XG350</b>						
2005-03	V6 3.5L	3 CPBs Req	7IR5Y	3725	37254	0.040
2002	V6 3.5L		7IR5Y	3725	37254	0.040
2002	V6 3.5L	3 CPBs Req	7IR5Y	3725	37254	0.040
<b>Infiniti</b>						
<b>EX35</b>						
2011-08	V6 3.5L		N/A	N/A	N/A	
<b>FX35</b>						
2011-09	V6 3.5L		N/A	N/A	N/A	
2008-03	V6 3.5L	6 CPBs Req	9IR5Y	3730	37304	0.040
<b>FX45</b>						
2008-03	V8 4.5L	8 CPBs Req	9IR5Y	3730	37304	0.040
<b>FX50</b>						
2011-09	V8 5.0L		N/A	N/A	N/A	
<b>G20</b>						
2002-99	L4 2.0L		7IR5Y	3725	37254	0.040
1996-95	L4 2.0L		7IR6Y *	3727	37274	0.043
1994	L4 2.0L	From 2/94	7IR6Y *	3727	37274	0.043
1994	L4 2.0L	To 1/94	7IR6Y *	3727	37274	0.043
1993-91	L4 2.0L		7IR6Y *	3727	37274	0.043
<b>G25</b>						
2011	V6 2.5L		N/A	N/A	N/A	
<b>G35</b>						
2008	V6 3.5L		N/A	N/A	N/A	
2007	V6 3.5L	Eng VQ35DE, 6 CPBs Req	9IR5Y	3730	37304	0.040
2007	V6 3.5L	Eng VQ35HR, 6 CPBs Req	N/A	N/A	N/A	
2006-03	V6 3.5L	6 CPBs Req	9IR5Y	3730	37304	0.040
<b>I30</b>						
2001	V6 3.0L	Left Bank Cyls. 2, 4, 6; 3 CPBs Req	7IR5Y	3725	37254	0.040
2001	V6 3.0L	Right Bank Cyls. 1, 3, 5; 3 CPBs Req	7IR5Y	3725	37254	0.040
1999	V6 3.0L	From 7/99; Lft Bnk Cyls 2,4,6; 3 CPBs Req	7IR5Y	3725	37254	0.040
1999	V6 3.0L	Right Bank Cyls. 1, 3, 5; 3 CPBs Req	7IR5Y	3725	37254	0.040
1999	V6 3.0L	To 6/99; Lft Bnk Cyls 2,4,6; 3 CPBs Req	7IR5Y	3725	37254	0.040
1998-96	V6 3.0L	Left Bank Cyls. 2, 4, 6; 5; 3 CPBs Req	7IR5Y	3725	37254	0.040
1998-96	V6 3.0L	Right Bank Cyls. 1, 3, 5; 3 CPBs Req	7IR5Y	3725	37254	0.040
<b>I35</b>						
2004-02	V6 3.5L	6 CPBs Req	9IR5Y	3730	37304	0.040
<b>J30</b>						
1997-95	V6 3.0L	6 CPBs Req	7IR5Y	3725	37254	0.040
1994	V6 3.0L	From 3/94; 6 CPBs Req	7IR5Y	3725	37254	0.040
1994	V6 3.0L	To 3/94; 6 CPBs Req	7IR5Y	3725	37254	0.040
1993	V6 3.0L	6 CPBs Req	7IR5Y	3725	37254	0.040
<b>M30</b>						
1992-90	V6 3.0L		7IR6Y *	3727	37274	0.043
<b>M35</b>						
2010-09	V6 3.5L		N/A	N/A	N/A	
2008-06	V6 3.5L	6 CPBs Req	9IR5Y	3730	37304	0.040
<b>M35h</b>						
2012	V6 3.5L		N/A	N/A	N/A	
<b>M45</b>						
2010-06	V8 4.5L	8 CPBs Req	9IR5Y	3730	37304	0.040
2004-03	V8 4.5L	8 CPBs Req	9IR5Y	3730	37304	0.040

\* Short Style 6 Series - PN 3741 (single), PN 37414 (4pk) - Pre-gapped 0.035  
 \* Short Style 7 Series - PN 3742 (single), PN 37424 (4pk) - Pre-gapped 0.035



# Infiniti M56

Make Model Year	Engine Size	Notes:	Plug Type	MSD PN Single	MSD PN 4-Pack	Pre-Gap Setting**
<b>M56</b>						
2012-11	V8 5.6L		N/A	N/A	N/A	
<b>Q45</b>						
2006-02	V8 4.5L	8 CPBs Req	9IR5Y	3730	37304	0.040
2001-97	V8 4.1L		7IR5Y	3725	37254	0.040
1996-94	V8 4.5L		7IR5Y	3725	37254	0.040
1993-90	V8 4.5L		7IR5Y	3725	37254	0.040
<b>QX4</b>						
2003-02	V6 3.5L	6 CPBs Req	9IR5Y	3730	37304	0.040
2001	V6 3.5L	From 07/01; 6 CPBs Req	9IR5Y	3730	37304	0.040
2001	V6 3.5L	To 07/01; Cyl. 1; 1 CPB Req	9IR5Y	3730	37304	0.040
2001	V6 3.5L	To 07/01; Cyls. 2-6; 5 CPB Req	9IR5Y	3730	37304	0.040
2000-98	V6 3.3L		7IR5Y	3725	37254	0.040
1997	V6 3.3L		7IR5Y	3725	37254	0.040
<b>QX56</b>						
2011	V8 5.6L		N/A	N/A	N/A	
2010-09	V8 5.6L		9IR5Y	3730	37304	0.040
2008-07	V8 5.6L		9IR5Y	3730	37304	0.040
2006-04	V8 5.6L	8 CPBs Req	9IR5Y	3730	37304	0.040
<b>International</b>						
<b>100</b>						
1974	L6 4.2L		11IR5Y	3733	37334	0.035
1974	V8 5.0L		15IR5Y	3739	37394	0.035
1974	V8 5.6L		15IR5Y	3739	37394	0.035
1974	V8 6.4L		15IR5Y	3739	37394	0.035
<b>150</b>						
1975	V8 5.0L		15IR5Y	3739	37394	0.035
1975	V8 5.6L		15IR5Y	3739	37394	0.035
1975	V8 6.4L		15IR5Y	3739	37394	0.035
<b>200</b>						
1975	V8 5.0L		15IR5Y	3739	37394	0.035
1975	V8 5.6L		15IR5Y	3739	37394	0.035
1975	V8 6.4L		15IR5Y	3739	37394	0.035
1974	L6 4.2L		11IR5Y	3733	37334	0.035
1974	V8 5.0L		15IR5Y	3739	37394	0.035
1974	V8 5.6L		15IR5Y	3739	37394	0.035
1974	V8 6.4L		15IR5Y	3739	37394	0.035
<b>908B</b>						
1969	V8 5.0L		15IR5Y	3739	37394	0.035
1968	V8 4.4L		15IR5Y	3739	37394	0.035
<b>908C</b>						
1969	V8 5.0L		15IR5Y	3739	37394	0.035
1968	V8 4.4L		15IR5Y	3739	37394	0.035
<b>1000B</b>						
1969	L6 3.8L		11IR4Y	3731	37314	0.035
1969	L6 3.9L		15IR5Y	3739	37394	0.035
1969	V8 4.4L		15IR5Y	3739	37394	0.035
1969	V8 5.0L		15IR5Y	3739	37394	0.035
1968	L6 3.9L		15IR5Y	3739	37394	0.035
1968	V8 4.4L		15IR5Y	3739	37394	0.035
<b>1000C</b>						
1969	L6 3.8L		11IR4Y	3731	37314	0.035
1969	L6 3.9L		15IR5Y	3739	37394	0.035
1969	V8 4.4L		15IR5Y	3739	37394	0.035
1969	V8 5.0L		15IR5Y	3739	37394	0.035
1968	L6 4.0L		15IR5Y	3739	37394	0.035
1968	V8 4.4L		15IR5Y	3739	37394	0.035
<b>1000D</b>						
1970-69	L6 3.8L		11IR4Y	3731	37314	0.035
1970-69	L6 3.9L		15IR5Y	3739	37394	0.035
1970-69	V8 4.4L		15IR5Y	3739	37394	0.035
1970-69	V8 5.0L		15IR5Y	3739	37394	0.035

Make Model Year	Engine Size	Notes:	Plug Type	MSD PN Single	MSD PN 4-Pack	Pre-Gap Setting**
<b>1010</b>						
1973-72	L6 4.2L		11IR5Y	3733	37334	0.035
1973-72	V8 5.0L		15IR5Y	3739	37394	0.035
1973-72	V8 5.7L		15IR5Y	3739	37394	0.035
1973-72	V8 6.4L		15IR5Y	3739	37394	0.035
1971	L6 3.8L		11IR4Y	3731	37314	0.035
1971	V8 5.7L		15IR5Y	3739	37394	0.035
<b>1100B</b>						
1969	L6 3.8L		11IR4Y	3731	37314	0.035
1969	L6 3.9L		15IR5Y	3739	37394	0.035
1969	V8 4.4L		15IR5Y	3739	37394	0.035
1969	V8 5.0L		15IR5Y	3739	37394	0.035
1968	L6 3.9L		15IR5Y	3739	37394	0.035
1968	V8 4.4L		15IR5Y	3739	37394	0.035
<b>1100C</b>						
1969	L6 3.8L		11IR4Y	3731	37314	0.035
1969	L6 3.9L		15IR5Y	3739	37394	0.035
1969	V8 4.4L		15IR5Y	3739	37394	0.035
1969	V8 5.0L		15IR5Y	3739	37394	0.035
1968	L6 3.9L		15IR5Y	3739	37394	0.035
1968	V8 4.4L		15IR5Y	3739	37394	0.035
<b>1100D</b>						
1970-69	L6 3.8L	Truck	11IR4Y	3731	37314	0.035
1970-69	L6 3.9L	Truck	15IR5Y	3739	37394	0.035
1970-69	V8 4.4L	Truck	15IR5Y	3739	37394	0.035
1970-69	V8 5.0L	Car	15IR5Y	3739	37394	0.035
1970-69	V8 5.0L	Truck	15IR5Y	3739	37394	0.035
<b>1110</b>						
1973-72	L6 4.2L		11IR5Y	3733	37334	0.035
1973-72	V8 5.0L		15IR5Y	3739	37394	0.035
1973-72	V8 5.7L		15IR5Y	3739	37394	0.035
1973-72	V8 6.4L		15IR5Y	3739	37394	0.035
1971	L6 3.8L		11IR4Y	3731	37314	0.035
1971	L6 3.8L	Truck	11IR4Y	3731	37314	0.035
1971	V8 5.7L	Truck	15IR5Y	3739	37394	0.035
<b>1200B</b>						
1969	L6 3.9L		15IR5Y	3739	37394	0.035
1969	V8 4.4L		15IR5Y	3739	37394	0.035
1969	V8 5.0L		15IR5Y	3739	37394	0.035
1968	L6 3.9L		15IR5Y	3739	37394	0.035
1968	V8 4.4L		15IR5Y	3739	37394	0.035
<b>1200C</b>						
1969	L6 3.9L		15IR5Y	3739	37394	0.035
1969	V8 4.4L		15IR5Y	3739	37394	0.035
1969	V8 5.0L		15IR5Y	3739	37394	0.035
1968	L6 3.9L		15IR5Y	3739	37394	0.035
1968	V8 4.4L		15IR5Y	3739	37394	0.035
<b>1200D</b>						
1970-69	L6 3.9L		15IR5Y	3739	37394	0.035
1970-69	V8 4.4L		15IR5Y	3739	37394	0.035
1970-69	V8 5.0L		15IR5Y	3739	37394	0.035
<b>1210</b>						
1973-72	L6 4.2L		11IR5Y	3733	37334	0.035
1973-72	V8 5.0L		15IR5Y	3739	37394	0.035
1973-72	V8 5.7L		15IR5Y	3739	37394	0.035
1973-72	V8 6.4L		15IR5Y	3739	37394	0.035
1971	L6 3.8L		11IR4Y	3731	37314	0.035
1971	V8 5.7L		15IR5Y	3739	37394	0.035
<b>1300B</b>						
1969	L6 3.9L		15IR5Y	3739	37394	0.035
1969	V8 4.4L		15IR5Y	3739	37394	0.035
1969	V8 5.0L		15IR5Y	3739	37394	0.035
1968	L6 3.9L		15IR5Y	3739	37394	0.035
1968	V8 4.4L		15IR5Y	3739	37394	0.035

\* Short Style 6 Series - PN 3741 (single), PN 37414 (4pk) - Pre-gapped 0.035  
 \* Short Style 7 Series - PN 3742 (single), PN 37424 (4pk) - Pre-gapped 0.035

CPB's = Coil Plug Boots  
 \*\* Pre-gapped for optimal performance.





Make Model Year	Engine Size	Notes:	Plug Type	MSD PN Single	MSD PN 4-Pack	Pre-Gap Setting**
<b>1300C</b>						
1969	L6 3.9L		151R5Y	3739	37394	0.035
1969	V8 4.4L		151R5Y	3739	37394	0.035
1969	V8 5.0L		151R5Y	3739	37394	0.035
1968	L6 3.9L		151R5Y	3739	37394	0.035
1968	V8 4.4L		151R5Y	3739	37394	0.035
<b>1300D</b>						
1970-69	L6 3.9L		151R5Y	3739	37394	0.035
1970-69	V8 4.4L		151R5Y	3739	37394	0.035
1970-69	V8 5.0L		151R5Y	3739	37394	0.035
<b>1310</b>						
1973-72	L6 4.2L		111R5Y	3733	37334	0.035
1973-72	V8 5.0L		151R5Y	3739	37394	0.035
1973-72	V8 5.7L		151R5Y	3739	37394	0.035
1973-72	V8 6.4L		151R5Y	3739	37394	0.035
1971	L6 3.8L		111R4Y	3731	37314	0.035
1971	V8 5.0L		151R5Y	3739	37394	0.035
1971	V8 5.7L		151R5Y	3739	37394	0.035
<b>DM10</b>						
1972	L6 4.2L		111R5Y	3733	37334	0.035
1972	V8 5.0L		151R5Y	3739	37394	0.035
<b>M800</b>						
1971	L4 2.5L		151R5Y	3739	37394	0.035
1971	V8 5.0L		151R5Y	3739	37394	0.035
1970-69	L6 3.8L		111R4Y	3731	37314	0.035
1970-69	L6 3.9L		151R5Y	3739	37394	0.035
1970-69	V8 5.0L		151R5Y	3739	37394	0.035
1968	L4 2.5L		151R5Y	3739	37394	0.035
1968	L6 3.6L		151R5Y	3739	37394	0.035
<b>M800 Navy</b>						
1969	L6 3.8L		111R4Y	3731	37314	0.035
1969	L6 3.9L		151R5Y	3739	37394	0.035
1969	V8 5.0L		151R5Y	3739	37394	0.035
<b>M800 Post Office</b>						
1972	L6 4.2L		111R5Y	3733	37334	0.035
1972	V8 5.0L		151R5Y	3739	37394	0.035
1971	L4 2.5L		151R5Y	3739	37394	0.035
1970-69	L6 3.8L		111R4Y	3731	37314	0.035
1970-69	L6 3.9L		151R5Y	3739	37394	0.035
1970-69	V8 5.0L		151R5Y	3739	37394	0.035
<b>M1100</b>						
1972	L6 4.2L		111R5Y	3733	37334	0.035
1972	V8 5.0L		151R5Y	3739	37394	0.035
1971	L4 2.5L		151R5Y	3739	37394	0.035
1971	L4 3.2L		151R5Y	3739	37394	0.035
1971	V8 5.0L		151R5Y	3739	37394	0.035
1970-69	L6 3.8L		111R4Y	3731	37314	0.035
1970-69	L6 3.9L		151R5Y	3739	37394	0.035
1970-69	V8 5.0L		151R5Y	3739	37394	0.035
1968	L4 2.5L		151R5Y	3739	37394	0.035
1968	L6 3.6L		151R5Y	3739	37394	0.035
<b>M1200</b>						
1972	L6 4.2L		111R5Y	3733	37334	0.035
1972	V8 5.0L		151R5Y	3739	37394	0.035
1971	L6 3.8L		111R4Y	3731	37314	0.035
1971	V8 5.0L		151R5Y	3739	37394	0.035
1970-69	L6 3.8L		111R4Y	3731	37314	0.035
1970-69	L6 3.9L		151R5Y	3739	37394	0.035
1970-69	V8 5.0L		151R5Y	3739	37394	0.035
1968	L6 3.6L		151R5Y	3739	37394	0.035
1968	V8 4.4L		151R5Y	3739	37394	0.035
<b>M1400</b>						
1969	L6 3.8L		111R4Y	3731	37314	0.035
1969	L6 3.9L		151R5Y	3739	37394	0.035
1969	V8 5.0L		151R5Y	3739	37394	0.035

CPB's = Coil Plug Boots  
 \*\* Pre-gapped for optimal performance.

Make Model Year	Engine Size	Notes:	Plug Type	MSD PN Single	MSD PN 4-Pack	Pre-Gap Setting**
<b>MA1200</b>						
1971	L6 3.8L		111R4Y	3731	37314	0.035
1971	V8 5.0L		151R5Y	3739	37394	0.035
1970-69	L6 3.8L		111R4Y	3731	37314	0.035
1970-69	L6 3.9L		151R5Y	3739	37394	0.035
1970-69	V8 5.0L		151R5Y	3739	37394	0.035
1968	L6 3.6L		151R5Y	3739	37394	0.035
1968	L6 3.9L		151R5Y	3739	37394	0.035
1968	V8 4.4L		151R5Y	3739	37394	0.035
<b>MHC1310</b>						
1974	L6 4.2L		111R5Y	3733	37334	0.035
1974	V8 5.0L	CARB	151R5Y	3739	37394	0.035
1974	V8 5.0L	FI	151R5Y	3739	37394	0.035
<b>MS1210</b>						
1974-72	L6 4.2L		111R5Y	3733	37334	0.035
1974-72	V8 5.0L		151R5Y	3739	37394	0.035
<b>M Series Van</b>						
1967-63	L4 2.5L		151R5Y	3739	37394	0.035
1967-63	L6 3.6L		151R5Y	3739	37394	0.035
1962-61	L4 2.5L		151R5Y	3739	37394	0.035
<b>Scout</b>						
1971	L4 2.5L		151R5Y	3739	37394	0.035
1970-69	L4 2.5L		151R5Y	3739	37394	0.035
1970-69	L6 4.3L		151R5Y	3739	37394	0.035
1970-69	V8 5.0L		151R5Y	3739	37394	0.035
1968	L4 2.5L		151R5Y	3739	37394	0.035
1968	L4 3.2L		151R5Y	3739	37394	0.035
1968	V8 4.4L		151R5Y	3739	37394	0.035
1967-61	L4 2.5L		151R5Y	3739	37394	0.035
<b>Scout II</b>						
1980-76	L4 3.2L		151R5Y	3739	37394	0.035
1980-76	V8 5.0L		151R5Y	3739	37394	0.035
1980-76	V8 5.6L		151R5Y	3739	37394	0.035
1975	L4 3.2L		151R5Y	3739	37394	0.035
1975	V8 5.0L		151R5Y	3739	37394	0.035
1975	V8 5.6L		151R5Y	3739	37394	0.035
1975	V8 6.4L		151R5Y	3739	37394	0.035
1974-72	L4 3.2L		151R5Y	3739	37394	0.035
1974-72	V8 5.0L		151R5Y	3739	37394	0.035
1974-72	V8 5.7L		151R5Y	3739	37394	0.035
1971	L4 3.2L		151R5Y	3739	37394	0.035
1971	L6 3.8L		111R4Y	3731	37314	0.035
1971	L8 5.0L		151R5Y	3739	37394	0.035
1971	L8 5.6L		151R5Y	3739	37394	0.035
<b>Isuzu</b>						
<b>Amigo</b>						
2000	L4 2.2L		71R5Y	3725	37254	0.040
2000	V6 3.2L	Cyl. 6; 1 CPB Req	71R5Y	3725	37254	0.040
2000	V6 3.2L	Cyls. 1-5; 5 CPBs Req	71R5Y	3725	37254	0.040
1999-98	L4 2.2L		71R5Y	3725	37254	0.040
1999-98	V6 3.2L		71R5Y	3725	37254	0.040
1994	L4 2.6L		111R5Y	3733	37334	0.035
1993-90	L4 2.3L		111R5Y	3733	37334	0.035
1993-90	L4 2.6L		111R5Y	3733	37334	0.035
1989	L4 2.3L		N/A	N/A	N/A	
1989	L4 2.6L		111R5Y	3733	37334	0.035
<b>Ascender</b>						
2008-07	L6 4.2L		51R5Y	3719	37194	0.040
2006	L6 4.2L		51R5Y	3719	37194	0.040
2006	V8 5.3L		11R5L	3712	37124	0.047
2005-03	L6 4.2L	6 CPBs Req	51R5Y	3719	37194	0.040
2005-03	V8 5.3L		11R5L	3712	37124	0.047
<b>Axiom</b>						
2004	V6 3.5L	Cyl. 6; 1 CPB Req	71R6Y *	3727	37274	0.043
2004	V6 3.5L	Cyls. 1-5; 5 CPBs Req	71R6Y *	3727	37274	0.043
2003-02	V6 3.5L	Cyl. 6; 1	71R5Y	3725	37254	0.040
2003-02	V6 3.5L	Cyls. 1-5; 5 CPBs Req	71R5Y	3725	37254	0.040

\* Short Style 6 Series - PN 3741 (single), PN 37414 (4pk) - Pre-gapped 0.035  
 \* Short Style 7 Series - PN 3742 (single), PN 37424 (4pk) - Pre-gapped 0.035



**ISUZU Hombre**

Make Model Year	Engine Size	Notes:	Plug Type	MSD PN Single	MSD PN 4-Pack	Pre-Gap Setting**
<b>Hombre</b>						
2000	L4 2.2L		11R5Y	3713	37134	0.043
2000	V6 4.3L		11R5Y	3713	37134	0.043
1999-98	L4 2.2L		11R5Y	3713	37134	0.043
1999-98	V6 4.3L		11R5L	3712	37124	0.047
1997	L4 2.2L		21R5L	3715	37154	0.043
1997	V6 4.3L		11R5L	3712	37124	0.047
1996	L4 2.2L		21R5L	3715	37154	0.043
<b>i-280</b>						
2006	L4 2.8L	4 CPBs Req	51R5Y	3719	37194	0.040
<b>i-290</b>						
2008-07	L4 2.9L		51R5Y	3719	37194	0.040
<b>i-350</b>						
2006	L5 3.5L	5 CPBs Req	51R5Y	3719	37194	0.040
<b>i-370</b>						
2008	L5 3.7L		51R5Y	3719	37194	0.040
2007	L5 3.7L		51R5Y	3719	37194	0.040
<b>I-Mark</b>						
1989	L4 1.5L	Naturally Aspirated	N/A	N/A	N/A	
1989	L4 1.5L	Turbo	N/A	N/A	N/A	
1989	L4 1.6L		71R6Y *	3727	37274	0.043
1988-87	L4 1.5L	Naturally Aspirated	N/A	N/A	N/A	
1988-87	L4 1.5L	Turbo	N/A	N/A	N/A	
1986	L4 1.5L		N/A	N/A	N/A	
1985	L4 1.5L		N/A	N/A	N/A	
1985	L4 1.8L		N/A	N/A	N/A	
1984-81	L4 1.8L	GAS	N/A	N/A	N/A	
<b>Impulse</b>						
1992	L4 1.6L		71R6Y *	3727	37274	0.043
1992	L4 1.8L		71R6Y *	3727	37274	0.043
1991	L4 1.6L	Naturally Aspirated	71R6Y *	3727	37274	0.043
1991	L4 1.6L	Turbo	71R6Y *	3727	37274	0.043
1990	L4 1.6L		71R6Y *	3727	37274	0.043
1989-88	L4 2.0L		N/A	N/A	N/A	
1989-88	L4 2.3L		N/A	N/A	N/A	
1987-85	L4 1.9L		N/A	N/A	N/A	
1987-85	L4 2.0L		N/A	N/A	N/A	
1984-83	L4 1.9L		N/A	N/A	N/A	
<b>Oasis</b>						
1999-98	L4 2.3L		N/A	N/A	N/A	
1997-96	L4 2.2L		N/A	N/A	N/A	
<b>Pickup</b>						
1995	L4 2.3L		111R5Y	3733	37334	0.035
1995	L4 2.6L		111R5Y	3733	37334	0.035
1994-93	L4 2.3L		111R5Y	3733	37334	0.035
1994-93	L4 2.6L		111R5Y	3733	37334	0.035
1994-93	V6 3.1L		61R5Y	3722	37224	0.035
1992	L4 2.3L		111R5Y	3733	37334	0.035
1992	L4 2.6L		111R5Y	3733	37334	0.035
1992	V6 3.1L		61R5Y	3722	37224	0.035
1991	L4 2.3L		N/A	N/A	N/A	
1991	L4 2.6L		N/A	N/A	N/A	
1991	V6 3.1L		61R5Y	3722	37224	0.035
1990-89	L4 2.3L		N/A	N/A	N/A	
1990-89	L4 2.6L		N/A	N/A	N/A	
1988	L4 2.3L		N/A	N/A	N/A	
1988	L4 2.6L		N/A	N/A	N/A	
1987-86	L4 1.9L		N/A	N/A	N/A	
1987-86	L4 2.2L		N/A	N/A	N/A	
1987-86	L4 2.3L		N/A	N/A	N/A	
1985-83	L4 1.9L		N/A	N/A	N/A	
1985-83	L4 2.2L		N/A	N/A	N/A	
1982-81	L4 1.8L		N/A	N/A	N/A	
1982-81	L4 2.2L		N/A	N/A	N/A	

Make Model Year	Engine Size	Notes:	Plug Type	MSD PN Single	MSD PN 4-Pack	Pre-Gap Setting**
<b>Rodeo</b>						
2004	V6 3.2L	Cyl. 6; 1 CPB Req	71R6Y *	3727	37274	0.043
2004	V6 3.2L	Cyls. 1-5; 5 CPBs Req	71R6Y *	3727	37274	0.043
2004	V6 3.5L	Cyl. 6; 1 CPB Req	71R6Y *	3727	37274	0.043
2004	V6 3.5L	Cyls. 1-5; 5 CPBs Req	71R6Y *	3727	37274	0.043
2003	L4 2.2L		71R6Y *	3727	37274	0.043
2003	V6 3.2L	Cyl. 6; 1 CPB Req	71R6Y *	3727	37274	0.043
2003	V6 3.2L	Cyls. 1-5; 5 CPBs Req	71R6Y *	3727	37274	0.043
2002-01	L4 2.2L		71R5Y	3725	37254	0.040
2002-01	V6 3.2L	Cyl. 6; 1 CPB Req	71R5Y	3725	37254	0.040
2002-01	V6 3.2L	Cyls. 1-5; 5 CPBs Req	71R5Y	3725	37254	0.040
2000	L4 2.2L		71R5Y	3725	37254	0.040
2000	V6 3.2L	Cyl. 6; 1 CPB Req	71R5Y	3725	37254	0.040
2000	V6 3.2L	Cyls. 1-5; 5 CPBs Req	71R5Y	3725	37254	0.040
1999-98	L4 2.2L		71R5Y	3725	37254	0.040
1999-98	V6 3.2L		71R5Y	3725	37254	0.040
1997	L4 2.6L		111R5Y	3733	37334	0.035
1997	V6 3.2L		71R5Y	3725	37254	0.040
1996	L4 2.6L		111R5Y	3733	37334	0.035
1996	V6 3.2L	To 11/95	71R5Y	3725	37254	0.040
1995-93	L4 2.6L		111R5Y	3733	37334	0.035
1995-93	V6 3.2L		71R6Y *	3727	37274	0.043
1992-91	L4 2.6L		111R5Y	3733	37334	0.035
1992-91	V6 3.1L		61R5Y	3722	37224	0.035
<b>Rodeo Sport</b>						
2003	L4 2.2L		71R6Y *	3727	37274	0.043
2003	V6 3.2L	Cyl. 6; 1 CPB Req	71R6Y *	3727	37274	0.043
2003	V6 3.2L	Cyls. 1-5; 5 CPBs Req	71R6Y *	3727	37274	0.043
2002	L4 2.2L		71R5Y	3725	37254	0.040
2002	V6 3.2L	Cyl. 6; 1 CPB Req	71R5Y	3725	37254	0.040
2002	V6 3.2L	Cyls. 1-5; 5 CPBs Req	71R5Y	3725	37254	0.040
2001	L4 2.2L		71R5Y	3725	37254	0.040
2001	V6 3.2L	Cyl. 6; 1 CPB Req	71R5Y	3725	37254	0.040
2001	V6 3.2L	Cyls. 1-5; 5 CPBs Req	71R5Y	3725	37254	0.040
<b>Stylus</b>						
1993	L4 1.6L		N/A	N/A	N/A	
1992	L4 1.6L		71R6Y *	3727	37274	0.043
1992	L4 1.8L		N/A	N/A	N/A	
1991	L4 1.6L	Vin 5, DOHC	71R6Y *	3727	37274	0.043
1991	L4 1.6L	Vin 5, SOHC	71R6Y *	3727	37274	0.043
1991	L4 1.6L	Vin 6, DOHC	N/A	N/A	N/A	
1991	L4 1.6L	Vin 6, SOHC	N/A	N/A	N/A	
<b>Trooper</b>						
2002	V6 3.5L	Cyl. 6; 1 CPB Req	71R5Y	3725	37254	0.040
2002	V6 3.5L	Cyls. 1-5; 5 CPBs Req	71R5Y	3725	37254	0.040
1999-98	V6 3.5L		71R5Y	3725	37254	0.040
1997	V6 3.2L		71R5Y	3725	37254	0.040
1996	V6 3.2L	LS	71R5Y	3725	37254	0.040
1996	V6 3.2L	S	71R5Y	3725	37254	0.040
1996	V6 3.2L	SE	71R5Y	3725	37254	0.040
1995-92	V6 3.2L	DOHC	71R6Y *	3727	37274	0.043
1995-92	V6 3.2L	SOHC	71R6Y *	3727	37274	0.043
1991-89	L4 2.6L		111R5Y	3733	37334	0.035
1991-89	V6 2.8L		61R5Y	3722	37224	0.035
1988	L4 2.6L		111R5Y	3733	37334	0.035
1987-86	L4 2.2L		N/A	N/A	N/A	
1987-86	L4 2.3L		N/A	N/A	N/A	
1985	L4 1.9L		N/A	N/A	N/A	
1984	L4 1.9L		N/A	N/A	N/A	
1984	L4 2.2L		N/A	N/A	N/A	
<b>Vehicross</b>						
2001-99	V6 3.5L		71R5Y	3725	37254	0.040



Make Model Year	Engine Size	Notes:	Plug Type	MSD PN Single	MSD PN 4-Pack	Pre-Gap Setting**
<b>Jaguar</b>						
<b>3.8</b>						
1966-60	L6 3.8L		11R5Y	3733	37334	0.035
<b>420</b>						
1967	L6 4.2L		11R5Y	3733	37334	0.035
<b>Mark X</b>						
1966-65	L6 4.2L		11R5Y	3733	37334	0.035
1964	L6 3.8L		11R5Y	3733	37334	0.035
1964	L6 4.2L		11R5Y	3733	37334	0.035
1963-62	L6 3.8L		11R5Y	3733	37334	0.035
<b>S-Type</b>						
2007	V8 4.2L	Naturally Aspirated	7IR5Y	3725	37254	0.040
2006	V6 3.0L		1IR6Y	3714	37144	0.043
2006	V8 4.2L		7IR5Y	3725	37254	0.040
2005	V6 3.0L	6 CPBs Req	1IR6Y	3714	37144	0.043
2005	V8 4.2L		7IR5Y	3725	37254	0.040
2004-03	V6 3.0L	6 CPBs Req	1IR6Y	3714	37144	0.043
2004-03	V8 4.2L		7IR5Y	3725	37254	0.040
2002	V6 3.0L	6 CPBs Req	1IR5Y	3713	37134	0.043
2002	V8 4.0L	8 CPBs Req	7IR5Y	3725	37254	0.040
2001	V6 3.0L	6 CPBs Req	1IR5Y	3713	37134	0.043
2001	V8 4.0L	8 CPBs Req	7IR5Y	3725	37254	0.040
2000	V6 3.0L	6 CPBs Req	1IR5Y	3713	37134	0.043
2000	V8 4.0L	8 CPBs Req	7IR5Y	3725	37254	0.040
<b>Super V8</b>						
2005	V8 4.2L		7IR5Y	3725	37254	0.040
<b>Vanden Plas</b>						
2005-04	V8 4.2L		7IR5Y	3725	37254	0.040
2003	V8 4.0L	Naturally Aspirated	7IR5Y	3725	37254	0.040
2003	V8 4.0L	Supercharged	7IR6Y *	3727	37274	0.043
1999-98	V8 4.0L		7IR5Y	3725	37254	0.040
1997	L6 4.0L		7IR5Y	3725	37254	0.040
1996-95	L6 4.0L		7IR6Y *	3727	37274	0.043
1994-90	L6 4.0L		7IR6Y *	3727	37274	0.043
1989-88	L6 3.6L		7IR6Y *	3727	37274	0.043
1987-82	L6 4.2L		11R5Y	3733	37334	0.035
<b>XJ</b>						
1971	L6 4.2L		11R5Y	3733	37334	0.035
1970-69	L6 4.2L		11R5Y	3733	37334	0.035
<b>XJ6</b>						
1997	L6 4.0L		7IR6Y *	3727	37274	0.043
1996-95	L6 4.0L		7IR6Y *	3727	37274	0.043
1994-90	L6 4.0L		7IR6Y *	3727	37274	0.043
1989-88	L6 3.6L		7IR6Y *	3727	37274	0.043
1987	L6 3.6L		7IR6Y *	3727	37274	0.043
1987	L6 4.2L		11R5Y	3733	37334	0.035
1986-72	L6 4.2L		11R5Y	3733	37334	0.035
<b>XJ8</b>						
2007-04	V8 4.2L		7IR5Y	3725	37254	0.040
2003	V8 4.0L		7IR5Y	3725	37254	0.040
1999-98	V8 4.0L		7IR5Y	3725	37254	0.040
<b>XJ12</b>						
1996-94	V12 6.0L		N/A	N/A	N/A	
1992-91	V12 5.3L		N/A	N/A	N/A	
1990-89	V12 5.3L		N/A	N/A	N/A	
1988-82	V12 5.3L		1IR5Y	3713	37134	0.043
1981	V12 5.3L		1IR5Y	3713	37134	0.043
1979-73	V12 5.3L		N/A	N/A	N/A	
<b>XJR</b>						
2006-04	V8 4.2L		7IR5Y	3725	37254	0.040
2003-98	V8 4.0L		7IR6Y *	3727	37274	0.043
1997	L6 4.0L		7IR5Y	3725	37254	0.040
1996-95	L6 4.0L		7IR6Y *	3727	37274	0.043
<b>XJRS</b>						
1993	V12 6.0L		N/A	N/A	N/A	

CPB's = Coil Plug Boots  
 \*\* Pre-gapped for optimal performance.

Make Model Year	Engine Size	Notes:	Plug Type	MSD PN Single	MSD PN 4-Pack	Pre-Gap Setting**
<b>XJS</b>						
1996	L6 4.0L		7IR6Y *	3727	37274	0.043
1995	L6 4.0L		7IR6Y *	3727	37274	0.043
1995	V12 6.0L		N/A	N/A	N/A	
1994	L6 4.0L		7IR6Y *	3727	37274	0.043
1994	V12 6.0L		N/A	N/A	N/A	
1993	L6 4.0L		7IR6Y *	3727	37274	0.043
1992	L6 4.0L		7IR6Y *	3727	37274	0.043
1992	V12 5.3L		N/A	N/A	N/A	
1991	V12 5.3L		N/A	N/A	N/A	
1990-89	V12 5.3L		N/A	N/A	N/A	
1988-82	V12 5.3L		1IR5Y	3713	37134	0.043
1981-80	V12 5.3L		1IR5Y	3713	37134	0.043
1979	V12 5.3L VinV		N/A	N/A	N/A	
1979	V12 5.3L Vin X		1IR5Y	3713	37134	0.043
1978	V12 5.3L		11R5Y	3733	37334	0.035
1977	V12 5.3L		1IR5Y	3713	37134	0.043
1976	V12 5.3L		N/A	N/A	N/A	
<b>XK8</b>						
2006-03	V8 4.2L		7IR5Y	3725	37254	0.040
1999-97	V8 4.0L		7IR5Y	3725	37254	0.040
<b>XK150</b>						
1961-58	L6 3.8L		11R5Y	3733	37334	0.035
<b>XKE</b>						
1974-72	V12 5.3L		N/A	N/A	N/A	
1971	L6 4.2L		11R5Y	3733	37334	0.035
1971	V12 5.3L		N/A	N/A	N/A	
1970-65	L6 4.2L		11R5Y	3733	37334	0.035
1964	L6 3.8L		11R5Y	3733	37334	0.035
1964	L6 4.2L		11R5Y	3733	37334	0.035
1963-61	L6 3.8L		11R5Y	3733	37334	0.035
<b>XKR</b>						
2006-04	V8 4.2L		7IR5Y	3725	37254	0.040
2003	V8 4.2L		7IR6Y *	3727	37274	0.043
<b>X-Type</b>						
2006	V6 3.0L		1IR6Y	3714	37144	0.043
2005	V6 2.5L		1IR6Y	3714	37144	0.043
2005	V6 3.0L		1IR6Y	3714	37144	0.043
2004-03	V6 2.5L		1IR6Y	3714	37144	0.043
2002	V6 2.5L		1IR6Y	3714	37144	0.043
2002	V6 3.0L		1IR5Y	3713	37134	0.043
<b>Jeep</b>						
<b>Cherokee</b>						
2001	L5 4.0L	6 CPBs Req	N/A	N/A	N/A	
2000	L4 2.5L		8IR5L	3728	37284	0.040
2000	L6 4.0L	6 CPBs Req	N/A	N/A	N/A	
1999	L4 2.5L		8IR5L	3728	37284	0.040
1999	L6 4.0L		N/A	N/A	N/A	
1998-91	L4 2.5L		8IR5L	3728	37284	0.040
1998-91	L6 4.0L		8IR5L	3728	37284	0.040
1990-87	L4 2.5L		8IR5L	3728	37284	0.040
1990-87	L6 4.0L		7IR5Y	3725	37254	0.040
1986	L4 2.5L		8IR5L	3728	37284	0.040
1986	V6 2.8L		6IR5Y	3722	37224	0.035
1985-84	L4 2.5L		N/A	N/A	N/A	
1985-84	V6 2.8L		6IR5Y	3722	37224	0.035
1983-81	L6 4.2L		N/A	N/A	N/A	
1983-81	V8 5.9L		11IR4Y	3731	37314	0.035
1980-79	L6 4.2L		11R5Y	3733	37334	0.035
1980-79	V8 5.9L		11IR4Y	3731	37314	0.035
1978	L6 4.2L		11R5Y	3733	37334	0.035
1978	V8 5.9L		11IR4Y	3731	37314	0.035
1978	V8 6.6L		11IR4Y	3731	37314	0.035
1977-74	L6 4.2L		11IR4Y	3731	37314	0.035
1977-74	V8 5.9L		11IR4Y	3731	37314	0.035
1977-74	V8 6.6L		11IR4Y	3731	37314	0.035

\* Short Style 6 Series - PN 3741 (single), PN 37414 (4pk) - Pre-gapped 0.035  
 \* Short Style 7 Series - PN 3742 (single), PN 37424 (4pk) - Pre-gapped 0.035



## Jeep CJ3

Make Model Year	Engine Size	Notes:	Plug Type	MSD PN Single	MSD PN 4-Pack	Pre-Gap Setting**
<b>CJ3</b>						
1966	V6 3.7L		15IR4Y	3738	37384	0.035
1960-59	L4 2.2L		15IR6	3740	37404	0.032
<b>CJ5</b>						
1983-82	L4 2.5L		6IR4Y	3720	37204	0.035
1983-82	L6 4.2L		N/A	N/A	N/A	
1981	L4 2.5L		6IR4Y	3720	37204	0.035
1981	L6 4.2L		N/A	N/A	N/A	
1981	V8 5.0L		11IR4Y	3731	37314	0.035
1980	L4 2.5L		6IR4Y	3720	37204	0.035
1980	L6 4.2L		11IR5Y	3733	37334	0.035
1980	V8 5.0L		11IR4Y	3731	37314	0.035
1979	L6 4.2L		11IR5Y	3733	37334	0.035
1979	V8 5.0L		11IR4Y	3731	37314	0.035
1978	L6 3.8L		11IR5Y	3733	37334	0.035
1978	L6 4.2L		11IR5Y	3733	37334	0.035
1978	V8 5.0L		11IR4Y	3731	37314	0.035
1977-72	L6 3.8L		11IR4Y	3731	37314	0.035
1977-72	L6 4.2L		11IR4Y	3731	37314	0.035
1977-72	V8 5.0L		11IR4Y	3731	37314	0.035
1971-68	L4 2.2L		15IR6	3740	37404	0.032
1971-68	V6 3.7L		15IR4Y	3738	37384	0.035
1967-66	V6 3.7L		15IR4Y	3738	37384	0.035
1960-59	L4 2.2L		15IR6	3740	37404	0.032
<b>CJ6</b>						
1975-72	L6 3.8L		11IR4Y	3731	37314	0.035
1975-72	L6 4.2L		11IR4Y	3731	37314	0.035
1975-72	V8 5.0L		11IR4Y	3731	37314	0.035
1971-68	L4 2.2L		15IR6	3740	37404	0.032
1971-68	V6 3.7L		15IR4Y	3738	37384	0.035
1967-66	V6 3.7L		15IR4Y	3738	37384	0.035
1960-59	L4 2.2L		15IR6	3740	37404	0.032
<b>CJ7</b>						
1986-84	L4 2.5L		N/A	N/A	N/A	
1986-84	L6 4.2L		N/A	N/A	N/A	
1983-82	L4 2.5L		6IR4Y	3720	37204	0.035
1983-82	L6 4.2L		N/A	N/A	N/A	
1981	L4 2.5L		6IR4Y	3720	37204	0.035
1981	L6 4.2L		N/A	N/A	N/A	
1981	V8 5.0L		11IR4Y	3731	37314	0.035
1980	L4 2.5L		6IR4Y	3720	37204	0.035
1980	L6 4.2L		11IR5Y	3733	37334	0.035
1980	V8 5.0L		11IR4Y	3731	37314	0.035
1979	L6 4.2L		11IR5Y	3733	37334	0.035
1979	V8 5.0L		11IR4Y	3731	37314	0.035
1978	L6 3.8L		11IR5Y	3733	37334	0.035
1978	L6 4.2L		11IR5Y	3733	37334	0.035
1978	V8 5.0L		11IR4Y	3731	37314	0.035
1977-76	L6 3.8L		11IR4Y	3731	37314	0.035
1977-76	L6 4.2L		11IR4Y	3731	37314	0.035
1977-76	V8 5.0L		11IR4Y	3731	37314	0.035
<b>Comanche</b>						
1992-91	L4 2.5L		8IR5L	3728	37284	0.040
1992-91	L6 4.0L		8IR5L	3728	37284	0.040
1990-87	L4 2.5L		8IR5L	3728	37284	0.040
1990-87	L6 4.0L		7IR5Y	3725	37254	0.040
1986	L4 2.5L		8IR5L	3728	37284	0.040
1986	V6 2.8L		6IR5Y	3722	37224	0.035
<b>Commander</b>						
2010	V6 3.7L		7IR6L	3726	37264	0.032
2010	V8 5.7L		9IR5L	3729	37294	0.040
2009	V6 3.7L		7IR6L	3726	37264	0.032
2009	V8 4.7L	Exhaust	9IR5Y	3730	37304	0.040
2009	V8 4.7L	Intake	9IR5L	3729	37294	0.040
2009	V8 5.7L		9IR5L	3729	37294	0.040
2008	V6 3.7L		7IR6L	3726	37264	0.032
2008	V8 4.7L	Exhaust	9IR5Y	3730	37304	0.040
2008	V8 4.7L	Intake	9IR5L	3729	37294	0.040

Make Model Year	Engine Size	Notes:	Plug Type	MSD PN Single	MSD PN 4-Pack	Pre-Gap Setting**
2008	V8 5.7L		5IR4L	3718	37184	0.040
2007-06	V6 3.7L		7IR6L	3726	37264	0.032
2007-06	V8 4.7L		7IR6L	3726	37264	0.032
2007-06	V8 5.7L		5IR4L	3718	37184	0.040
<b>Commando</b>						
1967	L4 2.2L		15IR6	3740	37404	0.032
1967	V6 3.7L		15IR4Y	3738	37384	0.035
1966	V6 3.7L		15IR4Y	3738	37384	0.035
<b>Compass</b>						
2013	L4 2.4L	ED3	N/A	N/A	N/A	
2013	L4 2.0L	ECN	N/A	N/A	N/A	
2012	L4 2.4L	ED3	N/A	N/A	N/A	
2012	L4 2.0L	ECN	N/A	N/A	N/A	
2011-10	L4 2.0L		N/A	N/A	N/A	
2011-10	L4 2.4L	Eng ED3	N/A	N/A	N/A	
2009	L4 2.0L		N/A	N/A	N/A	
2009	L4 2.4L	Eng ED3	N/A	N/A	N/A	
2009	L4 2.4L	Eng EDG	N/A	N/A	N/A	
2008-07	L4 2.0L		N/A	N/A	N/A	
2008-07	L4 2.4L		N/A	N/A	N/A	
<b>Dispatcher</b>						
1967-66	L4 2.2L		15IR6	3740	37404	0.032
1967-66	V6 3.7L		15IR4Y	3738	37384	0.035
1965-61	L4 2.2L		15IR6	3740	37404	0.032
<b>DJ3</b>						
1960-59	L4 2.2L		15IR6	3740	37404	0.032
<b>DJ5</b>						
1974	L6 3.8L		11IR4Y	3731	37314	0.035
1974	L6 4.2L		11IR4Y	3731	37314	0.035
1974	V8 5.0L		11IR4Y	3731	37314	0.035
1973	L6 3.8L		11IR4Y	3731	37314	0.035
1973	L6 4.2L		11IR4Y	3731	37314	0.035
1972	L6 3.8L		11IR4Y	3731	37314	0.035
1971	L4 2.2L		15IR6	3740	37404	0.032
1970-67	L4 2.2L		15IR6	3740	37404	0.032
1970-67	V6 3.7L		15IR4Y	3738	37384	0.035
1966	V6 3.7L		15IR4Y	3738	37384	0.035
<b>DJ6</b>						
1968-66	V6 3.7L		15IR4Y	3738	37384	0.035
<b>FC150</b>						
1966	L4 2.2L		15IR6	3740	37404	0.032
1966	V6 3.7L		15IR4Y	3738	37384	0.035
1965-62	L4 2.2L		15IR6	3740	37404	0.032
1965-62	L6 3.7L		15IR6	3740	37404	0.032
1961-60	L4 2.2L		15IR6	3740	37404	0.032
<b>FC170</b>						
1966	L4 2.2L		15IR6	3740	37404	0.032
1966	L6 3.7L		15IR4Y	3738	37384	0.035
1965-63	L4 2.2L		15IR6	3740	37404	0.032
1965-63	L6 3.7L		15IR6	3740	37404	0.032
<b>Gladiator</b>						
1967-65	L6 3.8L	OHV	11IR4Y	3731	37314	0.035
1967-65	L6 3.8L	SOHC	13IR5Y	3735	37354	0.032
1967-65	V8 5.3L		15IR6	3740	37404	0.032
1964-63	L6 3.8L		13IR5Y	3735	37354	0.032
<b>Grand Cherokee</b>						
2013	V8 6.4L	VIN - ESG	5IR5Y	3719	37194	0.040
2013	V6 3.6L	VIN - ERB	N/A	N/A	N/A	
2013	V8 5.7L	VIN - EZH	9IR5Y	3730	37304	0.040
2012	V8 6.4L	VIN - ESG	5IR5Y	3719	37194	0.040
2012	V6 3.6L	VIN - ERB	N/A	N/A	N/A	
2012	V8 5.7L	VIN - EZH	9IR5Y	3730	37304	0.040
2011	V8 5.7L		9IR5L	3729	37294	0.040
2010	V6 3.7L		7IR6L	3726	37264	0.032
2010	V8 5.7L		9IR5L	3729	37294	0.040
2010	V8 6.1L		5IR5Y	3719	37194	0.040
2009	V6 3.7L		7IR6L	3726	37264	0.032
2009	V8 4.7L	Exhaust	9IR5Y	3730	37304	0.040





Make Model Year	Engine Size	Notes:	Plug Type	MSD PN Single	MSD PN 4-Pack	Pre-Gap Setting**
2009	V8 4.7L	Intake	9IR5L	3729	37294	0.040
2009	V8 5.7L		9IR5L	3729	37294	0.040
2009	V8 6.1L		5IR5Y	3719	37194	0.040
2008	V6 3.7L		7IR6L	3726	37264	0.032
2008	V8 4.7L	Exhaust	9IR5Y	3730	37304	0.040
2008	V8 4.7L	Intake	9IR5L	3729	37294	0.040
2008	V8 5.7L		5IR4L	3718	37184	0.040
2008	V8 6.1L		5IR5Y	3719	37194	0.040
2007	V6 3.7L		7IR6L	3726	37264	0.032
2007	V8 4.7L		7IR6L	3726	37264	0.032
2007	V8 5.7L		5IR4L	3718	37184	0.040
2007	V8 6.1L		5IR5Y	3719	37194	0.040
2006	V6 3.7L		7IR6L	3726	37264	0.032
2006	V8 4.7L		7IR6L	3726	37264	0.032
2006	V8 5.7L		5IR4L	3718	37184	0.040
2006	V8 6.1L		5IR5Y	3719	37194	0.040
2005	V6 3.7L		7IR6L	3726	37264	0.032
2005	V8 4.7L		7IR6L	3726	37264	0.032
2005	V8 5.7L	8 CPBs Req	5IR4L	3718	37184	0.040
2004-03	L6 4.0L	6 CPBs Req	N/A	N/A	N/A	
2004-03	V8 4.7L	Vin J	7IR6Y *	3727	37274	0.043
2004-03	V8 4.7L	Vin N	7IR6L	3726	37264	0.032
2002	L6 4.0L	6 CPBs Req	N/A	N/A	N/A	
2002	V8 4.7L	Vin J	7IR6Y *	3727	37274	0.043
2002	V8 4.7L	Vin N	7IR6L	3726	37264	0.032
2001-99	L6 4.0L	6 CPBs Req	N/A	N/A	N/A	
2001-99	V8 4.7L		7IR6L	3726	37264	0.032
1998	L6 4.0L		8IR5L	3728	37284	0.040
1998	V8 5.2L		8IR5L	3728	37284	0.040
1998	V8 5.9L		8IR5L	3728	37284	0.040
1997	L6 4.0L		8IR5L	3728	37284	0.040
1997	V8 5.2L		8IR5L	3728	37284	0.040
1996-93	L6 4.0L		8IR5L	3728	37284	0.040
1996-93	V8 5.2L		7IR4Y	3724	37244	0.040
<b>Grand Wagoneer</b>						
1993	V8 5.2L		7IR4Y	3724	37244	0.040
1991-87	V8 5.9L		11IR4Y	3731	37314	0.035
1986-84	L6 4.2L		N/A	N/A	N/A	
1986-84	V8 5.9L		11IR4Y	3731	37314	0.035
<b>J10</b>						
1988	V8 5.9L		11IR4Y	3731	37314	0.035
1987-81	L6 4.2L		N/A	N/A	N/A	
1987-81	V8 5.9L		11IR4Y	3731	37314	0.035
1980-79	L6 4.2L		11IR5Y	3733	37334	0.035
1980-79	V8 5.9L		11IR4Y	3731	37314	0.035
1978	L6 4.2L		11IR5Y	3733	37334	0.035
1978	V8 5.9L		11IR4Y	3731	37314	0.035
1978	V8 6.6L		11IR4Y	3731	37314	0.035
1977-74	L6 4.2L		11IR4Y	3731	37314	0.035
1977-74	V8 5.9L		11IR4Y	3731	37314	0.035
1977-74	V8 6.6L		11IR4Y	3731	37314	0.035
<b>J20</b>						
1988-79	V8 5.9L		11IR4Y	3731	37314	0.035
1978-77	V8 5.9L		11IR4Y	3731	37314	0.035
1978-77	V8 6.6L		11IR4Y	3731	37314	0.035
1976	L6 4.2L		11IR4Y	3731	37314	0.035
1976	V8 5.9L		11IR4Y	3731	37314	0.035
1976	V8 6.6L		11IR4Y	3731	37314	0.035
1975	V8 5.9L		11IR4Y	3731	37314	0.035
1975	V8 6.6L		11IR4Y	3731	37314	0.035
1974	L6 4.2L		11IR4Y	3731	37314	0.035
1974	V8 5.9L		11IR4Y	3731	37314	0.035
1974	V8 6.6L		11IR4Y	3731	37314	0.035
<b>J100</b>						
1971-69	L6 3.8L		11IR4Y	3731	37314	0.035
1971-69	V8 5.7L		6IR4Y	3720	37204	0.035
1968	L6 3.8L		11IR4Y	3731	37314	0.035
1968	V8 5.4L		15IR6	3740	37404	0.032

Make Model Year	Engine Size	Notes:	Plug Type	MSD PN Single	MSD PN 4-Pack	Pre-Gap Setting**
1967-65	L6 3.8L	OHV	11IR4Y	3731	37314	0.035
1967-65	L6 3.8L	SOHC	13IR5Y	3735	37354	0.032
1967-65	V8 5.3L		15IR6	3740	37404	0.032
1964-63	L6 3.8L		13IR5Y	3735	37354	0.032
<b>J-2500</b>						
1973	L6 4.2L		11IR4Y	3731	37314	0.035
1973	V8 5.9L		11IR4Y	3731	37314	0.035
1972	L6 4.2L		11IR4Y	3731	37314	0.035
1972	V8 5.0L		11IR4Y	3731	37314	0.035
1972	V8 5.9L		11IR4Y	3731	37314	0.035
1971-69	L6 3.8L		11IR4Y	3731	37314	0.035
1971-69	V8 5.7L		6IR4Y	3720	37204	0.035
1968	L6 3.8L		11IR4Y	3731	37314	0.035
1968	V8 5.4L		15IR6	3740	37404	0.032
1967-65	V8 5.3L		15IR6	3740	37404	0.032
<b>J-2600</b>						
1973	L6 4.2L		11IR4Y	3731	37314	0.035
1973	V8 5.9L		11IR4Y	3731	37314	0.035
1972	L6 4.2L		11IR4Y	3731	37314	0.035
1972	V8 5.0L		11IR4Y	3731	37314	0.035
1972	V8 5.9L		11IR4Y	3731	37314	0.035
1970-69	L6 3.8L		11IR4Y	3731	37314	0.035
1970-69	V8 5.7L		6IR4Y	3720	37204	0.035
1968	L6 3.8L		11IR4Y	3731	37314	0.035
1968	V8 5.4L		15IR6	3740	37404	0.032
<b>J-2700</b>						
1970	V8 5.7L		6IR4Y	3720	37204	0.035
1969	L6 3.8L		11IR4Y	3731	37314	0.035
1969	V8 5.7L		6IR4Y	3720	37204	0.035
1968	L6 3.8L		11IR4Y	3731	37314	0.035
1968	V8 5.4L		15IR6	3740	37404	0.032
<b>J-2800</b>						
1968	V8 5.4L		15IR6	3740	37404	0.032
<b>J-3500</b>						
1970-69	L6 3.8L		11IR4Y	3731	37314	0.035
1970-69	V8 5.7L		6IR4Y	3720	37204	0.035
1968	L6 3.8L		11IR4Y	3731	37314	0.035
1968	V8 5.4L		15IR6	3740	37404	0.032
<b>J-3600</b>						
1970-69	L6 3.8L		11IR4Y	3731	37314	0.035
1970-69	V8 5.7L		6IR4Y	3720	37204	0.035
1968	L6 3.8L		11IR4Y	3731	37314	0.035
1968	V8 5.4L		15IR6	3740	37404	0.032
<b>J-3700</b>						
1970-69	L6 3.8L		11IR4Y	3731	37314	0.035
1970-69	V8 5.7L		6IR4Y	3720	37204	0.035
1968	L6 3.8L		11IR4Y	3731	37314	0.035
1968	V8 5.4L		15IR6	3740	37404	0.032
<b>J-3800</b>						
1970-69	V8 5.7L		6IR4Y	3720	37204	0.035
1968	L6 3.8L		11IR4Y	3731	37314	0.035
1968	V8 5.4L		15IR6	3740	37404	0.032
<b>Jeepster</b>						
1973-72	L6 3.8L		11IR4Y	3731	37314	0.035
1973-72	L6 4.2L		11IR4Y	3731	37314	0.035
1973-72	V8 5.0L		11IR4Y	3731	37314	0.035
1971-67	L4 2.2L		15IR6	3740	37404	0.032
1971-67	V6 3.7L		15IR4Y	3738	37384	0.035
1966	V6 3.7L		15IR4Y	3738	37384	0.035
<b>Liberty</b>						
2012	V6 3.7L		7IR6L	3726	37264	0.032
2011-06	V6 3.7L		7IR6L	3726	37264	0.032
2005	L4 2.4L		5IR4L	3718	37184	0.040
2005	V6 3.7L		7IR6L	3726	37264	0.032
2004	L4 2.4L		5IR4L	3718	37184	0.040
2004	V6 3.7L		7IR6L	3726	37264	0.032
2003-02	L4 2.4L		5IR4L	3718	37184	0.040
2003-02	V6 3.7L		7IR6L	3726	37264	0.032

CPB's = Coil Plug Boots  
 \*\* Pre-gapped for optimal performance.

\* Short Style 6 Series - PN 3741 (single), PN 37414 (4pk) - Pre-gapped 0.035  
 \* Short Style 7 Series - PN 3742 (single), PN 37424 (4pk) - Pre-gapped 0.035



## Jeep Patriot

Make Model Year	Engine Size	Notes:	Plug Type	MSD PN Single	MSD PN 4-Pack	Pre-Gap Setting**
<b>Patriot</b>						
2013	L4 2.4L	ED3	N/A	N/A	N/A	
2013	L4 2.0L	ECN	N/A	N/A	N/A	
2012	L4 2.4L	ED3	N/A	N/A	N/A	
2012	L4 2.0L	ECN	N/A	N/A	N/A	
2011-10	L4 2.0L		N/A	N/A	N/A	
2011-10	L4 2.4L	Eng ED3	N/A	N/A	N/A	
2009	L4 2.0L		N/A	N/A	N/A	
2009	L4 2.4L	Eng ED3	N/A	N/A	N/A	
2009	L4 2.4L	Eng EDG	N/A	N/A	N/A	
2008-07	L4 2.0L		N/A	N/A	N/A	
2008-07	L4 2.4L		N/A	N/A	N/A	
<b>Scrambler</b>						
1985-84	L4 2.5L		N/A	N/A	N/A	
1985-84	L6 4.2L		N/A	N/A	N/A	
1983-81	L4 2.5L		6IR4Y	3720	37204	0.035
1983-81	L6 4.2L		N/A	N/A	N/A	
<b>TJ</b>						
2006-05	L4 2.4L		5IR4L	3718	37184	0.040
2006-05	L6 4.0L	6 CPBs Req	N/A	N/A	N/A	
2004	L6 4.0L	6 CPBs Req	N/A	N/A	N/A	
2003	L4 2.4L		5IR4L	3718	37184	0.040
2003	L6 4.0L	6 CPBs Req	N/A	N/A	N/A	
2002	L4 2.5L		N/A	N/A	N/A	
2002	L6 4.0L	6 CPBs Req	N/A	N/A	N/A	
1999-97	L4 2.5L		N/A	N/A	N/A	
1999-97	L6 4.0L		N/A	N/A	N/A	
<b>Tornado</b>						
1962	L6 3.8L		13IR5Y	3735	37354	0.032
<b>Universal</b>						
1967-66	L4 2.2L		15IR6	3740	37404	0.032
1967-66	V6 3.7L		15IR4Y	3738	37384	0.035
1965-61	L4 2.2L		15IR6	3740	37404	0.032
<b>Utility</b>						
1962-61	L4 2.2L		15IR6	3740	37404	0.032
<b>Wagoneer</b>						
1990-88	L6 4.0L		7IR5Y	3725	37254	0.040
1987	L4 2.5L		8IR5L	3728	37284	0.040
1987	L6 4.0L		7IR5Y	3725	37254	0.040
1986	L4 2.5L		8IR5L	3728	37284	0.040
1986	V6 2.8L		6IR5Y	3722	37224	0.035
1985-84	L4 2.5L		N/A	N/A	N/A	
1985-84	V6 2.8L		6IR5Y	3722	37224	0.035
1983-80	L6 4.2L		N/A	N/A	N/A	
1983-80	V8 5.9L		11IR4Y	3731	37314	0.035
1979	V8 5.9L		11IR4Y	3731	37314	0.035
1978-74	V8 5.9L		11IR4Y	3731	37314	0.035
1978-74	V8 6.6L		11IR4Y	3731	37314	0.035
1973-72	L6 4.2L		11IR4Y	3731	37314	0.035
1973-72	V8 5.9L		11IR4Y	3731	37314	0.035
1971	L6 3.8L		11IR4Y	3731	37314	0.035
1971	V8 5.7L		6IR4Y	3720	37204	0.035
1967-65	L6 3.8L		13IR5Y	3735	37354	0.032
1967-65	V8 5.3L		15IR6	3740	37404	0.032
1964-63	L6 3.8L		13IR5Y	3735	37354	0.032
<b>Wrangler</b>						
2013	V6 3.6L	VIN - ERB	N/A	N/A	N/A	
2012	V6 3.6L	VIN - ERB	N/A	N/A	N/A	
2011-07	V6 3.8L		5IR5Y	3719	37194	0.040
2006	L4 2.4L		5IR4L	3718	37184	0.040
2006	L6 4.0L	6 CPBs Req	N/A	N/A	N/A	
2005	L4 2.4L		5IR4L	3718	37184	0.040
2005	L6 4.0L	6 CPBs Req	N/A	N/A	N/A	
2004	L4 2.4L		5IR4L	3718	37184	0.040
2004	L6 4.0L	6 CPBs Req	N/A	N/A	N/A	
2003	L4 2.4L		5IR4L	3718	37184	0.040
2003	L6 4.0L	6 CPBs Req	N/A	N/A	N/A	
2002	L4 2.5L		8IR5L	3728	37284	0.040
2002	L6 4.0L	6 CPBs Req	N/A	N/A	N/A	

Make Model Year	Engine Size	Notes:	Plug Type	MSD PN Single	MSD PN 4-Pack	Pre-Gap Setting**
1999	L4 2.5L		8IR5L	3728	37284	0.040
1999	L6 4.0L		N/A	N/A	N/A	
1998-97	L4 2.5L		8IR5L	3728	37284	0.040
1998-97	L6 4.0L		8IR5L	3728	37284	0.040
1995-91	L4 2.5L		8IR5L	3728	37284	0.040
1995-91	L6 4.0L		8IR5L	3728	37284	0.040
1990-87	L4 2.5L		8IR5L	3728	37284	0.040
1990-87	L6 4.2L		N/A	N/A	N/A	

## Jensen

### Healey

1976-72	L4 2.0L		N/A	N/A	N/A	
---------	---------	--	-----	-----	-----	--

### Interceptor

1976-73	V8 7.2L		15IR5Y	3739	37394	0.035
1972	V8 6.3L		15IR5Y	3739	37394	0.035
1972	V8 7.2L		15IR5Y	3739	37394	0.035
1971-70	V8 6.3L		15IR5Y	3739	37394	0.035

## Kia

### Amanti

2009-07	V6 3.8L		7IR5Y	3725	37254	0.040
2006-04	V6 3.5L	3 CPBs Req	7IR5Y	3725	37254	0.040

### Borrego

2010	V6 3.8L		N/A	N/A	N/A	
2010	V8 4.6L		9IR5Y	3730	37304	0.040
2009	V6 3.8L	From Prod. Date 5/1/08	N/A	N/A	N/A	
2009	V6 3.8L	Up to 5/1/08 Production Date	9IR5Y	3730	37304	0.040
2009	V8 4.6L		9IR5Y	3730	37304	0.040

### Forte

2011-10	L4 2.0L		9IR5Y	3730	37304	0.040
2011-10	L4 2.4L		9IR5Y	3730	37304	0.040

### Magentis

2010-09	L4 2.4L		9IR5Y	3730	37304	0.040
2010-09	V6 2.7L		9IR5Y	3730	37304	0.040
2008-07	L4 2.4L		7IR5Y	3725	37254	0.040
2008-07	V6 2.7L		9IR5Y	3730	37304	0.040
2006-02	L4 2.4L	2 CPBs Req	11IR5Y	3733	37334	0.035
2006-02	V6 2.7L		7IR5Y	3725	37254	0.040
2001	L4 2.4L		11IR5Y	3733	37334	0.035
2001	L4 2.4L	2 CPBs Req	11IR5Y	3733	37334	0.035
2001	V6 2.5L		7IR5Y	3725	37254	0.040

### Optima

2010-09	L4 2.4L		9IR5Y	3730	37304	0.040
2010-09	V6 2.7L		9IR5Y	3730	37304	0.040
2008-07	L4 2.4L		7IR5Y	3725	37254	0.040
2008-07	V6 2.7L		9IR5Y	3730	37304	0.040
2006	L4 2.4L	Vin 3	7IR5Y	3725	37254	0.040
2006	L4 2.4L	Vin 6,	11IR5Y	3733	37334	0.035
2006	L4 2.4L	Vin 6, 2 CPBs Req	11IR5Y	3733	37334	0.035
2006	V6 2.7L	Vin 4	9IR5Y	3730	37304	0.040
2006	V6 2.7L	Vin 8	7IR5Y	3725	37254	0.040
2005-02	L4 2.4L		11IR5Y	3733	37334	0.035
2005-02	L4 2.4L	2 CPBs Req	11IR5Y	3733	37334	0.035
2005-02	V6 2.7L		7IR5Y	3725	37254	0.040
2001	L4 2.4L		11IR5Y	3733	37334	0.035
2001	L4 2.4L	2 CPBs Req	11IR5Y	3733	37334	0.035
2001	V6 2.5L		7IR5Y	3725	37254	0.040

### Rio

2011-06	L4 1.6L		7IR5Y	3725	37254	0.040
2005-03	L4 1.6L		7IR6Y *	3727	37274	0.043
2002-01	L4 1.5L		7IR6Y *	3727	37274	0.043

### Rio5

2011-06	L4 1.6L		7IR5Y	3725	37254	0.040
---------	---------	--	-------	------	-------	-------



Make Model Year	Engine Size	Notes:	Plug Type	MSD PN Single	MSD PN 4-Pack	Pre-Gap Setting**
<b>Rondo</b>						
2010-09	L4 2.4L		9IR5Y	3730	37304	0.040
2010-09	V6 2.7L		9IR5Y	3730	37304	0.040
2008-07	L4 2.4L		7IR5Y	3725	37254	0.040
2008-07	V6 2.7L		9IR5Y	3730	37304	0.040
<b>Sedona</b>						
2012-11	V6 3.5L		N/A	N/A	N/A	
2010-06	V6 3.8L		7IR5Y	3725	37254	0.040
2005-02	V6 3.5L		7IR5Y	3725	37254	0.040
2005-02	V6 3.5L	3 CPBs Req	7IR5Y	3725	37254	0.040
<b>Sephia</b>						
2001-98	L4 1.8L		7IR6Y *	3727	37274	0.043
2001-98	L4 1.8L	2 CPBs Req	7IR6Y *	3727	37274	0.043
1997-96	L4 1.6L	DOHC	7IR5Y	3725	37254	0.040
1997-96	L4 1.8L		7IR5Y	3725	37254	0.040
1995	L4 1.6L	Vin 1 DOHC	11IR5Y	3733	37334	0.035
1995	L4 1.6L	Vin 1 SOHC	11IR5Y	3733	37334	0.035
1995	L4 1.6L	Vin 3, DOHC	7IR5Y	3725	37254	0.040
1995	L4 1.6L	Vin 3, SOHC	7IR5Y	3725	37254	0.040
1995	L4 1.8L		7IR5Y	3725	37254	0.040
1994	L4 1.6L		11IR5Y	3733	37334	0.035
<b>Sorento</b>						
2012	L4 2.4L	Vin 1	9IR5Y	3730	37304	0.040
2012	V6 3.5L		N/A	N/A	N/A	
2011	L4 2.4L		9IR5Y	3730	37304	0.040
2011	V6 3.5L		N/A	N/A	N/A	
2009-08	V6 3.3L		7IR5Y	3725	37254	0.040
2009-08	V6 3.8L		7IR5Y	3725	37254	0.040
2007	V6 3.8L		7IR5Y	3725	37254	0.040
2006-03	V6 3.5L		7IR5Y	3725	37254	0.040
2006-03	V6 3.5L	3 CPBs Req	7IR5Y	3725	37254	0.040
<b>Soul</b>						
2011	L4 2.0L		N/A	N/A	N/A	
2010	L4 2.0L		N/A	N/A	N/A	
<b>Spectra</b>						
2009-08	L4 2.0L		N/A	N/A	N/A	
2007-05	L4 2.0L		7IR5Y	3725	37254	0.040
2004	L4 1.8L		7IR6Y *	3727	37274	0.043
2004	L4 1.8L	2 CPBs Req	7IR6Y *	3727	37274	0.043
2004	L4 2.0L		7IR5Y	3725	37254	0.040
2003	L4 1.8L		7IR6Y *	3727	37274	0.043
2003	L4 1.8L	2 CPBs Req	7IR6Y *	3727	37274	0.043
<b>Spectra5</b>						
2009-08	L4 2.0L		7IR5Y	3725	37254	0.040
2007-05	L4 2.0L		7IR5Y	3725	37254	0.040
<b>Sportage</b>						
2011	L4 2.4L		9IR5Y	3730	37304	0.040
2010-05	L4 2.0L		7IR5Y	3725	37254	0.040
2010-05	V6 2.7L		7IR5Y	3725	37254	0.040
2002-96	L4 2.0L		7IR6Y *	3727	37274	0.043
2002-96	L4 2.0L	2 CPBs Req	7IR6Y *	3727	37274	0.043
1995	L4 2.0L	Vin 1, DOHC,	7IR5Y	3725	37254	0.040
1995	L4 2.0L	Vin 1, SOHC	7IR5Y	3725	37254	0.040
1995	L4 2.0L	Vin 3, DOHC,	7IR6Y *	3727	37274	0.043
1995	L4 2.0L	Vin 3, SOHC	7IR6Y *	3727	37274	0.043
1995	L4 2.0L	Vin 1, DOHC, 2 CPBs Req	7IR5Y	3725	37254	0.040
1995	L4 2.0L	Vin 3, DOHC, 2 CPBs Req	7IR6Y *	3727	37274	0.043
<b>Lada</b>						
<b>1300</b>						
1983	L4 1.3L		N/A	N/A	N/A	
<b>Niva</b>						
1993-84	L4 1.6L		N/A	N/A	N/A	
<b>Samara</b>						
1993-88	L4 1.3L		N/A	N/A	N/A	
1993-88	L4 1.5L		N/A	N/A	N/A	

CPB's = Coil Plug Boots  
 \*\* Pre-gapped for optimal performance.

Make Model Year	Engine Size	Notes:	Plug Type	MSD PN Single	MSD PN 4-Pack	Pre-Gap Setting**
<b>Signet</b>						
1993-88	L4 1.5L		N/A	N/A	N/A	
1987-84	L4 1.3L		N/A	N/A	N/A	
1987-84	L4 1.5L		N/A	N/A	N/A	
<b>Lamborghini</b>						
<b>350GT</b>						
1966-64	V12 3.5L		N/A	N/A	N/A	
<b>400GT</b>						
1968	V12 4.0L		N/A	N/A	N/A	
<b>Countach</b>						
1989-86	V12 5.2L		N/A	N/A	N/A	
1985	V12 4.8L		N/A	N/A	N/A	
1985	V12 5.2L		N/A	N/A	N/A	
1984-83	V12 4.8L		N/A	N/A	N/A	
1982	V12 3.9L		N/A	N/A	N/A	
1982	V12 4.8L		N/A	N/A	N/A	
1981	V12 3.9L		N/A	N/A	N/A	
1976-74	V12 3.9L		N/A	N/A	N/A	
<b>Diablo</b>						
2000-99	V12 5.7L		N/A	N/A	N/A	
1998	V12 5.7L vt		N/A	N/A	N/A	
1997	V12 5.7L		N/A	N/A	N/A	
1996-92	V12 5.7L		N/A	N/A	N/A	
1991	V12 5.7L		N/A	N/A	N/A	
1990	V12 5.7L		N/A	N/A	N/A	
<b>Espada</b>						
1978-68	V12 4.0L		N/A	N/A	N/A	
<b>Islero</b>						
1970-68	V12 4.0L		N/A	N/A	N/A	
<b>Jalpa</b>						
1988-82	V8 3.5L		N/A	N/A	N/A	
<b>Jarama</b>						
1976-70	V12 4.0L		N/A	N/A	N/A	
<b>LM002</b>						
1990-86	V12 5.2L		N/A	N/A	N/A	
<b>Miura</b>						
1972-68	V12 4.0L		N/A	N/A	N/A	
<b>Silhouette</b>						
1977-76	V8 3.0L		N/A	N/A	N/A	
<b>Urraco</b>						
1976-74	V8 2.0L		N/A	N/A	N/A	
1976-74	V8 2.5L		N/A	N/A	N/A	
1976-74	V8 3.0L		N/A	N/A	N/A	
<b>Lancia</b>						
<b>Beta</b>						
1981	L4 2.0L		N/A	N/A	N/A	
1979	L4 2.0L		N/A	N/A	N/A	
1978-76	L4 1.8L		N/A	N/A	N/A	
<b>Zagato</b>						
1982-81	L4 2.0L		N/A	N/A	N/A	
1979	L4 2.0L		N/A	N/A	N/A	
<b>Land Rover</b>						
<b>Defender 90</b>						
1997	V8 4.0L		11IR5Y	3733	37334	0.035
1995-94	V8 3.9L		11IR5Y	3733	37334	0.035
<b>Defender 110</b>						
1993	V8 3.9L		11IR5Y	3733	37334	0.035
<b>Discovery</b>						
2004-03	V8 4.6L		11IR5Y	3733	37334	0.035
2002	V8 4.0L		7IR6Y *	3727	37274	0.043
1999	V8 4.0L	4th digit of VIN: "J" SD, w/DIS System	N/A	N/A	N/A	
1999	V8 4.0L	4th digit of VIN: "J" SD, w/DIS System	N/A	N/A	N/A	
1999	V8 4.0L	4th digit of VIN: "J" Series II, Exc. DIS Sys	N/A	N/A	N/A	

\* Short Style 6 Series - PN 3741 (single), PN 37414 (4pk) - Pre-gapped 0.035  
 \* Short Style 7 Series - PN 3742 (single), PN 37424 (4pk) - Pre-gapped 0.035



**Land Rover Discovery continued**

Make Model Year	Engine Size	Notes:	Plug Type	MSD PN Single	MSD PN 4-Pack	Pre-Gap Setting**
1999	V8 4.0L	4th digit of VIN: *T* SD, w/DIS System	7IR6Y *	3727	37274	0.043
1999	V8 4.0L	4th digit of VIN: *T* SE7, w/DIS System	7IR6Y *	3727	37274	0.043
1999	V8 4.0L	4th digit of VIN: *T* Series II, Exc. DIS Sys	7IR6Y *	3727	37274	0.043
1998-96	V8 4.0L		N/A	N/A	N/A	
1995-94	V8 3.9L		N/A	N/A	N/A	
<b>Freelander</b>						
2005-02	V6 2.5L	3 CPBs Req	7IR6Y *	3727	37274	0.043
<b>LR2</b>						
2011-08	L6 3.2L		N/A	N/A	N/A	
<b>LR3</b>						
2009	V8 4.4L		7IR5Y	3725	37254	0.040
2008-05	V6 4.0L		2IR5L	3715	37154	0.043
2008-05	V8 4.4L		7IR5Y	3725	37254	0.040
<b>Range Rover</b>						
2009-06	V8 4.2L		7IR5Y	3725	37254	0.040
2009-06	V8 4.4L		7IR5Y	3725	37254	0.040
2005-03	V8 4.4L		7IR6Y *	3727	37274	0.043
2002-01	V8 4.6L		11IR5Y	3733	37334	0.035
2000-99	V8 4.0L		11IR5Y	3733	37334	0.035
2000-99	V8 4.6L		11IR5Y	3733	37334	0.035
1998-96	V8 4.0L		11IR5Y	3733	37334	0.035
1998-96	V8 4.6L		11IR5Y	3733	37334	0.035
1995	V8 3.9L		11IR5Y	3733	37334	0.035
1995	V8 4.0L		11IR5Y	3733	37334	0.035
1995	V8 4.2L		11IR5Y	3733	37334	0.035
1994	V8 3.9L		11IR5Y	3733	37334	0.035
1994	V8 4.2L		11IR5Y	3733	37334	0.035
1993	V8 3.9L		11IR5Y	3733	37334	0.035
1993	V8 4.2L		11IR5Y	3733	37334	0.035
1992-89	V8 3.9L		11IR5Y	3733	37334	0.035
1988-87	V8 3.5L		11IR5Y	3733	37334	0.035
<b>Range Rover Sport</b>						
2009-06	V8 4.2L		7IR5Y	3725	37254	0.040
2009-06	V8 4.4L		7IR5Y	3725	37254	0.040
<b>Lexus</b>						
<b>ES250</b>						
1991-90	V6 2.5L		7IR6Y *	3727	37274	0.043
<b>ES300</b>						
2003-02	V6 3.0L		7IR6Y *	3727	37274	0.043
2001-99	V6 3.0L		7IR6Y *	3727	37274	0.043
2001-99	V6 3.0L	3 CPBs Req	7IR6Y *	3727	37274	0.043
1998-96	V6 3.0L		7IR6Y *	3727	37274	0.043
1998-96	V6 3.0L	3 CPBs Req	7IR6Y *	3727	37274	0.043
1995-94	V6 3.0L	6 CPBs Req	7IR6Y *	3727	37274	0.043
1993-92	V6 3.0L		7IR6Y *	3727	37274	0.043
<b>ES330</b>						
2006-04	V6 3.3L		7IR6Y *	3727	37274	0.043
<b>ES350</b>						
2011-07	V6 3.5L		N/A	N/A	N/A	
<b>GS300</b>						
2006	V6 3.0L		N/A	N/A	N/A	
2005-04	L6 3.0L		7IR6Y *	3727	37274	0.043
2005-04	L6 3.0L	3 CPBs Req	7IR6Y *	3727	37274	0.043
2003	L6 3.0L		7IR6Y *	3727	37274	0.043
2003	L6 3.0L	3 CPBs Req	7IR6Y *	3727	37274	0.043
2002-01	L6 3.0L		7IR6Y *	3727	37274	0.043
2002-01	L6 3.0L	3 CPBs Req	7IR6Y *	3727	37274	0.043
2000-98	L6 3.0L		7IR5Y	3725	37254	0.040
2000-98	L6 3.0L	3 CPBs Req	7IR5Y	3725	37254	0.040
1997-96	L6 3.0L		7IR5Y	3725	37254	0.040
1995-94	L6 3.0L		7IR5Y	3725	37254	0.040
1993	L6 3.0L		7IR6Y *	3727	37274	0.043
<b>GS 350</b>						
2011-07	V6 3.5L		N/A	N/A	N/A	

Make Model Year	Engine Size	Notes:	Plug Type	MSD PN Single	MSD PN 4-Pack	Pre-Gap Setting**
<b>GS400</b>						
2000-98	V8 4.0L		7IR6Y *	3727	37274	0.043
<b>GS430</b>						
2007-06	V8 4.3L		7IR6Y *	3727	37274	0.043
2005-01	V8 4.3L		7IR6Y *	3727	37274	0.043
<b>GS450h</b>						
2011-07	V6 3.5L		N/A	N/A	N/A	
<b>GS460</b>						
2011-08	V8 4.6L		N/A	N/A	N/A	
2011-10	V8 4.6L		N/A	N/A	N/A	
<b>GX470</b>						
2009-05	V8 4.7L		7IR6Y *	3727	37274	0.043
2004-03	V8 4.7L		7IR6Y *	3727	37274	0.043
<b>HS250h</b>						
2011	L4 2.4L		7IR6Y *	3727	37274	0.043
2010	L4 2.4L		7IR6Y *	3727	37274	0.043
<b>IS250</b>						
2011-06	V6 2.5L		N/A	N/A	N/A	
<b>IS300</b>						
2005-04	L6 3.0L		7IR6Y *	3727	37274	0.043
2005-04	L6 3.0L	3 CPBs Req	7IR6Y *	3727	37274	0.043
2003	L6 3.0L		7IR6Y *	3727	37274	0.043
2003	L6 3.0L	3 CPBs Req	7IR6Y *	3727	37274	0.043
2002-01	L6 3.0L		7IR6Y *	3727	37274	0.043
2002-01	L6 3.0L	3 CPBs Req	7IR6Y *	3727	37274	0.043
<b>IS350</b>						
2011-06	V6 3.5L		N/A	N/A	N/A	
<b>IS F</b>						
2011-08	V8 5.0L		N/A	N/A	N/A	
<b>LS400</b>						
2000-98	V8 4.0L		7IR6Y *	3727	37274	0.043
1997-95	V8 4.0L		7IR6Y *	3727	37274	0.043
1994-90	V8 4.0L		7IR6Y *	3727	37274	0.043
<b>LS430</b>						
2006	V8 4.3L		7IR6Y *	3727	37274	0.043
2005-04	V8 4.3L		7IR6Y *	3727	37274	0.043
2003	V8 4.3L		7IR6Y *	3727	37274	0.043
2002-01	V8 4.3L		7IR6Y *	3727	37274	0.043
<b>LS460</b>						
2011-07	V8 4.6L		N/A	N/A	N/A	
<b>LS600h</b>						
2011-08	V8 5.0L		N/A	N/A	N/A	
<b>LX450</b>						
1997-96	L6 4.5L		7IR5Y	3725	37254	0.040
<b>LX470</b>						
2007-05	V8 4.7L		7IR6Y *	3727	37274	0.043
2004-03	V8 4.7L		7IR6Y *	3727	37274	0.043
2002-98	V8 4.7L		7IR6Y *	3727	37274	0.043
<b>LX570</b>						
2011-08	V8 5.7L		N/A	N/A	N/A	
<b>RX300</b>						
2003-99	V6 3.0L		7IR6Y *	3727	37274	0.043
<b>RX330</b>						
2006-04	V6 3.3L		7IR6Y *	3727	37274	0.043
<b>RX350</b>						
2011-07	V6 3.5L		N/A	N/A	N/A	
<b>RX400h</b>						
2008-06	V6 3.3L		7IR6Y *	3727	37274	0.043
<b>RX450h</b>						
2011-10	V6 3.5L		N/A	N/A	N/A	

1 1 2 \* Short Style 6 Series - PN 3741 (single), PN 37414 (4pk) - Pre-gapped 0.035  
 \* Short Style 7 Series - PN 3742 (single), PN 37424 (4pk) - Pre-gapped 0.035

CPB's = Coil Plug Boots  
 \*\* Pre-gapped for optimal performance.





Make Model Year	Engine Size	Notes:	Plug Type	MSD PN Single	MSD PN 4-Pack	Pre-Gap Setting**
<b>SC300</b>						
2000-99	L6 3.0L		7IR5Y	3725	37254	0.040
2000-99	L6 3.0L	3 CPBs Req	7IR5Y	3725	37254	0.040
1998	L6 3.0L		7IR5Y	3725	37254	0.040
1998	L6 3.0L	3 CPBs Req	7IR5Y	3725	37254	0.040
1997-94	L6 3.0L		7IR5Y	3725	37254	0.040
1993	L6 3.0L		7IR6Y *	3727	37274	0.043
1992	L6 3.0L		7IR5Y	3725	37254	0.040
<b>SC400</b>						
2000-98	V8 4.0L		7IR6Y *	3727	37274	0.043
1997-95	V8 4.0L		7IR6Y *	3727	37274	0.043
1994-92	V8 4.0L		7IR6Y *	3727	37274	0.043
<b>SC430</b>						
2010-02	V8 4.3L		7IR6Y *	3727	37274	0.043
<b>Lincoln</b>						
<b>Aviator</b>						
2005-03	V8 4.6L	8 CPBs Req	1IR5Y	3713	37134	0.043
<b>Blackwood</b>						
2003	V8 5.4L		1IR5Y	3713	37134	0.043
2002	V8 5.4L	8 CPBs Req	1IR5Y	3713	37134	0.043
<b>Capri</b>						
1959-58	V8 7.0L		16IR5Y	3744	37444	0.035
1957-56	V8 6.0L		16IR5Y	3744	37444	0.035
1955	V8 5.6L		16IR5Y	3744	37444	0.035
1954-52	V8 5.2L		16IR5Y	3744	37444	0.035
<b>Continental</b>						
2002-99	V8 4.6L	8 CPBs Req	1IR5Y	3713	37134	0.043
1998	V8 4.6L	8 CPBs Req	1IR5Y	3713	37134	0.043
1997-95	V8 4.6L		1IR5Y	3713	37134	0.043
1994-88	V6 3.8L		2IR5L	3715	37154	0.043
1987-86	V8 5.0L		2IR5L	3715	37154	0.043
1985-83	V8 5.0L		6IR4Y	3720	37204	0.035
1982	V6 3.8L		7IR4Y	3724	37244	0.040
1982	V8 5.0L		6IR4Y	3720	37204	0.035
1980	V8 5.0L		6IR4Y	3720	37204	0.035
1980	V8 5.8L		6IR4Y	3720	37204	0.035
1979	V8 6.6L		6IR4Y	3720	37204	0.035
1978-77	V8 6.6L		6IR4Y	3720	37204	0.035
1978-77	V8 7.5L		6IR4Y	3720	37204	0.035
1976-75	V8 7.5L		6IR4Y	3720	37204	0.035
1974	V8 7.5L	California	6IR4Y	3720	37204	0.035
1974	V8 7.5L	Non-California	6IR4Y	3720	37204	0.035
1973	V8 7.5L		6IR4Y	3720	37204	0.035
1972-69	V8 7.5L		16IR5Y	3744	37444	0.035
1968	V8 7.0L		16IR5Y	3744	37444	0.035
1968	V8 7.5L		16IR5Y	3744	37444	0.035
1968	V8 7.6L		16IR5Y	3744	37444	0.035
1967-66	V8 7.6L		16IR5Y	3744	37444	0.035
1965-58	V8 7.0L		16IR5Y	3744	37444	0.035
<b>Cosmopolitan</b>						
1954-52	V8 5.2L		16IR5Y	3744	37444	0.035
<b>Custom</b>						
1955	V8 5.6L		16IR5Y	3744	37444	0.035
<b>Lincoln Series</b>						
1960	V8 7.0L		16IR5Y	3744	37444	0.035
<b>LS</b>						
2006	V8 3.9L	8 CPBs Req	2IR5L	3715	37154	0.043
2005-03	V6 3.0L	6 CPBs Req	1IR5Y	3713	37134	0.043
2005-03	V8 3.9L	8 CPBs Req	2IR5L	3715	37154	0.043
2002	V6 3.0L	6 CPBs Req	1IR5Y	3713	37134	0.043
2002	V8 3.9L	8 CPBs Req	2IR5L	3715	37154	0.043
<b>Mark II</b>						
1957-56	V8 6.0L		16IR5Y	3744	37444	0.035

Make Model Year	Engine Size	Notes:	Plug Type	MSD PN Single	MSD PN 4-Pack	Pre-Gap Setting**
<b>Mark III</b>						
1971-69	V8 7.5L		16IR5Y	3744	37444	0.035
1968	V8 7.5L		16IR5Y	3744	37444	0.035
1968	V8 7.6L		16IR5Y	3744	37444	0.035
<b>Mark IV</b>						
1976-75	V8 7.5L		6IR4Y	3720	37204	0.035
1974	V8 7.5L	California	6IR4Y	3720	37204	0.035
1974	V8 7.5L	Non-California	6IR4Y	3720	37204	0.035
1973	V8 7.5L		6IR4Y	3720	37204	0.035
1972	V8 7.5L		16IR5Y	3744	37444	0.035
<b>Mark LT</b>						
2008	V8 5.4L	w/Brwn Coil Boots; 8 CPBs Req	4IR7Y	3717	37174	0.035
2008	V8 5.4L	w/ Black Coil Boots; Vin 5	3IR6	3716	37164	0.035
2007-06	V8 5.4L	w/ Black Coil Boots; Vin 5	3IR6	3716	37164	0.035
<b>Mark V</b>						
1979	V8 6.6L		6IR4Y	3720	37204	0.035
1978-77	V8 6.6L		6IR4Y	3720	37204	0.035
1978-77	V8 7.5L		6IR4Y	3720	37204	0.035
<b>Mark VI</b>						
1983-81	V8 5.0L		6IR4Y	3720	37204	0.035
1980	V8 5.0L		6IR4Y	3720	37204	0.035
1980	V8 5.8L		6IR4Y	3720	37204	0.035
<b>Mark VII</b>						
1992-88	V8 5.0L		6IR4Y	3720	37204	0.035
1987	V8 5.0L	Vin F	2IR5L	3715	37154	0.043
1987	V8 5.0L	Vin M	6IR4Y	3720	37204	0.035
1986	V8 5.0L		2IR5L	3715	37154	0.043
1985	V8 5.0L	Vin F	6IR4Y	3720	37204	0.035
1985	V8 5.0L	Vin M	2IR5L	3715	37154	0.043
1984	V8 5.0L		6IR4Y	3720	37204	0.035
<b>Mark VIII</b>						
1998	V8 4.6L	w/Dir Ign; 8 CPBs Req	1IR5Y	3713	37134	0.043
1997	V8 4.6L	w/Dir Ign; 8 CPBs Req	1IR5Y	3713	37134	0.043
1996-95	V8 4.6L		1IR5Y	3713	37134	0.043
1994-93	V8 4.6L		1IR5Y	3713	37134	0.043
<b>MKS</b>						
2011-09	V6 3.7L		5IR5Y	3719	37194	0.040
<b>MKT</b>						
2011-10	V6 3.7L		5IR5Y	3719	37194	0.040
<b>MKX</b>						
2010-07	V6 3.5L		5IR5Y	3719	37194	0.040
<b>MKZ</b>						
2011	L4 2.5L		5IR5Y	3719	37194	0.040
2011	V6 3.5L		5IR5Y	3719	37194	0.040
2010-07	V6 3.5L		5IR5Y	3719	37194	0.040
<b>Navigator</b>						
2011-10	V8 5.4L		4IR7Y	3717	37174	0.035
2009	V8 5.4L		4IR7Y	3717	37174	0.035
2008	V8 5.4L	w/Brwn Coil Boots; 8	4IR7Y	3717	37174	0.035
2008	V8 5.4L	w/ Black Coil Boots; Vin 5	3IR6	3716	37164	0.035
2007-05	V8 5.4L	w/ Black Coil Boots; Vin 5	3IR6	3716	37164	0.035
2004	V8 5.4L	8 CPBs Req	1IR5Y	3713	37134	0.043
1999	V8 5.4L	DOHC, 32Valves, 8 CPBs Req	1IR5Y	3713	37134	0.043
1999	V8 5.4L	SOHC, 16Valves, 8 CPBs Req	1IR5Y	3713	37134	0.043
1998	V8 5.4L	8 CPBs Req	1IR5Y	3713	37134	0.043
<b>Premier</b>						
1960-58	V8 7.0L		16IR5Y	3744	37444	0.035
1957-56	V8 6.0L		16IR5Y	3744	37444	0.035
<b>Town Car</b>						
2011	V8 4.6L		1IR5Y	3713	37134	0.043
2010-09	V8 4.6L	8 CPBs Req	1IR5Y	3713	37134	0.043
2008	V8 4.6L	FLEX, 8 CPBs Req	1IR5Y	3713	37134	0.043
2008	V8 4.6L	GAS, 8 CPBs Req	1IR5Y	3713	37134	0.043
2007	V8 4.6L	FLEX, 8 CPBs Req	1IR5Y	3713	37134	0.043
2007	V8 4.6L	GAS, 8 CPBs Req	1IR5Y	3713	37134	0.043
2006	V8 4.6L	FLEX, 8 CPBs Req	1IR5Y	3713	37134	0.043
2006	V8 4.6L	GAS, 8 CPBs Req	1IR5Y	3713	37134	0.043

CPB's = Coil Plug Boots  
 \*\* Pre-gapped for optimal performance.

\* Short Style 6 Series - PN 3741 (single), PN 37414 (4pk) - Pre-gapped 0.035  
 \* Short Style 7 Series - PN 3742 (single), PN 37424 (4pk) - Pre-gapped 0.035



**Lincoln Town Car continued**

Make Model Year	Engine Size	Notes:	Plug Type	MSD PN Single	MSD PN 4-Pack	Pre-Gap Setting**
2005	V8 4.6L	8 CPBs Req	11R5Y	3713	37134	0.043
2004	V8 4.6L	8 CPBs Req	11R5Y	3713	37134	0.043
2003-99	V8 4.6L	8 CPBs Req	11R5Y	3713	37134	0.043
1998	V8 4.6L	w/Dir Ign; 8 CPBs Req	11R5Y	3713	37134	0.043
1997-95	V8 4.6L		11R5Y	3713	37134	0.043
1994-91	V8 4.6L		11R5Y	3713	37134	0.043
1990-86	V8 5.0L		21R5L	3715	37154	0.043
1985-81	V8 5.0L		61R4Y	3720	37204	0.035
<b>Versailles</b>						
1980-78	V8 5.0L		61R4Y	3720	37204	0.035
1977	V8 5.0L		61R4Y	3720	37204	0.035
1977	V8 5.8L		61R4Y	3720	37204	0.035
<b>Zephyr</b>						
2006	V6 3.0L		11R5Y	3713	37134	0.043
<b>Lotus</b>						
<b>Eclat</b>						
1979-76	L4 2.0L		N/A	N/A	N/A	
<b>Elan</b>						
1992	L4 1.6L		71R6Y *	3727	37274	0.043
1991	L4 1.6L		71R6Y *	3727	37274	0.043
1990	L4 1.6L		71R6Y *	3727	37274	0.043
1975-63	L4 1.6L		N/A	N/A	N/A	
1962	L4 1.5L		N/A	N/A	N/A	
1962	L4 1.6L		N/A	N/A	N/A	
<b>Elise</b>						
2007	L4 1.8L		71R6Y *	3727	37274	0.043
2006	L4 1.8L		71R6Y *	3727	37274	0.043
2005	L4 1.8L		71R6Y *	3727	37274	0.043
<b>Elite</b>						
1979-76	L4 2.0L		111R5Y	3733	37334	0.035
1966-58	L4 1.2L		N/A	N/A	N/A	
<b>Esprit</b>						
2003-97	V8 3.5L		71R6Y *	3727	37274	0.043
1995-92	L4 2.2L		N/A	N/A	N/A	
1991-90	L4 2.2L	CAN	N/A	N/A	N/A	
1991-90	L4 2.2L	USA	N/A	N/A	N/A	
1989	L4 2.2L	CAN	N/A	N/A	N/A	
1989	L4 2.2L	USA	N/A	N/A	N/A	
1988-87	L4 2.2L	Naturally Aspirated	N/A	N/A	N/A	
1988-87	L4 2.2L	Turbo	N/A	N/A	N/A	
1986-83	L4 2.2L		N/A	N/A	N/A	
1982	L4 2.2L	Naturally Aspirated	111R5Y	3733	37334	0.035
1982	L4 2.2L	Turbo	N/A	N/A	N/A	
1981-80	L4 2.2L		111R5Y	3733	37334	0.035
1979-77	L4 2.0L		N/A	N/A	N/A	
1976	L4 2.0L		N/A	N/A	N/A	
<b>Europa</b>						
1975-71	L4 1.6L		N/A	N/A	N/A	
1970-68	L4 1.5L		N/A	N/A	N/A	
1970-68	L4 1.6L		N/A	N/A	N/A	
1967	L4 1.5L		N/A	N/A	N/A	
<b>Exige</b>						
2006	L4 1.8L		71R6Y *	3727	37274	0.043
<b>Seven</b>						
1975-69	L4 1.3L		N/A	N/A	N/A	
1975-69	L4 1.6L		N/A	N/A	N/A	
1968-62	L4 1.3L		N/A	N/A	N/A	
<b>Super Seven</b>						
1968-62	L4 1.3L		N/A	N/A	N/A	
<b>Maserati</b>						
<b>228i</b>						
1990-89	V6 2.8L		N/A	N/A	N/A	
<b>425</b>						
1987-86	V6 2.5L		N/A	N/A	N/A	

Make Model Year	Engine Size	Notes:	Plug Type	MSD PN Single	MSD PN 4-Pack	Pre-Gap Setting**
<b>430i</b>						
1990-89	V6 2.8L		N/A	N/A	N/A	
<b>Biturbo</b>						
1987	V6 2.5L	CARB	N/A	N/A	N/A	
1987	V6 2.5L	FI	N/A	N/A	N/A	
1986-84	V6 2.5L		N/A	N/A	N/A	
1983	V6 2.0L		N/A	N/A	N/A	
<b>Bora</b>						
1983-81	V8 4.9L		N/A	N/A	N/A	
1980	V8 4.9L		N/A	N/A	N/A	
1979-72	V8 4.7L		N/A	N/A	N/A	
1979-72	V8 4.9L		N/A	N/A	N/A	
1971	V8 4.7L		N/A	N/A	N/A	
<b>Coupe</b>						
2006-05	V8 4.2L		N/A	N/A	N/A	
2004-03	V8 4.2L		N/A	N/A	N/A	
<b>Ghibli</b>						
1973	V8 4.9L		N/A	N/A	N/A	
1972-69	V8 4.7L		N/A	N/A	N/A	
1972-69	V8 4.9L		N/A	N/A	N/A	
1968-67	V8 4.7L		N/A	N/A	N/A	
<b>GranSport</b>						
2006-05	V8 4.2L		N/A	N/A	N/A	
<b>Indy</b>						
1974-72	V8 4.7L		N/A	N/A	N/A	
1971-69	V8 4.1L		N/A	N/A	N/A	
<b>Khamsin</b>						
1979-74	V8 4.9L		N/A	N/A	N/A	
<b>Merak</b>						
1982-71	V6 3.0L		N/A	N/A	N/A	
<b>Mexico</b>						
1971-69	V8 4.7L		N/A	N/A	N/A	
1968	V8 4.1L		N/A	N/A	N/A	
1968	V8 4.7L		N/A	N/A	N/A	
1967	V8 4.7L		N/A	N/A	N/A	
<b>Mistral</b>						
1970-68	L6 3.7L		N/A	N/A	N/A	
1970-68	L6 4.0L		N/A	N/A	N/A	
<b>Quattroporte</b>						
2006-05	V8 4.2L		N/A	N/A	N/A	
2004	V8 4.2L		N/A	N/A	N/A	
1986-79	V8 4.9L		N/A	N/A	N/A	
1969	V8 4.7L		N/A	N/A	N/A	
1968	V8 4.1L		N/A	N/A	N/A	
1968	V8 4.7L		N/A	N/A	N/A	
<b>Spyder</b>						
2006-05	V8 4.2L		N/A	N/A	N/A	
2004-02	V8 4.2L		N/A	N/A	N/A	
1991-89	V6 2.8L		N/A	N/A	N/A	
1987-86	V6 2.5L		N/A	N/A	N/A	
<b>Maybach</b>						
<b>57</b>						
2010-06	V12 5.5L		71R6Y *	3727	37274	0.043
2010-06	V12 6.0L		71R6Y *	3727	37274	0.043
2005-03	V12 5.5L		71R6Y *	3727	37274	0.043
<b>62</b>						
2010-07	V12 5.5L		71R6Y *	3727	37274	0.043
2010-07	V12 6.0L		71R6Y *	3727	37274	0.043
2006-03	V12 5.5L		71R6Y *	3727	37274	0.043

114 \* Short Style 6 Series - PN 3741 (single), PN 37414 (4pk) - Pre-gapped 0.035  
 \*\* Short Style 7 Series - PN 3742 (single), PN 37424 (4pk) - Pre-gapped 0.035

CPB's = Coil Plug Boots  
 \*\* Pre-gapped for optimal performance.



Make Model Year	Engine Size	Notes:	Plug Type	MSD PN Single	MSD PN 4-Pack	Pre-Gap Setting**
<b>Mazda</b>						
<b>2</b>						
2011	L4 1.5L		7IR5Y	3725	37254	0.040
<b>3</b>						
2011-10	L4 2.0L		5IR5Y	3719	37194	0.040
2011-10	L4 2.5L		5IR5Y	3719	37194	0.040
2009-07	L4 2.0L		5IR5Y	3719	37194	0.040
2009-07	L4 2.3L	Naturally Aspirated	5IR5Y	3719	37194	0.040
2009-07	L4 2.3L	Turbo	5IR6Y	3743	37434	0.032
2006	L4 2.0L		5IR5Y	3719	37194	0.040
2006	L4 2.3L		5IR5Y	3719	37194	0.040
2005-04	L4 2.0L	4 CPBs Req	1IR6Y	3714	37144	0.043
2005-04	L4 2.3L	4 CPBs Req	1IR6Y	3714	37144	0.043
<b>5</b>						
2012	L4 2.5L		5IR5Y	3719	37194	0.040
2010-08	L4 2.3L		5IR5Y	3719	37194	0.040
2007-06	L4 2.3L		1IR5Y	3713	37134	0.043
<b>6</b>						
2011-09	L4 2.5L		5IR5Y	3719	37194	0.040
2011-09	V6 3.7L		5IR6Y	3743	37434	0.032
2008	L4 2.3L		5IR5Y	3719	37194	0.040
2008	V6 3.0L	6 CPBs Req	1IR5Y	3713	37134	0.043
2007-06	L4 2.3L	Naturally Aspirated	5IR5Y	3719	37194	0.040
2007-06	L4 2.3L	Turbo	5IR6Y	3743	37434	0.032
2007-06	V6 3.0L	6 CPBs Req	1IR5Y	3713	37134	0.043
2005-03	L4 2.3L		1IR5Y	3713	37134	0.043
2005-03	V6 3.0L	6 CPBs Req	1IR5Y	3713	37134	0.043
<b>323</b>						
1995	L4 1.6L		11IR5Y	3733	37334	0.035
1994-93	L4 1.6L		11IR5Y	3733	37334	0.035
1994-93	L4 1.8L	DOHC	7IR5Y	3725	37254	0.040
1994-93	L4 1.8L	SOHC	7IR5Y	3725	37254	0.040
1992	L4 1.6L		11IR5Y	3733	37334	0.035
1991-90	L4 1.6L		11IR5Y	3733	37334	0.035
1991-90	L4 1.8L	DOHC	7IR5Y	3725	37254	0.040
1991-90	L4 1.8L	SOHC	7IR5Y	3725	37254	0.040
1989-88	L4 1.6L	Naturally Aspirated	11IR5Y	3733	37334	0.035
1989-88	L4 1.6L	Turbo	7IR6Y *	3727	37274	0.043
1987-86	L4 1.6L		11IR5Y	3733	37334	0.035
<b>616</b>						
1971-70	L4 1.6L		N/A	N/A	N/A	
<b>618</b>						
1972	L4 1.8L		N/A	N/A	N/A	
<b>626</b>						
2002-98	L4 2.0L		7IR5Y	3725	37254	0.040
2002-98	V6 2.5L		N/A	N/A	N/A	
1997-96	L4 2.0L	Automatic	7IR5Y	3725	37254	0.040
1997-96	L4 2.0L	Standard	7IR5Y	3725	37254	0.040
1997-96	V6 2.5L		N/A	N/A	N/A	
1995	L4 2.0L	Automatic	7IR5Y	3725	37254	0.040
1995	L4 2.0L	Standard	7IR5Y	3725	37254	0.040
1995	V6 2.5L		N/A	N/A	N/A	
1994-93	L4 2.0L	Automatic	7IR5Y	3725	37254	0.040
1994-93	L4 2.0L	Standard	7IR5Y	3725	37254	0.040
1994-93	V6 2.5L		N/A	N/A	N/A	
1992	L4 2.2L		7IR6Y *	3727	37274	0.043
1991-90	L4 2.2L	Naturally Aspirated	7IR6Y *	3727	37274	0.043
1991-90	L4 2.2L	Turbo	7IR6Y *	3727	37274	0.043
1989-88	L4 2.2L	Naturally Aspirated	7IR6Y *	3727	37274	0.043
1989-88	L4 2.2L	Turbo	7IR6Y *	3727	37274	0.043
1987-86	L4 2.0L	Naturally Aspirated	11IR5Y	3733	37334	0.035
1987-86	L4 2.0L	Turbo	N/A	N/A	N/A	
1985-84	L4 2.0L	DIESEL	N/A	N/A	N/A	
1985-84	L4 2.0L	GAS	11IR5Y	3733	37334	0.035
1983	L4 2.0L		11IR5Y	3733	37334	0.035
1982-79	L4 2.0L		11IR5Y	3733	37334	0.035

CPB's = Coil Plug Boots  
 \*\* Pre-gapped for optimal performance.

Make Model Year	Engine Size	Notes:	Plug Type	MSD PN Single	MSD PN 4-Pack	Pre-Gap Setting**
<b>808</b>						
1977-72	L4 1.6L		N/A	N/A	N/A	
<b>929</b>						
1995-92	V6 3.0L		7IR5Y	3725	37254	0.040
1991-90	V6 3.0L	DOHC	N/A	N/A	N/A	
1991-90	V6 3.0L	DOHC, SOHC	N/A	N/A	N/A	
1991-90	V6 3.0L	SOHC	7IR6Y *	3727	37274	0.043
1991-90	V6 3.0L	SOHC, DOHC	7IR6Y *	3727	37274	0.043
1989-88	V6 3.0L		7IR6Y *	3727	37274	0.043
<b>1800</b>						
1971-70	L4 1.8L		N/A	N/A	N/A	
<b>B1600</b>						
1976-72	L4 1.6L		N/A	N/A	N/A	
<b>B1800</b>						
1978-77	L4 1.8L		N/A	N/A	N/A	
<b>B2000</b>						
1987-86	L4 2.0L		11IR5Y	3733	37334	0.035
1984-79	L4 2.0L		11IR5Y	3733	37334	0.035
<b>B2200</b>						
1993-90	L4 2.2L	CARB	11IR5Y	3733	37334	0.035
1993-90	L4 2.2L	FI	11IR5Y	3733	37334	0.035
1989-87	L4 2.2L		11IR5Y	3733	37334	0.035
1984-82	L4 2.2L		N/A	N/A	N/A	
<b>B2300</b>						
2009-01	L4 2.3L		1IR5Y	3713	37134	0.043
1997-95	L4 2.3L		1IR5Y	3713	37134	0.043
1994	L4 2.3L		1IR5Y	3713	37134	0.043
<b>B2500</b>						
2001-98	L4 2.5L		1IR5Y	3713	37134	0.043
<b>B2600</b>						
1993-90	L4 2.6L		N/A	N/A	N/A	
1989	L4 2.6L		7IR6Y *	3727	37274	0.043
1988-87	L4 2.6L		11IR5Y	3733	37334	0.035
<b>B3000</b>						
2007	V6 3.0L		1IR5Y	3713	37134	0.043
2006-04	V6 3.0L		1IR5Y	3713	37134	0.043
2003-01	V6 3.0L		1IR5Y	3713	37134	0.043
2000-98	V6 3.0L		1IR5Y	3713	37134	0.043
1997-96	V6 3.0L		1IR5Y	3713	37134	0.043
1995	V6 3.0L	Distributorless Ign. w/Distributor	1IR5Y	3713	37134	0.043
1994	V6 3.0L		1IR5Y	3713	37134	0.043
<b>B4000</b>						
2009-06	V6 4.0L		2IR5L	3715	37154	0.043
2005-04	V6 4.0L		2IR5L	3715	37154	0.043
2003	V6 4.0L		1IR5Y	3713	37134	0.043
2002	V6 4.0L	Vin E	2IR5L	3715	37154	0.043
2001	V6 4.0L	Vin E	2IR5L	3715	37154	0.043
2000-97	V6 4.0L		1IR6Y	3714	37144	0.043
1996-94	V6 4.0L		1IR5Y	3713	37134	0.043
<b>Cosmo</b>						
1978-76	R2 1.3L		N/A	N/A	N/A	
<b>CX-7</b>						
2011-10	L4 2.5L		5IR5Y	3719	37194	0.040
2009-07	L4 2.3L		5IR6Y	3743	37434	0.032
<b>CX-9</b>						
2011-08	V6 3.7L		5IR6Y	3743	37434	0.032
2007	V6 3.5L		5IR6Y	3743	37434	0.032
<b>GLC</b>						
1985-81	L4 1.5L		11IR5Y	3733	37334	0.035
1980-79	L4 1.4L		11IR5Y	3733	37334	0.035
1978-77	L4 1.3L		N/A	N/A	N/A	
<b>Miata</b>						
2005-04	L4 1.8L	Naturally Aspirated,	7IR5Y	3725	37254	0.040
2005-04	L4 1.8L	Turbo,	7IR5Y	3725	37254	0.040
2005-04	L4 1.8L	Naturally Aspirated, 2 CPBs Req	7IR5Y	3725	37254	0.040
2005-04	L4 1.8L	Turbo, 2 CPBs Req	7IR5Y	3725	37254	0.040

\* Short Style 6 Series - PN 3741 (single), PN 37414 (4pk) - Pre-gapped 0.035  
 \* Short Style 7 Series - PN 3742 (single), PN 37424 (4pk) - Pre-gapped 0.035



**Mazda Miata continued**

Make Model Year	Engine Size	Notes:	Plug Type	MSD PN Single	MSD PN 4-Pack	Pre-Gap Setting**
2003-01	L4 1.8L		71R5Y	3725	37254	0.040
2003-01	L4 1.8L	2 CPBs Req	71R5Y	3725	37254	0.040
2000-99	L4 1.8L		71R5Y	3725	37254	0.040
1997-94	L4 1.8L		71R5Y	3725	37254	0.040
1993-90	L4 1.6L		71R6Y *	3727	37274	0.043
<b>Millenia</b>						
2002-95	V6 2.3L	6 CPBs Req	N/A	N/A	N/A	
2002-95	V6 2.5L		N/A	N/A	N/A	
<b>Mizer</b>						
1977	L4 1.3L		N/A	N/A	N/A	
1976	L4 1.3L	California	N/A	N/A	N/A	
1976	L4 1.3L	Non-California	N/A	N/A	N/A	
<b>MPV</b>						
2006-02	V6 3.0L	6 CPBs Req	11R5Y	3713	37134	0.043
2001	V6 2.5L	Early; To VIN #177800 (last 6 digits)	11R5Y	3713	37134	0.043
2001	V6 2.5L	Late; From VIN #177800 (last 6 digits)	11R5Y	3713	37134	0.043
1998-96	V6 3.0L		71R5Y	3725	37254	0.040
1995	V6 3.0L		N/A	N/A	N/A	
1994-90	L4 2.6L		N/A	N/A	N/A	
1994-90	V6 3.0L		N/A	N/A	N/A	
1989	L4 2.6L		71R6Y *	3727	37274	0.043
1989	V6 3.0L		71R6Y *	3727	37274	0.043
<b>MX-3</b>						
1996	L4 1.6L		71R5Y	3725	37254	0.040
1995-94	L4 1.6L		71R5Y	3725	37254	0.040
1995-94	V6 1.8L		71R5Y	3725	37254	0.040
1993-92	L4 1.6L		71R5Y	3725	37254	0.040
1993-92	V6 1.8L		71R5Y	3725	37254	0.040
<b>MX-5 Miata</b>						
2011-06	L4 2.0L		51R6Y	3743	37434	0.032
<b>MX-6</b>						
1997-95	L4 2.0L	Automatic	71R5Y	3725	37254	0.040
1997-95	L4 2.0L	Standard	71R5Y	3725	37254	0.040
1997-95	V6 2.5L		N/A	N/A	N/A	
1994-93	L4 2.0L	Automatic	71R5Y	3725	37254	0.040
1994-93	L4 2.0L	Standard	71R5Y	3725	37254	0.040
1994-93	V6 2.5L		N/A	N/A	N/A	
1992-90	L4 2.2L	Naturally Aspirated	71R6Y *	3727	37274	0.043
1992-90	L4 2.2L	Turbo	71R6Y *	3727	37274	0.043
1989-88	L4 2.2L	Naturally Aspirated	71R6Y *	3727	37274	0.043
1989-88	L4 2.2L	Turbo	71R6Y *	3727	37274	0.043
<b>Navajo</b>						
1994-91	V6 4.0L		11R5Y	3713	37134	0.043
<b>Protege</b>						
2003	L4 1.6L		N/A	N/A	N/A	
2003	L4 1.6L	2 CPBs Req	N/A	N/A	N/A	
2003	L4 2.0L	Naturally Aspirated,	71R5Y	3725	37254	0.040
2003	L4 2.0L	Turbo,	71R6L	3726	37264	0.032
2003	L4 2.0L	Naturally Aspirated, 2 CPBs Req	71R5Y	3725	37254	0.040
2003	L4 2.0L	Turbo, 2 CPBs Req	71R6L	3726	37264	0.032
2002-01	L4 1.6L		N/A	N/A	N/A	
2002-01	L4 1.6L	2 CPBs Req	N/A	N/A	N/A	
2002-01	L4 2.0L		71R5Y	3725	37254	0.040
2002-01	L4 2.0L	2 CPBs Req	71R5Y	3725	37254	0.040
2000-99	L4 1.6L		N/A	N/A	N/A	
2000-99	L4 1.6L	2 CPBs Req	N/A	N/A	N/A	
2000-99	L4 1.8L		71R5Y	3725	37254	0.040
1998-95	L4 1.5L		71R5Y	3725	37254	0.040
1998-95	L4 1.8L		71R5Y	3725	37254	0.040
1994-92	L4 1.8L	DOHC	71R6Y *	3727	37274	0.043
1994-92	L4 1.8L	DOHC, SOHC	71R6Y *	3727	37274	0.043
1994-92	L4 1.5L	SOHC	71R5Y	3725	37254	0.040
1994-92	L4 1.8L	SOHC, DOHC	71R5Y	3725	37254	0.040
1991	L4 1.8L	4WD, DOHC	71R5Y	3725	37254	0.040
1991	L4 1.8L	4WD, SOHC	71R5Y	3725	37254	0.040
1991	L4 1.8L	DX, DOHC	71R5Y	3725	37254	0.040
1991	L4 1.8L	DX, SOHC	71R5Y	3725	37254	0.040
1991	L4 1.8L	GT, DOHC	71R5Y	3725	37254	0.040

Make Model Year	Engine Size	Notes:	Plug Type	MSD PN Single	MSD PN 4-Pack	Pre-Gap Setting**
1991	L4 1.8L	GT, SOHC	71R5Y	3725	37254	0.040
1991	L4 1.8L	LX, DOHC	71R6Y *	3727	37274	0.043
1991	L4 1.8L	LX, SOHC	71R6Y *	3727	37274	0.043
1990	L4 1.8L	DOHC	71R6Y *	3727	37274	0.043
1990	L4 1.8L	DOHC, SOHC	71R6Y *	3727	37274	0.043
1990	L4 1.8L	SOHC	71R5Y	3725	37254	0.040
1990	L4 1.8L	SOHC, DOHC	71R5Y	3725	37254	0.040
<b>Protege5</b>						
2003-02	L4 2.0L		71R5Y	3725	37254	0.040
2003-02	L4 2.0L	2 CPBs Req	71R5Y	3725	37254	0.040
<b>R100</b>						
1972-70	R2 1.1L		N/A	N/A	N/A	
<b>Rotary Pickup</b>						
1977-75	R2 1.3L		N/A	N/A	N/A	
1974	R2 1.3L		N/A	N/A	N/A	
<b>RX-2</b>						
1974	R2 1.1L		N/A	N/A	N/A	
1973-70	R2 1.1L		N/A	N/A	N/A	
<b>RX-3</b>						
1978-75	R2 1.1L		N/A	N/A	N/A	
1974	R2 1.1L		N/A	N/A	N/A	
1973-72	R2 1.1L		N/A	N/A	N/A	
<b>RX-4</b>						
1978-75	R2 1.3L		N/A	N/A	N/A	
1974	R2 1.3L		N/A	N/A	N/A	
<b>RX-7</b>						
1995-93	R2 1.3L	Leading	N/A	N/A	N/A	
1995-93	R2 1.3L	Trailing	N/A	N/A	N/A	
1991-86	R2 1.3L	Leading	N/A	N/A	N/A	
1991-86	R2 1.3L	Trailing	N/A	N/A	N/A	
1985-84	R2 1.1L		N/A	N/A	N/A	
1985-84	R2 1.3L		N/A	N/A	N/A	
1983-81	R2 1.1L		N/A	N/A	N/A	
1980	R2 1.1L		N/A	N/A	N/A	
1979	R2 1.1L		N/A	N/A	N/A	
<b>RX-8</b>						
2011-08	R2 1.3L	Leading	N/A	N/A	N/A	
2011-08	R2 1.3L	Trailing	N/A	N/A	N/A	
2007-04	R2 1.3L	Leading	N/A	N/A	N/A	
2007-04	R2 1.3L	Trailing	N/A	N/A	N/A	
<b>Tribute</b>						
2011-10	L4 2.5L		51R5Y	3719	37194	0.040
2009	L4 2.5L		51R5Y	3719	37194	0.040
2009	V6 3.0L		11R5Y	3713	37134	0.043
2008	L4 2.3L	Electric/Gas, 4 CPBs Req	11R5Y	3713	37134	0.043
2008	L4 2.3L	GAS, 4 CPBs Req	51R6Y	3743	37434	0.032
2008	V6 3.0L	6 CPBs Req	11R5Y	3713	37134	0.043
2006	L4 2.3L	4 CPBs Req	11R5Y	3713	37134	0.043
2006	V6 3.0L	6 CPBs Req	11R5Y	3713	37134	0.043
2005	L4 2.3L	4 CPBs Req	11R5Y	3713	37134	0.043
2005	V6 3.0L	6 CPBs Req	11R5Y	3713	37134	0.043
2004	L4 2.0L		51R5Y	3719	37194	0.040
2004	V6 3.0L	DX, 6 CPBs Req	11R5Y	3713	37134	0.043
2004	V6 3.0L	ES, 6 CPBs Req	11R5Y	3713	37134	0.043
2004	V6 3.0L	LX, 6 CPBs Req	11R5Y	3713	37134	0.043
2003	L4 2.0L		51R5Y	3719	37194	0.040
2003	V6 3.0L	DX, 6 CPBs Req	11R5Y	3713	37134	0.043
2003	V6 3.0L	ES, 6 CPBs Req	11R5Y	3713	37134	0.043
2003	V6 3.0L	LX, 6 CPBs Req	11R5Y	3713	37134	0.043
2002-01	L4 2.0L		51R5Y	3719	37194	0.040
2002-01	V6 3.0L	6 CPBs Req	11R5Y	3713	37134	0.043

\* Short Style 6 Series - PN 3741 (single), PN 37414 (4pk) - Pre-gapped 0.035  
 \* Short Style 7 Series - PN 3742 (single), PN 37424 (4pk) - Pre-gapped 0.035

CPB's = Coil Plug Boots  
 \*\* Pre-gapped for optimal performance.





Make Model Year	Engine Size	Notes:	Plug Type	MSD PN Single	MSD PN 4-Pack	Pre-Gap Setting**
<b>Mercedes-Benz</b>						
<b>190B</b>						
1962-60	L4 1.9L		13IR6Y	3736	37364	0.032
<b>190C</b>						
1965-63	L4 1.9L		13IR6Y	3736	37364	0.032
<b>190D</b>						
1989-88	L5 2.5L		N/A	N/A	N/A	
1987	L5 2.5L	Naturally Aspirated	N/A	N/A	N/A	
1987	L5 2.5L	Turbo	N/A	N/A	N/A	
1986	L5 2.5L		N/A	N/A	N/A	
1985-84	L4 2.2L		N/A	N/A	N/A	
<b>190E</b>						
1993-91	L4 2.3L		11R5Y	3713	37134	0.043
1993-91	L6 2.6L		11R5Y	3713	37134	0.043
1990-89	L6 2.6L		11R5Y	3713	37134	0.043
1988	L4 2.3L		11R5Y	3713	37134	0.043
1988	L6 2.6L		11R5Y	3713	37134	0.043
1987	L4 2.3L	SOHC	11R5Y	3713	37134	0.043
1987	L6 2.6L		11R5Y	3713	37134	0.043
1986	L4 2.3L	SOHO	11R5Y	3713	37134	0.043
1985-84	L4 2.3L		11R5Y	3713	37134	0.043
<b>190SL</b>						
1963-60	L4 1.9L		13IR6Y	3736	37364	0.032
<b>200</b>						
1967-66	L4 2.0L		N/A	N/A	N/A	
<b>220</b>						
1973-68	L4 2.2L		N/A	N/A	N/A	
1965-60	L6 2.2L		13IR6Y	3736	37364	0.032
<b>220S</b>						
1965-60	L6 2.2L		13IR6Y	3736	37364	0.032
<b>220SE</b>						
1966-63	L6 2.2L	CARB	13IR6Y	3736	37364	0.032
1962-60	L6 2.2L		13IR6Y	3736	37364	0.032
<b>230</b>						
1978-74	L4 2.3L		11R5Y	3733	37334	0.035
1969-66	L6 2.3L		N/A	N/A	N/A	
<b>230S</b>						
1967-66	L6 2.3L		N/A	N/A	N/A	
<b>230SL</b>						
1966-63	L6 2.3L		N/A	N/A	N/A	
<b>240D</b>						
1983-76	L4 2.4L		N/A	N/A	N/A	
<b>250</b>						
1972	L6 2.8L		N/A	N/A	N/A	
1971	L6 2.8L		N/A	N/A	N/A	
1971	L6 2.8L	Car	N/A	N/A	N/A	
1970-68	L6 2.5L	Car	N/A	N/A	N/A	
<b>250C</b>						
1972-70	L6 2.8L		N/A	N/A	N/A	
<b>250S</b>						
1967-66	L6 2.5L		N/A	N/A	N/A	
<b>250SE</b>						
1967-66	L6 2.5L		N/A	N/A	N/A	
<b>250SL</b>						
1967	L6 2.5L		N/A	N/A	N/A	
<b>260E</b>						
1989-87	L6 2.6L		11R5Y	3713	37134	0.043
<b>280</b>						
1976-75	L6 2.8L		11R5Y	3733	37334	0.035
1974-73	L6 2.8L		N/A	N/A	N/A	
<b>280C</b>						
1976-75	L6 2.8L		11R5Y	3733	37334	0.035
1974-73	L6 2.8L		N/A	N/A	N/A	

Make Model Year	Engine Size	Notes:	Plug Type	MSD PN Single	MSD PN 4-Pack	Pre-Gap Setting**
<b>280CE</b>						
1981-78	L6 2.8L		11R5Y	3733	37334	0.035
<b>280E</b>						
1981-77	L6 2.8L		11R5Y	3733	37334	0.035
<b>280S</b>						
1976-75	L6 2.8L		11R5Y	3733	37334	0.035
1971-68	L6 2.8L		N/A	N/A	N/A	
<b>280SE</b>						
1980-77	L6 2.8L		11R5Y	3733	37334	0.035
1973	V8 4.5L	w/Screw on Dist. Cap	N/A	N/A	N/A	
1972	L6 2.8L		N/A	N/A	N/A	
1972	V8 4.5L		N/A	N/A	N/A	
1971	L6 2.8L		N/A	N/A	N/A	
1970	L6 2.8L		N/A	N/A	N/A	
1970	V8 3.5L		N/A	N/A	N/A	
1969-68	L6 2.8L		N/A	N/A	N/A	
<b>280SEL</b>						
1973	V8 4.5L	w/Screw on Dist. Cap	N/A	N/A	N/A	
1972	V8 4.5L		N/A	N/A	N/A	
1971-68	L6 2.6L		N/A	N/A	N/A	
<b>280SL</b>						
1971-68	L6 2.8L		N/A	N/A	N/A	
<b>300CD</b>						
1985-78	L5 3.0L		N/A	N/A	N/A	
<b>300CE</b>						
1993	L6 3.2L		71R5Y	3725	37254	0.040
1993	L6 3.2L	3 CPBs Req	71R5Y	3725	37254	0.040
1992-90	L6 3.0L		71R5Y	3725	37254	0.040
1989-88	L6 3.0L		11R5Y	3713	37134	0.043
<b>300D</b>						
1993-90	L5 2.5L		N/A	N/A	N/A	
1987	L6 3.0L		N/A	N/A	N/A	
1985-75	L5 3.0L		N/A	N/A	N/A	
<b>300E</b>						
1993	L6 2.8L		71R5Y	3725	37254	0.040
1993	L6 2.8L	3 CPBs Req	71R5Y	3725	37254	0.040
1993	L6 3.0L		11R5Y	3713	37134	0.043
1993	L6 3.2L		71R5Y	3725	37254	0.040
1993	L6 3.2L	3 CPBs Req	71R5Y	3725	37254	0.040
1992-90	L6 2.6L		11R5Y	3713	37134	0.043
1992-90	L6 3.0L		11R5Y	3713	37134	0.043
1989-86	L6 3.0L		11R5Y	3713	37134	0.043
<b>300SD</b>						
1993-92	L6 3.4L		N/A	N/A	N/A	
1985-78	L5 3.0L		N/A	N/A	N/A	
<b>300SDL</b>						
1987-86	L6 3.0L		N/A	N/A	N/A	
<b>300SE</b>						
1993-92	L6 3.2L		71R5Y	3725	37254	0.040
1991-88	L6 3.0L		11R5Y	3713	37134	0.043
<b>300SEL</b>						
1991-88	L6 3.0L		11R5Y	3713	37134	0.043
1973	V8 4.5L	w/Screw on Dist. Cap	N/A	N/A	N/A	
1972	V8 4.5L		N/A	N/A	N/A	
1971-70	V8 3.5L		N/A	N/A	N/A	
1971-70	V8 6.3L		N/A	N/A	N/A	
1969-68	L6 2.8L		N/A	N/A	N/A	
<b>300SL</b>						
1993-90	L6 3.0L		71R5Y	3725	37254	0.040
1959-54	L6 3.0L		N/A	N/A	N/A	
<b>300TD</b>						
1987	L6 3.0L		N/A	N/A	N/A	
1985-79	L5 3.0L		N/A	N/A	N/A	

CPB's = Coil Plug Boots

\*\* Pre-gapped for optimal performance.

\* Short Style 6 Series - PN 3741 (single), PN 37414 (4pk) - Pre-gapped 0.035

\* Short Style 7 Series - PN 3742 (single), PN 37424 (4pk) - Pre-gapped 0.035



## Mercedes-Benz 300TE

Make Model Year	Engine Size	Notes:	Plug Type	MSD PN Single	MSD PN 4-Pack	Pre-Gap Setting**
<b>300TE</b>						
1993	L6 3.0L		11R5Y	3713	37134	0.043
1993	L6 3.2L		71R5Y	3725	37254	0.040
1993	L6 3.2L		71R5Y	3725	37254	0.040
1992-88	L6 3.0L		11R5Y	3713	37134	0.043
<b>350SD</b>						
1991	L6 3.4L		N/A	N/A	N/A	
<b>350SDL</b>						
1991	L6 3.4L		N/A	N/A	N/A	
1990	L6 3.4L		N/A	N/A	N/A	
<b>350SL</b>						
1972	V8 4.5L		N/A	N/A	N/A	
<b>380SE</b>						
1985-84	V8 3.8L		11R5Y	3733	37334	0.035
<b>380SEC</b>						
1983-82	V8 3.8L		11R5Y	3733	37334	0.035
<b>380SEL</b>						
1983-82	V8 3.8L		11R5Y	3733	37334	0.035
1981	V8 3.8L		11R5Y	3733	37334	0.035
<b>380SL</b>						
1985-82	V8 3.8L		11R5Y	3733	37334	0.035
1981	V8 3.8L		11R5Y	3733	37334	0.035
<b>380SLC</b>						
1981	V8 3.8L		11R5Y	3733	37334	0.035
<b>400E</b>						
1993-92	V8 4.2L		71R5Y	3725	37254	0.040
<b>400SE</b>						
1992	V8 4.2L		71R5Y	3725	37254	0.040
<b>400SEL</b>						
1993	V8 4.2L		71R5Y	3725	37254	0.040
<b>420SEL</b>						
1991-89	V8 4.2L		11R5Y	3733	37334	0.035
1988	V8 4.2L		11R5Y	3733	37334	0.035
1987-86	V8 4.2L		11R5Y	3733	37334	0.035
<b>450SE</b>						
1976	V8 4.5L		11R5Y	3733	37334	0.035
1975-73	V8 4.5L	w/Screw on Dist. Cap	11R5Y	3733	37334	0.035
<b>450SEL</b>						
1980	V8 4.5L		11R5Y	3733	37334	0.035
1979-77	V8 4.5L		11R5Y	3733	37334	0.035
1979-77	V8 6.8L		11R5Y	3733	37334	0.035
1976	V8 4.5L		11R5Y	3733	37334	0.035
1975-73	V8 4.5L	w/Screw on Dist. Cap	11R5Y	3733	37334	0.035
<b>450SL</b>						
1980-76	V8 4.5L		11R5Y	3733	37334	0.035
1975-73	V8 4.5L	w/Screw on Dist. Cap	11R5Y	3733	37334	0.035
<b>450SLC</b>						
1980-76	V8 4.5L		11R5Y	3733	37334	0.035
1975-73	V8 4.5L	w/Screw on Dist. Cap	11R5Y	3733	37334	0.035
<b>500E</b>						
1993-92	V8 5.0L		71R5Y	3725	37254	0.040
<b>500SEC</b>						
1993	V8 5.0L		71R5Y	3725	37254	0.040
1985-84	V8 5.0L		11R5Y	3733	37334	0.035
<b>500SEL</b>						
1993-92	V8 5.0L		71R5Y	3725	37254	0.040
1985-84	V8 5.0L		11R5Y	3733	37334	0.035
<b>500SL</b>						
1993-90	V8 5.0L		71R5Y	3725	37254	0.040
<b>560SEC</b>						
1991-86	V8 5.6L		11R5Y	3733	37334	0.035
<b>560SEL</b>						
1991-86	V8 5.6L		11R5Y	3733	37334	0.035

Make Model Year	Engine Size	Notes:	Plug Type	MSD PN Single	MSD PN 4-Pack	Pre-Gap Setting**
<b>560SL</b>						
1989-86	V8 5.6L		11R5Y	3733	37334	0.035
<b>600</b>						
1972-67	V8 6.3L		N/A	N/A	N/A	
<b>600SEC</b>						
1993	V12 6.0L		71R5Y	3725	37254	0.040
<b>600SEL</b>						
1993-92	V12 6.0L		71R5Y	3725	37254	0.040
<b>600SL</b>						
1993	V12 6.0L		71R5Y	3725	37254	0.040
<b>C32 AMG</b>						
2004-02	V6 3.2L		71R6Y *	3727	37274	0.043
<b>C36 AMG</b>						
1997	L6 3.6L		71R5Y	3725	37254	0.040
1997	L6 3.6L	3 CPBs Req	71R5Y	3725	37254	0.040
1996	L6 3.6L	From Eng. 011794;	71R5Y	3725	37254	0.040
1996	L6 3.6L	To Eng. 011793;	71R5Y	3725	37254	0.040
1996	L6 3.6L	3 CPBs Req	71R5Y	3725	37254	0.040
1995	L6 3.6L		71R5Y	3725	37254	0.040
1995	L6 3.6L	3 CPBs Req	71R5Y	3725	37254	0.040
<b>C43 AMG</b>						
2000-98	V8 4.3L		71R5Y	3725	37254	0.040
<b>C55 AMG</b>						
2006-05	V8 5.5L		71R6Y *	3727	37274	0.043
<b>C63 AMG</b>						
2011-08	V8 6.3L		N/A	N/A	N/A	
<b>C220</b>						
1996	L4 2.2L		71R5Y	3725	37254	0.040
1995	L4 2.2L	From Eng. 017354	71R5Y	3725	37254	0.040
1995	L4 2.2L	To Eng. 017353	71R5Y	3725	37254	0.040
1994	L4 2.2L		71R5Y	3725	37254	0.040
<b>C230</b>						
2009-08	V6 2.5L	6 CPBs Req	N/A	N/A	N/A	
2007-06	V6 2.5L	6 CPBs Req	N/A	N/A	N/A	
2005-03	L4 1.8L	4 CPBs Req	N/A	N/A	N/A	
2002	L4 2.3L	4 CPBs Req	71R6Y *	3727	37274	0.043
2000-99	L4 2.3L	2 CPBs Req	N/A	N/A	N/A	
1998-97	L4 2.3L	2 CPBs Req	71R5Y	3725	37254	0.040
<b>C240</b>						
2005	V6 2.6L	Eng 112.912	71R5Y	3725	37254	0.040
2005	V6 2.6L	Eng 112.916	71R5Y	3725	37254	0.040
2004-03	V6 2.6L	Eng 112.912	71R5Y	3725	37254	0.040
2004-03	V6 2.6L	Eng 112.916	71R5Y	3725	37254	0.040
2002-01	V6 2.6L		71R5Y	3725	37254	0.040
<b>C250</b>						
2011	V6 2.5L		N/A	N/A	N/A	
2010	V6 2.5L	6 CPBs Req	N/A	N/A	N/A	
<b>C280</b>						
2007-06	V6 3.0L	6 CPBs Req	N/A	N/A	N/A	
2000-99	V6 2.8L		71R5Y	3725	37254	0.040
1998	V6 2.8L		71R5Y	3725	37254	0.040
1997	L6 2.8L		71R5Y	3725	37254	0.040
1997	L6 2.8L	3 CPBs Req	71R5Y	3725	37254	0.040
1996	L6 2.8L	From Eng. 011794	71R5Y	3725	37254	0.040
1996	L6 2.8L	To Eng. 011793	71R5Y	3725	37254	0.040
1996	L6 2.8L	3 CPBs Req	71R5Y	3725	37254	0.040
1995-94	L6 2.8L		71R5Y	3725	37254	0.040
1995-94	L6 2.8L	3 CPBs Req	71R5Y	3725	37254	0.040
<b>C300</b>						
2011	V6 3.0L		N/A	N/A	N/A	
2010-08	V6 3.0L	6 CPBs Req	N/A	N/A	N/A	
<b>C320</b>						
2005	V6 3.2L		71R5Y	3725	37254	0.040
2004-03	V6 3.2L		71R5Y	3725	37254	0.040
2002-01	V6 3.2L		71R5Y	3725	37254	0.040

118 \* Short Style 6 Series - PN 3741 (single), PN 37414 (4pk) - Pre-gapped 0.035  
 \* Short Style 7 Series - PN 3742 (single), PN 37424 (4pk) - Pre-gapped 0.035

CPB's = Coil Plug Boots  
 \*\* Pre-gapped for optimal performance.



Make Model Year	Engine Size	Notes:	Plug Type	MSD PN Single	MSD PN 4-Pack	Pre-Gap Setting**
<b>C350</b>						
2011	V6 3.5L		N/A	N/A	N/A	
2010-07	V6 3.5L	6 CPBs Req	N/A	N/A	N/A	
2006	V6 3.5L	Eng 272.960, 6 CPBs Req	N/A	N/A	N/A	
2006	V6 3.5L	Eng 272.970, 6 CPBs Req	N/A	N/A	N/A	
<b>CL55 AMG</b>						
2006-05	V8 5.5L		N/A	N/A	N/A	
2004	V8 5.5L		N/A	N/A	N/A	
2003	V8 5.5L		N/A	N/A	N/A	
2002-01	V8 5.5L		7IR5Y	3725	37254	0.040
<b>CL63 AMG</b>						
2010-08	V8 6.3L		N/A	N/A	N/A	
<b>CL65 AMG</b>						
2011	V12 6.0L		7IR6Y *	3727	37274	0.043
2010-08	V12 6.0L		7IR6Y *	3727	37274	0.043
2006-05	V12 6.0L		7IR6Y *	3727	37274	0.043
<b>CL500</b>						
2006-05	V8 5.0L		7IR5Y	3725	37254	0.040
2004-03	V8 5.0L		7IR5Y	3725	37254	0.040
2002	V8 5.0L		7IR5Y	3725	37254	0.040
1999-98	V8 5.0L	8 CPBs Req	7IR5Y	3725	37254	0.040
<b>CL550</b>						
2010-07	V8 5.5L	8 CPBs Req	N/A	N/A	N/A	
<b>CL600</b>						
2011-07	V12 5.5L		7IR6Y *	3727	37274	0.043
2006-05	V12 5.5L		7IR6Y *	3727	37274	0.043
2004	V12 5.5L		7IR6Y *	3727	37274	0.043
2003	V12 5.5L		7IR6Y *	3727	37274	0.043
2002	V12 5.8L		7IR6Y *	3727	37274	0.043
2001	V12 5.8L		7IR5Y	3725	37254	0.040
1999-98	V12 6.0L		7IR5Y	3725	37254	0.040
<b>CLK55 AMG</b>						
2006-03	V8 5.5L		7IR6Y *	3727	37274	0.043
2002-01	V8 5.5L		7IR5Y	3725	37254	0.040
<b>CLK63 AMG</b>						
2009-07	V8 6.3L		N/A	N/A	N/A	
<b>CLK320</b>						
2005	V6 3.2L		7IR5Y	3725	37254	0.040
2004-03	V6 3.2L		7IR5Y	3725	37254	0.040
2002-98	V6 3.2L		7IR5Y	3725	37254	0.040
<b>CLK350</b>						
2009-06	V6 3.5L	6 CPBs Req	N/A	N/A	N/A	
<b>CLK430</b>						
2003	V8 4.3L		7IR5Y	3725	37254	0.040
2002-99	V8 4.3L		7IR5Y	3725	37254	0.040
<b>CLK500</b>						
2006-05	V8 5.0L		7IR5Y	3725	37254	0.040
2004-03	V8 5.0L		7IR5Y	3725	37254	0.040
<b>CLK550</b>						
2009-07	V8 5.5L	8 CPBs Req	N/A	N/A	N/A	
<b>CLS55 AMG</b>						
2006	V8 5.5L		N/A	N/A	N/A	
<b>CLS63 AMG</b>						
2011-07	V8 6.3L		N/A	N/A	N/A	
<b>CLS500</b>						
2006	V8 5.0L		7IR5Y	3725	37254	0.040
<b>CLS550</b>						
2011-10	V8 5.5L		N/A	N/A	N/A	
2009-07	V8 5.5L	8 CPBs Req	N/A	N/A	N/A	
<b>E55 AMG</b>						
2006-03	V8 5.5L		N/A	N/A	N/A	
2002-99	V8 5.5L		7IR5Y	3725	37254	0.040
<b>E63 AMG</b>						
2011-07	V8 6.3L		N/A	N/A	N/A	

CPB's = Coil Plug Boots  
 \*\* Pre-gapped for optimal performance.

Make Model Year	Engine Size	Notes:	Plug Type	MSD PN Single	MSD PN 4-Pack	Pre-Gap Setting**
<b>E280</b>						
2007	V6 3.0L	6 CPBs Req	N/A	N/A	N/A	
<b>E300</b>						
2009-08	V6 3.0L	6 CPBs Req	N/A	N/A	N/A	
1999-95	L6 3.0L		N/A	N/A	N/A	
<b>E320</b>						
2006	L6 3.2L		N/A	N/A	N/A	
2005	L6 3.2L		N/A	N/A	N/A	
2005	V6 3.2L		7IR5Y	3725	37254	0.040
2004-98	V6 3.2L		7IR5Y	3725	37254	0.040
1997	L6 3.2L		7IR5Y	3725	37254	0.040
1997	L6 3.2L	3 CPBs Req	7IR5Y	3725	37254	0.040
1996	L6 3.2L	Early;	7IR5Y	3725	37254	0.040
1996	L6 3.2L	Late;	7IR5Y	3725	37254	0.040
1996	L6 3.2L	3 CPBs Req	7IR5Y	3725	37254	0.040
1995-94	L6 3.2L		7IR5Y	3725	37254	0.040
1995-94	L6 3.2L	3 CPBs Req	7IR5Y	3725	37254	0.040
<b>E350</b>						
2011	V6 3.5L		N/A	N/A	N/A	
2010	V6 3.5L	Eng 272.977, 6 CPBs Req	N/A	N/A	N/A	
2010	V6 3.5L	Eng 272.980, 6 CPBs Req	N/A	N/A	N/A	
2009-06	V6 3.5L	6 CPBs Req	N/A	N/A	N/A	
<b>E420</b>						
1997	V8 4.2L	8 CPBs Req	7IR5Y	3725	37254	0.040
1995-94	V8 4.2L		7IR5Y	3725	37254	0.040
<b>E430</b>						
2002-98	V8 4.3L		7IR5Y	3725	37254	0.040
<b>E500</b>						
2006	V8 5.0L		7IR5Y	3725	37254	0.040
2005	V8 5.0L	Eng 113.969	7IR5Y	3725	37254	0.040
2004	V8 5.0L	Eng 113.969	7IR5Y	3725	37254	0.040
2003	V8 5.0L		7IR5Y	3725	37254	0.040
1994	V8 5.0L		7IR5Y	3725	37254	0.040
<b>E550</b>						
2011	V8 5.5L		N/A	N/A	N/A	
2010	V8 5.5L	Eng 273.966, 8 CPBs Req	N/A	N/A	N/A	
2010	V8 5.5L	Eng 273.971, 8 CPBs Req	N/A	N/A	N/A	
2009-07	V8 5.5L	8 CPBs Req	N/A	N/A	N/A	
<b>G55 AMG</b>						
2011-06	V8 5.5L		N/A	N/A	N/A	
2005	V8 5.5L		N/A	N/A	N/A	
2004	V8 5.5L		7IR5Y	3725	37254	0.040
2003	V8 5.5L		7IR5Y	3725	37254	0.040
<b>G500</b>						
2008-07	V8 5.0L		7IR5Y	3725	37254	0.040
2006	V8 5.0L		7IR5Y	3725	37254	0.040
2005	V8 5.0L		7IR5Y	3725	37254	0.040
2004	V8 5.0L		7IR5Y	3725	37254	0.040
2003	V8 5.0L		7IR5Y	3725	37254	0.040
2002	V8 5.0L		7IR5Y	3725	37254	0.040
<b>G550</b>						
2011-10	V8 5.5L		N/A	N/A	N/A	
2009	V8 5.5L	8 CPBs Req	N/A	N/A	N/A	
<b>GL450</b>						
2011	V8 4.6L		N/A	N/A	N/A	
2010-07	V8 4.6L	8 CPBs Req	N/A	N/A	N/A	
<b>GL550</b>						
2011	V8 5.5L		N/A	N/A	N/A	
2010-08	V8 5.5L	8 CPBs Req	N/A	N/A	N/A	
<b>GLK350</b>						
2011	V6 3.5L		N/A	N/A	N/A	
2010	V6 3.5L	6 CPBs Req	N/A	N/A	N/A	
<b>ML55 AMG</b>						
2003	V8 5.5L		7IR5Y	3725	37254	0.040
<b>ML63 AMG</b>						
2011-07	V8 6.3L		N/A	N/A	N/A	

\* Short Style 6 Series - PN 3741 (single), PN 37414 (4pk) - Pre-gapped 0.035  
 \* Short Style 7 Series - PN 3742 (single), PN 37424 (4pk) - Pre-gapped 0.035



## Mercedes-Benz ML320

Make Model Year	Engine Size	Notes:	Plug Type	MSD PN Single	MSD PN 4-Pack	Pre-Gap Setting**
<b>ML320</b>						
2003-98	V6 3.2L		71R5Y	3725	37254	0.040
<b>ML350</b>						
2011	V6 3.5L		N/A	N/A	N/A	
2010-06	V6 3.5L	6 CPBs Req	N/A	N/A	N/A	
2005	V6 3.7L		71R5Y	3725	37254	0.040
2004-03	V6 3.7L		71R5Y	3725	37254	0.040
<b>ML430</b>						
2001-99	V8 4.3L		71R5Y	3725	37254	0.040
<b>ML450</b>						
2011	V6 3.5L		N/A	N/A	N/A	
2010	V6 3.5L	6 CPBs Req	N/A	N/A	N/A	
<b>ML500</b>						
2007	V8 5.0L		71R5Y	3725	37254	0.040
2006-05	V8 5.0L	8 CPBs Req	N/A	N/A	N/A	
2004	V8 5.0L		71R5Y	3725	37254	0.040
2003	V8 5.0L		71R5Y	3725	37254	0.040
2002	V8 5.0L		71R5Y	3725	37254	0.040
<b>ML550</b>						
2011	V8 5.5L		111R4Y	3731	37314	0.035
2010-08	V8 5.5L	8 CPBs Req	N/A	N/A	N/A	
<b>R63 AMG</b>						
2007	V8 6.3L		N/A	N/A	N/A	
<b>R350</b>						
2011	V6 3.5L		N/A	N/A	N/A	
2010-06	V6 3.5L	6 CPBs Req	N/A	N/A	N/A	
<b>R500</b>						
2007-06	V8 5.0L		71R5Y	3725	37254	0.040
<b>S55 AMG</b>						
2006-05	V8 5.5L		N/A	N/A	N/A	
2004	V8 5.5L		N/A	N/A	N/A	
2003	V8 5.5L		N/A	N/A	N/A	
2002-01	V8 5.5L		71R5Y	3725	37254	0.040
<b>S63 AMG</b>						
2010-08	V8 6.3L		N/A	N/A	N/A	
<b>S65 AMG</b>						
2011	V12 6.0L		71R6Y *	3727	37274	0.043
2010-07	V12 6.0L		71R6Y *	3727	37274	0.043
2006	V12 6.0L		71R6Y *	3727	37274	0.043
<b>S320</b>						
1999-97	L6 3.2L		71R5Y	3725	37254	0.040
1999-97	L6 3.2L	3 CPBs Req	71R5Y	3725	37254	0.040
1996	L6 3.2L	From Eng. 016469;	71R5Y	3725	37254	0.040
1996	L6 3.2L	To Eng. 016468;	71R5Y	3725	37254	0.040
1996	L6 3.2L	3 CPBs Req	71R5Y	3725	37254	0.040
1995-94	L6 3.2L		71R5Y	3725	37254	0.040
1995-94	L6 3.2L	3 CPBs Req	71R5Y	3725	37254	0.040
<b>S350</b>						
2006	V6 3.7L	6 CPBs Req	N/A	N/A	N/A	
1995-94	L6 3.4L		N/A	N/A	N/A	
<b>S400</b>						
2011	V6 3.5L		N/A	N/A	N/A	
2010	V6 3.5L	6 CPBs Req	N/A	N/A	N/A	
<b>S420</b>						
1999-98	V8 4.2L	8 CPBs Req	71R5Y	3725	37254	0.040
1997-96	V8 4.2L	8 CPBs Req	71R5Y	3725	37254	0.040
1995-94	V8 4.2L		71R5Y	3725	37254	0.040
<b>S430</b>						
2006	V8 4.3L		71R5Y	3725	37254	0.040
2005-04	V8 4.3L	Eng 113.948	71R5Y	3725	37254	0.040
2003	V8 4.3L		71R5Y	3725	37254	0.040
<b>S450</b>						
2009	V8 4.6L	8 CPBs Req	N/A	N/A	N/A	

Make Model Year	Engine Size	Notes:	Plug Type	MSD PN Single	MSD PN 4-Pack	Pre-Gap Setting**
<b>S500</b>						
2006	V8 5.0L		71R5Y	3725	37254	0.040
2005	V8 5.0L		71R5Y	3725	37254	0.040
2004	V8 5.0L		71R5Y	3725	37254	0.040
2003	V8 5.0L		71R5Y	3725	37254	0.040
2002-01	V8 5.0L		71R5Y	3725	37254	0.040
2000	V8 5.0L		71R5Y	3725	37254	0.040
1999-98	V8 5.0L	8 CPBs Req	71R5Y	3725	37254	0.040
1997-96	V8 5.0L	8 CPBs Req	71R5Y	3725	37254	0.040
1995-94	V8 5.0L		71R5Y	3725	37254	0.040
<b>S550</b>						
2011	V8 5.5L		N/A	N/A	N/A	
2010-07	V8 5.5L	8 CPBs Req	N/A	N/A	N/A	
<b>S600</b>						
2011-07	V12 5.5L		71R6Y *	3727	37274	0.043
2006-05	V12 5.5L		71R6Y *	3727	37274	0.043
2004	V12 5.5L		71R6Y *	3727	37274	0.043
2003	V12 5.5L		71R6Y *	3727	37274	0.043
2002	V12 5.8L		71R6Y *	3727	37274	0.043
2001	V12 5.8L		71R5Y	3725	37254	0.040
1999-98	V12 6.0L		71R5Y	3725	37254	0.040
1997-94	V12 6.0L		71R5Y	3725	37254	0.040
<b>SL55 AMG</b>						
2008-07	V8 5.5L		N/A	N/A	N/A	
2006-03	V8 5.5L		N/A	N/A	N/A	
<b>SL63 AMG</b>						
2011-09	V8 6.3L		N/A	N/A	N/A	
<b>SL65 AMG</b>						
2011-07	V12 6.0L		71R6Y *	3727	37274	0.043
2006-05	V12 6.0L		71R6Y *	3727	37274	0.043
<b>SL320</b>						
1997	L6 3.2L		71R5Y	3725	37254	0.040
1997	L6 3.2L	3 CPBs Req	71R5Y	3725	37254	0.040
1996	L6 3.2L	From Eng. 016469;	71R5Y	3725	37254	0.040
1996	L6 3.2L	To Eng. 016468;	71R5Y	3725	37254	0.040
1996	L6 3.2L	3 CPBs Req	71R5Y	3725	37254	0.040
1995-94	L6 3.2L		71R5Y	3725	37254	0.040
1995-94	L6 3.2L	3 CPBs Req	71R5Y	3725	37254	0.040
<b>SL500</b>						
2006-05	V8 5.0L		71R5Y	3725	37254	0.040
2004	V8 5.0L		71R5Y	3725	37254	0.040
2003	V8 5.0L		71R5Y	3725	37254	0.040
2002-01	V8 5.0L		71R5Y	3725	37254	0.040
2000-99	V8 5.0L		71R5Y	3725	37254	0.040
1998	V8 5.0L	8 CPBs Req	71R5Y	3725	37254	0.040
1997-96	V8 5.0L	8 CPBs Req	71R5Y	3725	37254	0.040
1995-94	V8 5.0L		71R5Y	3725	37254	0.040
<b>SL550</b>						
2011-10	V8 5.5L		N/A	N/A	N/A	
2009-07	V8 5.5L	8 CPBs Req	N/A	N/A	N/A	
<b>SL600</b>						
2011	V12 5.5L		71R6Y *	3727	37274	0.043
2010	V12 5.5L		71R6Y *	3727	37274	0.043
2009-07	V12 5.5L		71R6Y *	3727	37274	0.043
2006-04	V12 5.5L		71R6Y *	3727	37274	0.043
2002-98	V12 6.0L		71R5Y	3725	37254	0.040
1997-94	V12 6.0L		71R5Y	3725	37254	0.040
<b>SLK32 AMG</b>						
2004-02	V6 3.2L		71R6Y *	3727	37274	0.043
<b>SLK55 AMG</b>						
2011-05	V8 5.5L		71R6Y *	3727	37274	0.043
<b>SLK230</b>						
2004-01	L4 2.3L	4 CPBs Req	71R6Y *	3727	37274	0.043
2000-98	L4 2.3L	2 CPBs Req	71R5Y	3725	37254	0.040





Make Model Year	Engine Size	Notes:	Plug Type	MSD PN Single	MSD PN 4-Pack	Pre-Gap Setting**
<b>SLK280</b>						
2008-06	V6 3.0L	6 CPBs Req	N/A	N/A	N/A	
<b>SLK300</b>						
2011	V6 3.0L		N/A	N/A	N/A	
2010-09	V6 3.0L	6 CPBs Req	N/A	N/A	N/A	
<b>SLK320</b>						
2004-03	V6 3.2L		7IR5Y	3725	37254	0.040
2002-01	V6 3.2L		7IR5Y	3725	37254	0.040
<b>SLK350</b>						
2011	V6 3.5L		N/A	N/A	N/A	
2010-05	V6 3.5L	6 CPBs Req	N/A	N/A	N/A	
<b>SLR McLaren</b>						
2009-06	V8 5.5L		N/A	N/A	N/A	
2005	V8 5.5L		N/A	N/A	N/A	
<b>Mercury</b>						
<b>Bobcat</b>						
1980	L4 2.3L		1IR5Y	3713	37134	0.043
1979-77	L4 2.3L		1IR5Y	3713	37134	0.043
1979-77	V6 2.8L		1IR5Y	3713	37134	0.043
1976-75	L4 2.3L		1IR5Y	3713	37134	0.043
1976-75	V6 2.8L		11IR4Y	3731	37314	0.035
<b>Breezeway</b>						
1967	V8 6.4L		16IR5Y	3744	37444	0.035
1967	V8 6.7L		16IR5Y	3744	37444	0.035
1967	V8 7.0L		16IR5Y	3744	37444	0.035
1966	V8 6.4L		16IR5Y	3744	37444	0.035
1966	V8 6.7L		16IR5Y	3744	37444	0.035
1966	V8 7.0L	427ci Engine	16IR5Y	3744	37444	0.035
1966	V8 7.0L	428ci Engine	16IR5Y	3744	37444	0.035
1965	V8 6.4L		16IR5Y	3744	37444	0.035
1965	V8 7.0L		16IR5Y	3744	37444	0.035
<b>Brougham</b>						
1967	V8 6.7L		16IR5Y	3744	37444	0.035
1967	V8 7.0L		16IR5Y	3744	37444	0.035
<b>Caliente</b>						
1967	L6 3.3L		16IR5Y	3744	37444	0.035
1967	V8 4.7L		16IR5Y	3744	37444	0.035
1967	V8 6.4L		16IR5Y	3744	37444	0.035
1966	L6 3.3L		16IR5Y	3744	37444	0.035
1966	V8 4.7L		16IR5Y	3744	37444	0.035
1966	V8 6.4L		16IR5Y	3744	37444	0.035
1965	L6 3.3L		16IR5Y	3744	37444	0.035
1965	V8 4.7L		16IR5Y	3744	37444	0.035
1965	V8 7.0L		16IR5Y	3744	37444	0.035
1964	L6 3.3L		16IR5Y	3744	37444	0.035
1964	V8 4.3L		16IR5Y	3744	37444	0.035
1964	V8 4.7L		16IR5Y	3744	37444	0.035
<b>Capri</b>						
1994-91	L4 1.6L		7IR6Y *	3727	37274	0.043
1986	L4 2.3L		2IR5L	3715	37154	0.043
1986	V6 3.8L		2IR5L	3715	37154	0.043
1986	V8 5.0L		2IR5L	3715	37154	0.043
1985	L4 2.3L		2IR5L	3715	37154	0.043
1985	V6 3.8L		2IR5L	3715	37154	0.043
1985	V8 5.0L		6IR4Y	3720	37204	0.035
1984	L4 2.3L	Naturally Aspirated	2IR5L	3715	37154	0.043
1984	L4 2.3L	Turbo	1IR5Y	3713	37134	0.043
1984	V6 3.8L		2IR5L	3715	37154	0.043
1984	V8 5.0L		6IR4Y	3720	37204	0.035
1983	L4 2.3L	Naturally Aspirated	2IR5L	3715	37154	0.043
1983	L4 2.3L	Turbo	1IR5Y	3713	37134	0.043
1983	V6 3.8L		1IR5Y	3713	37134	0.043
1983	V8 5.0L		6IR4Y	3720	37204	0.035
1982	L4 2.3L	Naturally Aspirated	1IR5Y	3713	37134	0.043
1982	L4 2.3L	Turbo	1IR5Y	3713	37134	0.043
1982	L6 3.3L		16IR5Y	3744	37444	0.035
1982	V8 4.2L		6IR4Y	3720	37204	0.035

CPB's = Coil Plug Boots  
 \*\* Pre-gapped for optimal performance.

Make Model Year	Engine Size	Notes:	Plug Type	MSD PN Single	MSD PN 4-Pack	Pre-Gap Setting**
1982	V8 5.0L		6IR4Y	3720	37204	0.035
1981-80	L4 2.3L		1IR5Y	3713	37134	0.043
1981-80	L6 3.3L		16IR5Y	3744	37444	0.035
1981-80	V8 4.2L		6IR4Y	3720	37204	0.035
1979	L4 2.3L	Naturally Aspirated	1IR5Y	3713	37134	0.043
1979	L4 2.3L	Turbo	1IR5Y	3713	37134	0.043
1979	L6 3.3L		16IR5Y	3744	37444	0.035
1979	V6 2.8L		1IR5Y	3713	37134	0.043
1979	V8 5.0L		6IR4Y	3720	37204	0.035
1977	L4 2.3L		1IR5Y	3713	37134	0.043
1977	V6 2.8L		1IR5Y	3713	37134	0.043
1976	L4 2.3L		1IR5Y	3713	37134	0.043
1976	V6 2.8L		11IR4Y	3731	37314	0.035
1974	L4 2.0L		16IR5Y	3744	37444	0.035
1974	V6 2.8L		11IR4Y	3731	37314	0.035
1973	L4 2.0L		16IR5Y	3744	37444	0.035
1973	V6 2.6L		11IR4Y	3731	37314	0.035
1972	L4 1.6L		11IR4Y	3731	37314	0.035
1972	L4 2.0L		16IR5Y	3744	37444	0.035
1972	V6 2.6L		11IR4Y	3731	37314	0.035
1971	L4 1.6L		11IR4Y	3731	37314	0.035
1971	L4 2.0L		16IR5Y	3744	37444	0.035
1967-66	L6 3.3L		16IR5Y	3744	37444	0.035
<b>Colony Park</b>						
1991-87	V8 5.0L		2IR5L	3715	37154	0.043
1974	V8 6.6L		6IR4Y	3720	37204	0.035
1974	V8 7.5L	California	6IR4Y	3720	37204	0.035
1974	V8 7.5L	Non-California	6IR4Y	3720	37204	0.035
1973	V8 5.8L	Cleveland Engine	6IR4Y	3720	37204	0.035
1973	V8 5.8L	Windsor Engine	16IR5Y	3744	37444	0.035
1973	V8 6.6L		6IR4Y	3720	37204	0.035
1973	V8 7.0L		6IR4Y	3720	37204	0.035
1973	V8 7.5L		6IR4Y	3720	37204	0.035
1972	V8 5.8L	Cleveland Engine	6IR4Y	3720	37204	0.035
1972	V8 5.8L	Windsor Engine	16IR5Y	3744	37444	0.035
1972	V8 6.6L		6IR4Y	3720	37204	0.035
1972	V8 7.0L	14mm Heads	6IR4Y	3720	37204	0.035
1972	V8 7.0L	18mm Heads	16IR5Y	3744	37444	0.035
1972	V8 7.5L		16IR5Y	3744	37444	0.035
1971	V8 5.8L	Cleveland Engine	6IR4Y	3720	37204	0.035
1971	V8 5.8L	Windsor Engine	16IR5Y	3744	37444	0.035
1971	V8 6.6L		6IR4Y	3720	37204	0.035
1971	V8 7.0L	14mm Heads	6IR4Y	3720	37204	0.035
1971	V8 7.0L	18mm Heads	16IR5Y	3744	37444	0.035
1970	V8 6.4L		16IR5Y	3744	37444	0.035
1970	V8 7.0L	Vin K, 14mm Heads	6IR4Y	3720	37204	0.035
1970	V8 7.0L	Vin K, 18mm Heads	16IR5Y	3744	37444	0.035
1970	V8 7.0L	Vin N, 18mm Heads	16IR5Y	3744	37444	0.035
1969	V8 6.4L		16IR5Y	3744	37444	0.035
1969	V8 7.0L	Vin K	16IR5Y	3744	37444	0.035
1969	V8 7.0L	Vin N	16IR5Y	3744	37444	0.035
1968	V8 6.4L		16IR5Y	3744	37444	0.035
1968	V8 7.0L		16IR5Y	3744	37444	0.035
1967-66	V8 6.4L		16IR5Y	3744	37444	0.035
1967-66	V8 6.7L		16IR5Y	3744	37444	0.035
1967-66	V8 7.0L		16IR5Y	3744	37444	0.035
1965	V8 6.4L		16IR5Y	3744	37444	0.035
1965	V8 7.0L		16IR5Y	3744	37444	0.035
1964-63	V8 6.4L		16IR5Y	3744	37444	0.035
1962	L6 3.6L		16IR5Y	3744	37444	0.035
1962	V8 4.8L		16IR5Y	3744	37444	0.035
1962	V8 5.8L		16IR5Y	3744	37444	0.035
1962	V8 6.4L		16IR5Y	3744	37444	0.035
1961	L6 3.6L		16IR5Y	3744	37444	0.035
1961	V8 4.8L		16IR5Y	3744	37444	0.035
1961	V8 5.8L		16IR5Y	3744	37444	0.035
1960	V8 5.1L		16IR5Y	3744	37444	0.035
1959	V8 5.1L		16IR5Y	3744	37444	0.035
1959	V8 6.3L		16IR5Y	3744	37444	0.035

\* Short Style 6 Series - PN 3741 (single), PN 37414 (4pk) - Pre-gapped 0.035  
 \* Short Style 7 Series - PN 3742 (single), PN 37424 (4pk) - Pre-gapped 0.035



**Mercury Colony Park continued**

Make Model Year	Engine Size	Notes:	Plug Type	MSD PN Single	MSD PN 4-Pack	Pre-Gap Setting**
1959	V8 7.0L		16IR5Y	3744	37444	0.035
1958	V8 6.3L		16IR5Y	3744	37444	0.035
1958	V8 7.0L		16IR5Y	3744	37444	0.035
1957	V8 6.0L		16IR5Y	3744	37444	0.035
<b>Comet</b>						
1977	L6 3.3L		16IR5Y	3744	37444	0.035
1977	L6 4.1L		16IR5Y	3744	37444	0.035
1977	V8 5.0L		6IR4Y	3720	37204	0.035
1976-75	L6 3.3L		16IR5Y	3744	37444	0.035
1976-75	L6 4.1L		16IR5Y	3744	37444	0.035
1976-75	V8 5.0L		6IR4Y	3720	37204	0.035
1974-73	L6 3.3L		16IR5Y	3744	37444	0.035
1974-73	L6 4.1L		16IR5Y	3744	37444	0.035
1974-73	V8 5.0L		6IR4Y	3720	37204	0.035
1972-71	L6 2.8L		16IR5Y	3744	37444	0.035
1972-71	L6 3.3L		16IR5Y	3744	37444	0.035
1972-71	L6 4.1L		16IR5Y	3744	37444	0.035
1972-71	V8 5.0L		6IR4Y	3720	37204	0.035
1969	L6 4.1L		16IR5Y	3744	37444	0.035
1969	V8 5.0L		16IR5Y	3744	37444	0.035
1969	V8 5.8L		16IR5Y	3744	37444	0.035
1969	V8 6.4L		16IR5Y	3744	37444	0.035
1968	L6 3.3L		16IR5Y	3744	37444	0.035
1968	V8 4.7L		16IR5Y	3744	37444	0.035
1968	V8 5.0L		16IR5Y	3744	37444	0.035
1968	V8 6.4L		16IR5Y	3744	37444	0.035
1967-66	L6 3.3L		16IR5Y	3744	37444	0.035
1967-66	V8 4.7L		16IR5Y	3744	37444	0.035
1967-66	V8 6.4L		16IR5Y	3744	37444	0.035
1967-66	V8 7.0L		16IR5Y	3744	37444	0.035
1965	L6 3.3L		16IR5Y	3744	37444	0.035
1965	V8 4.7L		16IR5Y	3744	37444	0.035
1965	V8 7.0L		16IR5Y	3744	37444	0.035
1964	L6 2.8L		16IR5Y	3744	37444	0.035
1964	L6 3.3L		16IR5Y	3744	37444	0.035
1964	V8 4.3L		16IR5Y	3744	37444	0.035
1964	V8 4.3L		16IR5Y	3744	37444	0.035
1963	L6 2.4L		16IR5Y	3744	37444	0.035
1963	L6 2.8L		16IR5Y	3744	37444	0.035
1963	V8 4.3L		16IR5Y	3744	37444	0.035
1962-61	L6 2.4L		16IR5Y	3744	37444	0.035
1962-61	L6 2.8L		16IR5Y	3744	37444	0.035
1960	L6 2.4L		16IR5Y	3744	37444	0.035
<b>Commuter</b>						
1968	V8 6.4L		16IR5Y	3744	37444	0.035
1968	V8 7.0L		16IR5Y	3744	37444	0.035
1967	V8 4.7L		16IR5Y	3744	37444	0.035
1967	V8 6.4L		16IR5Y	3744	37444	0.035
1967	V8 6.7L		16IR5Y	3744	37444	0.035
1967	V8 7.0L		16IR5Y	3744	37444	0.035
1966	V8 6.4L		16IR5Y	3744	37444	0.035
1966	V8 6.7L		16IR5Y	3744	37444	0.035
1966	V8 7.0L		16IR5Y	3744	37444	0.035
1965	V8 6.4L		16IR5Y	3744	37444	0.035
1965	V8 7.0L		16IR5Y	3744	37444	0.035
1964	V8 6.4L		16IR5Y	3744	37444	0.035
1962	V8 6.4L		16IR5Y	3744	37444	0.035
1961	L6 3.6L		16IR5Y	3744	37444	0.035
1961	V8 4.8L		16IR5Y	3744	37444	0.035
1961	V8 5.8L		16IR5Y	3744	37444	0.035
1961	V8 6.4L		16IR5Y	3744	37444	0.035
1960	V8 5.1L		16IR5Y	3744	37444	0.035
1959	V8 5.1L		16IR5Y	3744	37444	0.035
1959	V8 6.3L		16IR5Y	3744	37444	0.035
1959	V8 7.0L		16IR5Y	3744	37444	0.035
1958	V8 5.1L		16IR5Y	3744	37444	0.035
1958	V8 6.3L		16IR5Y	3744	37444	0.035
1957	V8 5.1L		16IR5Y	3744	37444	0.035
1957	V8 6.0L		16IR5Y	3744	37444	0.035

Make Model Year	Engine Size	Notes:	Plug Type	MSD PN Single	MSD PN 4-Pack	Pre-Gap Setting**
<b>Cougar</b>						
2002	L4 2.0L		5IR5Y	3719	37194	0.040
2002	V6 2.5L		1IR5Y	3713	37134	0.043
2001	L4 2.0L		5IR5Y	3719	37194	0.040
2001	V6 2.5L		1IR5Y	3713	37134	0.043
2000-99	L4 2.0L		5IR5Y	3719	37194	0.040
2000-99	V6 2.5L		1IR5Y	3713	37134	0.043
1997-96	V6 3.8L		2IR5L	3715	37154	0.043
1997-96	V8 4.6L		1IR5Y	3713	37134	0.043
1995	V6 3.8L		2IR5L	3715	37154	0.043
1995	V8 4.6L		1IR5Y	3713	37134	0.043
1994	V6 3.8L		2IR5L	3715	37154	0.043
1994	V8 4.6L		1IR5Y	3713	37134	0.043
1993	V6 3.8L		2IR5L	3715	37154	0.043
1993	V8 5.0L		6IR4Y	3720	37204	0.035
1992-91	V6 3.8L		2IR5L	3715	37154	0.043
1992-91	V8 5.0L		6IR4Y	3720	37204	0.035
1990-89	V6 3.8L		2IR5L	3715	37154	0.043
1988-87	V6 3.8L		2IR5L	3715	37154	0.043
1988-87	V8 5.0L		2IR5L	3715	37154	0.043
1986	L4 2.3L		1IR5Y	3713	37134	0.043
1986	V6 3.8L		2IR5L	3715	37154	0.043
1986	V8 5.0L		2IR5L	3715	37154	0.043
1985	L4 2.3L		1IR5Y	3713	37134	0.043
1985	V6 3.8L		2IR5L	3715	37154	0.043
1985	V8 5.0L		6IR4Y	3720	37204	0.035
1984	L4 2.3L		1IR5Y	3713	37134	0.043
1984	V6 3.8L		2IR5L	3715	37154	0.043
1984	V8 5.0L		6IR4Y	3720	37204	0.035
1983	V6 3.8L		2IR5L	3715	37154	0.043
1983	V8 5.0L		6IR4Y	3720	37204	0.035
1982	L4 2.3L		1IR5Y	3713	37134	0.043
1982	L6 3.3L		16IR5Y	3744	37444	0.035
1982	V6 3.8L		7IR4Y	3724	37244	0.040
1982	V8 4.2L		6IR4Y	3720	37204	0.035
1981	L4 2.3L		1IR5Y	3713	37134	0.043
1981	L6 3.3L		16IR5Y	3744	37444	0.035
1981	V8 4.2L		6IR4Y	3720	37204	0.035
1981	V8 5.0L		6IR4Y	3720	37204	0.035
1980	L6 3.3L		16IR5Y	3744	37444	0.035
1980	V8 4.2L		6IR4Y	3720	37204	0.035
1980	V8 5.0L		6IR4Y	3720	37204	0.035
1979	V8 5.0L		6IR4Y	3720	37204	0.035
1979	V8 5.8L		6IR4Y	3720	37204	0.035
1978-77	V8 5.0L		6IR4Y	3720	37204	0.035
1978-77	V8 5.8L		6IR4Y	3720	37204	0.035
1978-77	V8 6.6L		6IR4Y	3720	37204	0.035
1976-75	V8 5.8L		6IR4Y	3720	37204	0.035
1976-75	V8 6.6L		6IR4Y	3720	37204	0.035
1976-75	V8 7.5L		6IR4Y	3720	37204	0.035
1974	V8 5.8L	Vin H, Cleveland Engine	6IR4Y	3720	37204	0.035
1974	V8 5.8L	Vin H, Windsor Engine	16IR5Y	3744	37444	0.035
1974	V8 5.8L	Vin Q, H.O.	6IR4Y	3720	37204	0.035
1974	V8 6.6L		6IR4Y	3720	37204	0.035
1974	V8 7.5L	California	6IR4Y	3720	37204	0.035
1974	V8 7.5L	Non-California	6IR4Y	3720	37204	0.035
1973	V8 5.8L		6IR4Y	3720	37204	0.035
1973	V8 6.6L		6IR4Y	3720	37204	0.035
1973	V8 7.5L		6IR4Y	3720	37204	0.035
1972	V8 5.8L		6IR4Y	3720	37204	0.035
1971	V8 5.8L		6IR4Y	3720	37204	0.035
1971	V8 7.0L		6IR4Y	3720	37204	0.035
1970	V8 5.0L		6IR4Y	3720	37204	0.035
1970	V8 5.8L	Vin H, Cleveland Engine	6IR4Y	3720	37204	0.035
1970	V8 5.8L	Vin H, Windsor Engine	16IR5Y	3744	37444	0.035
1970	V8 5.8L	Vin M	6IR4Y	3720	37204	0.035
1970	V8 7.0L	Vin Q	16IR5Y	3744	37444	0.035
1970	V8 7.0L	Vin R, H.O.	16IR5Y	3744	37444	0.035
1970	V8 7.0L	Vin Z, 14mm Heads	6IR4Y	3720	37204	0.035
1970	V8 7.0L	Vin Z, 18mm Heads	16IR5Y	3744	37444	0.035
1969	V8 5.0L		6IR4Y	3720	37204	0.035

\* Short Style 6 Series - PN 3741 (single), PN 37414 (4pk) - Pre-gapped 0.035  
 \* Short Style 7 Series - PN 3742 (single), PN 37424 (4pk) - Pre-gapped 0.035

CPB's = Coil Plug Boots  
 \*\* Pre-gapped for optimal performance.



Make Model Year	Engine Size	Notes:	Plug Type	MSD PN Single	MSD PN 4-Pack	Pre-Gap Setting**
1969	V8 5.8L		16IR5Y	3744	37444	0.035
1969	V8 6.4L		16IR5Y	3744	37444	0.035
1969	V8 7.0L	Vin Q	16IR5Y	3744	37444	0.035
1969	V8 7.0L	Vin R	16IR5Y	3744	37444	0.035
1968	V8 4.7L		16IR5Y	3744	37444	0.035
1968	V8 5.0L		16IR5Y	3744	37444	0.035
1968	V8 6.4L		16IR5Y	3744	37444	0.035
1968	V8 7.0L		16IR5Y	3744	37444	0.035
1967	V8 4.7L		16IR5Y	3744	37444	0.035
1967	V8 6.4L		16IR5Y	3744	37444	0.035

**Country Cruiser**

1963	L6 3.3L		16IR5Y	3744	37444	0.035
1963	V8 3.6L		16IR5Y	3744	37444	0.035
1960	V8 5.1L		16IR5Y	3744	37444	0.035
1959	V8 5.1L		16IR5Y	3744	37444	0.035
1959	V8 6.3L		16IR5Y	3744	37444	0.035
1959	V8 7.0L		16IR5Y	3744	37444	0.035

**Custom**

1956	V8 5.1L		16IR5Y	3744	37444	0.035
1955	V8 4.8L		16IR5Y	3744	37444	0.035
1954	V8 4.2L		15IR4	3737	37374	0.035

**Cyclone**

1971	V8 5.0L		16IR5Y	3744	37444	0.035
1971	V8 5.8L	Vin H, Cleveland Engine	6IR4Y	3720	37204	0.035
1971	V8 5.8L	Vin H, Windsor Engine	16IR5Y	3744	37444	0.035
1971	V8 5.8L	Vin M	6IR4Y	3720	37204	0.035
1971	V8 7.0L		6IR5Y	3722	37224	0.035
1970	V8 5.0L		16IR5Y	3744	37444	0.035
1970	V8 5.8L	Cleveland Engine	6IR4Y	3720	37204	0.035
1970	V8 5.8L	Windsor Engine	16IR5Y	3744	37444	0.035
1970	V8 7.0L		6IR4Y	3720	37204	0.035
1969	V8 5.0L		16IR5Y	3744	37444	0.035
1969	V8 5.8L	Cleveland Engine	6IR4Y	3720	37204	0.035
1969	V8 5.8L	Windsor Engine	16IR5Y	3744	37444	0.035
1969	V8 6.4L		16IR5Y	3744	37444	0.035
1969	V8 7.0L		16IR5Y	3744	37444	0.035
1968	V8 5.0L		16IR5Y	3744	37444	0.035
1968	V8 6.4L		16IR5Y	3744	37444	0.035
1968	V8 7.0L		16IR5Y	3744	37444	0.035
1967-66	V8 4.7L		16IR5Y	3744	37444	0.035
1967-66	V8 6.4L		16IR5Y	3744	37444	0.035
1965	V8 4.7L		16IR5Y	3744	37444	0.035
1965	V8 7.0L		16IR5Y	3744	37444	0.035
1964	L6 3.3L		16IR5Y	3744	37444	0.035
1964	V8 4.3L		16IR5Y	3744	37444	0.035
1964	V8 4.7L		16IR5Y	3744	37444	0.035

**Grand Marquis**

2011	V8 4.6L		1IR5Y	3713	37134	0.043
2010	V8 4.6L	8 CPBs Req	1IR5Y	3713	37134	0.043
2009-08	V8 4.6L	8 CPBs Req	1IR5Y	3713	37134	0.043
2007	V8 4.6L	FLEX, 8 CPBs Req	1IR5Y	3713	37134	0.043
2007	V8 4.6L	GAS, 8 CPBs Req	1IR5Y	3713	37134	0.043
2006-99	V8 4.6L	8 CPBs Req	1IR5Y	3713	37134	0.043
1998	V8 4.6L	w/Dir Ign; 8 CPBs Req	1IR5Y	3713	37134	0.043
1997-95	V8 4.6L		1IR5Y	3713	37134	0.043
1994-92	V8 4.6L		1IR5Y	3713	37134	0.043
1991-90	V8 5.0L		2IR5L	3715	37154	0.043
1989-86	V8 5.0L		2IR5L	3715	37154	0.043
1989-86	V8 5.8L		6IR4Y	3720	37204	0.035
1985-83	V8 5.0L		6IR4Y	3720	37204	0.035
1985-83	V8 5.8L		6IR4Y	3720	37204	0.035
1982	V8 4.2L		6IR4Y	3720	37204	0.035
1982	V8 5.0L		6IR4Y	3720	37204	0.035
1981	V8 4.2L		6IR4Y	3720	37204	0.035
1981	V8 5.0L		6IR4Y	3720	37204	0.035
1981	V8 5.8L		6IR4Y	3720	37204	0.035
1980-79	V8 5.0L		6IR4Y	3720	37204	0.035
1980-79	V8 5.8L		6IR4Y	3720	37204	0.035
1978	V8 5.8L		6IR4Y	3720	37204	0.035
1978	V8 6.6L		6IR4Y	3720	37204	0.035

CPB's = Coil Plug Boots

\*\* Pre-gapped for optimal performance.

Make Model Year	Engine Size	Notes:	Plug Type	MSD PN Single	MSD PN 4-Pack	Pre-Gap Setting**
1978	V8 7.5L		6IR4Y	3720	37204	0.035
1977	V8 6.6L		6IR4Y	3720	37204	0.035
1977	V8 7.5L		6IR4Y	3720	37204	0.035
1976-75	V8 6.6L		6IR4Y	3720	37204	0.035
1976-75	V8 7.5L		6IR4Y	3720	37204	0.035

**LN7**

1983	L4 1.6L	CARB	1IR5Y	3713	37134	0.043
1983	L4 1.6L	FI	2IR5L	3715	37154	0.043
1982	L4 1.6L	Vin 2, From 9/81	1IR5Y	3713	37134	0.043
1982	L4 1.6L	Vin 2, To 9/81	7IR5Y	3725	37254	0.040
1982	L4 1.6L	Vin 4, H.O.	1IR5Y	3713	37134	0.043

**Lynx**

1987-86	L4 1.9L		2IR5L	3715	37154	0.043
1985	L4 1.6L		1IR5Y	3713	37134	0.043
1985	L4 1.9L		2IR5L	3715	37154	0.043
1984	L4 1.6L	CARB	1IR5Y	3713	37134	0.043
1984	L4 1.6L	FI	2IR5L	3715	37154	0.043
1983	L4 1.6L		2IR5L	3715	37154	0.043
1982	L4 1.6L	Vin 2	2IR5L	3715	37154	0.043
1982	L4 1.6L	Vin 4	1IR5Y	3713	37134	0.043
1981	L4 1.6L		7IR5Y	3725	37254	0.040

**Marauder**

2004	V8 4.6L	8 CPBs Req	1IR5Y	3713	37134	0.043
2003	V8 4.6L	8 CPBs Req	1IR5Y	3713	37134	0.043
1970-69	V8 6.4L		16IR5Y	3744	37444	0.035
1970-69	V8 7.0L	Vin K	16IR5Y	3744	37444	0.035
1970-69	V8 7.0L	Vin N	16IR5Y	3744	37444	0.035
1967-66	V8 6.4L		16IR5Y	3744	37444	0.035
1965	V8 6.4L		16IR5Y	3744	37444	0.035
1965	V8 7.0L		16IR5Y	3744	37444	0.035
1964-63	V8 6.4L		16IR5Y	3744	37444	0.035

**Mariner**

2011	L4 2.5L		5IR5Y	3719	37194	0.040
2010	L4 2.5L		5IR5Y	3719	37194	0.040
2010	V6 3.0L	From Prod. Date 8/3/09	1IR5Y	3713	37134	0.043
2010	V6 3.0L	To Prod. Date 8/3/09	1IR5Y	3713	37134	0.043
2009	L4 2.5L		5IR5Y	3719	37194	0.040
2009	V6 3.0L		1IR5Y	3713	37134	0.043
2008	L4 2.3L	Electric/Gas, 4 CPBs Req	1IR5Y	3713	37134	0.043
2008	L4 2.3L	GAS, 4 CPBs Req	1IR5Y	3713	37134	0.043
2008	V6 3.0L	6 CPBs Req	1IR5Y	3713	37134	0.043
2007	L4 2.3L	Electric/Gas, 4 CPBs Req	1IR5Y	3713	37134	0.043
2007	L4 2.3L	GAS, 4 CPBs Req	1IR5Y	3713	37134	0.043
2006	L4 2.3L	Electric/Gas, 4 CPBs Req	1IR5Y	3713	37134	0.043
2006	L4 2.3L	GAS, 4 CPBs Req	1IR5Y	3713	37134	0.043
2006	V6 3.0L	6 CPBs Req	1IR5Y	3713	37134	0.043
2005	L4 2.3L	4 CPBs Req	1IR5Y	3713	37134	0.043
2005	V6 3.0L	6 CPBs Req	1IR5Y	3713	37134	0.043

**Marquis**

1986	L4 2.3L		2IR5L	3715	37154	0.043
1986	V6 3.8L		2IR5L	3715	37154	0.043
1985	L4 2.3L		2IR5L	3715	37154	0.043
1985	V6 3.8L		2IR5L	3715	37154	0.043
1985	V8 5.0L		6IR4Y	3720	37204	0.035
1984	L4 2.3L	Vin 6	1IR5Y	3713	37134	0.043
1984	L4 2.3L	Vin A	2IR5L	3715	37154	0.043
1984	V6 3.8L		2IR5L	3715	37154	0.043
1983	L4 2.3L	GAS	2IR5L	3715	37154	0.043
1983	L4 2.3L	LPG	1IR5Y	3713	37134	0.043
1983	L6 3.3L		16IR5Y	3744	37444	0.035
1983	V6 3.8L		2IR5L	3715	37154	0.043
1982	V8 4.2L		6IR4Y	3720	37204	0.035
1982	V8 5.0L		6IR4Y	3720	37204	0.035
1981	V8 4.2L		6IR4Y	3720	37204	0.035
1981	V8 5.0L		6IR4Y	3720	37204	0.035
1981	V8 5.8L		6IR4Y	3720	37204	0.035
1980-79	V8 5.0L		6IR4Y	3720	37204	0.035
1980-79	V8 5.8L		6IR4Y	3720	37204	0.035
1978	V8 5.8L		6IR4Y	3720	37204	0.035
1978	V8 6.6L		6IR4Y	3720	37204	0.035

\* Short Style 6 Series - PN 3741 (single), PN 37414 (4pk) - Pre-gapped 0.035

\* Short Style 7 Series - PN 3742 (single), PN 37424 (4pk) - Pre-gapped 0.035





**Mercury Marquis continued**

Make Model Year	Engine Size	Notes:	Plug Type	MSD PN Single	MSD PN 4-Pack	Pre-Gap Setting**
1978	V8 7.5L		6IR4Y	3720	37204	0.035
1977	V8 6.6L		6IR4Y	3720	37204	0.035
1977	V8 7.5L		6IR4Y	3720	37204	0.035
1976-75	V8 6.6L		6IR4Y	3720	37204	0.035
1976-75	V8 7.5L		6IR4Y	3720	37204	0.035
1974	V8 6.6L		6IR4Y	3720	37204	0.035
1974	V8 7.5L	California	6IR4Y	3720	37204	0.035
1974	V8 7.5L	Non-California	6IR4Y	3720	37204	0.035
1973	V8 5.8L	Cleveland Engine	6IR4Y	3720	37204	0.035
1973	V8 5.8L	Windsor Engine	16IR5Y	3744	37444	0.035
1973	V8 6.6L		6IR4Y	3720	37204	0.035
1973	V8 7.0L		6IR4Y	3720	37204	0.035
1973	V8 7.5L		6IR4Y	3720	37204	0.035
1972	V8 5.8L	Cleveland Engine	6IR4Y	3720	37204	0.035
1972	V8 5.8L	Windsor Engine	16IR5Y	3744	37444	0.035
1972	V8 6.6L		6IR4Y	3720	37204	0.035
1972	V8 7.0L		16IR5Y	3744	37444	0.035
1972	V8 7.5L		16IR5Y	3744	37444	0.035
1971	V8 5.8L	Cleveland Engine	6IR4Y	3720	37204	0.035
1971	V8 5.8L	Windsor Engine	16IR5Y	3744	37444	0.035
1971	V8 6.6L		6IR4Y	3720	37204	0.035
1971	V8 7.0L		16IR5Y	3744	37444	0.035
1970	V8 6.4L		16IR5Y	3744	37444	0.035
1970	V8 7.0L	Vin K	16IR5Y	3744	37444	0.035
1970	V8 7.0L	Vin N	16IR5Y	3744	37444	0.035
1969-68	V8 6.4L		16IR5Y	3744	37444	0.035
1969-68	V8 7.0L		16IR5Y	3744	37444	0.035
1967	V8 6.7L		16IR5Y	3744	37444	0.035
1967	V8 7.0L		16IR5Y	3744	37444	0.035
<b>Medalist</b>						
1958	V8 5.1L		16IR5Y	3744	37444	0.035
1956	V8 5.1L		16IR5Y	3744	37444	0.035
<b>Mercury</b>						
1949	V8 3.7L		15IR4	3737	37374	0.035
1948-46	V8 3.9L		15IR4	3737	37374	0.035
<b>Meteor</b>						
1963	L6 2.8L		16IR5Y	3744	37444	0.035
1963	L6 3.3L		16IR5Y	3744	37444	0.035
1963	V8 3.6L		16IR5Y	3744	37444	0.035
1962	L6 2.8L		16IR5Y	3744	37444	0.035
1962	V8 3.6L		16IR5Y	3744	37444	0.035
1961	L6 2.8L		16IR5Y	3744	37444	0.035
1961	L6 3.7L		16IR5Y	3744	37444	0.035
1961	V8 4.8L		16IR5Y	3744	37444	0.035
1961	V8 5.8L		16IR5Y	3744	37444	0.035
1961	V8 6.4L		16IR5Y	3744	37444	0.035
<b>Milan</b>						
2011	L4 2.5L		5IR5Y	3719	37194	0.040
2010	L4 2.5L		5IR5Y	3719	37194	0.040
2010	V6 3.0L	From Prod. Date 8/3/09	1IR5Y	3713	37134	0.043
2010	V6 3.0L	To Prod. Date 8/3/09	1IR5Y	3713	37134	0.043
2009-07	L4 2.3L		5IR5Y	3719	37194	0.040
2009-07	V6 3.0L		1IR5Y	3713	37134	0.043
2006	L4 2.3L		5IR5Y	3719	37194	0.040
2006	V6 3.0L		1IR5Y	3713	37134	0.043
<b>Monarch</b>						
1980	L6 4.1L		16IR5Y	3744	37444	0.035
1980	V8 4.2L		6IR4Y	3720	37204	0.035
1980	V8 5.0L		6IR4Y	3720	37204	0.035
1979-78	L6 4.1L		16IR5Y	3744	37444	0.035
1979-78	V8 5.0L		6IR4Y	3720	37204	0.035
1977	L6 3.3L		16IR5Y	3744	37444	0.035
1977	L6 4.1L		16IR5Y	3744	37444	0.035
1977	V8 5.0L		6IR4Y	3720	37204	0.035
1977	V8 5.8L		6IR4Y	3720	37204	0.035
1976-75	L6 3.3L		16IR5Y	3744	37444	0.035
1976-75	L6 4.1L		16IR5Y	3744	37444	0.035
1976-75	V8 5.0L		6IR4Y	3720	37204	0.035
1976-75	V8 5.8L		6IR4Y	3720	37204	0.035

Make Model Year	Engine Size	Notes:	Plug Type	MSD PN Single	MSD PN 4-Pack	Pre-Gap Setting**
<b>Montclair</b>						
1968	V8 6.4L		16IR5Y	3744	37444	0.035
1968	V8 7.0L		16IR5Y	3744	37444	0.035
1967-66	V8 6.4L		16IR5Y	3744	37444	0.035
1967-66	V8 6.7L		16IR5Y	3744	37444	0.035
1967-66	V8 7.0L		16IR5Y	3744	37444	0.035
1965	V8 6.4L		16IR5Y	3744	37444	0.035
1965	V8 7.0L		16IR5Y	3744	37444	0.035
1964	V8 6.4L		16IR5Y	3744	37444	0.035
1960	V8 5.1L		16IR5Y	3744	37444	0.035
1959-58	V8 5.1L		16IR5Y	3744	37444	0.035
1959-58	V8 6.3L		16IR5Y	3744	37444	0.035
1959-58	V8 7.0L		16IR5Y	3744	37444	0.035
1957	V8 5.1L		16IR5Y	3744	37444	0.035
1957	V8 6.0L		16IR5Y	3744	37444	0.035
1956	V8 5.1L		16IR5Y	3744	37444	0.035
1955	V8 4.8L		16IR5Y	3744	37444	0.035
<b>Montego</b>						
2007	V6 3.0L	6 CPBs Req	1IR5Y	3713	37134	0.043
2006-05	V6 3.0L	6 CPBs Req	1IR5Y	3713	37134	0.043
1976-75	V8 5.8L		6IR4Y	3720	37204	0.035
1976-75	V8 6.6L		6IR4Y	3720	37204	0.035
1976-75	V8 7.5L		6IR4Y	3720	37204	0.035
1974	L6 4.1L		16IR5Y	3744	37444	0.035
1974	V8 5.0L		16IR5Y	3744	37444	0.035
1974	V8 5.8L	Vin H, Cleveland Engine	6IR4Y	3720	37204	0.035
1974	V8 5.8L	Vin H, Windsor Engine	16IR5Y	3744	37444	0.035
1974	V8 5.8L	Vin Q, H.O.	6IR4Y	3720	37204	0.035
1974	V8 6.6L		6IR4Y	3720	37204	0.035
1974	V8 7.5L	Vin A, California	6IR4Y	3720	37204	0.035
1974	V8 7.5L	Vin A, Non-California	6IR4Y	3720	37204	0.035
1973	L6 4.1L		16IR5Y	3744	37444	0.035
1973	V8 5.0L		16IR5Y	3744	37444	0.035
1973	V8 5.8L	Vin H, Cleveland Engine	6IR4Y	3720	37204	0.035
1973	V8 5.8L	Vin H, Windsor Engine	16IR5Y	3744	37444	0.035
1973	V8 5.8L	Vin Q, H.O.	6IR4Y	3720	37204	0.035
1973	V8 6.6L		6IR4Y	3720	37204	0.035
1973	V8 7.0L		6IR4Y	3720	37204	0.035
1973	V8 7.5L		6IR4Y	3720	37204	0.035
1972	L6 4.1L		16IR5Y	3744	37444	0.035
1972	V8 5.0L		16IR5Y	3744	37444	0.035
1972	V8 5.8L	Vin H, Cleveland Engine	6IR4Y	3720	37204	0.035
1972	V8 5.5L	Vin H, Windsor Engine	16IR5Y	3744	37444	0.035
1972	V8 5.5L	Vin Q, H.O.	6IR4Y	3720	37204	0.035
1972	V8 6.6L		6IR4Y	3720	37204	0.035
1972	V8 7.0L		16IR5Y	3744	37444	0.035
1971	L6 4.1L		16IR5Y	3744	37444	0.035
1971	V8 5.0L		16IR5Y	3744	37444	0.035
1971	V8 5.8L	Vin H, Cleveland Engine	6IR4Y	3720	37204	0.035
1971	V8 5.8L	Vin H, Windsor Engine	16IR5Y	3744	37444	0.035
1971	V8 5.5L	Vin M	6IR4Y	3720	37204	0.035
1971	V8 7.0L		6IR4Y	3720	37204	0.035
1970	L6 4.1L		16IR5Y	3744	37444	0.035
1970	V8 5.0L		16IR5Y	3744	37444	0.035
1970	V8 5.8L	Vin H, Cleveland Engine	6IR4Y	3720	37204	0.035
1970	V8 5.8L	Vin H, Windsor Engine	16IR5Y	3744	37444	0.035
1970	V8 5.8L	Vin M	6IR4Y	3720	37204	0.035
1970	V8 7.0L	Vin N	16IR5Y	3744	37444	0.035
1969	L6 4.1L		16IR5Y	3744	37444	0.035
1969	V8 5.0L		16IR5Y	3744	37444	0.035
1969	V8 5.8L		16IR5Y	3744	37444	0.035
1969	V8 6.4L		16IR5Y	3744	37444	0.035
1969	V8 7.0L		16IR5Y	3744	37444	0.035
1968	L6 3.3L		16IR5Y	3744	37444	0.035
1968	V8 5.0L		16IR5Y	3744	37444	0.035
1968	V8 6.4L		16IR5Y	3744	37444	0.035
1968	V8 7.0L		16IR5Y	3744	37444	0.035





Make Model Year	Engine Size	Notes:	Plug Type	MSD PN Single	MSD PN 4-Pack	Pre-Gap Setting**
<b>Monterey</b>						
2007	V6 4.2L		2IR5L	3715	37154	0.043
2006	V6 4.2L		2IR5L	3715	37154	0.043
2005-04	V6 4.2L		2IR5L	3715	37154	0.043
1974	V8 6.6L		6IR4Y	3720	37204	0.035
1974	V8 7.5L	California	6IR4Y	3720	37204	0.035
1974	V8 7.5L	Non-California	6IR4Y	3720	37204	0.035
1973-72	V8 5.8L	Cleveland Engine	6IR4Y	3720	37204	0.035
1973-72	V8 5.8L	Windsor Engine	16IR5Y	3744	37444	0.035
1973-72	V8 6.6L		6IR4Y	3720	37204	0.035
1973-72	V8 7.0L		16IR5Y	3744	37444	0.035
1973-72	V8 7.5L		6IR4Y	3720	37204	0.035
1971	V8 5.8L	Cleveland Engine	6IR4Y	3720	37204	0.035
1971	V8 5.8L	Windsor Engine	16IR5Y	3744	37444	0.035
1971	V8 6.6L		6IR4Y	3720	37204	0.035
1971	V8 7.0L		16IR5Y	3744	37444	0.035
1970-68	V8 6.4L		16IR5Y	3744	37444	0.035
1970-68	V8 7.0L		16IR5Y	3744	37444	0.035
1967-66	V8 6.4L		16IR5Y	3744	37444	0.035
1967-66	V8 6.7L		16IR5Y	3744	37444	0.035
1967-66	V8 7.0L		16IR5Y	3744	37444	0.035
1965	V8 6.4L		16IR5Y	3744	37444	0.035
1965	V8 7.0L		16IR5Y	3744	37444	0.035
1964-63	V8 6.4L		16IR5Y	3744	37444	0.035
1962	L6 3.6L		16IR5Y	3744	37444	0.035
1962	V8 4.8L		16IR5Y	3744	37444	0.035
1962	V8 5.8L		16IR5Y	3744	37444	0.035
1962	V8 6.4L		16IR5Y	3744	37444	0.035
1961	L6 3.6L		16IR5Y	3744	37444	0.035
1961	V8 4.8L		16IR5Y	3744	37444	0.035
1961	V8 5.8L		16IR5Y	3744	37444	0.035
1960	V8 5.1L		16IR5Y	3744	37444	0.035
1959	V8 5.1L		16IR5Y	3744	37444	0.035
1959	V8 6.3L		16IR5Y	3744	37444	0.035
1959	V8 7.0L		16IR5Y	3744	37444	0.035
1958	V8 5.1L		16IR5Y	3744	37444	0.035
1958	V6 6.3L		16IR5Y	3744	37444	0.035
1957	V8 5.1L		16IR5Y	3744	37444	0.035
1957	V8 6.0L		16IR5Y	3744	37444	0.035
1956	V8 5.1L		16IR5Y	3744	37444	0.035
1955	V8 4.8L		16IR5Y	3744	37444	0.035
1954	V8 4.2L		15IR4	3737	37374	0.035
<b>Mountaineer</b>						
2010	V6 4.0L		2IR5L	3715	37154	0.043
2010	V8 4.6L		4IR7Y	3717	37174	0.035
2009	V6 4.0L		2IR5L	3715	37154	0.043
2009	V8 4.6L		4IR7Y	3717	37174	0.035
2008	V6 4.0L		2IR5L	3715	37154	0.043
2008	V8 4.6L	w/Brwn Coil Boots; 8 CPBs Req	4IR7Y	3717	37174	0.035
2008	V8 4.6L	w/Black Coil Boots; Vin 8	3IR6	3716	37164	0.035
2007	V6 4.0L		2IR5L	3715	37154	0.043
2007	V8 4.6L	w/Black Coil Boots; Vin 8	3IR6	3716	37164	0.035
2006	V6 4.0L		1IR5Y	3713	37134	0.043
2006	V8 4.6L	w/Black Coil Boots; Vin 8	3IR6	3716	37164	0.035
2005	V6 4.0L		1IR5Y	3713	37134	0.043
2005	V8 4.6L	8 CPBs Req	1IR5Y	3713	37134	0.043
2004-02	V6 4.0L		1IR5Y	3713	37134	0.043
2004-02	V8 4.6L	8 CPBs Req	1IR5Y	3713	37134	0.043
2001	V6 4.0L	SOHC, LHD	1IR5Y	3713	37134	0.043
2001	V6 4.0L	SOHC, RHD	1IR5Y	3713	37134	0.043
2001	V8 5.0L		1IR5Y	3713	37134	0.043
2000-98	V6 4.0L	SOHC, RHD	1IR5Y	3713	37134	0.043
2000-98	V8 5.0L		1IR5Y	3713	37134	0.043
1997	V8 5.0L		1IR5Y	3713	37134	0.043
<b>Mystique</b>						
2000	L4 2.0L		5IR5Y	3719	37194	0.040
2000	V6 2.5L		1IR5Y	3713	37134	0.043
1999	L4 2.0L	From 5/3/99	5IR5Y	3719	37194	0.040
1999	V6 2.5L		1IR5Y	3713	37134	0.043

Make Model Year	Engine Size	Notes:	Plug Type	MSD PN Single	MSD PN 4-Pack	Pre-Gap Setting**
1998-97	L4 2.0L		5IR5Y	3719	37194	0.040
1998-97	V6 2.5L		1IR5Y	3713	37134	0.043
1996-95	L4 2.0L		5IR5Y	3719	37194	0.040
1996-95	V6 2.5L		1IR5Y	3713	37134	0.043
<b>Park Lane</b>						
1968	V8 6.4L		16IR5Y	3744	37444	0.035
1968	V8 7.0L		16IR5Y	3744	37444	0.035
1967	V8 6.7L		16IR5Y	3744	37444	0.035
1967	V8 7.0L		16IR5Y	3744	37444	0.035
1966	V8 6.4L		16IR5Y	3744	37444	0.035
1966	V8 6.7L		16IR5Y	3744	37444	0.035
1966	V8 7.0L		16IR5Y	3744	37444	0.035
1965	V8 6.4L		16IR5Y	3744	37444	0.035
1965	V8 7.0L		16IR5Y	3744	37444	0.035
1964	V8 6.4L		16IR5Y	3744	37444	0.035
1959	V8 5.1L		16IR5Y	3744	37444	0.035
1959	V8 6.3L		16IR5Y	3744	37444	0.035
1959	V8 7.0L		16IR5Y	3744	37444	0.035
1958	V8 7.0L		16IR5Y	3744	37444	0.035
<b>S-55</b>						
1966	V8 6.4L		16IR5Y	3744	37444	0.035
1966	V8 6.7L		16IR5Y	3744	37444	0.035
1966	V8 7.0L		16IR5Y	3744	37444	0.035
<b>Sable</b>						
2009-08	V6 3.5L		5IR5Y	3719	37194	0.040
2005	V6 3.0L	Vin 2, DOHC, w/Dir Ign; 6 CPBs Req	1IR6Y	3714	37144	0.043
2005	V6 3.0L	Vin S, DOHC, w/Dir Ign; 6 CPBs Req	1IR5Y	3713	37134	0.043
2005	V6 3.0L	Vin U, DOHC, w/Dir Ign; 6 CPBs Req	1IR5Y	3713	37134	0.043
2004	V6 3.0L	Vin 2, DOHC, w/Dir Ign; 6 CPBs Req	1IR6Y	3714	37144	0.043
2004	V6 3.0L	Vin S, DOHC, w/Dir Ign; 6 CPBs Req	1IR5Y	3713	37134	0.043
2004	V6 3.0L	Vin U, DOHC, w/Dir Ign; 6 CPBs Req	1IR5Y	3713	37134	0.043
2003	V6 3.0L	Vin 2, DOHC, w/Dir Ign; 6 CPBs Req	1IR6Y	3714	37144	0.043
2003	V6 3.0L	Vin S, DOHC, w/Dir Ign; 6 CPBs Req	1IR5Y	3713	37134	0.043
2003	V6 3.0L	Vin U, DOHC, w/Dir Ign; 6 CPBs Req	1IR5Y	3713	37134	0.043
2002	V6 3.0L	Vin S, DOHC, w/Dir Ign; 6 CPBs Req	1IR5Y	3713	37134	0.043
2002	V6 3.0L	Vin U, DOHC, w/Dir Ign; 6 CPBs Req	1IR5Y	3713	37134	0.043
2001	V6 3.0L	Vin 2, DOHC, w/Dir Ign; 6 CPBs Req	1IR6Y	3714	37144	0.043
2001	V6 3.0L	Vin S, DOHC, w/Dir Ign; 6 CPBs Req	1IR5Y	3713	37134	0.043
2001	V6 3.0L	Vin U, DOHC, w/Dir Ign; 6 CPBs Req	1IR5Y	3713	37134	0.043
2000	V6 3.0L	Vin S, DOHC, w/Dir Ign; 6 CPBs Req	1IR5Y	3713	37134	0.043
2000	V6 3.0L	Vin U, DOHC, w/Dir Ign; 6 CPBs Req	1IR5Y	3713	37134	0.043
1999	V6 3.0L	Vin S	1IR5Y	3713	37134	0.043
1999	V6 3.0L	Vin U	1IR5Y	3713	37134	0.043
1998	V6 3.0L	Vin S	1IR5Y	3713	37134	0.043
1998	V6 3.0L	Vin U	1IR5Y	3713	37134	0.043
1997	V6 3.0L	Vin S	1IR5Y	3713	37134	0.043
1997	V6 3.0L	Vin U	1IR5Y	3713	37134	0.043
1996	V6 3.0L	Vin S	1IR5Y	3713	37134	0.043
1996	V6 3.0L	Vin U	1IR5Y	3713	37134	0.043
1995	V6 3.0L		1IR5Y	3713	37134	0.043
1995	V6 3.8L		2IR5L	3715	37154	0.043
1994	V6 3.0L		1IR5Y	3713	37134	0.043
1994	V6 3.8L		2IR5L	3715	37154	0.043
1993	V6 3.0L		1IR5Y	3713	37134	0.043
1993	V6 3.8L		2IR5L	3715	37154	0.043
1992-90	V6 3.0L		1IR5Y	3713	37134	0.043
1992-90	V6 3.8L		2IR5L	3715	37154	0.043
1989-88	V6 3.0L		1IR5Y	3713	37134	0.043
1989-88	V6 3.8L		2IR5L	3715	37154	0.043
1987	V6 3.0L		1IR5Y	3713	37134	0.043
1986	L4 2.5L		1IR5Y	3713	37134	0.043
1986	V6 3.0L		1IR5Y	3713	37134	0.043
<b>Topaz</b>						
1994-92	L4 2.3L		1IR5Y	3713	37134	0.043
1994-92	V6 3.0L		1IR5Y	3713	37134	0.043
1991-89	L4 2.3L		1IR5Y	3713	37134	0.043
1988-87	L4 2.3L		1IR5Y	3713	37134	0.043
1986-84	L4 2.0L		N/A	N/A	N/A	
1986-84	L4 2.3L		1IR5Y	3713	37134	0.043

CPB's = Coil Plug Boots  
 \*\* Pre-gapped for optimal performance.

\* Short Style 6 Series - PN 3741 (single), PN 37414 (4pk) - Pre-gapped 0.035  
 \* Short Style 7 Series - PN 3742 (single), PN 37424 (4pk) - Pre-gapped 0.035



# Mercury Tracer

Make Model Year	Engine Size	Notes:	Plug Type	MSD PN Single	MSD PN 4-Pack	Pre-Gap Setting**
<b>Tracer</b>						
1999-97	L4 2.0L		2IR5L	3715	37154	0.043
1996-95	L4 1.8L		7IR6Y *	3727	37274	0.043
1996-95	L4 1.9L		2IR5L	3715	37154	0.043
1994-91	L4 1.8L		7IR6Y *	3727	37274	0.043
1994-91	L4 1.9L		2IR5L	3715	37154	0.043
1989-88	L4 1.6L		11IR4Y	3731	37314	0.035
1987	L4 1.6L		11IR4Y	3731	37314	0.035
<b>Turnpike Cruiser</b>						
1957	V8 6.0L		16IR5Y	3744	37444	0.035
<b>Villager</b>						
2002-99	V6 3.3L		7IR5Y	3725	37254	0.040
1998-93	V6 3.0L		7IR5Y	3725	37254	0.040
1967-66	L6 3.3L		16IR5Y	3744	37444	0.035
1967-66	V8 4.7L		16IR5Y	3744	37444	0.035
1967-66	V8 6.4L		16IR5Y	3744	37444	0.035
1965	L6 3.3L		16IR5Y	3744	37444	0.035
1965	V8 4.7L		16IR5Y	3744	37444	0.035
1965	V8 7.0L		16IR5Y	3744	37444	0.035
1964	L6 3.3L		16IR5Y	3744	37444	0.035
1964	V8 4.3L		16IR5Y	3744	37444	0.035
1964	V8 4.7L		16IR5Y	3744	37444	0.035
1963	L6 2.4L		16IR5Y	3744	37444	0.035
1963	V8 4.3L		16IR5Y	3744	37444	0.035
1962	L6 2.4L		16IR5Y	3744	37444	0.035
<b>Voyager</b>						
1967-66	L6 3.3L		16IR5Y	3744	37444	0.035
1967-66	V8 4.7L		16IR5Y	3744	37444	0.035
1967-66	V8 6.4L		16IR5Y	3744	37444	0.035
1959	V8 5.1L		16IR5Y	3744	37444	0.035
1959	V8 6.3L		16IR5Y	3744	37444	0.035
1959	V8 7.0L		16IR5Y	3744	37444	0.035
1958	V8 6.3L		16IR5Y	3744	37444	0.035
1958	V8 7.0L		16IR5Y	3744	37444	0.035
1957	V8 5.1L		16IR5Y	3744	37444	0.035
1957	V8 6.0L		16IR5Y	3744	37444	0.035
<b>Zephyr</b>						
1983	L4 2.3L		2IR5L	3715	37154	0.043
1983	L6 3.3L		16IR5Y	3744	37444	0.035
1982-80	L4 2.3L		1IR5Y	3713	37134	0.043
1982-80	L6 3.3L		16IR5Y	3744	37444	0.035
1982-80	V8 4.2L		6IR4Y	3720	37204	0.035
1979-78	L4 2.3L		1IR5Y	3713	37134	0.043
1979-78	L6 3.3L		16IR5Y	3744	37444	0.035
1979-78	V8 5.0L		6IR4Y	3720	37204	0.035
<b>Merkur</b>						
<b>Scorpio</b>						
1989-88	V6 2.9L		1IR5Y	3713	37134	0.043
<b>XR4Ti</b>						
1989-85	L4 2.3L		1IR5Y	3713	37134	0.043
<b>MG</b>						
<b>MGA</b>						
1962-60	L4 1.6L		11IR6	3734	37344	0.032
1959	L4 1.5L		N/A	N/A	N/A	
1958-56	L4 1.5L		11IR6	3734	37344	0.032
<b>MGB</b>						
1981	L4 1.8L		N/A	N/A	N/A	
1980-76	L4 1.8L		N/A	N/A	N/A	
1975-69	L4 1.8L		N/A	N/A	N/A	
1968-62	L4 1.8L		N/A	N/A	N/A	
<b>MGC</b>						
1969-68	L6 2.9L		N/A	N/A	N/A	

Make Model Year	Engine Size	Notes:	Plug Type	MSD PN Single	MSD PN 4-Pack	Pre-Gap Setting**
<b>Midget</b>						
1979-75	L4 1.5L		11IR5Y	3733	37334	0.035
1974-67	L4 1.3L		N/A	N/A	N/A	
1966-63	L4 1.1L		11IR5Y	3733	37334	0.035
1962	L4 1.0L		11IR5Y	3733	37334	0.035
<b>ZB</b>						
1958-57	L4 1.5L		11IR6	3734	37344	0.032
<b>Mini</b>						
<b>Cooper</b>						
2011	L4 1.6L	Eng N14B16C	N/A	N/A	N/A	
2010-09	L4 1.6L	Turbo	N/A	N/A	N/A	
2008-07	L4 1.6L	Eng N14B16A	N/A	N/A	N/A	
2008-07	L4 1.6L	Eng W10B16A	7IR6Y *	3727	37274	0.043
2008-07	L4 1.6L	Eng W11B16A	7IR6Y *	3727	37274	0.043
2006-02	L4 1.6L		7IR6Y *	3727	37274	0.043
<b>Mitsubishi</b>						
<b>3000GT</b>						
1999	V6 3.0L	DOHC, Eng 6G72	7IR6Y *	3727	37274	0.043
1999	V6 3.0L	Eng 6G72, DOHC, SOHC	7IR6Y *	3727	37274	0.043
1999	V6 3.0L	Eng 6G72, SOHC, DOHC	11IR5Y	3733	37334	0.035
1999	V6 3.0L	Eng 6G72T, DOHC	7IR6Y *	3727	37274	0.043
1999	V6 3.0L	Eng 6G72T, SOHC	7IR6Y *	3727	37274	0.043
1999	V6 3.0L	SOHC, Eng 6G72	11IR5Y	3733	37334	0.035
1998-97	V6 3.0L	DOHC, Eng 6G72	7IR6Y *	3727	37274	0.043
1998-97	V6 3.0L	Eng 6G72, DOHC, SOHC	7IR6Y *	3727	37274	0.043
1998-97	V6 3.0L	Eng 6G72, SOHC, DOHC	11IR5Y	3733	37334	0.035
1998-97	V6 3.0L	Eng 6G72-T, DOHC	7IR6Y *	3727	37274	0.043
1998-97	V6 3.0L	Eng 6G72-T, SOHC	7IR6Y *	3727	37274	0.043
1998-97	V6 3.0L	SOHC, Eng 6G72	11IR5Y	3733	37334	0.035
1996-91	V6 3.0L		7IR6Y *	3727	37274	0.043
<b>Cordia</b>						
1988-84	L4 1.8L		N/A	N/A	N/A	
1988-84	L4 2.0L		N/A	N/A	N/A	
1983	L4 1.8L		N/A	N/A	N/A	
<b>Diamante</b>						
2004-03	V6 3.5L		7IR6Y *	3727	37274	0.043
2002-97	V6 3.5L		7IR5Y	3725	37254	0.040
1996	V6 3.0L	ES, SOHC	N/A	N/A	N/A	
1995	V6 3.0L	Vin H, ES, SOHC, Exc. Wagon; Calif.	N/A	N/A	N/A	
1995	V6 3.0L	Vin H, ES, SOHC, Exc. Wgn; Fed Emis	N/A	N/A	N/A	
1995	V6 3.0L	Vin H, ES, SOHC, Wagon	N/A	N/A	N/A	
1995	V6 3.0L	Vin H, LS, DOHC	N/A	N/A	N/A	
1995	V6 3.0L	Vin J, ES, SOHC, Exc. Wagon; Calif.	7IR6Y *	3727	37274	0.043
1995	V6 3.0L	Vin J, ES, SOHC, Exc. Wgn; Fed Emis	7IR6Y *	3727	37274	0.043
1995	V6 3.0L	Vin J, ES, SOHC, Wagon	7IR6Y *	3727	37274	0.043
1995	V6 3.0L	Vin J, LS, DOHC	7IR6Y *	3727	37274	0.043
1994-93	V6 3.0L	Vin H, ES, SOHC, Exc. Wagon; Calif.	N/A	N/A	N/A	
1994-93	V6 3.0L	Vin H, ES, SOHC, Exc. Wgn; Fed Emis	N/A	N/A	N/A	
1994-93	V6 3.0L	Vin H, ES, SOHC, Wagon	N/A	N/A	N/A	
1994-93	V6 3.0L	Vin H, LS, DOHC	N/A	N/A	N/A	
1994-93	V6 3.0L	Vin J, ES, SOHC, Exc. Wagon; Calif.	7IR6Y *	3727	37274	0.043
1994-93	V6 3.0L	Vin J, ES, SOHC, Exc. Wgn; Fed Emis	7IR6Y *	3727	37274	0.043
1994-93	V6 3.0L	Vin J, ES, SOHC, Wagon	7IR6Y *	3727	37274	0.043
1994-93	V6 3.0L	Vin J, LS, DOHC	7IR6Y *	3727	37274	0.043
1994-93	V6 3.0L	Vin S, ES, SOHC, Exc. Wagon; Calif.	N/A	N/A	N/A	
1994-93	V6 3.0L	Vin S, ES, SOHC, Exc. Wgn; Fed Emis	N/A	N/A	N/A	
1994-93	V6 3.0L	Vin S, ES, SOHC, Wagon	N/A	N/A	N/A	
1994-93	V6 3.0L	Vin S, LS, DOHC	N/A	N/A	N/A	
1992	V6 3.0L	Vin B, ES, SOHC	7IR6Y *	3727	37274	0.043
1992	V6 3.0L	Vin B, LS, DOHC	7IR6Y *	3727	37274	0.043
1992	V6 3.0L	Vin S, ES, SOHC	N/A	N/A	N/A	
1992	V6 3.0L	Vin S, LS, DOHC	N/A	N/A	N/A	

**126** \* Short Style 6 Series - PN 3741 (single), PN 37414 (4pk) - Pre-gapped 0.035  
 \* Short Style 7 Series - PN 3742 (single), PN 37424 (4pk) - Pre-gapped 0.035  
 CPB's = Coil Plug Boots  
 \*\* Pre-gapped for optimal performance.



Make Model Year	Engine Size	Notes:	Plug Type	MSD PN Single	MSD PN 4-Pack	Pre-Gap Setting**
<b>Eclipse</b>						
2012-06	L4 2.4L		N/A	N/A	N/A	
2012-06	V6 3.8L		71R6Y *	3727	37274	0.043
2005-04	L4 2.4L		71R5Y	3725	37254	0.040
2005-04	L4 2.4L	2 CPBs Req	71R5Y	3725	37254	0.040
2005-04	V6 3.0L	GT	71R5Y	3725	37254	0.040
2005-04	V6 3.0L	GTS	71R6Y *	3727	37274	0.043
2005-04	V6 3.0L	Spyder GT	71R5Y	3725	37254	0.040
2005-04	V6 3.0L	Spyder GTS	71R6Y *	3727	37274	0.043
2003	L4 2.4L		71R5Y	3725	37254	0.040
2003	L4 2.4L	2 CPBs Req	71R5Y	3725	37254	0.040
2003	V6 3.0L	GT	71R5Y	3725	37254	0.040
2003	V6 3.0L	GTS	71R6Y *	3727	37274	0.043
2003	V6 3.0L	Spyder GT	71R5Y	3725	37254	0.040
2003	V6 3.0L	Spyder GTS	71R6Y *	3727	37274	0.043
2002-01	L4 2.4L		71R5Y	3725	37254	0.040
2002-01	L4 2.4L	2 CPBs Req	71R5Y	3725	37254	0.040
2002-01	V6 3.0L		71R5Y	3725	37254	0.040
2000	L4 2.4L		71R5Y	3725	37254	0.040
2000	L4 2.4L	2 CPBs Req	71R5Y	3725	37254	0.040
2000	V6 3.0L		71R6Y *	3727	37274	0.043
1999	L4 2.0L	Naturally Aspirated	71R6Y *	3727	37274	0.043
1999	L4 2.0L	Turbo	N/A	N/A	N/A	
1999	L4 2.4L		71R5Y	3725	37254	0.040
1998-96	L4 2.0L	Naturally Aspirated	71R6Y *	3727	37274	0.043
1998-96	L4 2.0L	Turbo	N/A	N/A	N/A	
1998-96	L4 2.4L		71R5Y	3725	37254	0.040
1995	L4 2.0L	Naturally Aspirated	71R6Y *	3727	37274	0.043
1995	L4 2.0L	Turbo	N/A	N/A	N/A	
1994-90	L4 1.8L		N/A	N/A	N/A	
1994-90	L4 2.0L	FWD, Naturally Aspirated	N/A	N/A	N/A	
1994-90	L4 2.0L	Turbo	N/A	N/A	N/A	
<b>Endeavor</b>						
2011-10	V6 3.8L		71R6Y *	3727	37274	0.043
2008-04	V6 3.8L		71R6Y *	3727	37274	0.043
<b>Expo</b>						
1995-93	L4 2.4L		71R5Y	3725	37254	0.040
1992	L4 2.4L		N/A	N/A	N/A	
<b>Expo LRV</b>						
1994-93	L4 1.8L		71R5Y	3725	37254	0.040
1994-93	L4 2.4L		71R5Y	3725	37254	0.040
1992	L4 1.8L		71R5Y	3725	37254	0.040
<b>Galant</b>						
2011-10	L4 2.4L		N/A	N/A	N/A	
2009	L4 2.4L		N/A	N/A	N/A	
2009	V6 3.8L	Vin S	71R6Y *	3727	37274	0.043
2009	V6 3.8L	Vin T	71R6Y *	3727	37274	0.043
2008	L4 2.4L		N/A	N/A	N/A	
2008	V6 3.8L		71R6Y *	3727	37274	0.043
2007	L4 2.4L		N/A	N/A	N/A	
2007	V6 3.8L	Vin S	71R6Y *	3727	37274	0.043
2007	V6 3.8L	Vin T	71R6Y *	3727	37274	0.043
2006-04	L4 2.4L		N/A	N/A	N/A	
2006-04	V6 3.8L		71R6Y *	3727	37274	0.043
2003-01	L4 2.4L		71R5Y	3725	37254	0.040
2003-01	L4 2.4L	2 CPBs Req	71R5Y	3725	37254	0.040
2003-01	V6 3.0L		71R5Y	3725	37254	0.040
2000-99	L4 2.4L		71R5Y	3725	37254	0.040
2000-99	L4 2.4L	2 CPBs Req	71R5Y	3725	37254	0.040
2000-99	V6 3.0L		71R6Y *	3727	37274	0.043
1998-95	L4 2.4L		71R5Y	3725	37254	0.040
1994	L4 2.4L	DOHC	N/A	N/A	N/A	
1994	L4 2.4L	DOHC, SOHC	N/A	N/A	N/A	
1994	L4 2.4L	SOHC	71R5Y	3725	37254	0.040
1994	L4 2.4L	SOHC, DOHC	71R5Y	3725	37254	0.040
1993	L4 2.0L	SOHC	71R5Y	3725	37254	0.040
1992	L4 2.0L	Vin R, DOHC	N/A	N/A	N/A	

CPB's = Coil Plug Boots  
 \*\* Pre-gapped for optimal performance.

Make Model Year	Engine Size	Notes:	Plug Type	MSD PN Single	MSD PN 4-Pack	Pre-Gap Setting**
1992	L4 2.0L	Vin R, SOHC	N/A	N/A	N/A	
1992	L4 2.0L	Vin U, DOHC	N/A	N/A	N/A	
1992	L4 2.0L	Vin U, SOHC	N/A	N/A	N/A	
1992	L4 2.0L	Vin V, DOHC	71R5Y	3725	37254	0.040
1992	L4 2.0L	Vin V, SOHC	71R5Y	3725	37254	0.040
1991	L4 2.0L	Naturally Aspirated, DOHC	N/A	N/A	N/A	
1991	L4 2.0L	Naturally Aspirated, SOHC	N/A	N/A	N/A	
1991	L4 2.0L	Turbo, DOHC	N/A	N/A	N/A	
1991	L4 2.0L	Turbo, SOHC	N/A	N/A	N/A	
1990-89	L4 2.0L	DOHC	N/A	N/A	N/A	
1990-89	L4 2.0L	SOHC	N/A	N/A	N/A	
1988	V6 3.0L		11R5Y	3733	37334	0.035
1987-85	L4 2.4L		11R5Y	3733	37334	0.035
<b>Lancer</b>						
2011	L4 2.0L	Ralliart, Turbo	N/A	N/A	N/A	
2011	L4 2.0L	Ralliart Sportback, Turbo	N/A	N/A	N/A	
2010	L4 2.0L	Naturally Aspirated	71R6Y *	3727	37274	0.043
2010	L4 2.0L	Turbo	N/A	N/A	N/A	
2010	L4 2.4L		71R5Y	3725	37254	0.040
2009	L4 2.0L	Vin U	71R6Y *	3727	37274	0.043
2009	L4 2.0L	Vin V, From 12/1/2008 Prod. Date	N/A	N/A	N/A	
2009	L4 2.0L	Vin V, To 11/3/2008 Prod Date	N/A	N/A	N/A	
2009	L4 2.4L		71R5Y	3725	37254	0.040
2008	L4 2.0L	Naturally Aspirated	71R6Y *	3727	37274	0.043
2008	L4 2.0L	Turbo	N/A	N/A	N/A	
2007	L4 2.0L		71R5Y	3725	37254	0.040
2007	L4 2.0L	2 CPBs Req	71R5Y	3725	37254	0.040
2006	L4 2.0L	Turbo	N/A	N/A	N/A	
2006	L4 2.0L	Naturally Aspirated,	71R5Y	3725	37254	0.040
2006	L4 2.0L	Naturally Aspirated, 2 CPBs Req	71R5Y	3725	37254	0.040
2006	L4 2.4L		N/A	N/A	N/A	
2005-04	L4 2.0L	Naturally Aspirated,	71R5Y	3725	37254	0.040
2005-04	L4 2.0L	Naturally Aspirated, 2 CPBs Req	71R5Y	3725	37254	0.040
2005-04	L4 2.0L	Turbo, 2 CPBs Req	N/A	N/A	N/A	
2005-04	L4 2.4L		N/A	N/A	N/A	
2003	L4 2.0L	Naturally Aspirated,	71R5Y	3725	37254	0.040
2003	L4 2.0L	Naturally Aspirated, 2 CPBs Req	71R5Y	3725	37254	0.040
2003	L4 2.0L	Turbo, 2 CPBs Req	N/A	N/A	N/A	
2002	L4 2.0L		71R5Y	3725	37254	0.040
2002	L4 2.0L	2 CPBs Req	71R5Y	3725	37254	0.040
<b>Mighty Max</b>						
1996-95	L4 2.4L		N/A	N/A	N/A	
1994-90	L4 2.4L		N/A	N/A	N/A	
1994-90	V6 3.0L		11R5Y	3733	37334	0.035
1989-86	L4 2.0L		N/A	N/A	N/A	
1989-86	L4 2.6L		N/A	N/A	N/A	
1985-83	L4 2.0L		N/A	N/A	N/A	
1985-83	L4 2.3L		N/A	N/A	N/A	
1985-83	L4 2.6L		11R5Y	3733	37334	0.035
<b>Mirage</b>						
2002	L4 1.5L		11R5Y	3733	37334	0.035
2002	L4 1.8L		71R5Y	3725	37254	0.040
2002	L4 1.8L	2 CPBs Req	71R5Y	3725	37254	0.040
1999-97	L4 1.5L		11R5Y	3733	37334	0.035
1999-97	L4 1.8L		71R5Y	3725	37254	0.040
1999-97	L4 1.8L	2 CPBs Req	71R5Y	3725	37254	0.040
1996-93	L4 1.5L		11R5Y	3733	37334	0.035
1996-93	L4 1.8L		71R5Y	3725	37254	0.040
1992-91	L4 1.5L		11R5Y	3733	37334	0.035
1992-91	L4 1.6L		N/A	N/A	N/A	
1990	L4 1.5L		N/A	N/A	N/A	
1989	L4 1.5L		N/A	N/A	N/A	
1989	L4 1.6L		N/A	N/A	N/A	
1988-85	L4 1.5L		N/A	N/A	N/A	
1988-85	L4 1.6L		N/A	N/A	N/A	

\* Short Style 6 Series - PN 3741 (single), PN 37414 (4pk) - Pre-gapped 0.035  
 \* Short Style 7 Series - PN 3742 (single), PN 37424 (4pk) - Pre-gapped 0.035



## Mitsubishi Montero

Make Model Year	Engine Size	Notes:	Plug Type	MSD PN Single	MSD PN 4-Pack	Pre-Gap Setting**
<b>Montero</b>						
2006-03	V6 3.8L		71R6Y *	3727	37274	0.043
2002-97	V6 3.5L		71R5Y	3725	37254	0.040
1996-95	V6 3.0L		71R6Y *	3727	37274	0.043
1996-95	V6 3.5L		71R5Y	3725	37254	0.040
1994	V6 3.0L		111R5Y	3733	37334	0.035
1994	V6 3.5L		71R5Y	3725	37254	0.040
1993-90	V6 3.0L		111R5Y	3733	37334	0.035
1989	L4 2.6L		N/A	N/A	N/A	
1989	V6 3.0L		111R5Y	3733	37334	0.035
1988-87	L4 2.6L		N/A	N/A	N/A	
1986	L4 2.6L		N/A	N/A	N/A	
1985-83	L4 2.6L		111R5Y	3733	37334	0.035
<b>Montero Sport</b>						
2004	V6 3.5L		71R5Y	3725	37254	0.040
2003	V6 3.0L		71R5Y	3725	37254	0.040
2003	V6 3.5L		71R5Y	3725	37254	0.040
1999	L4 2.4L		71R5Y	3725	37254	0.040
1999	V6 3.0L		71R5Y	3725	37254	0.040
1999	V6 3.5L		71R5Y	3725	37254	0.040
1998-97	L4 2.4L		71R5Y	3725	37254	0.040
1998-97	V6 3.0L		71R6Y *	3727	37274	0.043
<b>Outlander</b>						
2011-08	L4 2.4L		71R5Y	3725	37254	0.040
2011-08	V6 3.0L		N/A	N/A	N/A	
2007	V6 3.0L		N/A	N/A	N/A	
2006-04	L4 2.4L		N/A	N/A	N/A	
2003	L4 2.4L		71R5Y	3725	37254	0.040
2003	L4 2.4L	2 CPBs Req	71R5Y	3725	37254	0.040
<b>Precis</b>						
1994-92	L4 1.5L		N/A	N/A	N/A	
1991-87	L4 1.5L		N/A	N/A	N/A	
<b>Raider</b>						
2009-08	V6 3.7L		71R6L	3726	37264	0.032
2007-06	V6 3.7L		71R6L	3726	37264	0.032
2007-06	V8 4.7L		N/A	N/A	N/A	
<b>Sigma</b>						
1990-89	V6 3.0L		111R5Y	3733	37334	0.035
<b>Starion</b>						
1989	L4 2.6L		N/A	N/A	N/A	
1988-83	L4 2.6L		N/A	N/A	N/A	
<b>Tredia</b>						
1988-84	L4 1.8L		N/A	N/A	N/A	
1988-84	L4 2.0L		N/A	N/A	N/A	
1983	L4 1.8L		N/A	N/A	N/A	
<b>Van</b>						
1990-89	L4 2.4L		N/A	N/A	N/A	
1988-87	L4 2.4L		N/A	N/A	N/A	
<b>Morgan</b>						
<b>4/4</b>						
1994-92	L4 1.6L		71R6Y *	3727	37274	0.043
<b>Aero 8</b>						
2005-04	V8 4.4L		71R6Y *	3727	37274	0.043
<b>Pius 8</b>						
1996-76	V8 3.5L		N/A	N/A	N/A	
<b>Morris</b>						
<b>Minor</b>						
1971-70	L4 1.0L		N/A	N/A	N/A	
1971-70	L4 1.1L		111R6	3734	37344	0.032
1971-70	L4 1.3L		N/A	N/A	N/A	

Make Model Year	Engine Size	Notes:	Plug Type	MSD PN Single	MSD PN 4-Pack	Pre-Gap Setting**
<b>Nissan</b>						
<b>200SX</b>						
1998-95	L4 1.6L		71R6Y *	3727	37274	0.043
1998-95	L4 2.0L		71R6Y *	3727	37274	0.043
1988	L4 2.0L	Exhaust	71R5Y	3725	37254	0.040
1988	L4 2.0L	Intake	71R6Y *	3727	37274	0.043
1988	V6 3.0L		71R6Y *	3727	37274	0.043
1987	L4 1.8L	Exhaust	71R5Y	3725	37254	0.040
1987	L4 1.8L	Intake	71R6Y *	3727	37274	0.043
1987	L4 2.0L	Exhaust	71R5Y	3725	37254	0.040
1987	L4 2.0L	Intake	71R6Y *	3727	37274	0.043
1987	V6 3.0L		71R6Y *	3727	37274	0.043
1986-84	L4 1.8L	Exhaust	71R5Y	3725	37254	0.040
1986-84	L4 1.8L	Intake	71R6Y *	3727	37274	0.043
1986-84	L4 2.0L	Exhaust	71R5Y	3725	37254	0.040
1986-84	L4 2.0L	Intake	71R6Y *	3727	37274	0.043
1983-82	L4 2.2L	Exhaust	111R5Y	3733	37334	0.035
1983-82	L4 2.2L	Intake	N/A	N/A	N/A	
1981	L4 2.0L		N/A	N/A	N/A	
1980	L4 2.0L	Calif.	N/A	N/A	N/A	
1980	L4 2.0L	Exc. Calif.	N/A	N/A	N/A	
1979	L4 2.0L	Calif.; From 6/79	N/A	N/A	N/A	
1979	L4 2.0L	Calif.; To 6/79	N/A	N/A	N/A	
1979	L4 2.0L	Exc. Calif.	N/A	N/A	N/A	
1978-77	L4 2.0L		N/A	N/A	N/A	
<b>210</b>						
1982	L4 1.2L		111R5Y	3733	37334	0.035
1982	L4 1.4L		111R5Y	3733	37334	0.035
1982	L4 1.5L		111R5Y	3733	37334	0.035
1981-79	L4 1.2L		111R5Y	3733	37334	0.035
1981-79	L4 1.4L		111R5Y	3733	37334	0.035
1981-79	L4 1.5L		111R5Y	3733	37334	0.035
<b>240SX</b>						
1998-95	L4 2.4L		71R5Y	3725	37254	0.040
1994	L4 2.4L		71R5Y	3725	37254	0.040
1993-91	L4 2.4L		71R5Y	3725	37254	0.040
1990	L4 2.4L		N/A	N/A	N/A	
1989	L4 2.4L		N/A	N/A	N/A	
<b>240Z</b>						
1973-70	L6 2.4L		N/A	N/A	N/A	
<b>260Z</b>						
1975-74	L6 2.6L		N/A	N/A	N/A	
<b>280Z</b>						
1978-77	L6 2.8L		111R5Y	3733	37334	0.035
1976-75	L6 2.8L		111R6	3734	37344	0.032
<b>280ZX</b>						
1983-81	L6 2.8L		N/A	N/A	N/A	
1980	L6 2.8L	2+2 GL	111R5Y	3733	37334	0.035
1980	L6 2.8L	Base	N/A	N/A	N/A	
1979	L6 2.8L		111R5Y	3733	37334	0.035
<b>300ZX</b>						
1996-95	V6 3.0L	Naturally Aspirated, 6 CPBs Req	71R5Y	3725	37254	0.040
1996-95	V6 3.0L	Turbo, 6 CPBs Req	N/A	N/A	N/A	
1994	V6 3.0L	Nat Aspirated From 3/94; 6 CPBs Req	71R5Y	3725	37254	0.040
1994	V6 3.0L	Nat Aspirated, To 3/94; 6 CPBs Req	71R5Y	3725	37254	0.040
1994	V6 3.0L	Turbo From 3/94; 6 CPBs Req	N/A	N/A	N/A	
1994	V6 3.0L	Turbo To 3/94; 6 CPBs Req	N/A	N/A	N/A	
1993-90	V6 3.0L	Naturally Aspirated, 6 CPBs Req	71R5Y	3725	37254	0.040
1993-90	V6 3.0L	Turbo, 6 CPBs Req	N/A	N/A	N/A	
1989	V6 3.0L	Naturally Aspirated	71R6Y *	3727	37274	0.043
1989	V6 3.0L	Turbo	71R6Y *	3727	37274	0.043
1988-84	V6 3.0L	2+2, Turbo	71R5Y	3725	37254	0.040
1988-84	V6 3.0L	Naturally Aspirated	71R6Y *	3727	37274	0.043
1988-84	V6 3.0L	Turbo, Turbo	71R6Y *	3727	37274	0.043





Make Model Year	Engine Size	Notes:	Plug Type	MSD PN Single	MSD PN 4-Pack	Pre-Gap Setting**
<b>310</b>						
1982	L4 1.5L		11R5Y	3733	37334	0.035
1981	L4 1.5L		11R5Y	3733	37334	0.035
1980-79	L4 1.4L		11R5Y	3733	37334	0.035
<b>320</b>						
1965-61	L4 1.2L Truck		11R5	3732	37324	0.032
<b>350Z</b>						
2009-07	V6 3.5L		N/A	N/A	N/A	
2006-03	V6 3.5L	6 CPBs Req	9R5Y	3730	37304	0.040
<b>370Z</b>						
2010	V6 3.7L	40th Anniversary Edition	N/A	N/A	N/A	
2010	V6 3.7L	Base	N/A	N/A	N/A	
2010	V6 3.7L	Touring	N/A	N/A	N/A	
2009	V6 3.7L		N/A	N/A	N/A	
<b>411</b>						
1967	L4 1.3L		11R5	3732	37324	0.032
1967	L4 1.6L		11R6	3734	37344	0.032
1966	L4 1.3L Car		11R5	3732	37324	0.032
<b>510</b>						
1981	L4 2.0L		N/A	N/A	N/A	
1980	L4 2.0L Calif.		N/A	N/A	N/A	
1980	L4 2.0L Exc. Calif.		N/A	N/A	N/A	
1979-78	L4 2.0L		N/A	N/A	N/A	
1973-68	L4 1.6L		11R6	3734	37344	0.032
<b>520 Pickup</b>						
1968	L4 1.3L		11R5	3732	37324	0.032
1967-65	L4 1.3L		11R5	3732	37324	0.032
<b>521 Pickup</b>						
1972-70	L4 1.6L		11R6	3734	37344	0.032
1969	L4 1.3L		11R6	3734	37344	0.032
<b>610</b>						
1976-75	L4 2.0L California		N/A	N/A	N/A	
1976-75	L4 2.0L Non-California		N/A	N/A	N/A	
1974	L4 2.0L		N/A	N/A	N/A	
1973	L4 1.8L		11R6	3734	37344	0.032
<b>620</b>						
1979-75	L4 2.0L		N/A	N/A	N/A	
<b>620 Pickup</b>						
1974	L4 1.8L		11R6	3734	37344	0.032
1973-72	L4 1.6L		11R6	3734	37344	0.032
<b>710</b>						
1977	L4 2.0L		N/A	N/A	N/A	
1976-75	L4 2.0L California		N/A	N/A	N/A	
1976-75	L4 2.0L Non-California		N/A	N/A	N/A	
1974	L4 1.8L		N/A	N/A	N/A	
<b>720</b>						
1986-84	L4 2.0L Exhaust		11R5Y	3733	37334	0.035
1986-84	L4 2.0L Intake		N/A	N/A	N/A	
1986-84	L4 2.4L Exhaust		11R5Y	3733	37334	0.035
1986-84	L4 2.4L Intake		N/A	N/A	N/A	
1986-84	L4 2.5L		N/A	N/A	N/A	
1983	L4 2.0L Exhaust, GAS		11R5Y	3733	37334	0.035
1983	L4 2.0L Intake, GAS		N/A	N/A	N/A	
1983	L4 2.2L DIESEL		N/A	N/A	N/A	
1983	L4 2.2L GAS, Exhaust		11R5Y	3733	37334	0.035
1983	L4 2.2L GAS, Intake		N/A	N/A	N/A	
1983	L4 2.4L Exhaust		11R5Y	3733	37334	0.035
1983	L4 2.4L Intake		N/A	N/A	N/A	
1983	L4 2.5L		N/A	N/A	N/A	
1982-81	L4 2.2L DIESEL		N/A	N/A	N/A	
1982-81	L4 2.2L GAS, Exhaust		11R5Y	3733	37334	0.035
1982-81	L4 2.2L GAS, Intake		N/A	N/A	N/A	
1980	L4 2.0L		N/A	N/A	N/A	

CPB's = Coil Plug Boots  
 \*\* Pre-gapped for optimal performance.

Make Model Year	Engine Size	Notes:	Plug Type	MSD PN Single	MSD PN 4-Pack	Pre-Gap Setting**
<b>810</b>						
1981	L6 2.4L		N/A	N/A	N/A	
1981	L6 2.8L	Non QGS Type	N/A	N/A	N/A	
1981	L6 2.8L	QGS Type	N/A	N/A	N/A	
1980	L6 2.4L		N/A	N/A	N/A	
1979-77	L6 2.4L		11R5Y	3733	37334	0.035
<b>1200</b>						
1973-71	L4 1.2L		11R5Y	3733	37334	0.035
<b>1600</b>						
1970-66	L4 1.6L		11R6	3734	37344	0.032
<b>2000</b>						
1970-68	L4 2.0L		11R5Y	3733	37334	0.035
<b>Altima</b>						
2012-08	L4 2.5L		N/A	N/A	N/A	
2012-08	V6 3.5L		N/A	N/A	N/A	
2007	L4 2.5L		N/A	N/A	N/A	
2007	V6 3.5L		N/A	N/A	N/A	
2006-02	L4 2.5L	4 CPBs Req	9R5Y	3730	37304	0.040
2006-02	V6 3.5L	6 CPBs Req	9R5Y	3730	37304	0.040
2001	L4 2.4L		7R5Y	3725	37254	0.040
1999	L4 2.4L		7R5Y	3725	37254	0.040
1998-97	L4 2.4L		7R5Y	3725	37254	0.040
1996-93	L4 2.4L		7R5Y	3725	37254	0.040
<b>Armada</b>						
2012-09	V8 5.6L FLEX		9R5Y	3730	37304	0.040
2012-09	V8 5.6L GAS		9R5Y	3730	37304	0.040
2008-07	V8 5.6L		9R5Y	3730	37304	0.040
2006-05	V8 5.6L	8 CPBs Req	9R5Y	3730	37304	0.040
<b>Axxess</b>						
1995-90	L4 2.4L		7R5Y	3725	37254	0.040
<b>B210</b>						
1978-77	L4 1.4L		11R5Y	3733	37334	0.035
1976-75	L4 1.4L		11R5Y	3733	37334	0.035
1974	L4 1.3L		N/A	N/A	N/A	
<b>Cube</b>						
2012-09	L4 1.8L		N/A	N/A	N/A	
<b>D21</b>						
1994-90	L4 2.4L		N/A	N/A	N/A	
1994-90	V6 3.0L		7R6Y *	3727	37274	0.043
1989-86	L4 2.4L Exhaust		11R5Y	3733	37334	0.035
1989-86	L4 2.4L Intake		N/A	N/A	N/A	
1989-86	V6 3.0L		7R5Y	3725	37254	0.040
<b>F10</b>						
1978-77	L4 1.4L		11R5Y	3733	37334	0.035
1976	L4 1.4L		11R5Y	3733	37334	0.035
<b>Frontier</b>						
2012-09	L4 2.5L		N/A	N/A	N/A	
2012-09	V6 4.0L		9R5Y	3730	37304	0.040
2008-05	L4 2.5L		N/A	N/A	N/A	
2008-05	V6 4.0L	6 CPBs Req	9R5Y	3730	37304	0.040
2004-02	L4 2.4L		7R5Y	3725	37254	0.040
2004-02	V6 3.3L Naturally Aspirated		7R5Y	3725	37254	0.040
2004-02	V6 3.3L Supercharged		7R6Y *	3727	37274	0.043
2001	L4 2.4L		7R5Y	3725	37254	0.040
2001	V6 3.3L Naturally Aspirated		7R5Y	3725	37254	0.040
2001	V6 3.3L Supercharged		7R6Y *	3727	37274	0.043
2000-99	L4 2.4L		7R5Y	3725	37254	0.040
2000-99	V6 3.3L		7R5Y	3725	37254	0.040
1998	L4 2.4L		7R5Y	3725	37254	0.040
<b>GT-R</b>						
2012-09	V6 3.8L		N/A	N/A	N/A	
<b>Maxima</b>						
2012-09	V6 3.5L		N/A	N/A	N/A	
2006-02	V6 3.5L	6 CPBs Req	9R5Y	3730	37304	0.040
2001	V6 3.0L	Left Bank Cyls. 2, 4, 6; 3 CPBs Req	7R5Y	3725	37254	0.040
2001	V6 3.0L	Right Bank Cyls. 1, 3, 5; 3 CPBs Req	7R5Y	3725	37254	0.040
1999	V6 3.0L	From 4/99; Lt Bnk Cyls 2,4,6; 3 CPBs Req	7R5Y	3725	37254	0.040

\* Short Style 6 Series - PN 3741 (single), PN 37414 (4pk) - Pre-gapped 0.035  
 \* Short Style 7 Series - PN 3742 (single), PN 37424 (4pk) - Pre-gapped 0.035



**Nissan Maxima continued**

Make Model Year	Engine Size	Notes:	Plug Type	MSD PN Single	MSD PN 4-Pack	Pre-Gap Setting**
1999	V6 3.0L	Right Bank Cyls. 1, 3, 5; 3 CPBs Req	71R5Y	3725	37254	0.040
1999	V6 3.0L	To 3/99; Lt Bank Cyls. 2, 4, 6; 3 CPBs Req	71R5Y	3725	37254	0.040
1998-95	V6 3.0L	Left Bank Cyls. 2, 4, 6; 3 CPBs Req	71R5Y	3725	37254	0.040
1998-95	V6 3.0L	Right Bank Cyls. 1, 3, 5; 3 CPBs Req	71R5Y	3725	37254	0.040
1994-92	V6 3.0L	Eng VG30E SOHC	71R6Y *	3727	37274	0.043
1994-92	V6 3.0L	VE30DE DOHC, Lt Bnk Cyl2,4,6; 3 CPBs Req	71R5Y	3725	37254	0.040
1994-92	V6 3.0L	VE30DE DOHC, Rt Bnk Cyl1,3,5; 3 CPBs Req	71R5Y	3725	37254	0.040
1991-89	V6 3.0L		71R6Y *	3727	37274	0.043
1988-86	V6 3.0L		71R6Y *	3727	37274	0.043
1985	V6 3.0L		71R6Y *	3727	37274	0.043
1984	L6 2.4L		N/A	N/A	N/A	
1983-81	L6 2.4L		N/A	N/A	N/A	
1983-81	L6 2.8L		N/A	N/A	N/A	
<b>Micra</b>						
1991-84	L4 1.2L		11R5Y	3733	37334	0.035
<b>Multi</b>						
1988-86	L4 2.0L	Exhaust	71R5Y	3725	37254	0.040
1988-86	L4 2.0L	Intake	71R6Y *	3727	37274	0.043
<b>Murano</b>						
2012-09	V6 3.5L		N/A	N/A	N/A	
2007-03	V6 3.5L	6 CPBs Req	91R5Y	3730	37304	0.040
<b>NV1500</b>						
2012	V6 4.0L		91R5Y	3730	37304	0.040
<b>NV2500</b>						
2012	V6 4.0L		91R5Y	3730	37304	0.040
2012	V8 5.6L		91R5Y	3730	37304	0.040
<b>NV3500</b>						
2012	V8 5.6L		91R5Y	3730	37304	0.040
<b>NX</b>						
1993-91	L4 1.6L		71R5Y	3725	37254	0.040
1993-91	L4 2.0L		71R6Y *	3727	37274	0.043
<b>Pathfinder</b>						
2012-09	V6 4.0L		91R5Y	3730	37304	0.040
2012-09	V8 5.6L		91R5Y	3730	37304	0.040
2008	V6 4.0L	6 CPBs Req	91R5Y	3730	37304	0.040
2008	V8 5.6L		91R5Y	3730	37304	0.040
2007-05	V6 4.0L	6 CPBs Req	91R5Y	3730	37304	0.040
2004	V6 3.5L	6 CPBs Req	91R5Y	3730	37304	0.040
2004	V8 5.6L	8 CPBs Req	91R5Y	3730	37304	0.040
2003-02	V6 3.5L	6 CPBs Req	91R5Y	3730	37304	0.040
2001	V6 3.5L	From 07/01; 6 CPBs Req	91R5Y	3730	37304	0.040
2001	V6 3.5L	To 07/01; Cyl. 1; 1	91R5Y	3730	37304	0.040
2001	V6 3.5L	To 07/01; Cyls. 2-6; 5 CPBs Req	91R5Y	3730	37304	0.040
2000-98	V6 3.3L		71R5Y	3725	37254	0.040
1997-96	V6 3.3L		71R5Y	3725	37254	0.040
1995-91	V6 3.0L		71R6Y *	3727	37274	0.043
1990	V6 3.0L	Eng VG30E	71R6Y *	3727	37274	0.043
1989	V6 3.0L		71R5Y	3725	37254	0.040
1988-87	L4 2.4L	Exhaust	11R5Y	3733	37334	0.035
1988-87	L4 2.4L	Intake	N/A	N/A	N/A	
1988-87	V6 3.0L		71R5Y	3725	37254	0.040
<b>Pickup</b>						
1997	L4 2.4L		N/A	N/A	N/A	
1996-95	L4 2.4L		N/A	N/A	N/A	
1996-95	V6 3.0L		71R6Y *	3727	37274	0.043
<b>Pulsar</b>						
1983	L4 1.6L		11R5Y	3733	37334	0.035
<b>Pulsar NX</b>						
1990	L4 1.6L		71R5Y	3725	37254	0.040
1989	L4 1.6L		71R5Y	3725	37254	0.040
1989	L4 1.8L	4 CPBs Req	71R6Y *	3727	37274	0.043
1988	L4 1.6L		11R5Y	3733	37334	0.035
1988	L4 1.8L	4 CPBs Req	71R6Y *	3727	37274	0.043
1987	L4 1.6L	Eng E16l	11R5Y	3733	37334	0.035

Make Model Year	Engine Size	Notes:	Plug Type	MSD PN Single	MSD PN 4-Pack	Pre-Gap Setting**
1987	L4 1.6L	Eng CA16DE, 4 CPBs Req	71R6Y *	3727	37274	0.043
1986-85	L4 1.6L		11R5Y	3733	37334	0.035
1984-63	L4 1.5L		N/A	N/A	N/A	
1984-63	L4 1.6L		11R5Y	3733	37334	0.035
<b>Quest</b>						
2012-11	V6 3.5L		N/A	N/A	N/A	
2009-08	V6 3.5L		91R5Y	3730	37304	0.040
2007-04	V6 3.5L	6 CPBs Req	91R5Y	3730	37304	0.040
2002-01	V6 3.3L		71R5Y	3725	37254	0.040
2000-99	V6 3.3L		71R5Y	3725	37254	0.040
1998-93	V6 3.0L		71R5Y	3725	37254	0.040
<b>Rogue</b>						
2012-08	L4 2.5L		N/A	N/A	N/A	
<b>Sentra</b>						
2012-11	L4 2.0L		N/A	N/A	N/A	
2012-11	L4 2.5L		N/A	N/A	N/A	
2010-07	L4 2.0L		N/A	N/A	N/A	
2010-07	L4 2.5L		N/A	N/A	N/A	
2006-05	L4 1.8L	Exc. Calif.; 4 CPBs Req	91R5Y	3730	37304	0.040
2006-05	L4 2.5L	4 CPBs Req	91R5Y	3730	37304	0.040
2004-02	L4 1.8L	4 CPBs Req	91R5Y	3730	37304	0.040
2004-02	L4 2.5L	4 CPBs Req	91R5Y	3730	37304	0.040
2001	L4 1.8L		91R5Y	3730	37304	0.040
2001	L4 2.0L		71R5Y	3725	37254	0.040
1999-98	L4 1.6L		71R5Y	3725	37254	0.040
1999-98	L4 2.0L		71R6Y *	3727	37274	0.043
1997-95	L4 1.6L		71R5Y	3725	37254	0.040
1994-93	L4 1.6L		71R5Y	3725	37254	0.040
1994-93	L4 2.0L		71R6Y *	3727	37274	0.043
1992	L4 1.6L	Vin E	71R5Y	3725	37254	0.040
1992	L4 1.6L	Vin P	71R5Y	3725	37254	0.040
1992	L4 2.0L		71R6Y *	3727	37274	0.043
1991	L4 1.6L		71R5Y	3725	37254	0.040
1991	L4 2.0L		71R6Y *	3727	37274	0.043
1990-89	L4 1.6L		71R5Y	3725	37254	0.040
1988	L4 1.6L		N/A	N/A	N/A	
1987	L4 1.6L		N/A	N/A	N/A	
1987	L4 1.7L		N/A	N/A	N/A	
1986-84	L4 1.6L		11R5Y	3733	37334	0.035
1986-84	L4 1.7L		N/A	N/A	N/A	
1983	L4 1.5L		11R5Y	3733	37334	0.035
1983	L4 1.6L		11R5Y	3733	37334	0.035
1983	L4 1.7L		N/A	N/A	N/A	
1982	L4 1.5L		11R5Y	3733	37334	0.035
<b>Stanza</b>						
1992-90	L4 2.4L		N/A	N/A	N/A	
1989	L4 2.0L	Exhaust, Hatchback	71R5Y	3725	37254	0.040
1989	L4 2.0L	Exhaust, Sedan	71R5Y	3725	37254	0.040
1989	L4 2.0L	Intake, Hatchback	71R6Y *	3727	37274	0.043
1989	L4 2.0L	Intake, Sedan	71R6Y *	3727	37274	0.043
1988-87	L4 2.0L	Exhaust, Hatchback	71R5Y	3725	37254	0.040
1988-87	L4 2.0L	Exhaust, Sedan	71R5Y	3725	37254	0.040
1988-87	L4 2.0L	Exhaust, Wagon	71R5Y	3725	37254	0.040
1988-87	L4 2.0L	Intake, Hatchback	71R6Y *	3727	37274	0.043
1988-87	L4 2.0L	Intake, Sedan	71R6Y *	3727	37274	0.043
1988-87	L4 2.0L	Intake Wagon	71R6Y *	3727	37274	0.043
1986	L4 2.0L	Exhaust, Sedan	71R5Y	3725	37254	0.040
1986	L4 2.0L	Exhaust, Wagon, 1/86	71R5Y	3725	37254	0.040
1986	L4 2.0L	Exhaust, Wagon, To 1/86	71R5Y	3725	37254	0.040
1986	L4 2.0L	Intake, Sedan	71R6Y *	3727	37274	0.043
1986	L4 2.0L	Intake, Wagon, From 1/86	71R6Y *	3727	37274	0.043
1986	L4 2.0L	Intake, Wagon, To 1/86	71R6Y *	3727	37274	0.043
1985	L4 2.0L	Exhaust	71R5Y	3725	37254	0.040
1985	L4 2.0L	Intake	71R6Y *	3727	37274	0.043
1984	L4 2.0L	Eng CA20E, Exhaust	71R5Y	3725	37254	0.040
1984	L4 2.0L	Eng CA20E, Intake	71R6Y *	3727	37274	0.043
1983-82	L4 2.0L	Exhaust	11R5Y	3733	37334	0.035
1983-82	L4 2.0L	Intake	N/A	N/A	N/A	

\* Short Style 6 Series - PN 3741 (single), PN 37414 (4pk) - Pre-gapped 0.035  
 \* Short Style 7 Series - PN 3742 (single), PN 37424 (4pk) - Pre-gapped 0.035

CPB's = Coil Plug Boots  
 \*\* Pre-gapped for optimal performance.



Make Model Year	Engine Size	Notes:	Plug Type	MSD PN Single	MSD PN 4-Pack	Pre-Gap Setting**
<b>Titan</b>						
2012-09	V8 5.6L	FLEX	9IR5Y	3730	37304	0.040
2012-09	V8 5.6L	GAS	9IR5Y	3730	37304	0.040
2008-07	V8 5.6L		9IR5Y	3730	37304	0.040
2006-04	V8 5.6L	8 CPBs Req	9IR5Y	3730	37304	0.040
<b>Van</b>						
1988-87	L4 2.4L		11IR5Y	3733	37334	0.035
<b>Versa</b>						
2011-07	L4 1.8L		N/A	N/A	N/A	
<b>Xterra</b>						
2012-09	V6 4.0L		9IR5Y	3730	37304	0.040
2008-05	V6 4.0L	6 CPBs Req	9IR5Y	3730	37304	0.040
2004-02	L4 2.4L		7IR5Y	3725	37254	0.040
2004-02	V6 3.3L	Naturally Aspirated	7IR5Y	3725	37254	0.040
2004-02	V6 3.3L	Supercharged	7IR6Y *	3727	37274	0.043
2001	L4 2.4L		7IR5Y	3725	37254	0.040
2001	V6 3.3L		7IR5Y	3725	37254	0.040
2000	L4 2.4L		7IR5Y	3725	37254	0.040
2000	V6 3.3L		7IR5Y	3725	37254	0.040
<b>X-Trail</b>						
2006-05	L4 2.5L	4 CPBs Req	9IR5Y	3730	37304	0.040
<b>Oldsmobile</b>						
<b>88</b>						
1999-94	V6 3.8L		1IR4Y	3711	37114	0.047
1993-92	V6 3.8L		1IR5Y	3713	37134	0.043
1957	V8 6.1L		15IR5Y	3739	37394	0.035
<b>98</b>						
1996-94	V6 3.8L		1IR4Y	3711	37114	0.047
1993-88	V6 3.8L		1IR5Y	3713	37134	0.043
1987-86	V6 3.8L		1IR5Y	3713	37134	0.043
1985	V6 3.0L		6IR4Y	3720	37204	0.035
1985	V6 3.8L		6IR4Y	3720	37204	0.035
1984	V8 5.0L		15IR4Y	3738	37384	0.035
1983-81	V6 4.1L		6IR4Y	3720	37204	0.035
1983-81	V8 5.0L		15IR4Y	3738	37384	0.035
1980	V8 5.0L		15IR4Y	3738	37384	0.035
1980	V8 5.7L	GAS	15IR4Y	3738	37384	0.035
1979-78	V8 5.7L	GAS	15IR4Y	3738	37384	0.035
1979-78	V8 6.6L		15IR4Y	3738	37384	0.035
1977	V8 5.7L		15IR4Y	3738	37384	0.035
1977	V8 6.6L		15IR4Y	3738	37384	0.035
1976	V8 7.5L		15IR4Y	3738	37384	0.035
1975	V8 6.6L		6IR4Y	3720	37204	0.035
1975	V8 7.5L		15IR4Y	3738	37384	0.035
1974	V8 7.5L	Vin T, HEI	15IR4Y	3738	37384	0.035
1974	V8 7.5L	Vin T, W/O HEI	15IR4Y	3738	37384	0.035
1974	V8 7.5L	Vin U, H.O.	15IR4Y	3738	37384	0.035
1973	V8 5.7L		15IR4Y	3738	37384	0.035
1973	V8 7.5L	HEI	15IR4Y	3738	37384	0.035
1973	V8 7.5L	W/O HEI	15IR4Y	3738	37384	0.035
1972	V8 5.7L		15IR4Y	3738	37384	0.035
1972	V8 7.5L		15IR4Y	3738	37384	0.035
1971	V8 7.5L		15IR4Y	3738	37384	0.035
1970	V8 7.5L		15IR4Y	3738	37384	0.035
1969-68	V8 7.5L		15IR5Y	3739	37394	0.035
1967-65	V8 7.0L		15IR5Y	3739	37394	0.035
1964-60	V8 6.5L		15IR5Y	3739	37394	0.035
1959-58	V8 6.1L		15IR5Y	3739	37394	0.035
<b>442</b>						
1971	V8 7.5L		15IR4Y	3738	37384	0.035
1970	V8 5.7L		15IR4Y	3738	37384	0.035
1970	V8 7.5L		15IR4Y	3738	37384	0.035
1969-68	V8 5.7L		15IR4Y	3738	37384	0.035
1969-68	V8 6.6L		15IR5Y	3739	37394	0.035
1969-68	V8 7.5L		15IR5Y	3739	37394	0.035
1967-65	V8 6.6L		15IR5Y	3739	37394	0.035

CPB's = Coil Plug Boots  
 \*\* Pre-gapped for optimal performance.

Make Model Year	Engine Size	Notes:	Plug Type	MSD PN Single	MSD PN 4-Pack	Pre-Gap Setting**
<b>Achieva</b>						
1998-96	L4 2.4L	4 CPBs Req	1IR5Y	3713	37134	0.043
1998-96	V6 3.1L		1IR4Y	3711	37114	0.047
1995	L4 2.3L	4 CPBs Req	1IR5Y	3713	37134	0.043
1995	V6 3.1L		1IR4Y	3711	37114	0.047
1994	L4 2.3L	Vin 3, 4 CPBs Req	7IR4Y	3724	37244	0.040
1994	L4 2.3L	Vin A, 4 CPBs Req	7IR5Y	3725	37254	0.040
1994	L4 2.3L	Vin D, 4 CPBs Req	7IR4Y	3724	37244	0.040
1994	V6 3.1L		1IR4Y	3711	37114	0.047
1993-92	L4 2.3L	Vin 3, 4 CPBs Req	7IR4Y	3724	37244	0.040
1993-92	L4 2.3L	Vin A, 4 CPBs Req	7IR5Y	3725	37254	0.040
1993-92	L4 2.3L	Vin D, 4 CPBs Req	7IR4Y	3724	37244	0.040
1993-92	V6 3.3L		1IR5Y	3713	37134	0.043
<b>Alero</b>						
2004-02	L4 2.2L	4 CPBs Req	5IR5Y	3719	37194	0.040
2004-02	V6 3.4L		N/A	N/A	N/A	
2001-99	L4 2.4L	4 CPBs Req	1IR5Y	3713	37134	0.043
2001-99	V6 3.4L		1IR4Y	3711	37114	0.047
<b>Aurora</b>						
2003	V8 4.0L	8 CPBs Req	1IR5Y	3713	37134	0.043
2002-01	V6 3.5L	6 CPBs Req	1IR5Y	3713	37134	0.043
2002-01	V8 4.0L	8 CPBs Req	1IR5Y	3713	37134	0.043
1999-95	V8 4.0L		1IR5Y	3713	37134	0.043
<b>Bravada</b>						
2004-02	L6 4.2L	6 CPBs Req	5IR5Y	3719	37194	0.040
2001-96	V6 4.3L		1IR5L	3712	37124	0.047
1994	V6 4.3L		6IR5Y	3722	37224	0.035
1993-91	V6 4.3L		6IR5Y	3722	37224	0.035
<b>Calais</b>						
1987	L4 2.3L	4 CPBs Req	7IR4Y	3724	37244	0.040
1987	L4 2.5L		6IR5Y	3722	37224	0.035
1987	V6 3.0L		1IR5Y	3713	37134	0.043
1986	L4 2.5L		6IR5Y	3722	37224	0.035
1986	V6 3.0L		1IR5Y	3713	37134	0.043
1985	L4 2.5L		6IR5Y	3722	37224	0.035
1985	V6 3.0L		1IR5Y	3713	37134	0.043
<b>Custom Cruiser</b>						
1992	V8 5.0L		6IR4Y	3720	37204	0.035
1992	V8 5.7L		6IR5Y	3722	37224	0.035
1991	V8 5.0L		6IR4Y	3720	37204	0.035
1990-85	V8 5.0L		7IR4Y	3724	37244	0.040
1984-81	V8 5.0L		15IR4Y	3738	37384	0.035
1980	V8 5.0L		15IR4Y	3738	37384	0.035
1980	V8 5.7L	GAS	15IR4Y	3738	37384	0.035
1979-78	V8 5.7L	GAS	15IR4Y	3738	37384	0.035
1979-78	V8 6.6L		15IR4Y	3738	37384	0.035
1977	V8 5.7L	Vin L	6IR4Y	3720	37204	0.035
1977	V8 5.7L	Vin R	15IR4Y	3738	37384	0.035
1977	V8 6.6L		15IR4Y	3738	37384	0.035
1976	V8 7.5L	HEI	15IR4Y	3738	37384	0.035
1976	V8 7.5L	W/O HEI	15IR4Y	3738	37384	0.035
1975	V8 6.6L		6IR4Y	3720	37204	0.035
1975	V8 7.5L	HEI	15IR4Y	3738	37384	0.035
1975	V8 7.5L	W/O HEI	15IR4Y	3738	37384	0.035
1974	V8 7.5L	HEI	15IR4Y	3738	37384	0.035
1974	V8 7.5L	W/O HEI	15IR4Y	3738	37384	0.035
1973	V8 5.7L		15IR4Y	3738	37384	0.035
1973	V8 7.5L	W/O HEI	15IR4Y	3738	37384	0.035
1973	V8 5.7L		15IR4Y	3738	37384	0.035
1973	V8 7.5L	HEI	15IR4Y	3738	37384	0.035
1972-71	V8 7.5L		15IR4Y	3738	37384	0.035
<b>Cutlass</b>						
1999-97	V6 3.1L		1IR4Y	3711	37114	0.047
1987-85	V8 5.0L		6IR4Y	3720	37204	0.035
1981	V6 3.8L		6IR4Y	3720	37204	0.035
1981	V8 4.3L		15IR4Y	3738	37384	0.035
1981	V8 4.4L		6IR4Y	3720	37204	0.035
1980	V6 3.8L		6IR4Y	3720	37204	0.035
1980	V8 4.3L		15IR4Y	3738	37384	0.035
1980	V8 5.0L		6IR4Y	3720	37204	0.035

\* Short Style 6 Series - PN 3741 (single), PN 37414 (4pk) - Pre-gapped 0.035  
 \* Short Style 7 Series - PN 3742 (single), PN 37424 (4pk) - Pre-gapped 0.035



# Oldsmobile Cutlass continued

Make Model Year	Engine Size	Notes:	Plug Type	MSD PN Single	MSD PN 4-Pack	Pre-Gap Setting**
1980	V8 5.7L	GAS	151R4Y	3738	37384	0.035
1979	V6 3.8L		61R4Y	3720	37204	0.035
1979	V8 4.3L		151R4Y	3738	37384	0.035
1979	V8 5.0L		61R4Y	3720	37204	0.035
1979	V8 5.7L	Vin L	61R4Y	3720	37204	0.035
1979	V8 5.7L	Vin R	151R4Y	3738	37384	0.035
1978	V6 3.8L		61R4Y	3720	37204	0.035
1978	V8 4.3L		151R4Y	3738	37384	0.035
1978	V8 5.0L		61R4Y	3720	37204	0.035
1978	V8 5.7L		61R4Y	3720	37204	0.035
1977	V6 3.8L		61R4Y	3720	37204	0.035
1977	V8 4.3L		151R4Y	3738	37384	0.035
1977	V8 5.7L		151R4Y	3738	37384	0.035
1977	V8 6.6L		151R4Y	3738	37384	0.035
1976	L6 4.1L		61R4Y	3720	37204	0.035
1976	V8 4.3L		151R4Y	3738	37384	0.035
1976	V8 5.7L		151R4Y	3738	37384	0.035
1976	V8 7.5L		151R4Y	3738	37384	0.035
1975	L6 4.1L		61R5Y	3722	37224	0.035
1975	V8 4.3L		151R4Y	3738	37384	0.035
1975	V8 5.7L		151R4Y	3738	37384	0.035
1975	V8 7.5L		151R4Y	3738	37384	0.035
1974	L6 4.1L		61R4Y	3720	37204	0.035
1974	V8 5.7L		151R4Y	3738	37384	0.035
1974	V8 7.5L		151R4Y	3738	37384	0.035
1973-72	V8 5.7L		151R4Y	3738	37384	0.035
1973-72	V8 7.5L		151R4Y	3738	37384	0.035
1971	L6 4.1L		61R4Y	3720	37204	0.035
1971	V8 5.7L		151R4Y	3738	37384	0.035
1971	V8 7.5L		151R4Y	3738	37384	0.035
1970	L6 4.1L		61R4Y	3720	37204	0.035
1970	V8 5.7L		151R4Y	3738	37384	0.035
1970	V8 7.5L		151R4Y	3738	37384	0.035
1969	L6 4.1L		111R4Y	3731	37314	0.035
1969	V8 5.7L		151R4Y	3738	37384	0.035
1969	V8 6.6L		151R5Y	3739	37394	0.035
1968	L6 4.1L		111R4Y	3731	37314	0.035
1968	V8 5.7L		151R4Y	3738	37384	0.035
1968	V8 6.6L		151R5Y	3739	37394	0.035
1967-65	V8 5.4L		151R5Y	3739	37394	0.035
1967-65	V8 6.6L		151R5Y	3739	37394	0.035
1964	V8 5.4L		151R5Y	3739	37394	0.035
1963-62	V8 3.5L		131R6Y	3736	37364	0.032

## Cutlass Calais

1991-89	L4 2.3L	4 CPBs Req	71R4Y	3724	37244	0.040
1991-89	L4 2.5L		61R5Y	3722	37224	0.035
1991-89	V6 3.3L		11R5Y	3713	37134	0.043
1988	L4 2.3L	4 CPBs Req	71R4Y	3724	37244	0.040
1988	L4 2.5L		61R5Y	3722	37224	0.035
1988	V6 3.0L		11R5Y	3713	37134	0.043
1984	V6 3.8L		61R4Y	3720	37204	0.035
1984	V8 5.0L	Vin 9	151R4Y	3738	37384	0.035
1984	V8 5.0L	Vin H	61R4Y	3720	37204	0.035
1984	V8 5.0L	Vin Y	151R4Y	3738	37384	0.035
1983	V6 3.8L		61R4Y	3720	37204	0.035
1983	V8 5.0L		151R4Y	3738	37384	0.035
1982	V6 3.8L		61R4Y	3720	37204	0.035
1982	V8 4.3L		151R4Y	3738	37384	0.035
1982	V8 4.4L		61R4Y	3720	37204	0.035
1982	V8 5.0L		151R4Y	3738	37384	0.035
1981	V6 3.8L		61R4Y	3720	37204	0.035
1981	V8 4.3L		151R4Y	3738	37384	0.035
1980	V6 3.8L		61R4Y	3720	37204	0.035
1980	V8 4.3L		151R4Y	3738	37384	0.035
1980	V8 5.0L		61R4Y	3720	37204	0.035
1980	V8 5.7L	GAS	151R4Y	3738	37384	0.035
1979	V6 3.8L		61R4Y	3720	37204	0.035
1979	V8 4.3L	GAS	151R4Y	3738	37384	0.035
1979	V8 5.0L		61R4Y	3720	37204	0.035

Make Model Year	Engine Size	Notes:	Plug Type	MSD PN Single	MSD PN 4-Pack	Pre-Gap Setting**
1979	V8 5.7L		151R4Y	3738	37384	0.035
1978	V6 3.8L		61R4Y	3720	37204	0.035
1978	V8 4.3L		151R4Y	3738	37384	0.035
1978	V8 5.0L		61R4Y	3720	37204	0.035

## Cutlass Ciera

1996-94	L4 2.2L		11R5Y	3713	37134	0.043
1996-94	V6 3.1L		11R4Y	3711	37114	0.047
1993	L4 2.2L		11R4Y	3711	37114	0.047
1993	V6 3.3L		11R5Y	3713	37134	0.043
1992-90	L4 2.5L		61R5Y	3722	37224	0.035
1992-90	V6 3.3L		11R5Y	3713	37134	0.043
1989	L4 2.5L		61R5Y	3722	37224	0.035
1989	V6 2.8L		11R4Y	3711	37114	0.047
1989	V6 3.3L		11R5Y	3713	37134	0.043
1988-87	L4 2.5L		61R5Y	3722	37224	0.035
1988-87	V6 2.8L		11R4Y	3711	37114	0.047
1988-87	V6 3.8L		11R5Y	3713	37134	0.043
1986	L4 2.5L		61R5Y	3722	37224	0.035
1986	V6 2.8L		61R5Y	3722	37224	0.035
1986	V6 3.8L		11R5Y	3713	37134	0.043
1985-84	L4 2.5L		61R5Y	3722	37224	0.035
1985-84	V6 2.8L		61R5Y	3722	37224	0.035
1985-84	V6 3.0L		61R4Y	3720	37204	0.035
1985-84	V6 3.8L		61R4Y	3720	37204	0.035
1983	L4 2.5L		61R4Y	3720	37204	0.035
1983	V6 2.8L		61R5Y	3722	37224	0.035
1983	V6 3.0L		61R4Y	3720	37204	0.035
1982	L4 2.5L		61R4Y	3720	37204	0.035
1982	V6 2.8L		61R5Y	3722	37224	0.035
1982	V6 3.0L		61R4Y	3720	37204	0.035

## Cutlass Cruiser

1990	L4 2.5L		61R5Y	3722	37224	0.035
1990	V6 3.3L		11R5Y	3713	37134	0.043
1989	L4 2.5L		61R5Y	3722	37224	0.035
1989	V6 2.8L		11R4Y	3711	37114	0.047
1989	V6 3.3L		11R5Y	3713	37134	0.043
1988-87	L4 2.5L		61R5Y	3722	37224	0.035
1988-87	V6 2.8L		11R4Y	3711	37114	0.047
1988-87	V6 3.8L		11R5Y	3713	37134	0.043
1983	V6 3.8L		61R4Y	3720	37204	0.035
1983	V8 5.0L	Vin H	61R4Y	3720	37204	0.035
1983	V8 5.0L	Vin Y	151R4Y	3738	37384	0.035
1982	V6 3.8L		61R4Y	3720	37204	0.035
1982	V8 4.3L		151R4Y	3738	37384	0.035
1982	V8 4.4L		61R4Y	3720	37204	0.035
1982	V8 5.0L	Vin H	61R4Y	3720	37204	0.035
1982	V8 5.0L	Vin Y	151R4Y	3738	37384	0.035
1981	V6 3.8L		61R4Y	3720	37204	0.035
1981	V8 4.3L		151R4Y	3738	37384	0.035
1981	V8 5.0L		151R4Y	3738	37384	0.035
1980	V6 3.8L		61R4Y	3720	37204	0.035
1980	V8 4.3L		151R4Y	3738	37384	0.035
1980	V8 5.0L		61R4Y	3720	37204	0.035
1980	V8 5.7L	GAS	151R4Y	3738	37384	0.035

## Cutlass Salon

1987-86	V6 3.8L		61R4Y	3720	37204	0.035
1987-86	V8 5.0L		71R4Y	3724	37244	0.040
1985	V6 3.8L		61R4Y	3720	37204	0.035
1985	V8 5.0L	Vin 9	151R4Y	3738	37384	0.035
1985	V8 5.0L	Vin Y	71R4Y	3724	37244	0.040
1980	V6 3.8L		61R4Y	3720	37204	0.035
1980	V8 4.3L		151R4Y	3738	37384	0.035
1980	V8 5.0L		61R4Y	3720	37204	0.035
1979	V6 3.8L		61R4Y	3720	37204	0.035
1979	V8 4.3L	GAS	151R4Y	3738	37384	0.035
1979	V8 5.0L		61R4Y	3720	37204	0.035
1979	V8 5.7L		151R4Y	3738	37384	0.035
1978	V6 3.8L		61R4Y	3720	37204	0.035
1978	V8 4.3L		151R4Y	3738	37384	0.035
1978	V8 5.0L		61R4Y	3720	37204	0.035

\* Short Style 6 Series - PN 3741 (single), PN 37414 (4pk) - Pre-gapped 0.035  
 \* Short Style 7 Series - PN 3742 (single), PN 37424 (4pk) - Pre-gapped 0.035

CPB's = Coil Plug Boots  
 \*\* Pre-gapped for optimal performance.





Make Model Year	Engine Size	Notes:	Plug Type	MSD PN Single	MSD PN 4-Pack	Pre-Gap Setting**
1977	V8 4.3L		151R4Y	3738	37384	0.035
1977	V8 5.7L		151R4Y	3738	37384	0.035
1977	V8 6.6L		151R4Y	3738	37384	0.035
1976	V8 4.3L		151R4Y	3738	37384	0.035
1976	V8 5.7L		151R4Y	3738	37384	0.035
1976	V8 7.5L		151R4Y	3738	37384	0.035
1975	V8 4.3L		151R4Y	3738	37384	0.035
1975	V8 5.7L		151R4Y	3738	37384	0.035
1975	V8 7.5L		151R4Y	3738	37384	0.035
<b>Cutlass Supreme</b>						
1997	V6 3.1L		11R4Y	3711	37114	0.047
1996	V6 3.1L		11R4Y	3711	37114	0.047
1996	V6 3.4L		11R4Y	3711	37114	0.047
1995-94	V6 3.1L		11R4Y	3711	37114	0.047
1995-94	V6 3.4L		11R5Y	3713	37134	0.043
1993	V6 3.1L	Vin M	11R5Y	3713	37134	0.043
1993	V6 3.1L	Vin T	11R4Y	3711	37114	0.047
1993	V6 3.4L		11R5Y	3713	37134	0.043
1992	V6 3.1L		11R4Y	3711	37114	0.047
1992	V6 3.4L		11R5Y	3713	37134	0.043
1991	L4 2.3L	4 CPBs Req	71R4Y	3724	37244	0.040
1991	V6 3.1L		11R4Y	3711	37114	0.047
1991	V6 3.4L		11R5Y	3713	37134	0.043
1990	L4 2.3L	4 CPBs Req	71R4Y	3724	37244	0.040
1990	V6 3.1L		11R4Y	3711	37114	0.047
1989	V6 2.8L		11R4Y	3711	37114	0.047
1989	V6 3.1L		11R4Y	3711	37114	0.047
1988	V6 2.8L		11R4Y	3711	37114	0.047
1988	V8 5.0L		71R4Y	3724	37244	0.040
1987	V6 3.8L		61R4Y	3720	37204	0.035
1987	V8 5.0L	Vin 9	71R4Y	3724	37244	0.040
1987	V8 5.0L	Vin H	61R4Y	3720	37204	0.035
1987	V8 5.0L	Vin Y	71R4Y	3724	37244	0.040
1986-85	V6 3.8L		61R4Y	3720	37204	0.035
1986-85	V8 5.0L	Vin H	61R4Y	3720	37204	0.035
1986-85	V8 5.0L	Vin Y	71R4Y	3724	37244	0.040
1984	V6 3.8L		61R4Y	3720	37204	0.035
1984	V8 5.0L		151R4Y	3738	37384	0.035
1983	V6 3.8L		61R4Y	3720	37204	0.035
1983	V8 5.0L	Vin H	61R4Y	3720	37204	0.035
1983	V8 5.0L	Vin Y	151R4Y	3738	37384	0.035
1982	V6 3.8L		61R4Y	3720	37204	0.035
1982	V8 4.3L		151R4Y	3738	37384	0.035
1982	V8 4.4L		61R4Y	3720	37204	0.035
1982	V8 5.0L		151R4Y	3738	37384	0.035
1981	V6 3.8L		61R4Y	3720	37204	0.035
1981	V8 4.3L		151R4Y	3738	37384	0.035
1980	V6 3.8L		61R4Y	3720	37204	0.035
1980	V8 4.3L		151R4Y	3738	37384	0.035
1980	V8 5.0L		61R4Y	3720	37204	0.035
1980	V8 5.7L	GAS	151R4Y	3738	37384	0.035
1979	V6 3.8L		61R4Y	3720	37204	0.035
1979	V8 4.3L	GAS	151R4Y	3738	37384	0.035
1979	V8 5.0L		61R4Y	3720	37204	0.035
1979	V8 5.7L	GAS	151R4Y	3738	37384	0.035
1978	V6 3.8L		61R4Y	3720	37204	0.035
1978	V8 4.3L		151R4Y	3738	37384	0.035
1978	V8 5.0L		61R4Y	3720	37204	0.035
1978	V8 5.7L		61R4Y	3720	37204	0.035
1977	V6 3.8L		61R4Y	3720	37204	0.035
1977	V8 4.3L		151R4Y	3738	37384	0.035
1977	V8 5.7L		151R4Y	3738	37384	0.035
1977	V8 6.6L		151R4Y	3738	37384	0.035
1976	L6 4.1L		61R4Y	3720	37204	0.035
1976	V8 4.3L		151R4Y	3738	37384	0.035
1976	V8 5.7L		151R4Y	3738	37384	0.035
1976	V8 7.5L		151R4Y	3738	37384	0.035
1975	L6 4.1L		61R5Y	3722	37224	0.035
1975	V8 4.3L		151R4Y	3738	37384	0.035
1975	V8 5.7L		151R4Y	3738	37384	0.035
1975	V8 7.5L		151R4Y	3738	37384	0.035

CPB's = Coil Plug Boots  
 \*\* Pre-gapped for optimal performance.

Make Model Year	Engine Size	Notes:	Plug Type	MSD PN Single	MSD PN 4-Pack	Pre-Gap Setting**
1974	L6 4.1L		61R4Y	3720	37204	0.035
1974	V8 5.7L		151R4Y	3738	37384	0.035
1974	V8 7.5L		151R4Y	3738	37384	0.035
1973-72	V8 5.7L		151R4Y	3738	37384	0.035
1973-72	V8 7.5L		151R4Y	3738	37384	0.035
1971	V8 7.5L		151R4Y	3738	37384	0.035
<b>Delmont 88</b>						
1968	V8 5.7L		151R4Y	3738	37384	0.035
1967	V8 5.4L		151R5Y	3739	37394	0.035
1967	V8 7.0L		151R5Y	3739	37394	0.035
<b>Delta 88</b>						
1991-89	V6 3.8L		11R5Y	3713	37134	0.043
1988	V6 3.8L	Vin 3	11R5Y	3713	37134	0.043
1988	V6 3.8L	Vin C	11R5Y	3713	37134	0.043
1987	V6 3.8L		11R5Y	3713	37134	0.043
1986	V6 3.0L		11R5Y	3713	37134	0.043
1986	V6 3.8L		11R5Y	3713	37134	0.043
1985	V6 3.8L		61R4Y	3720	37204	0.035
1985	V8 5.0L		71R4Y	3724	37244	0.040
1984-83	V6 3.8L		61R4Y	3720	37204	0.035
1984-83	V8 5.0L		151R4Y	3738	37384	0.035
1982-81	V6 3.8L		61R4Y	3720	37204	0.035
1982-81	V5 4.3L		151R4Y	3738	37384	0.035
1982-81	V8 4.4L		61R4Y	3720	37204	0.035
1982-81	V8 5.0L		151R4Y	3738	37384	0.035
1980	V6 3.8L		61R4Y	3720	37204	0.035
1980	V5 4.3L		151R4Y	3738	37384	0.035
1980	V8 5.0L		151R4Y	3738	37384	0.035
1980	V8 5.7L	GAS	151R4Y	3738	37384	0.035
1979	V6 3.8L		61R4Y	3720	37204	0.035
1979	V8 4.3L		151R4Y	3738	37384	0.035
1979	V8 4.9L		61R4Y	3720	37204	0.035
1979	V8 5.7L	GAS	151R4Y	3738	37384	0.035
1979	V8 6.6L		151R4Y	3738	37384	0.035
1978	V6 3.8L		61R4Y	3720	37204	0.035
1978	V8 4.3L		151R4Y	3738	37384	0.035
1978	V8 5.7L	GAS	151R4Y	3738	37384	0.035
1978	V8 6.6L		151R4Y	3738	37384	0.035
1977	V6 3.8L		61R4Y	3720	37204	0.035
1977	V8 4.3L		151R4Y	3738	37384	0.035
1977	V8 5.7L	Vin G	61R4Y	3720	37204	0.035
1977	V8 5.7L	Vin L	61R4Y	3720	37204	0.035
1977	V8 5.7L	Vin R	151R4Y	3738	37384	0.035
1977	V8 6.6L		151R4Y	3738	37384	0.035
1976	V8 5.7L		151R4Y	3738	37384	0.035
1976	V8 7.5L		151R4Y	3738	37384	0.035
1975	V8 5.7L		151R4Y	3738	37384	0.035
1975	V8 6.6L	Vin R	61R4Y	3720	37204	0.035
1975	V8 7.5L		151R4Y	3738	37384	0.035
1974	V8 5.7L		151R4Y	3738	37384	0.035
1974	V8 7.5L	Vin R	151R4Y	3738	37384	0.035
1974	V8 7.5L	Vin T, HEI	151R4Y	3738	37384	0.035
1974	V8 7.5L	Vin T, W/O HEI	151R4Y	3738	37384	0.035
1974	V8 7.5L	Vin U, H.O.	151R4Y	3738	37384	0.035
1973	V8 5.7L		151R4Y	3738	37384	0.035
1973	V8 7.5L	HEI	151R4Y	3738	37384	0.035
1973	V8 7.5L	W/O HEI	151R4Y	3738	37384	0.035
1972-71	V8 5.7L		151R4Y	3738	37384	0.035
1972-71	V8 7.5L		151R4Y	3738	37384	0.035
1970-68	V8 5.7L		151R4Y	3738	37384	0.035
1970-68	V8 7.5L		151R4Y	3738	37384	0.035
1967	V8 5.4L		151R5Y	3739	37394	0.035
1967	V8 7.0L		151R5Y	3739	37394	0.035
1966-65	V8 7.0L		151R5Y	3739	37394	0.035
<b>Dynamic</b>						
1966-65	V8 7.0L		151R5Y	3739	37394	0.035
1964-61	V8 6.5L		151R5Y	3739	37394	0.035
1960	V8 6.1L		151R5Y	3739	37394	0.035
1960	V8 6.5L		151R5Y	3739	37394	0.035
1959-58	V8 6.1L		151R5Y	3739	37394	0.035

\* Short Style 6 Series - PN 3741 (single), PN 37414 (4pk) - Pre-gapped 0.035  
 \* Short Style 7 Series - PN 3742 (single), PN 37424 (4pk) - Pre-gapped 0.035



# Oldsmobile F85

Make Model Year	Engine Size	Notes:	Plug Type	MSD PN Single	MSD PN 4-Pack	Pre-Gap Setting**
<b>F85</b>						
1972	V8 5.7L		151R4Y	3738	37384	0.035
1972	V8 7.5L		151R4Y	3738	37384	0.035
1971	L6 4.1L		61R4Y	3720	37204	0.035
1971	V8 5.7L		151R4Y	3738	37384	0.035
1970	L6 4.1L		61R4Y	3720	37204	0.035
1970	V8 5.7L		151R4Y	3738	37384	0.035
1970	V8 7.5L		151R4Y	3738	37384	0.035
1969-68	L6 4.1L		111R4Y	3731	37314	0.035
1969-68	V8 5.7L		151R4Y	3738	37384	0.035
1967	L6 4.1L		111R4Y	3731	37314	0.035
1967	V8 5.4L		151R4Y	3738	37384	0.035
1966	L6 4.1L		111R4Y	3731	37314	0.035
1966	V8 5.4L		151R4Y	3738	37384	0.035
1966	V8 6.6L		151R5Y	3739	37394	0.035
1965	V6 3.7L		151R5Y	3739	37394	0.035
1965	V8 5.4L		151R4Y	3738	37384	0.035
1965	V8 6.6L		151R5Y	3739	37394	0.035
1964	V6 3.7L		151R5Y	3739	37394	0.035
1964	V8 5.4L		151R4Y	3738	37384	0.035
1963-61	V8 3.5L		131R5Y	3735	37354	0.032
<b>Fiesta</b>						
1963-61	V8 5.5L		151R5Y	3739	37394	0.035
1960	V8 6.1L		151R5Y	3739	37394	0.035
1960	V8 6.5L		151R5Y	3739	37394	0.035
1959-57	V8 6.1L		151R5Y	3739	37394	0.035
<b>Firenza</b>						
1988	L4 2.0L	Vin 1	11R4Y	3711	37114	0.047
1988	L4 2.0L	Vin K	111R4Y	3731	37314	0.035
1987	L4 2.0L	Vin 1	11R4Y	3711	37114	0.047
1987	L4 2.0L	Vin K	111R4Y	3731	37314	0.035
1987	V6 2.8L		11R4Y	3711	37114	0.047
1986-85	L4 1.8L		111R4Y	3731	37314	0.035
1986-85	L4 2.0L		61R5Y	3722	37224	0.035
1986-85	V6 2.8L		61R5Y	3722	37224	0.035
1984-83	L4 1.8L		111R4Y	3731	37314	0.035
1984-83	L4 2.0L		61R5Y	3722	37224	0.035
1982	L4 1.8L	CARB	61R5Y	3722	37224	0.035
1982	L4 1.8L	FI	111R4Y	3731	37314	0.035
<b>Intrigue</b>						
2002	V6 3.5L	6 CPBs Req	11R5Y	3713	37134	0.043
1999	V6 3.5L	6 CPBs Req	11R5Y	3713	37134	0.043
1999	V6 3.8L		11R4Y	3711	37114	0.047
1998	V6 3.8L		11R4Y	3711	37114	0.047
<b>Jetfire</b>						
1963	V8 3.5L		131R5Y	3735	37354	0.032
1962	V8 3.5L		131R6Y	3736	37364	0.032
<b>Jetstar 88</b>						
1966	V8 5.4L		151R5Y	3739	37394	0.035
1965	V8 5.4L		151R5Y	3739	37394	0.035
1965	V8 7.0L		151R5Y	3739	37394	0.035
1964	V8 5.4L		151R5Y	3739	37394	0.035
1964	V8 6.5L		151R5Y	3739	37394	0.035
<b>LSS</b>						
1999-98	V6 3.8L	Naturally Aspirated	11R4Y	3711	37114	0.047
1999-98	V6 3.8L	Supercharged	11R4Y	3711	37114	0.047
1997-96	V6 3.8L		11R4Y	3711	37114	0.047
<b>Omega</b>						
1984	L4 2.5L		61R5Y	3722	37224	0.035
1984	V6 2.8L		61R5Y	3722	37224	0.035
1983-80	L4 2.5L		61R4Y	3720	37204	0.035
1983-80	V6 2.8L		61R5Y	3722	37224	0.035
1979-78	V6 3.8L		61R4Y	3720	37204	0.035
1979-78	V8 5.0L		61R4Y	3720	37204	0.035
1979-78	V8 5.7L		61R4Y	3720	37204	0.035
1977	V6 3.8L		61R4Y	3720	37204	0.035
1977	V8 4.3L		151R4Y	3738	37384	0.035
1977	V8 5.0L		61R4Y	3720	37204	0.035
1977	V8 5.7L	Vin L	61R4Y	3720	37204	0.035

Make Model Year	Engine Size	Notes:	Plug Type	MSD PN Single	MSD PN 4-Pack	Pre-Gap Setting**
1977	V8 5.7L	Vin R	151R4Y	3738	37384	0.035
1976	L6 4.1L		61R4Y	3720	37204	0.035
1976	V8 4.3L		151R4Y	3738	37384	0.035
1976	V8 5.7L		151R4Y	3738	37384	0.035
1975	L6 4.1L		61R5Y	3722	37224	0.035
1975	V8 4.3L		151R4Y	3738	37384	0.035
1975	V8 5.7L		61R4Y	3720	37204	0.035
1974-73	L6 4.1L		61R4Y	3720	37204	0.035
1974-73	V8 5.7L		151R4Y	3738	37384	0.035
<b>Regency</b>						
1998-97	V6 3.8L		11R4Y	3711	37114	0.047
<b>Silhouette</b>						
2004-02	V6 3.4L		N/A	N/A	N/A	
2001-96	V6 3.4L		11R4Y	3711	37114	0.047
1995	V6 3.8L		11R4Y	3711	37114	0.047
1994	V6 3.1L		61R5Y	3722	37224	0.035
1994	V6 3.8L		11R4Y	3711	37114	0.047
1993-92	V6 3.1L		61R5Y	3722	37224	0.035
1993-92	V6 3.8L		11R5Y	3713	37134	0.043
1991-90	V6 3.1L		61R5Y	3722	37224	0.035
<b>Starfire</b>						
1980	L4 2.5L		61R4Y	3720	37204	0.035
1980	V6 3.8L		61R4Y	3720	37204	0.035
1979	L4 2.5L		61R4Y	3720	37204	0.035
1979	V6 3.8L		61R4Y	3720	37204	0.035
1979	V8 5.0L		61R4Y	3720	37204	0.035
1978	L4 2.5L		61R5Y	3722	37224	0.035
1978	V6 3.8L		61R4Y	3720	37204	0.035
1978	V8 5.0L		61R4Y	3720	37204	0.035
1977	L4 2.3L		61R5Y	3722	37224	0.035
1977	V6 3.8L		61R4Y	3720	37204	0.035
1977	V8 5.0L		61R4Y	3720	37204	0.035
1976	L4 2.3L		61R5Y	3722	37224	0.035
1976	V6 3.8L		151R4Y	3738	37384	0.035
1975	V6 3.8L		151R4Y	3738	37384	0.035
1966-65	V8 7.0L		151R5Y	3739	37394	0.035
1964-61	V8 6.5L		151R5Y	3739	37394	0.035
1957	V8 6.1L		151R5Y	3739	37394	0.035
<b>Super 88</b>						
1964-61	V8 6.5L		151R5Y	3739	37394	0.035
1960	V8 6.1L		151R5Y	3739	37394	0.035
1960	V8 6.5L		151R5Y	3739	37394	0.035
1959-57	V8 6.1L		151R5Y	3739	37394	0.035
<b>Toronado</b>						
1992-88	V6 3.8L		11R5Y	3713	37134	0.043
1987-86	V6 3.8L		11R5Y	3713	37134	0.043
1985	V8 5.0L		71R4Y	3724	37244	0.040
1984-81	V6 4.1L		61R4Y	3720	37204	0.035
1984-81	V8 5.0L		151R4Y	3738	37384	0.035
1980	V8 5.0L		151R4Y	3738	37384	0.035
1980	V8 5.7L	GAS	151R4Y	3738	37384	0.035
1979	V8 5.7L	GAS	151R4Y	3738	37384	0.035
1978	V8 6.6L		151R4Y	3738	37384	0.035
1977	V8 5.7L		151R4Y	3738	37384	0.035
1977	V8 6.6L		151R4Y	3738	37384	0.035
1976-75	V8 7.5L		151R4Y	3738	37384	0.035
1974-73	V8 7.5L	HEI	151R4Y	3738	37384	0.035
1974-73	V8 7.5L	W/O HEI	151R4Y	3738	37384	0.035
1972-71	V8 7.5L		151R4Y	3738	37384	0.035
1970-68	V8 7.5L		151R4Y	3738	37384	0.035
1967-66	V8 7.0L		151R5Y	3739	37394	0.035
<b>Vista Cruiser</b>						
1975	V8 5.7L		151R4Y	3738	37384	0.035
1975	V8 7.5L		151R4Y	3738	37384	0.035
1974-71	V8 5.7L		151R4Y	3738	37384	0.035
1974-71	V8 7.5L		151R4Y	3738	37384	0.035
1970	V8 5.7L		151R4Y	3738	37384	0.035
1970	V8 7.5L		151R4Y	3738	37384	0.035
1969-68	V8 5.7L		151R4Y	3738	37384	0.035

**134** \* Short Style 6 Series - PN 3741 (single), PN 37414 (4pk) - Pre-gapped 0.035  
 \* Short Style 7 Series - PN 3742 (single), PN 37424 (4pk) - Pre-gapped 0.035

CPB's = Coil Plug Boots  
 \*\* Pre-gapped for optimal performance.



Make Model Year	Engine Size	Notes:	Plug Type	MSD PN Single	MSD PN 4-Pack	Pre-Gap Setting**
1969-68	V8 6.6L		151R5Y	3739	37394	0.035
1967-66	V8 5.4L		151R5Y	3739	37394	0.035
1965-64	V6 3.7L		151R5Y	3739	37394	0.035
1965-64	V8 5.4L		151R5Y	3739	37394	0.035

## Opel

### 1900

1975-71	L4 1.9L		131R6Y	3736	37364	0.032
---------	---------	--	--------	------	-------	-------

### Deluxe

1971	L4 1.1L		131R6Y	3736	37364	0.032
------	---------	--	--------	------	-------	-------

### Kadett

1972-67	L4 1.1L		131R6Y	3736	37364	0.032
---------	---------	--	--------	------	-------	-------

### Manta

1975-71	L4 1.9L		131R6Y	3736	37364	0.032
---------	---------	--	--------	------	-------	-------

### Opel

1973-71	L4 1.9L		131R6Y	3736	37364	0.032
---------	---------	--	--------	------	-------	-------

1970-69	L4 1.1L		131R6Y	3736	37364	0.032
---------	---------	--	--------	------	-------	-------

### Rallye

1970-68	L4 1.1L		131R6Y	3736	37364	0.032
---------	---------	--	--------	------	-------	-------

## Panoz

### AIV Roadster

2000-99	V8 4.6L		11R5Y	3713	37134	0.043
---------	---------	--	-------	------	-------	-------

### Esperante

2005	V8 4.6L	Naturally Aspirated	11R5Y	3713	37134	0.043
------	---------	---------------------	-------	------	-------	-------

2005	V8 4.6L	Supercharged	11R5Y	3713	37134	0.043
------	---------	--------------	-------	------	-------	-------

2004-01	V8 4.6L		11R5Y	3713	37134	0.043
---------	---------	--	-------	------	-------	-------

## Peugeot

### 304

1972-71	L4 1.3L		N/A	N/A	N/A	
---------	---------	--	-----	-----	-----	--

### 404

1970	L4 1.6L		N/A	N/A	N/A	
------	---------	--	-----	-----	-----	--

1970	L4 1.8L		N/A	N/A	N/A	
------	---------	--	-----	-----	-----	--

1969-61	L4 1.6L		N/A	N/A	N/A	
---------	---------	--	-----	-----	-----	--

### 405

1991	L4 1.9L	Vin A, 8V	71R5Y	3725	37254	0.040
------	---------	-----------	-------	------	-------	-------

1991	L4 1.9L	Vin A, DOHC	N/A	N/A	N/A	
------	---------	-------------	-----	-----	-----	--

1991	L4 1.9L	Vin B, 16V	71R6Y *	3727	37274	0.043
------	---------	------------	---------	------	-------	-------

1991	L4 1.9L	Vin C, 8V	71R5Y	3725	37254	0.040
------	---------	-----------	-------	------	-------	-------

1991	L4 1.9L	Vin C, DOHC	N/A	N/A	N/A	
------	---------	-------------	-----	-----	-----	--

1991	L4 1.9L	Vin D, 16V	71R6Y *	3727	37274	0.043
------	---------	------------	---------	------	-------	-------

1990	L4 1.9L	Vin A	71R5Y	3725	37254	0.040
------	---------	-------	-------	------	-------	-------

1990	L4 1.9L	Vin B	71R6Y *	3727	37274	0.043
------	---------	-------	---------	------	-------	-------

1990	L4 1.9L	Vin C	71R5Y	3725	37254	0.040
------	---------	-------	-------	------	-------	-------

1990	L4 1.9L	Vin D	71R6Y *	3727	37274	0.043
------	---------	-------	---------	------	-------	-------

1989	L4 1.9L	Vin 1	71R5Y	3725	37254	0.040
------	---------	-------	-------	------	-------	-------

1989	L4 1.9L	Vin 2	71R6Y *	3727	37274	0.043
------	---------	-------	---------	------	-------	-------

### 504

1983-82	L4 2.3L		N/A	N/A	N/A	
---------	---------	--	-----	-----	-----	--

1981	L4 2.3L	From 5/81	N/A	N/A	N/A	
------	---------	-----------	-----	-----	-----	--

1981	L4 2.3L	To 5/81	N/A	N/A	N/A	
------	---------	---------	-----	-----	-----	--

1980	L4 2.3L		N/A	N/A	N/A	
------	---------	--	-----	-----	-----	--

1979	L4 2.0L		N/A	N/A	N/A	
------	---------	--	-----	-----	-----	--

1979	L4 2.3L		N/A	N/A	N/A	
------	---------	--	-----	-----	-----	--

1978	L4 2.0L		N/A	N/A	N/A	
------	---------	--	-----	-----	-----	--

1978	L4 2.3L	From 6/78	N/A	N/A	N/A	
------	---------	-----------	-----	-----	-----	--

1978	L4 2.3L	To 6/78	N/A	N/A	N/A	
------	---------	---------	-----	-----	-----	--

1977	L4 2.0L		N/A	N/A	N/A	
------	---------	--	-----	-----	-----	--

1977	L4 2.3L		N/A	N/A	N/A	
------	---------	--	-----	-----	-----	--

1976-74	L4 2.0L		N/A	N/A	N/A	
---------	---------	--	-----	-----	-----	--

1976-74	L4 2.1L		N/A	N/A	N/A	
---------	---------	--	-----	-----	-----	--

1973-71	L4 2.0L		N/A	N/A	N/A	
---------	---------	--	-----	-----	-----	--

1970	L4 1.8L		N/A	N/A	N/A	
------	---------	--	-----	-----	-----	--

CPB's = Coil Plug Boots

\*\* Pre-gapped for optimal performance.

Make Model Year	Engine Size	Notes:	Plug Type	MSD PN Single	MSD PN 4-Pack	Pre-Gap Setting**
-----------------	-------------	--------	-----------	---------------	---------------	-------------------

### 505

1991-90	L4 2.2L	Naturally Aspirated	11R5Y	3713	37134	0.043
---------	---------	---------------------	-------	------	-------	-------

1991-90	L4 2.2L	Turbo	N/A	N/A	N/A	
---------	---------	-------	-----	-----	-----	--

1989	L4 2.2L	Naturally Aspirated	11R5Y	3713	37134	0.043
------	---------	---------------------	-------	------	-------	-------

1989	L4 2.2L	Turbo	N/A	N/A	N/A	
------	---------	-------	-----	-----	-----	--

1989	V6 2.8L		11R5Y	3713	37134	0.043
------	---------	--	-------	------	-------	-------

1988	L4 2.2L	Naturally Aspirated	11R5Y	3713	37134	0.043
------	---------	---------------------	-------	------	-------	-------

1988	L4 2.2L	Turbo	N/A	N/A	N/A	
------	---------	-------	-----	-----	-----	--

1988	L4 2.5L		N/A	N/A	N/A	
------	---------	--	-----	-----	-----	--

1988	V6 2.8L		11R5Y	3713	37134	0.043
------	---------	--	-------	------	-------	-------

1987	L4 2.0L		N/A	N/A	N/A	
------	---------	--	-----	-----	-----	--

1987	L4 2.2L	Naturally Aspirated	11R5Y	3713	37134	0.043
------	---------	---------------------	-------	------	-------	-------

1987	L4 2.2L	Turbo	N/A	N/A	N/A	
------	---------	-------	-----	-----	-----	--

1987	L4 2.5L		N/A	N/A	N/A	
------	---------	--	-----	-----	-----	--

1987	V6 2.8L		11R5Y	3713	37134	0.043
------	---------	--	-------	------	-------	-------

1986	L4 2.0L		N/A	N/A	N/A	
------	---------	--	-----	-----	-----	--

1986	L4 2.2L		N/A	N/A	N/A	
------	---------	--	-----	-----	-----	--

1986	L4 2.3L		N/A	N/A	N/A	
------	---------	--	-----	-----	-----	--

1986	L4 2.5L		N/A	N/A	N/A	
------	---------	--	-----	-----	-----	--

1985	L4 2.0L		N/A	N/A	N/A	
------	---------	--	-----	-----	-----	--

1985	L4 2.2L		N/A	N/A	N/A	
------	---------	--	-----	-----	-----	--

1985	L4 2.3L		N/A	N/A	N/A	
------	---------	--	-----	-----	-----	--

1985	L4 2.5L		N/A	N/A	N/A	
------	---------	--	-----	-----	-----	--

1984	L4 2.0L		N/A	N/A	N/A	
------	---------	--	-----	-----	-----	--

1984	L4 2.3L		N/A	N/A	N/A	
------	---------	--	-----	-----	-----	--

1983-82	L4 2.0L		N/A	N/A	N/A	
---------	---------	--	-----	-----	-----	--

1983-82	L4 2.3L		N/A	N/A	N/A	
---------	---------	--	-----	-----	-----	--

1981-80	L4 2.0L		N/A	N/A	N/A	
---------	---------	--	-----	-----	-----	--

1981-80	L4 2.3L		N/A	N/A	N/A	
---------	---------	--	-----	-----	-----	--

1984-82	L4 2.3L		N/A	N/A	N/A	
---------	---------	--	-----	-----	-----	--

1981-79	V6 2.8L		11R5Y	3713	37134	0.043
---------	---------	--	-------	------	-------	-------

1978-77	L6 2.7L		11R5Y	3713	37134	0.043
---------	---------	--	-------	------	-------	-------

## Plymouth

### Acclaim

1995-89	L4 2.5L		11R4Y	3731	37314	0.035
---------	---------	--	-------	------	-------	-------

1995-89	V6 3.0L		11R5Y	3733	37334	0.035
---------	---------	--	-------	------	-------	-------

### Arrow

1980	L4 1.6L		N/A	N/A	N/A	
------	---------	--	-----	-----	-----	--

1980	L4 2.6L		11R5Y	3733	37334	0.035
------	---------	--	-------	------	-------	-------

1979	L4 1.6L		N/A	N/A	N/A	
------	---------	--	-----	-----	-----	--

1979	L4 2.6L		11R5Y	3733	37334	0.035
------	---------	--	-------	------	-------	-------

1978	L4 1.6L		N/A	N/A	N/A	
------	---------	--	-----	-----	-----	--

1978	L4 2.0L		N/A	N/A	N/A	
------	---------	--	-----	-----	-----	--

1977-76	L4 1.6L		N/A	N/A	N/A	
---------	---------	--	-----	-----	-----	--

1977-76	L4 2.0L		N/A	N/A	N/A	
---------	---------	--	-----	-----	-----	--

### Arrow Pickup

1982-79	L4 2.0L		N/A	N/A	N/A	
---------	---------	--	-----	-----	-----	--

1982-79	L4 2.6L		11R5Y	3733	37334	0.035
---------	---------	--	-------	------	-------	-------

### Barracuda

1974	V8 5.2L		11R4Y	3731	37314	0.035
------	---------	--	-------	------	-------	-------

1974	V8 5.9L		11R4Y	3731	37314	0.035
------	---------	--	-------	------	-------	-------

1973	V8 5.2L		11R4Y	3731	37314	0.035
------	---------	--	-------	------	-------	-------

1973	V8 5.6L		11R4Y	3731	37314	0.035
------	---------	--	-------	------	-------	-------

1972	L6 3.7L		11R4Y	3731	37314	0.035
------	---------	--	-------	------	-------	-------

1972	V8 5.2L		11R
------	---------	--	-----



**Plymouth Barracuda continued**

Make Model Year	Engine Size	Notes:	Plug Type	MSD PN Single	MSD PN 4-Pack	Pre-Gap Setting**
1969-68	V8 6.3L		151R5Y	3739	37394	0.035
1967	L6 3.7L		111R4Y	3731	37314	0.035
1967	V8 4.5L		111R4Y	3731	37314	0.035
1967	V8 6.3L		151R5Y	3739	37394	0.035
1966	L6 2.8L		111R4Y	3731	37314	0.035
1966	L6 3.7L		111R4Y	3731	37314	0.035
1966	V8 4.5L		111R4Y	3731	37314	0.035
1965	L6 3.7L		111R4Y	3731	37314	0.035
1965	V8 4.5L		111R4Y	3731	37314	0.035
1964	V8 4.5L		111R4Y	3731	37314	0.035
1964	V8 5.9L		151R4Y	3738	37384	0.035
<b>Belvedere</b>						
1970	L6 3.7L	Vin C	111R4Y	3731	37314	0.035
1970	V8 5.2L		111R4Y	3731	37314	0.035
1970	V8 6.3L		151R5Y	3739	37394	0.035
1969	L6 3.7L		111R4Y	3731	37314	0.035
1969	V8 5.2L		111R4Y	3731	37314	0.035
1969	V8 6.3L		151R5Y	3739	37394	0.035
1968	L6 3.7L		111R4Y	3731	37314	0.035
1968	V8 4.5L		111R4Y	3731	37314	0.035
1968	V8 5.2L		111R4Y	3731	37314	0.035
1968	V8 6.3L		151R5Y	3739	37394	0.035
1967	L6 3.7L		111R4Y	3731	37314	0.035
1967	V8 4.5L		111R4Y	3731	37314	0.035
1967	V8 5.2L	3/4" Reach	111R4Y	3731	37314	0.035
1967	V8 5.2L	3/8" Reach	151R5Y	3739	37394	0.035
1967	V8 6.3L		151R5Y	3739	37394	0.035
1967	V8 7.0L		111R4Y	3731	37314	0.035
1967	V8 7.2L		151R5Y	3739	37394	0.035
1966	L6 3.7L		111R4Y	3731	37314	0.035
1966	V8 4.5L		111R4Y	3731	37314	0.035
1966	V8 5.2L		151R4Y	3738	37384	0.035
1966	V8 6.3L		151R4Y	3738	37384	0.035
1966	V8 7.0L		111R5Y	3733	37334	0.035
1966	V8 7.2L		151R4Y	3738	37384	0.035
1965-64	L6 3.7L		111R4Y	3731	37314	0.035
1965-64	V8 4.5L		111R4Y	3731	37314	0.035
1965-64	V8 5.2L		151R4Y	3738	37384	0.035
1965-64	V8 5.9L		151R4Y	3738	37384	0.035
1965-64	V8 6.3L		151R4Y	3738	37384	0.035
1965-64	V8 7.0L		151R5Y	3739	37394	0.035
1963	L6 3.7L		111R4Y	3731	37314	0.035
1963	V8 5.2L		151R4Y	3738	37384	0.035
1963	V8 5.9L		151R4Y	3738	37384	0.035
1963	V8 6.3L		151R4Y	3738	37384	0.035
1963	V8 7.0L		151R5Y	3739	37394	0.035
1962-61	V8 5.2L		151R4Y	3738	37384	0.035
1962-61	V8 5.9L		151R4Y	3738	37384	0.035
1962-61	V8 6.3L		151R4Y	3738	37384	0.035
1960	V8 5.2L		151R4Y	3738	37384	0.035
1960	V8 5.9L		151R4Y	3738	37384	0.035
1960	V8 6.3L		151R5Y	3739	37394	0.035
1959	L6 3.8L		151R6	3740	37404	0.032
1959	V8 5.2L		151R4Y	3738	37384	0.035
1959	V8 5.9L		151R4Y	3738	37384	0.035
1958	L6 3.8L		151R6	3740	37404	0.032
1958	V8 5.2L		151R4Y	3738	37384	0.035
1958	V8 5.7L		151R4Y	3738	37384	0.035
1957	L6 3.8L		151R6	3740	37404	0.032
1957	V8 4.5L		151R4Y	3738	37384	0.035
1957	V8 4.9L		151R4Y	3738	37384	0.035
1956	V8 4.4L		151R4Y	3738	37384	0.035
1956	V8 4.5L		151R4Y	3738	37384	0.035
1955	V8 3.9L		151R4Y	3738	37384	0.035
1955	V8 4.2L		151R4Y	3738	37384	0.035
1955	V8 4.3L		151R4Y	3738	37384	0.035
<b>Breeze</b>						
2000-96	L4 2.0L		71R6Y *	3727	37274	0.043
2000-96	L4 2.4L		71R4Y	3724	37244	0.040

Make Model Year	Engine Size	Notes:	Plug Type	MSD PN Single	MSD PN 4-Pack	Pre-Gap Setting**
<b>Caravelle</b>						
1989	V8 5.2L		111R4Y	3731	37314	0.035
1988-86	L4 2.2L		111R4Y	3731	37314	0.035
1988-86	L4 2.5L		111R4Y	3731	37314	0.035
1988-86	V8 5.2L		111R4Y	3731	37314	0.035
1985-84	L4 2.2L		111R4Y	3731	37314	0.035
1985-84	L4 2.6L		111R5Y	3733	37334	0.035
1985-84	V8 5.2L		111R4Y	3731	37314	0.035
1983	L4 2.2L		111R4Y	3731	37314	0.035
1983	L4 2.6L	Vin 7	111R5Y	3733	37334	0.035
1983	L4 2.6L	Vin G	111R5Y	3733	37334	0.035
1983	L6 3.7L		61R4Y	3720	37204	0.035
1983	V8 5.2L		111R4Y	3731	37314	0.035
1982-80	L6 3.7L		61R4Y	3720	37204	0.035
1982-80	V8 5.2L		111R4Y	3731	37314	0.035
1979-78	L6 3.7L		61R4Y	3720	37204	0.035
1979-78	V8 5.2L		111R4Y	3731	37314	0.035
1979-78	V8 5.9L		111R4Y	3731	37314	0.035
<b>Champ</b>						
1982-79	L4 1.4L		N/A	N/A	N/A	
1982-79	L4 1.6L		N/A	N/A	N/A	
<b>Colt</b>						
1995	L4 1.5L		N/A	N/A	N/A	
1994-93	L4 1.5L		N/A	N/A	N/A	
1994-93	L4 1.8L		71R5Y	3725	37254	0.040
1994-93	L4 2.4L		71R6Y *	3727	37274	0.043
1992	L4 1.5L		N/A	N/A	N/A	
1992	L4 1.8L		71R6Y *	3727	37274	0.043
1992	L4 2.4L		111R5Y	3733	37334	0.035
1991	L4 1.5L	Vin A	N/A	N/A	N/A	
1991	L4 1.5L	Vin K	111R5Y	3733	37334	0.035
1991	L4 2.0L		N/A	N/A	N/A	
1990	L4 1.5L	CARB	N/A	N/A	N/A	
1990	L4 1.5L	FI	N/A	N/A	N/A	
1990	L4 1.6L		N/A	N/A	N/A	
1990	L4 1.8L		N/A	N/A	N/A	
1990	L4 2.0L		N/A	N/A	N/A	
1989	L4 1.5L	CARB	N/A	N/A	N/A	
1989	L4 1.5L	FI	N/A	N/A	N/A	
1989	L4 1.6L	Vin F	N/A	N/A	N/A	
1989	L4 1.6L	Vin Y	N/A	N/A	N/A	
1989	L4 1.6L	Vin Z	N/A	N/A	N/A	
1989	L4 1.8L		N/A	N/A	N/A	
1989	L4 2.0L		N/A	N/A	N/A	
1988	L4 1.5L	CARB	N/A	N/A	N/A	
1988	L4 1.5L	FI	N/A	N/A	N/A	
1988	L4 1.6L		N/A	N/A	N/A	
1988	L4 2.0L		N/A	N/A	N/A	
1987	L4 1.5L		N/A	N/A	N/A	
1987	L4 1.6L		N/A	N/A	N/A	
1987	L4 2.0L	From 11/1/86	N/A	N/A	N/A	
1986-85	L4 1.5L		N/A	N/A	N/A	
1986-85	L4 1.6L		N/A	N/A	N/A	
1986-85	L4 2.0L		N/A	N/A	N/A	
1984	L4 1.4L		N/A	N/A	N/A	
1984	L4 1.6L	Naturally Aspirated	N/A	N/A	N/A	
1984	L4 1.6L	Turbo	N/A	N/A	N/A	
1984	L4 2.0L		N/A	N/A	N/A	
1983-81	L4 1.4L		N/A	N/A	N/A	
1983-81	L4 1.6L		N/A	N/A	N/A	
1980	L4 1.4L		N/A	N/A	N/A	
1980	L4 1.6L		N/A	N/A	N/A	
1980	L4 2.6L		111R5Y	3733	37334	0.035
1979	L4 1.4L		N/A	N/A	N/A	
1979	L4 1.6L		N/A	N/A	N/A	
1979	L4 2.6L		111R5Y	3733	37334	0.035
1978	L4 1.6L		N/A	N/A	N/A	
1978	L4 2.0L		N/A	N/A	N/A	





Make Model Year	Engine Size	Notes:	Plug Type	MSD PN Single	MSD PN 4-Pack	Pre-Gap Setting**
1978	L4 2.6L		11R5Y	3733	37334	0.035
1977-76	L4 1.6L		N/A	N/A	N/A	
1977-76	L4 2.0L		N/A	N/A	N/A	
<b>Conquest</b>						
1986	L4 2.6L		N/A	N/A	N/A	
1985	L4 2.6L	Vin H	N/A	N/A	N/A	
1984	L4 2.6L		N/A	N/A	N/A	
<b>Cricket</b>						
1973-72	L4 1.5L	Vin G	N/A	N/A	N/A	
1973-72	L4 1.5L	Vin L	N/A	N/A	N/A	
1971	L4 1.5L		N/A	N/A	N/A	
<b>Cuda</b>						
1974	V8 5.2L		11R4Y	3731	37314	0.035
1974	V8 5.9L		11R4Y	3731	37314	0.035
1973-72	V8 5.2L		11R4Y	3731	37314	0.035
1973-72	V8 5.6L		11R4Y	3731	37314	0.035
1971	V8 5.6L		11R4Y	3731	37314	0.035
1971	V8 6.3L		15R5Y	3739	37394	0.035
1971	V6 7.0L		11R5Y	3733	37334	0.035
1971	V8 7.2L		15R5Y	3739	37394	0.035
1970	V8 5.6L		11R5Y	3733	37334	0.035
1970	V8 6.3L		15R5Y	3739	37394	0.035
1970	V8 7.0L		11R5Y	3733	37334	0.035
1970	V8 7.2L		15R5Y	3739	37394	0.035
<b>Custom</b>						
1961-60	V8 5.9L		15R4Y	3738	37384	0.035
1961-60	V8 6.3L		15R4Y	3738	37384	0.035
1958	V8 5.2L	3/4" Reach	11R4Y	3731	37314	0.035
1958	V8 5.2L	3/8" Reach	15R4Y	3738	37384	0.035
1958	V8 5.7L	3/4" Reach	11R4Y	3731	37314	0.035
1958	V8 5.7L	3/8" Reach	15R4Y	3738	37384	0.035
<b>Deluxe</b>						
1950-49	L6 3.6L		15R6	3740	37404	0.032
<b>Duster</b>						
1976-75	L6 3.7L		6R4Y	3720	37204	0.035
1976-75	V8 5.2L		11R4Y	3731	37314	0.035
1976-75	V8 5.9L		11R4Y	3731	37314	0.035
1974	L6 3.2L		11R4Y	3731	37314	0.035
1974	L6 3.7L		6R4Y	3720	37204	0.035
1974	V8 5.2L		11R4Y	3731	37314	0.035
1974	V8 5.9L		11R4Y	3731	37314	0.035
1973-72	L6 3.2L		11R4Y	3731	37314	0.035
1973-72	L6 3.7L		11R4Y	3731	37314	0.035
1973-72	V8 5.2L		11R4Y	3731	37314	0.035
1973-72	V8 5.6L		11R4Y	3731	37314	0.035
1971-70	L6 3.2L		11R4Y	3731	37314	0.035
1971-70	L6 3.7L	Vin C	11R4Y	3731	37314	0.035
1971-70	V8 5.2L		11R4Y	3731	37314	0.035
1971-70	V8 5.6L		11R4Y	3731	37314	0.035
<b>Expo</b>						
1989-87	L4 2.2L		11R4Y	3731	37314	0.035
<b>Fleet Special</b>						
1963	L6 3.7L		11R4Y	3731	37314	0.035
1963	V8 5.2L		15R4Y	3738	37384	0.035
1963	V8 5.9L		15R4Y	3738	37384	0.035
1963	V8 6.3L		15R4Y	3738	37384	0.035
1963	V8 7.0L		15R4Y	3738	37384	0.035
1962-60	L6 3.7L		11R4Y	3731	37314	0.035
1962-60	V8 5.2L		15R4Y	3738	37384	0.035
1962-60	V8 5.9L		15R4Y	3738	37384	0.035
1962-60	V8 6.3L		15R4Y	3738	37384	0.035
<b>Fury</b>						
1978-77	L6 3.7L		6R4Y	3720	37204	0.035
1978-77	V8 5.2L		11R4Y	3731	37314	0.035
1978-77	V8 5.9L		11R4Y	3731	37314	0.035
1978-77	V8 6.6L		15R5Y	3739	37394	0.035
1978-77	V8 7.2L		15R5Y	3739	37394	0.035
1976	L6 3.7L		6R4Y	3720	37204	0.035
1976	V8 5.2L		11R4Y	3731	37314	0.035

Make Model Year	Engine Size	Notes:	Plug Type	MSD PN Single	MSD PN 4-Pack	Pre-Gap Setting**
1976	V8 5.9L		11R4Y	3731	37314	0.035
1976	V8 6.6L		15R5Y	3739	37394	0.035
1975	L6 3.7L		6R4Y	3720	37204	0.035
1975	V8 5.2L		11R4Y	3731	37314	0.035
1975	V8 5.9L		11R4Y	3731	37314	0.035
1975	V8 6.6L		15R5Y	3739	37394	0.035
1975	V8 7.2L		15R5Y	3739	37394	0.035
1974	V8 5.9L		11R4Y	3731	37314	0.035
1974	V8 6.6L		15R5Y	3739	37394	0.035
1974	V8 7.2L		15R5Y	3739	37394	0.035
1973-72	V8 5.2L		11R4Y	3731	37314	0.035
1973-72	V8 5.9L		11R4Y	3731	37314	0.035
1973-72	V8 6.6L		15R5Y	3739	37394	0.035
1973-72	V8 7.2L	Vin T	15R5Y	3739	37394	0.035
1971	V8 5.2L		11R4Y	3731	37314	0.035
1971	V8 5.9L		11R4Y	3731	37314	0.035
1971	V8 6.3L		15R5Y	3739	37394	0.035
1971	V8 7.2L		15R5Y	3739	37394	0.035
1970	L6 3.7L		11R4Y	3731	37314	0.035
1970	V8 5.2L		11R4Y	3731	37314	0.035
1970	V8 6.3L		15R5Y	3739	37394	0.035
1970	V6 7.2L		15R5Y	3739	37394	0.035
1969	V8 5.2L		11R4Y	3731	37314	0.035
1969	V8 6.3L		15R5Y	3739	37394	0.035
1969	V8 7.2L		15R5Y	3739	37394	0.035
1968	L6 3.7L		11R4Y	3731	37314	0.035
1968	V8 5.2L		11R4Y	3731	37314	0.035
1968	V8 6.3L		15R5Y	3739	37394	0.035
1968	V8 7.2L		15R5Y	3739	37394	0.035
1967	V8 5.2L		15R5Y	3739	37394	0.035
1967	V8 6.3L		15R5Y	3739	37394	0.035
1967	V8 7.2L		15R5Y	3739	37394	0.035
1966	V8 5.9L		15R4Y	3738	37384	0.035
1966	V8 6.3L		15R4Y	3738	37384	0.035
1966	V8 7.0L		11R5Y	3733	37334	0.035
1965	V8 4.5L		11R4Y	3731	37314	0.035
1965	V8 5.9L		15R4Y	3738	37384	0.035
1965	V8 6.3L		15R4Y	3738	37384	0.035
1965	V8 7.0L		11R5Y	3733	37334	0.035
1964	V8 4.5L		11R5Y	3733	37334	0.035
1964	V8 5.9L		15R4Y	3738	37384	0.035
1964	V8 6.3L		15R4Y	3738	37384	0.035
1964	V8 7.0L		11R5Y	3733	37334	0.035
1963	V8 5.9L		15R4Y	3738	37384	0.035
1963	V8 6.3L		15R4Y	3738	37384	0.035
1963	V8 7.0L		11R5Y	3733	37334	0.035
1962	V8 5.9L		15R4Y	3738	37384	0.035
1962	V8 6.3L		15R4Y	3738	37384	0.035
1961	V8 5.2L		15R4Y	3738	37384	0.035
1961	V8 5.9L		15R4Y	3738	37384	0.035
1961	V8 6.3L		15R4Y	3738	37384	0.035
1960	V8 5.2L		15R4Y	3738	37384	0.035
1960	V8 5.9L		15R4Y	3738	37384	0.035
1960	V8 6.3L		15R5Y	3739	37394	0.035
1959	L6 3.8L		15R6	3740	37404	0.032
1958	L6 3.8L		15R6	3740	37404	0.032
1958	V8 5.7L	CARB	15R4Y	3738	37384	0.035
1957	L6 3.8L		15R6	3740	37404	0.032
1957	V8 4.9L		15R4Y	3738	37384	0.035
1956	V8 4.4L		15R4Y	3738	37384	0.035
1956	V8 4.5L		15R4Y	3738	37384	0.035
<b>Fury I</b>						
1974	V8 5.9L		11R4Y	3731	37314	0.035
1974	V8 6.6L		15R5Y	3739	37394	0.035
1973	L6 3.7L		11R4Y	3731	37314	0.035
1973	V8 5.2L		11R4Y	3731	37314	0.035
1973	V8 5.9L		11R4Y	3731	37314	0.035
1973	V8 6.6L		15R5Y	3739	37394	0.035
1973	V8 7.2L	Vin T	15R5Y	3739	37394	0.035
1972	L6 3.7L	Vin C	11R4Y	3731	37314	0.035
1972	V8 5.2L		11R4Y	3731	37314	0.035

CPB's = Coil Plug Boots

\*\* Pre-gapped for optimal performance.

\* Short Style 6 Series - PN 3741 (single), PN 37414 (4pk) - Pre-gapped 0.035

\* Short Style 7 Series - PN 3742 (single), PN 37424 (4pk) - Pre-gapped 0.035



**Plymouth Fury I continued**

Make Model Year	Engine Size	Notes:	Plug Type	MSD PN Single	MSD PN 4-Pack	Pre-Gap Setting**
1972	V8 5.9L		11IR4Y	3731	37314	0.035
1972	V8 6.6L		15IR5Y	3739	37394	0.035
1972	V8 7.2L	Vin T	15IR5Y	3739	37394	0.035
1972	V8 7.2L	Vin V	15IR5Y	3739	37394	0.035
1971	L6 3.7L	Vin C	11IR4Y	3731	37314	0.035
1971	V8 5.2L		11IR4Y	3731	37314	0.035
1971	V8 5.9L		11IR4Y	3731	37314	0.035
1971	V8 6.3L		15IR5Y	3739	37394	0.035
1971	V8 7.2L		15IR5Y	3739	37394	0.035
1970	L6 3.7L	Vin C	11IR4Y	3731	37314	0.035
1970	V8 5.2L		11IR4Y	3731	37314	0.035
1970	V8 6.3L		15IR5Y	3739	37394	0.035
1970	V8 7.2L		15IR5Y	3739	37394	0.035
1969	L6 3.7L	Vin B	11IR4Y	3731	37314	0.035
1969	V8 5.2L		11IR4Y	3731	37314	0.035
1969	V8 6.3L		15IR5Y	3739	37394	0.035
1969	V8 7.2L		15IR5Y	3739	37394	0.035
1968	L6 3.7L		11IR4Y	3731	37314	0.035
1968	V8 5.2L		11IR4Y	3731	37314	0.035
1968	V8 6.3L		15IR5Y	3739	37394	0.035
1968	V8 7.2L		15IR5Y	3739	37394	0.035

**Fury II**

1974	V8 5.9L		11IR4Y	3731	37314	0.035
1974	V8 6.6L		15IR5Y	3739	37394	0.035
1974	V8 7.2L		15IR5Y	3739	37394	0.035
1973-72	V8 5.2L		11IR4Y	3731	37314	0.035
1973-72	V8 5.9L		11IR4Y	3731	37314	0.035
1973-72	V8 6.6L		15IR5Y	3739	37394	0.035
1973-72	V8 7.2L	Vin T	15IR5Y	3739	37394	0.035
1971	L6 3.7L	Vin C	11IR4Y	3731	37314	0.035
1971	V8 5.2L		11IR4Y	3731	37314	0.035
1971	V8 5.9L		11IR4Y	3731	37314	0.035
1971	V8 6.3L		15IR5Y	3739	37394	0.035
1971	V8 7.2L		15IR5Y	3739	37394	0.035
1970	L6 3.7L	Vin C	11IR4Y	3731	37314	0.035
1970	V8 5.2L		11IR4Y	3731	37314	0.035
1970	V8 6.3L		15IR5Y	3739	37394	0.035
1970	V8 7.2L		15IR5Y	3739	37394	0.035
1969	L6 3.7L	Vin B	11IR4Y	3731	37314	0.035
1969	V8 5.2L		11IR4Y	3731	37314	0.035
1969	V8 6.3L		15IR5Y	3739	37394	0.035
1969	V8 7.2L		15IR5Y	3739	37394	0.035
1968	L6 3.7L		11IR4Y	3731	37314	0.035
1968	V8 5.2L		11IR4Y	3731	37314	0.035
1968	V8 6.3L		15IR5Y	3739	37394	0.035
1968	V8 7.2L		15IR5Y	3739	37394	0.035

**Fury III**

1974	V8 5.9L		11IR4Y	3731	37314	0.035
1974	V8 6.6L		15IR5Y	3739	37394	0.035
1974	V8 7.2L		15IR5Y	3739	37394	0.035
1973-72	V8 5.2L		11IR4Y	3731	37314	0.035
1973-72	V8 5.9L		11IR4Y	3731	37314	0.035
1973-72	V8 6.6L		15IR5Y	3739	37394	0.035
1973-72	V8 7.2L	Vin T	15IR5Y	3739	37394	0.035
1971	L6 3.7L	Vin C	11IR4Y	3731	37314	0.035
1971	V8 5.2L		11IR4Y	3731	37314	0.035
1971	V8 5.9L		11IR4Y	3731	37314	0.035
1971	V8 6.3L		15IR5Y	3739	37394	0.035
1971	V8 7.2L		15IR5Y	3739	37394	0.035
1970	L6 3.7L	Vin C	11IR4Y	3731	37314	0.035
1970	V8 5.2L		11IR4Y	3731	37314	0.035
1970	V8 6.3L		15IR5Y	3739	37394	0.035
1970	V8 7.2L		15IR5Y	3739	37394	0.035
1969	L6 3.7L	Vin B	11IR4Y	3731	37314	0.035
1969	V8 5.2L		11IR4Y	3731	37314	0.035
1969	V8 6.3L		15IR5Y	3739	37394	0.035
1969	V8 7.2L		15IR5Y	3739	37394	0.035
1968	L6 3.7L		11IR4Y	3731	37314	0.035
1968	V8 5.2L		11IR4Y	3731	37314	0.035
1968	V8 6.3L		15IR5Y	3739	37394	0.035
1968	V8 7.2L		15IR5Y	3739	37394	0.035

Make Model Year	Engine Size	Notes:	Plug Type	MSD PN Single	MSD PN 4-Pack	Pre-Gap Setting**
<b>Grand Voyager</b>						
2000	V6 3.0L		11IR5Y	3733	37334	0.035
2000	V6 3.3L		11IR4Y	3731	37314	0.035
1999-98	V6 3.0L		11IR5Y	3733	37334	0.035
1999-98	V6 3.3L		11IR4Y	3731	37314	0.035
1999-98	V6 3.8L		11IR5Y	3733	37334	0.035
1997	L4 2.4L		7IR4Y	3724	37244	0.040
1997	V6 3.0L		11IR5Y	3733	37334	0.035
1997	V6 3.3L		11IR4Y	3731	37314	0.035
1997	V6 3.8L		11IR5Y	3733	37334	0.035
1996	L4 2.4L		7IR4Y	3724	37244	0.040
1996	V6 3.0L		11IR5Y	3733	37334	0.035
1996	V6 3.3L		11IR4Y	3731	37314	0.035
1996	V6 3.8L		11IR5Y	3733	37334	0.035
1995	V6 3.0L		11IR5Y	3733	37334	0.035
1995	V6 3.3L		11IR4Y	3731	37314	0.035
1995	V6 3.8L		11IR5Y	3733	37334	0.035
1994	V6 3.0L		11IR5Y	3733	37334	0.035
1994	V6 3.3L		11IR4Y	3731	37314	0.035
1994	V6 3.8L		11IR4Y	3731	37314	0.035
1993-92	V6 3.0L		11IR5Y	3733	37334	0.035
1993-92	V6 3.3L		11IR4Y	3731	37314	0.035
1991-90	V6 3.3L		11IR4Y	3731	37314	0.035
1989	V6 3.0L		11IR5Y	3733	37334	0.035
1988	L4 2.5L		11IR4Y	3731	37314	0.035
1988	V6 3.0L		11IR5Y	3733	37334	0.035

**Gran Fury**

1989-84	V8 5.2L		11IR4Y	3731	37314	0.035
1983-81	L6 3.7L		6IR4Y	3720	37204	0.035
1983-81	V8 5.2L		11IR4Y	3731	37314	0.035
1980	L6 3.7L		6IR4Y	3720	37204	0.035
1980	V8 5.2L		11IR4Y	3731	37314	0.035
1980	V8 5.9L		11IR4Y	3731	37314	0.035
1977	V8 5.2L		11IR4Y	3731	37314	0.035
1977	V8 5.9L		11IR4Y	3731	37314	0.035
1977	V8 6.6L	Vin N	15IR5Y	3739	37394	0.035
1977	V8 6.6L	Vin P	15IR5Y	3739	37394	0.035
1977	V8 7.2L		15IR5Y	3739	37394	0.035
1976-75	V8 5.2L		11IR4Y	3731	37314	0.035
1976-75	V8 5.9L		11IR4Y	3731	37314	0.035
1976-75	V8 6.6L		15IR5Y	3739	37394	0.035
1976-75	V8 7.2L		15IR5Y	3739	37394	0.035
1974	V8 5.9L		11IR4Y	3731	37314	0.035
1974	V8 6.6L	Vin M	15IR5Y	3739	37394	0.035
1974	V8 6.6L	Vin N	11IR4Y	3731	37314	0.035
1974	V8 7.2L		15IR5Y	3739	37394	0.035
1973	V8 5.2L		11IR4Y	3731	37314	0.035
1973	V8 5.9L		11IR4Y	3731	37314	0.035
1973	V8 6.6L		15IR5Y	3739	37394	0.035
1973	V8 7.2L	Vin T	15IR5Y	3739	37394	0.035
1972	V8 5.2L		11IR4Y	3731	37314	0.035
1972	V8 5.9L		11IR4Y	3731	37314	0.035
1972	V8 6.6L		15IR5Y	3739	37394	0.035
1972	V8 7.2L		15IR5Y	3739	37394	0.035

**GTX**

1971-69	V8 7.0L		11IR4Y	3731	37314	0.035
1971-69	V8 7.2L		15IR5Y	3739	37394	0.035
1968	V8 5.2L		11IR4Y	3731	37314	0.035
1968	V8 6.3L		15IR5Y	3739	37394	0.035
1968	V8 7.0L		11IR4Y	3731	37314	0.035
1968	V8 7.2L		15IR5Y	3739	37394	0.035
1967	V8 7.0L		11IR4Y	3731	37314	0.035

**Horizon**

1990-87	L4 2.2L		11IR4Y	3731	37314	0.035
1986-84	L4 1.6L		11IR4Y	3731	37314	0.035
1986-84	L4 2.2L		11IR4Y	3731	37314	0.035
1983	L4 1.6L	Vin 3	N/A	N/A	N/A	
1983	L4 1.6L	Vin A	11IR4Y	3731	37314	0.035
1983	L4 1.7L		11IR4Y	3731	37314	0.035

\* Short Style 6 Series - PN 3741 (single), PN 37414 (4pk) - Pre-gapped 0.035  
 \* Short Style 7 Series - PN 3742 (single), PN 37424 (4pk) - Pre-gapped 0.035

CPB's = Coil Plug Boots  
 \*\* Pre-gapped for optimal performance.



Make Model Year	Engine Size	Notes:	Plug Type	MSD PN Single	MSD PN 4-Pack	Pre-Gap Setting**
1983	L4 2.2L		11R4Y	3731	37314	0.035
1982-81	L4 1.7L		11R4Y	3731	37314	0.035
1982-81	L4 2.2L		11R4Y	3731	37314	0.035
1980-78	L4 1.7L		11R4Y	3731	37314	0.035
<b>Laser</b>						
1994-90	L4 1.8L		N/A	N/A	N/A	
1994-90	L4 2.0L	Naturally Aspirated	N/A	N/A	N/A	
1994-90	L4 2.0L	Turbo	N/A	N/A	N/A	
<b>Neon</b>						
2001	L4 2.0L		7IR6Y *	3727	37274	0.043
1999-95	L4 2.0L	Vin Y, DOHC	7IR6Y *	3727	37274	0.043
<b>PB100</b>						
1980-79	L6 3.7L		6IR4Y	3720	37204	0.035
1980-79	V8 5.2L		11R4Y	3731	37314	0.035
1978-76	L6 3.7L		6IR4Y	3720	37204	0.035
1978-76	V8 5.2L		11R4Y	3731	37314	0.035
1978-76	V8 5.9L		11R4Y	3731	37314	0.035
1975	L6 3.7L		6IR4Y	3720	37204	0.035
1975	V8 5.2L		11R4Y	3731	37314	0.035
<b>PB100 Van</b>						
1974	L6 3.7L		6IR4Y	3720	37204	0.035
1974	V8 5.2L		11R4Y	3731	37314	0.035
1974	V8 5.9L		11R4Y	3731	37314	0.035
<b>PB150</b>						
1983	L6 3.7L		6IR4Y	3720	37204	0.035
1983	V8 5.2L		11R4Y	3731	37314	0.035
1982	L6 3.7L		6IR4Y	3720	37204	0.035
1981	L6 3.7L		6IR4Y	3720	37204	0.035
1981	V8 5.2L		11R4Y	3731	37314	0.035
<b>PB200</b>						
1980	L6 3.7L		6IR4Y	3720	37204	0.035
1980	V8 5.2L		11R4Y	3731	37314	0.035
1980	V8 5.9L		11R4Y	3731	37314	0.035
1979	V8 5.2L		11R4Y	3731	37314	0.035
1979	V8 5.9L		11R4Y	3731	37314	0.035
1978-76	L6 3.7L		6IR4Y	3720	37204	0.035
1978-76	V8 5.2L		11R4Y	3731	37314	0.035
1978-76	V8 5.9L		11R4Y	3731	37314	0.035
1978-76	V8 6.6L		15IR5Y	3739	37394	0.035
1978-76	V8 7.2L		15IR5Y	3739	37394	0.035
1975	L6 3.7L		6IR4Y	3720	37204	0.035
1975	V8 5.2L		11R4Y	3731	37314	0.035
1975	V8 5.9L		11R4Y	3731	37314	0.035
<b>PB200 Van</b>						
1974	L6 3.7L		6IR4Y	3720	37204	0.035
1974	V8 5.2L		11R4Y	3731	37314	0.035
1974	V8 5.9L		11R4Y	3731	37314	0.035
<b>PB250</b>						
1983-82	L6 3.7L		6IR4Y	3720	37204	0.035
1983-82	V8 5.2L		11R4Y	3731	37314	0.035
1981	L6 3.7L		6IR4Y	3720	37204	0.035
1981	V8 5.2L		11R4Y	3731	37314	0.035
1981	V8 5.9L		11R4Y	3731	37314	0.035
<b>PB300</b>						
1980-79	V8 5.2L		11R4Y	3731	37314	0.035
1980-79	V8 5.9L		11R4Y	3731	37314	0.035
1978-76	V8 5.2L		11R4Y	3731	37314	0.035
1978-76	V8 5.9L		11R4Y	3731	37314	0.035
1978-76	V8 6.6L		15IR5Y	3739	37394	0.035
1978-76	V8 7.2L		15IR5Y	3739	37394	0.035
1975	V8 5.2L		11R4Y	3731	37314	0.035
1975	V8 5.9L		11R4Y	3731	37314	0.035
<b>PB300 Van</b>						
1974	V8 5.2L		11R4Y	3731	37314	0.035
1974	V8 5.9L		11R4Y	3731	37314	0.035
<b>PB350</b>						
1983-81	V8 5.2L		11R4Y	3731	37314	0.035
1983-81	V8 5.9L		11R4Y	3731	37314	0.035

CPB's = Coil Plug Boots  
 \*\* Pre-gapped for optimal performance.

Make Model Year	Engine Size	Notes:	Plug Type	MSD PN Single	MSD PN 4-Pack	Pre-Gap Setting**
<b>Plaza</b>						
1958	L6 3.8L		15IR6	3740	37404	0.032
1958	V8 5.7L		15IR4Y	3738	37384	0.035
1957	L6 3.8L		15IR6	3740	37404	0.032
1957	V8 4.5L		15IR4Y	3738	37384	0.035
1957	V8 4.9L		15IR4Y	3738	37384	0.035
1956	V8 4.4L		15IR4Y	3738	37384	0.035
1956	V8 4.5L		15IR4Y	3738	37384	0.035
1955	V8 3.9L		15IR4Y	3738	37384	0.035
1955	V8 4.2L		15IR4Y	3738	37384	0.035
1955	V8 4.3L		15IR4Y	3738	37384	0.035
<b>Prowler</b>						
2001	V6 3.5L	6 CPBs Re	N/A	N/A	N/A	
2000-99	V6 3.5L	6 CPBs Re	N/A	N/A	N/A	
1997	V6 3.5L		N/A	N/A	N/A	
<b>Reliant</b>						
1989-86	L4 2.2L		11R4Y	3731	37314	0.035
1989-86	L4 2.5L		11R4Y	3731	37314	0.035
1985-84	L4 2.2L		11R4Y	3731	37314	0.035
1985-84	L4 2.6L		11R5Y	3733	37334	0.035
1983	L4 2.2L		11R4Y	3731	37314	0.035
1983	L4 2.6L	Vin 7	11R5Y	3733	37334	0.035
1983	L4 2.6L	Vin 6	11R5Y	3733	37334	0.035
1982	L4 2.2L		11R4Y	3731	37314	0.035
1982	L4 2.6L	Vin 7	11R5Y	3733	37334	0.035
1982	L4 2.6L	Vin D	11R5Y	3733	37334	0.035
1981	L4 2.2L		11R4Y	3731	37314	0.035
1981	L4 2.6L		11R5Y	3733	37334	0.035
<b>Roadrunner</b>						
1975	V8 5.2L		11R4Y	3731	37314	0.035
1975	V8 5.9L		11R4Y	3731	37314	0.035
1975	V8 6.6L		15IR5Y	3739	37394	0.035
1974	V8 5.2L		11R4Y	3731	37314	0.035
1974	V8 5.9L		11R4Y	3731	37314	0.035
1974	V8 6.6L		15IR5Y	3739	37394	0.035
1974	V8 7.2L		15IR5Y	3739	37394	0.035
1973-72	V8 5.2L		11R4Y	3731	37314	0.035
1973-72	V8 5.6L		11R4Y	3731	37314	0.035
1973-72	V8 6.6L		15IR5Y	3739	37394	0.035
1973-72	V8 7.2L		15IR5Y	3739	37394	0.035
1971	V8 5.6L		11R4Y	3731	37314	0.035
1971	V8 6.3L		15IR5Y	3739	37394	0.035
1971	V8 7.0L		11R4Y	3731	37314	0.035
1971	V8 7.2L		15IR5Y	3739	37394	0.035
1970-69	V8 6.3L		15IR5Y	3739	37394	0.035
1970-69	V8 7.0L		11R4Y	3731	37314	0.035
1970-69	V8 7.2L		15IR5Y	3739	37394	0.035
1968	V8 4.5L		11R4Y	3731	37314	0.035
1968	V8 5.2L		11R4Y	3731	37314	0.035
1968	V8 6.3L		15IR5Y	3739	37394	0.035
1968	V8 7.0L		11R4Y	3731	37314	0.035
<b>Sapporo</b>						
1983-80	L4 2.6L		11R5Y	3733	37334	0.035
1979-78	L4 1.6L		N/A	N/A	N/A	
1979-78	L4 2.6L		11R5Y	3733	37334	0.035
<b>Satellite</b>						
1974	L6 3.7L		11R4Y	3731	37314	0.035
1974	V8 5.2L		11R4Y	3731	37314	0.035
1974	V8 5.9L		11R4Y	3731	37314	0.035
1974	V8 6.6L		15IR5Y	3739	37394	0.035
1974	V8 7.2L		15IR5Y	3739	37394	0.035
1973	L6 3.7L		11R4Y	3731	37314	0.035
1973	V8 5.2L		11R4Y	3731	37314	0.035
1973	V8 6.6L		15IR5Y	3739	37394	0.035
1972	L6 3.7L		11R4Y	3731	37314	0.035
1972	V8 5.2L		11R4Y	3731	37314	0.035
1972	V8 5.6L		11R4Y	3731	37314	0.035
1972	V8 6.6L		15IR5Y	3739	37394	0.035
1971	L6 3.7L		11R4Y	3731	37314	0.035

\* Short Style 6 Series - PN 3741 (single), PN 37414 (4pk) - Pre-gapped 0.035  
 \* Short Style 7 Series - PN 3742 (single), PN 37424 (4pk) - Pre-gapped 0.035





**Plymouth Satellite continued**

Make Model Year	Engine Size	Notes:	Plug Type	MSD PN Single	MSD PN 4-Pack	Pre-Gap Setting**
1971	V8 5.2L		11R4Y	3731	37314	0.035
1971	V8 6.3L		15R5Y	3739	37394	0.035
1970	V8 6.3L		15R5Y	3739	37394	0.035
1969	V8 5.2L		11R4Y	3731	37314	0.035
1969	V8 6.3L	Vin G	15R4Y	3738	37384	0.035
1969	V8 6.3L	Vin H	15R5Y	3739	37394	0.035
1969	V8 5.2L		11R4Y	3731	37314	0.035
1969	V8 6.3L	Vin G	15R4Y	3738	37384	0.035
1969	V8 6.3L	Vin H	15R5Y	3739	37394	0.035
1967	V8 4.5L		11R4Y	3731	37314	0.035
1967	V8 5.2L	3/4" Reach	11R4Y	3731	37314	0.035
1967	V8 5.2L	3/8" Reach	15R4Y	3738	37384	0.035
1967	V8 6.3L		15R4Y	3738	37384	0.035
1967	V8 7.0L		11R5Y	3733	37334	0.035
1967	V8 7.2L		15R5Y	3739	37394	0.035
1966	V8 4.5L	H.O.	11R5Y	3733	37334	0.035
1966	V8 4.5L	W/O H.O.	11R4Y	3731	37314	0.035
1966	V8 5.2L		15R4Y	3738	37384	0.035
1966	V8 6.3L		15R4Y	3738	37384	0.035
1966	V8 7.0L		15R5Y	3739	37394	0.035
1966	V8 7.2L	H.O.	15R5Y	3739	37394	0.035
1966	V8 7.2L	W/O H.O.	15R4Y	3738	37384	0.035
1965	V8 4.5L	H.O.	11R5Y	3733	37334	0.035
1965	V8 4.5L	W/O H.O.	11R4Y	3731	37314	0.035
1965	V8 5.2L		15R4Y	3738	37384	0.035
1965	V8 6.3L		15R4Y	3738	37384	0.035
1965	V8 7.0L		11R4Y	3731	37314	0.035
<b>Savoy</b>						
1964	V8 4.5L		11R4Y	3731	37314	0.035
1964	V8 6.3L		15R4Y	3738	37384	0.035
1963	V8 6.3L		15R4Y	3738	37384	0.035
1960	V8 6.3L		15R5Y	3739	37394	0.035
1959	L6 3.8L		15R6	3740	37404	0.032
1958	L6 3.8L		15R6	3740	37404	0.032
1958	V8 5.7L		15R4Y	3738	37384	0.035
1957	L6 3.8L		15R6	3740	37404	0.032
1957	V8 4.5L		15R4Y	3738	37384	0.035
1957	V8 4.9L		15R4Y	3738	37384	0.035
1956	V8 4.4L		15R4Y	3738	37384	0.035
1956	V8 4.5L		15R4Y	3738	37384	0.035
1955	V8 3.9L		15R4Y	3738	37384	0.035
1955	V8 4.2L		15R4Y	3738	37384	0.035
1955	V8 4.3L		15R4Y	3738	37384	0.035
<b>Scamp</b>						
1983	L4 2.2L		11R4Y	3731	37314	0.035
1976-75	L6 3.7L		6R4Y	3720	37204	0.035
1976-75	V8 5.2L		11R4Y	3731	37314	0.035
1974-72	L6 3.2L		11R4Y	3731	37314	0.035
1974-72	L6 3.7L		11R4Y	3731	37314	0.035
1974-72	V8 5.2L		11R4Y	3731	37314	0.035
1971	L6 3.2L		11R4Y	3731	37314	0.035
1971	L6 3.7L	Vin C	11R4Y	3731	37314	0.035
1971	V8 5.2L		11R4Y	3731	37314	0.035
<b>Sport Wagon</b>						
1960	V8 6.3L		15R5Y	3739	37394	0.035
<b>Suburban</b>						
1960	V8 6.3L		15R5Y	3739	37394	0.035
1959	L6 3.8L		15R6	3740	37404	0.032
1958	L6 3.8L		15R6	3740	37404	0.032
1958	V8 5.7L		15R4Y	3738	37384	0.035
1957	L6 3.8L		15R6	3740	37404	0.032
1957	V8 4.5L		15R4Y	3738	37384	0.035
1957	V8 4.9L		15R4Y	3738	37384	0.035
1956	V8 4.4L		15R4Y	3738	37384	0.035
1956	V8 4.5L		15R4Y	3738	37384	0.035
1955	V8 3.9L		15R4Y	3738	37384	0.035
1955	V8 4.3L		15R4Y	3738	37384	0.035
1950-49	L6 3.6L		15R6	3740	37404	0.032

Make Model Year	Engine Size	Notes:	Plug Type	MSD PN Single	MSD PN 4-Pack	Pre-Gap Setting**
<b>Sundance</b>						
1994-92	L4 2.2L		11R4Y	3731	37314	0.035
1994-92	L4 2.5L		11R4Y	3731	37314	0.035
1994-92	V6 3.0L		11R5Y	3733	37334	0.035
1991-88	L4 2.2L		11R4Y	3731	37314	0.035
1991-88	L4 2.5L		11R4Y	3731	37314	0.035
1987	L4 2.2L		11R4Y	3731	37314	0.035
<b>Superbird</b>						
1970	V8 7.2L		15R5Y	3739	37394	0.035
<b>Trailduster</b>						
1981	V8 5.2L		11R4Y	3731	37314	0.035
1981	V8 5.9L		11R4Y	3731	37314	0.035
1980	L6 3.7L		6R4Y	3720	37204	0.035
1980	V8 5.2L		11R4Y	3731	37314	0.035
1980	V8 5.9L		11R4Y	3731	37314	0.035
1979	L6 3.7L	Vin N	6R4Y	3720	37204	0.035
1979	V8 5.2L		11R4Y	3731	37314	0.035
1979	V8 5.9L		11R4Y	3731	37314	0.035
1978-76	L6 3.7L		6R4Y	3720	37204	0.035
1978-76	V8 5.2L		11R4Y	3731	37314	0.035
1978-76	V8 5.9L		11R4Y	3731	37314	0.035
1978-76	V8 6.6L		15R5Y	3739	37394	0.035
1978-76	V8 7.2L		15R5Y	3739	37394	0.035
1975	L6 3.7L		6R4Y	3720	37204	0.035
1975	V8 5.2L		11R4Y	3731	37314	0.035
1975	V8 5.9L		11R4Y	3731	37314	0.035
1975	V8 7.2L		15R5Y	3739	37394	0.035
1974	V8 5.2L		11R4Y	3731	37314	0.035
1974	V8 5.9L		11R4Y	3731	37314	0.035
1974	V8 7.2L		15R5Y	3739	37394	0.035
<b>Turismo</b>						
1985	L4 1.6L		11R4Y	3731	37314	0.035
1983	L4 1.6L		N/A	N/A	N/A	
<b>Valiant</b>						
1976	L6 3.7L		6R4Y	3720	37204	0.035
1976	V8 5.2L		11R4Y	3731	37314	0.035
1976	V8 5.9L		11R4Y	3731	37314	0.035
1975	L6 3.7L		6R4Y	3720	37204	0.035
1975	V8 5.2L		11R4Y	3731	37314	0.035
1974-72	L6 3.2L		11R4Y	3731	37314	0.035
1974-72	L6 3.7L		11R4Y	3731	37314	0.035
1974-72	V8 5.2L		11R4Y	3731	37314	0.035
1971-70	L6 3.2L		11R4Y	3731	37314	0.035
1971-70	L6 3.7L	Vin C	11R4Y	3731	37314	0.035
1971-70	V8 5.2L		11R4Y	3731	37314	0.035
1969	L6 2.8L		11R4Y	3731	37314	0.035
1969	L6 3.7L	Vin B	11R4Y	3731	37314	0.035
1969	V8 4.5L		11R4Y	3731	37314	0.035
1969	V8 5.2L		11R4Y	3731	37314	0.035
1968	L6 2.8L		11R4Y	3731	37314	0.035
1968	L6 3.7L		11R4Y	3731	37314	0.035
1968	V8 4.5L		11R4Y	3731	37314	0.035
1968	V8 5.2L		11R4Y	3731	37314	0.035
1967	L6 3.7L		11R4Y	3731	37314	0.035
1967	V8 4.5L		11R4Y	3731	37314	0.035
1966	L6 2.8L		11R4Y	3731	37314	0.035
1966	L6 3.7L		11R4Y	3731	37314	0.035
1966	V8 4.5L		11R4Y	3731	37314	0.035
1965	L6 3.7L		11R4Y	3731	37314	0.035
1965	V8 4.5L		11R4Y	3731	37314	0.035
1964	V8 4.5L		11R4Y	3731	37314	0.035
<b>Volare</b>						
1980-76	L6 3.7L		6R4Y	3720	37204	0.035
1980-76	V8 5.2L		11R4Y	3731	37314	0.035
1980-76	V8 5.9L		11R4Y	3731	37314	0.035

\* Short Style 6 Series - PN 3741 (single), PN 37414 (4pk) - Pre-gapped 0.035  
 \* Short Style 7 Series - PN 3742 (single), PN 37424 (4pk) - Pre-gapped 0.035

CPB's = Coil Plug Boots  
 \*\* Pre-gapped for optimal performance.





Make Model Year	Engine Size	Notes:	Plug Type	MSD PN Single	MSD PN 4-Pack	Pre-Gap Setting**
<b>Voyager</b>						
2000	L4 2.4L		7IR4Y	3724	37244	0.040
2000	V6 3.0L		11IR5Y	3733	37334	0.035
2000	V6 3.3L		11IR4Y	3731	37314	0.035
1999	L4 2.4L		7IR4Y	3724	37244	0.040
1999	V6 3.0L		11IR5Y	3733	37334	0.035
1999	V6 3.3L		11IR4Y	3731	37314	0.035
1999	V6 3.8L		11IR4Y	3731	37314	0.035
1998	L4 2.4L		7IR4Y	3724	37244	0.040
1998	V6 3.0L		11IR5Y	3733	37334	0.035
1998	V6 3.3L		11IR4Y	3731	37314	0.035
1998	V6 3.8L		11IR4Y	3731	37314	0.035
1997	L4 2.4L		7IR4Y	3724	37244	0.040
1997	V6 3.0L		11IR5Y	3733	37334	0.035
1997	V6 3.3L		11IR4Y	3731	37314	0.035
1997	V6 3.8L		11IR4Y	3731	37314	0.035
1996	L4 2.4L		7IR4Y	3724	37244	0.040
1996	V6 3.0L		11IR5Y	3733	37334	0.035
1996	V6 3.3L		11IR4Y	3731	37314	0.035
1995-91	L4 2.5L		11IR4Y	3731	37314	0.035
1995-91	V6 3.0L		11IR5Y	3733	37334	0.035
1995-91	V6 3.3L		11IR4Y	3731	37314	0.035
1990-88	L4 2.5L		11IR4Y	3731	37314	0.035
1990-88	V6 3.0L		11IR5Y	3733	37334	0.035
1987	L4 2.2L		11IR4Y	3731	37314	0.035
1987	L4 2.5L		11IR4Y	3731	37314	0.035
1987	L4 2.6L		11IR5Y	3733	37334	0.035
1987	V6 3.0L		11IR5Y	3733	37334	0.035
1986-84	L4 2.2L		11IR4Y	3731	37314	0.035
1986-84	L4 2.6L		11IR5Y	3733	37334	0.035
<b>Pontiac</b>						
<b>6000</b>						
1991-90	L4 2.5L		6IR5Y	3722	37224	0.035
1991-90	V6 3.1L		1IR4Y	3711	37114	0.047
1989-88	L4 2.5L		6IR5Y	3722	37224	0.035
1989-88	V6 2.8L		1IR4Y	3711	37114	0.047
1989-88	V6 3.1L		1IR4Y	3711	37114	0.047
1987	L4 2.5L		6IR5Y	3722	37224	0.035
1987	V6 2.8L		1IR4Y	3711	37114	0.047
1986-84	L4 2.5L		6IR5Y	3722	37224	0.035
1986-84	V6 2.8L		6IR5Y	3722	37224	0.035
1983-82	L4 2.5L		6IR4Y	3720	37204	0.035
1983-82	V6 2.8L		6IR5Y	3722	37224	0.035
<b>Acadian</b>						
1987-78	L4 1.6L		6IR5Y	3722	37224	0.035
1977-76	L4 1.4L		6IR5Y	3722	37224	0.035
1977-76	L4 1.6L		6IR5Y	3722	37224	0.035
<b>Astre</b>						
1977	L4 2.3L		6IR5Y	3722	37224	0.035
1977	L4 2.5L		6IR4Y	3720	37204	0.035
1976	L4 2.3L		6IR5Y	3722	37224	0.035
1975	L4 2.3L		6IR5Y	3722	37224	0.035
<b>Aztek</b>						
2005-03	V6 3.4L		N/A	N/A	N/A	
2002-01	V6 3.4L		1IR4Y	3711	37114	0.047
<b>Bonneville</b>						
2005-04	V6 3.8L		N/A	N/A	N/A	
2005-04	V8 4.6L		1IR5Y	3713	37134	0.043
2003	V6 3.8L		N/A	N/A	N/A	
2002-93	V6 3.8L		1IR4Y	3711	37114	0.047
1992-89	V6 3.8L		1IR5Y	3713	37134	0.043
1988	V6 3.8L	Vin 3	1IR5Y	3713	37134	0.043
1988	V6 3.8L	Vin C	1IR5Y	3713	37134	0.043
1987	V6 3.8L		1IR5Y	3713	37134	0.043
1986	V6 3.8L		6IR4Y	3720	37204	0.035
1986	V6 4.3L		6IR4Y	3720	37204	0.035
1986	V8 5.0L		6IR5Y	3722	37224	0.035
1985-83	V6 3.8L		6IR4Y	3720	37204	0.035

CPB's = Coil Plug Boots  
 \*\* Pre-gapped for optimal performance.

Make Model Year	Engine Size	Notes:	Plug Type	MSD PN Single	MSD PN 4-Pack	Pre-Gap Setting**
1985-83	V8 5.0L		6IR4Y	3720	37204	0.035
1982	V6 3.8L		6IR4Y	3720	37204	0.035
1982	V6 4.1L		6IR4Y	3720	37204	0.035
1981	V6 3.8L		6IR4Y	3720	37204	0.035
1981	V8 4.3L		6IR4Y	3720	37204	0.035
1981	V8 5.0L		15IR4Y	3738	37384	0.035
1980	V6 3.8L		6IR4Y	3720	37204	0.035
1980	V8 4.3L		6IR4Y	3720	37204	0.035
1980	V8 4.9L		6IR4Y	3720	37204	0.035
1980	V8 5.7L	Vin R	15IR4Y	3738	37384	0.035
1980	V8 5.7L	Vin X	6IR4Y	3720	37204	0.035
1979	V8 4.9L		6IR4Y	3720	37204	0.035
1979	V8 5.7L	Vin R	15IR4Y	3738	37384	0.035
1979	V8 5.7L	Vin X	6IR4Y	3720	37204	0.035
1979	V8 6.6L		15IR4Y	3738	37384	0.035
1978	V8 4.9L		6IR4Y	3720	37204	0.035
1978	V8 5.7L	Vin R	15IR4Y	3738	37384	0.035
1978	V8 5.7L	Vin X	6IR4Y	3720	37204	0.035
1978	V8 6.6L	Vin K	15IR4Y	3738	37384	0.035
1978	V8 6.6L	Vin Z	6IR4Y	3720	37204	0.035
1977	V8 4.9L		6IR4Y	3720	37204	0.035
1977	V8 5.7L	Vin P	6IR4Y	3720	37204	0.035
1977	V8 5.7L	Vin R	15IR4Y	3738	37384	0.035
1977	V8 6.6L	Vin K	15IR4Y	3738	37384	0.035
1977	V8 6.6L	Vin Z	6IR4Y	3720	37204	0.035
1976-75	V8 6.6L		6IR4Y	3720	37204	0.035
1976-75	V8 7.5L		6IR4Y	3720	37204	0.035
1974-73	V8 6.6L		6IR4Y	3720	37204	0.035
1974-73	V8 7.5L		6IR4Y	3720	37204	0.035
1972	V8 7.5L		6IR4Y	3720	37204	0.035
1971	V8 6.6L		15IR4Y	3738	37384	0.035
1971	V8 7.5L		15IR4Y	3738	37384	0.035
1970	V8 5.7L		15IR4Y	3738	37384	0.035
1970	V8 6.6L		15IR4Y	3738	37384	0.035
1970	V8 7.5L		15IR4Y	3738	37384	0.035
1969-68	V8 6.6L		15IR5Y	3739	37394	0.035
1969-68	V8 7.0L		15IR4Y	3738	37384	0.035
1967	V8 7.0L		15IR4Y	3738	37384	0.035
1966-63	V8 6.4L		15IR4Y	3738	37384	0.035
1966-63	V8 6.9L		15IR4Y	3738	37384	0.035
1962-59	V8 6.4L		15IR4Y	3738	37384	0.035
1958	V8 6.1L		15IR4	3737	37374	0.035
1957	V8 5.7L		15IR4	3737	37374	0.035
<b>Catalina</b>						
1981	V6 3.8L		6IR4Y	3720	37204	0.035
1981	V8 4.3L		6IR4Y	3720	37204	0.035
1981	V8 4.4L		6IR4Y	3720	37204	0.035
1981	V8 5.0L	Vin H	6IR4Y	3720	37204	0.035
1981	V8 5.0L	Vin Y	15IR4Y	3738	37384	0.035
1980	V6 3.8L	Vin A	6IR4Y	3720	37204	0.035
1980	V6 3.8L	Vin K	6IR4Y	3720	37204	0.035
1980	V8 4.3L		6IR4Y	3720	37204	0.035
1980	V8 4.4L		6IR4Y	3720	37204	0.035
1980	V8 4.9L		6IR4Y	3720	37204	0.035
1980	V8 5.0L		6IR4Y	3720	37204	0.035
1980	V8 5.7L	Vin R	15IR4Y	3738	37384	0.035
1980	V8 5.7L	Vin X	6IR4Y	3720	37204	0.035
1979	L6 4.1L		6IR4Y	3720	37204	0.035
1979	V6 3.8L		6IR4Y	3720	37204	0.035
1979	V8 4.9L		6IR4Y	3720	37204	0.035
1979	V8 5.7L	Vin R	15IR4Y	3738	37384	0.035
1979	V8 5.7L	Vin X	6IR4Y	3720	37204	0.035
1979	V8 6.6L		15IR4Y	3738	37384	0.035
1978	L6 4.1L		6IR4Y	3720	37204	0.035
1978	V6 3.8L		6IR4Y	3720	37204	0.035
1978	V8 4.9L		6IR4Y	3720	37204	0.035
1978	V8 5.7L	Vin R	15IR4Y	3738	37384	0.035
1978	V8 5.7L	Vin X	6IR4Y	3720	37204	0.035
1978	V8 6.6L	Vin K	15IR4Y	3738	37384	0.035
1978	V8 6.6L	Vin Z	6IR4Y	3720	37204	0.035
1977	L6 4.1L		6IR4Y	3720	37204	0.035

\* Short Style 6 Series - PN 3741 (single), PN 37414 (4pk) - Pre-gapped 0.035  
 \* Short Style 7 Series - PN 3742 (single), PN 37424 (4pk) - Pre-gapped 0.035



**Pontiac Catalina continued**

Make Model Year	Engine Size	Notes:	Plug Type	MSD PN Single	MSD PN 4-Pack	Pre-Gap Setting**
1977	V6 3.8L		6IR4Y	3720	37204	0.035
1977	V8 4.9L		6IR4Y	3720	37204	0.035
1977	V8 5.7L	Vin P	6IR4Y	3720	37204	0.035
1977	V8 5.7L	Vin R	15IR4Y	3738	37384	0.035
1977	V8 6.6L	Vin K	15IR4Y	3738	37384	0.035
1977	V8 6.6L	Vin Z	6IR4Y	3720	37204	0.035
1976	V8 5.7L		6IR4Y	3720	37204	0.035
1976	V8 6.6L		6IR4Y	3720	37204	0.035
1976	V8 7.5L		6IR4Y	3720	37204	0.035
1975	V8 6.6L		6IR4Y	3720	37204	0.035
1975	V8 7.5L		6IR4Y	3720	37204	0.035
1974	V8 6.6L		6IR4Y	3720	37204	0.035
1974	V8 7.5L		6IR4Y	3720	37204	0.035
1973-72	V8 5.7L		6IR4Y	3720	37204	0.035
1973-72	V8 6.6L		6IR4Y	3720	37204	0.035
1973-72	V8 7.5L		6IR4Y	3720	37204	0.035
1971-70	V8 5.7L		15IR4Y	3738	37384	0.035
1971-70	V8 6.6L		15IR4Y	3738	37384	0.035
1971-70	V8 7.5L		15IR4Y	3738	37384	0.035
1969-67	V8 6.6L		15IR5Y	3739	37394	0.035
1969-67	V8 7.0L		15IR4Y	3738	37384	0.035
1966-63	V8 6.4L		15IR4Y	3738	37384	0.035
1966-63	V8 6.9L		15IR4Y	3738	37384	0.035
1962-59	V8 6.4L		15IR4Y	3738	37384	0.035
1958	V8 6.1L		15IR4	3737	37374	0.035
1957	V8 5.7L		15IR4	3737	37374	0.035
1956	V8 5.2L		15IR4	3737	37374	0.035
1955	V8 4.7L		15IR4	3737	37374	0.035
1954-50	L6 3.9L		15IR4	3737	37374	0.035
1954-50	L8 4.4L		15IR4	3737	37374	0.035
<b>Chieftain</b>						
1958	V8 6.1L		15IR4	3737	37374	0.035
1957	V8 5.7L		15IR4	3737	37374	0.035
1956	V8 5.2L		15IR4	3737	37374	0.035
1955	V8 4.7L		15IR4	3737	37374	0.035
1954-50	L6 3.9L		15IR4	3737	37374	0.035
1954-50	L8 4.4L		15IR4	3737	37374	0.035
1949	L6 3.9L		15IR4	3737	37374	0.035
1949	L8 4.1L		15IR4	3737	37374	0.035
<b>Executive</b>						
1970	V8 5.7L		15IR4Y	3738	37384	0.035
1970	V8 6.6L		15IR4Y	3738	37384	0.035
1970	V8 7.5L		15IR4Y	3738	37384	0.035
1969-67	V8 6.6L		15IR5Y	3739	37394	0.035
1969-67	V8 7.0L		15IR4Y	3738	37384	0.035
<b>Fiero</b>						
1988-85	L4 2.5L		6IR5Y	3722	37224	0.035
1988-85	V6 2.8L		6IR5Y	3722	37224	0.035
1984	L4 2.5L		6IR5Y	3722	37224	0.035
<b>Firebird</b>						
2002-98	V6 3.8L		1IR4Y	3711	37114	0.047
2002-98	V8 5.7L		1IR5Y	3713	37134	0.043
1997-96	V6 3.8L		1IR4Y	3711	37114	0.047
1997-96	V8 5.7L		1IR5Y	3713	37134	0.043
1995	V6 3.4L		6IR5Y	3722	37224	0.035
1995	V6 3.8L		1IR4Y	3711	37114	0.047
1995	V8 5.7L		1IR5Y	3713	37134	0.043
1994	V6 3.4L		6IR5Y	3722	37224	0.035
1994	V8 5.7L		1IR5Y	3713	37134	0.043
1993	V6 3.4L		6IR5Y	3722	37224	0.035
1993	V8 5.7L		1IR5Y	3713	37134	0.043
1992-90	V6 3.1L		6IR5Y	3722	37224	0.035
1992-90	V8 5.0L		6IR4Y	3720	37204	0.035
1992-90	V8 5.7L		6IR4Y	3720	37204	0.035
1989	V6 2.8L		6IR5Y	3722	37224	0.035
1989	V6 3.8L		N/A	N/A	N/A	
1989	V8 5.0L		6IR4Y	3720	37204	0.035
1989	V8 5.7L		6IR4Y	3720	37204	0.035
1988	V6 2.8L		6IR5Y	3722	37224	0.035
1988	V8 5.0L		6IR4Y	3720	37204	0.035

Make Model Year	Engine Size	Notes:	Plug Type	MSD PN Single	MSD PN 4-Pack	Pre-Gap Setting**
1988	V8 5.7L		6IR4Y	3720	37204	0.035
1987	V6 2.8L		6IR5Y	3722	37224	0.035
1987	V8 5.0L	CARB	6IR4Y	3720	37204	0.035
1987	V8 5.0L	FI	6IR5Y	3722	37224	0.035
1987	V8 5.7L	Aluminum Heads	7IR4Y	3724	37244	0.040
1987	V8 5.7L	Cast Iron Heads	6IR5Y	3722	37224	0.035
1986	L4 2.5L		6IR5Y	3722	37224	0.035
1986	V6 2.8L		6IR5Y	3722	37224	0.035
1986	V8 5.0L		6IR5Y	3722	37224	0.035
1985	L4 2.5L		6IR5Y	3722	37224	0.035
1985	V6 2.8L		6IR5Y	3722	37224	0.035
1985	V8 5.0L	Vin F	6IR5Y	3722	37224	0.035
1985	V8 5.0L	Vin G	6IR5Y	3722	37224	0.035
1985	V8 5.0L	Vin H	6IR4Y	3720	37204	0.035
1984	L4 2.5L		6IR5Y	3722	37224	0.035
1984	V6 2.8L		6IR5Y	3722	37224	0.035
1984	V8 5.0L		6IR4Y	3720	37204	0.035
1983	L4 2.5L		6IR4Y	3720	37204	0.035
1983	V6 2.8L		6IR5Y	3722	37224	0.035
1983	V8 5.0L	Vin 7	6IR4Y	3720	37204	0.035
1983	V8 5.0L	Vin H	6IR4Y	3720	37204	0.035
1983	V8 5.0L	Vin S	6IR4Y	3720	37204	0.035
1982	L4 2.5L		6IR4Y	3720	37204	0.035
1982	V6 2.8L		6IR5Y	3722	37224	0.035
1982	V8 5.0L		6IR4Y	3720	37204	0.035
1981	V6 3.8L		6IR4Y	3720	37204	0.035
1981	V8 4.3L		6IR4Y	3720	37204	0.035
1981	V8 4.4L		6IR4Y	3720	37204	0.035
1981	V8 4.9L		6IR4Y	3720	37204	0.035
1981	V8 5.0L		6IR4Y	3720	37204	0.035
1980	V6 3.8L		6IR4Y	3720	37204	0.035
1980	V8 4.3L		6IR4Y	3720	37204	0.035
1980	V8 4.9L		6IR4Y	3720	37204	0.035
1980	V8 5.0L		6IR4Y	3720	37204	0.035
1979	V6 3.8L		6IR4Y	3720	37204	0.035
1979	V8 4.9L		6IR4Y	3720	37204	0.035
1979	V8 5.0L		6IR4Y	3720	37204	0.035
1979	V8 5.7L		6IR4Y	3720	37204	0.035
1979	V8 6.6L	Vin K	15IR4Y	3738	37384	0.035
1979	V8 6.6L	Vin Z	6IR4Y	3720	37204	0.035
1978	V6 3.8L		6IR4Y	3720	37204	0.035
1978	V8 5.0L		6IR4Y	3720	37204	0.035
1978	V8 5.7L		6IR4Y	3720	37204	0.035
1978	V8 6.6L	Vin K	15IR4Y	3738	37384	0.035
1978	V8 6.6L	Vin Z	6IR4Y	3720	37204	0.035
1977	V6 3.8L		6IR4Y	3720	37204	0.035
1977	V8 4.9L		6IR4Y	3720	37204	0.035
1977	V8 5.0L		6IR4Y	3720	37204	0.035
1977	V8 5.7L	Vin P	6IR4Y	3720	37204	0.035
1977	V8 5.7L	Vin R	15IR4Y	3738	37384	0.035
1977	V8 6.6L	Vin K	15IR4Y	3738	37384	0.035
1977	V8 6.6L	Vin Z	6IR4Y	3720	37204	0.035
1976	L6 4.1L		6IR4Y	3720	37204	0.035
1976	V8 5.7L		6IR4Y	3720	37204	0.035
1976	V8 6.6L		6IR4Y	3720	37204	0.035
1976	V8 7.5L		6IR4Y	3720	37204	0.035
1975	L6 4.1L		6IR5Y	3722	37224	0.035
1975	V8 5.7L		6IR4Y	3720	37204	0.035
1975	V8 6.6L		6IR4Y	3720	37204	0.035
1975	V8 7.5L		6IR4Y	3720	37204	0.035
1974-72	L6 4.1L		6IR4Y	3720	37204	0.035
1974-72	V8 5.7L		6IR4Y	3720	37204	0.035
1974-72	V8 6.6L		6IR4Y	3720	37204	0.035
1974-72	V8 7.5L		6IR4Y	3720	37204	0.035
1971	L6 4.1L		6IR4Y	3720	37204	0.035
1971	V8 5.7L		15IR4Y	3738	37384	0.035
1971	V8 6.6L		15IR4Y	3738	37384	0.035
1971	V8 7.5L		15IR4Y	3738	37384	0.035
1970	L6 4.1L		6IR4Y	3720	37204	0.035
1970	V8 5.7L		15IR4Y	3738	37384	0.035
1970	V8 6.6L		15IR4Y	3738	37384	0.035

**142** \* Short Style 6 Series - PN 3741 (single), PN 37414 (4pk) - Pre-gapped 0.035  
 \* Short Style 7 Series - PN 3742 (single), PN 37424 (4pk) - Pre-gapped 0.035

CPB's = Coil Plug Boots  
 \*\* Pre-gapped for optimal performance.



Make Model Year	Engine Size	Notes:	Plug Type	MSD PN Single	MSD PN 4-Pack	Pre-Gap Setting**
1969-68	L6 4.1L		11IR4Y	3731	37314	0.035
1969-68	V8 5.7L		15IR4Y	3738	37384	0.035
1969-68	V8 6.6L		15IR5Y	3739	37394	0.035
1967	L6 3.8L		11IR4Y	3731	37314	0.035
1967	V8 5.3L		15IR4Y	3738	37384	0.035
1967	V8 6.6L		15IR5Y	3739	37394	0.035
<b>Firefly</b>						
2000	L3 1.0L		N/A	N/A	N/A	
2000	L4 1.3L		N/A	N/A	N/A	
2000	L4 1.3L	2 CPBs Req	N/A	N/A	N/A	
1999	L3 1.0L		N/A	N/A	N/A	
1999	L4 1.3L		N/A	N/A	N/A	
1999	L4 1.3L	2 CPBs Req	N/A	N/A	N/A	
1998	L3 1.0L		N/A	N/A	N/A	
1998	L4 1.3L		N/A	N/A	N/A	
1997-95	L3 1.0L		N/A	N/A	N/A	
1997-95	L4 1.3L		N/A	N/A	N/A	
1994	L3 1.0L		N/A	N/A	N/A	
1994	L4 1.3L		N/A	N/A	N/A	
1991-89	L3 1.0L		N/A	N/A	N/A	
1988-87	L3 1.0L	Naturally Aspirated	11IR5Y	3733	37334	0.035
1988-87	L3 1.0L	Turbo	N/A	N/A	N/A	
1986-85	L3 1.0L		11IR5Y	3733	37334	0.035
<b>G3</b>						
2009	L4 1.6L		7IR6Y *	3727	37274	0.043
<b>G5</b>						
2010-09	L4 2.2L		5IR5Y	3719	37194	0.040
2008-07	L4 2.2L	4 CPBs Req	5IR5Y	3719	37194	0.040
2008-07	L4 2.4L		5IR5Y	3719	37194	0.040
<b>G6</b>						
2010	L4 2.4L		5IR5Y	3719	37194	0.040
2010	V6 3.5L		N/A	N/A	N/A	
2009-07	L4 2.4L		5IR5Y	3719	37194	0.040
2009-07	V6 3.5L		N/A	N/A	N/A	
2009-07	V6 3.6L		5IR6Y	3743	37434	0.032
2009-07	V6 3.9L		N/A	N/A	N/A	
2006	L4 2.4L		5IR5Y	3719	37194	0.040
2006	V6 3.5L		N/A	N/A	N/A	
2006	V6 3.9L		N/A	N/A	N/A	
2005	V6 3.5L		N/A	N/A	N/A	
<b>G8</b>						
2009	V6 3.6L		5IR6Y	3743	37434	0.032
2009	V8 6.0L		1IR5L	3712	37124	0.047
2009	V8 6.2L		1IR5L	3712	37124	0.047
2008	V6 3.6L		5IR6Y	3743	37434	0.032
2008	V8 6.0L		1IR5L	3712	37124	0.047
<b>Grand Am</b>						
2005-03	L4 2.2L	4 CPBs Req	5IR5Y	3719	37194	0.040
2005-03	V6 3.4L		N/A	N/A	N/A	
2002	L4 2.2L	4 CPBs Req	5IR5Y	3719	37194	0.040
2002	V6 3.4L		N/A	N/A	N/A	
2001-99	L4 2.4L	4 CPBs Req	1IR5Y	3713	37134	0.043
2001-99	V6 3.4L		1IR4Y	3711	37114	0.047
1998-96	L4 2.4L	4 CPBs Req	1IR5Y	3713	37134	0.043
1998-96	V6 3.1L		1IR4Y	3711	37114	0.047
1995	L4 2.3L	4 CPBs Req	1IR5Y	3713	37134	0.043
1995	V6 3.1L		1IR4Y	3711	37114	0.047
1994	L4 2.3L	Vin 3, 4 CPBs Req	7IR4Y	3724	37244	0.040
1994	L4 2.3L	Vin A, 4 CPBs Req	7IR5Y	3725	37254	0.040
1994	L4 2.3L	Vin D, 4 CPBs Req	7IR4Y	3724	37244	0.040
1994	V6 3.1L		1IR4Y	3711	37114	0.047
1993	L4 2.3L	Vin 3, 4 CPBs Req	7IR4Y	3724	37244	0.040
1993	L4 2.3L	Vin A, 4 CPBs Req	7IR5Y	3725	37254	0.040
1993	L4 2.3L	Vin D, 4 CPBs Req	7IR4Y	3724	37244	0.040
1993	V6 3.3L		1IR5Y	3713	37134	0.043
1992	L4 2.3L	4 CPBs Req	7IR4Y	3724	37244	0.040
1992	V6 3.3L		1IR5Y	3713	37134	0.043
1991-90	L4 2.3L	4 CPBs Req	7IR4Y	3724	37244	0.040
1991-90	L4 2.5L		6IR5Y	3722	37224	0.035

CPB's = Coil Plug Boots  
 \*\* Pre-gapped for optimal performance.

Make Model Year	Engine Size	Notes:	Plug Type	MSD PN Single	MSD PN 4-Pack	Pre-Gap Setting**
1989-88	L4 2.0L		11IR5Y	3733	37334	0.035
1989-88	L4 2.3L	4 CPBs Req	7IR4Y	3724	37244	0.040
1989-88	L4 2.5L		6IR5Y	3722	37224	0.035
1987	L4 2.0L		11IR5Y	3733	37334	0.035
1987	L4 2.5L		6IR5Y	3722	37224	0.035
1987	V6 3.0L		1IR5Y	3713	37134	0.043
1986-85	L4 2.5L		6IR5Y	3722	37224	0.035
1986-85	V6 3.0L		1IR5Y	3713	37134	0.043
1980	V8 4.9L		6IR4Y	3720	37204	0.035
1980	V8 5.0L		6IR4Y	3720	37204	0.035
1979	V6 3.8L		6IR4Y	3720	37204	0.035
1979	V8 4.9L		6IR4Y	3720	37204	0.035
1979	V8 5.0L		6IR4Y	3720	37204	0.035
1978	V8 4.9L		6IR4Y	3720	37204	0.035
1978	V8 5.0L		6IR4Y	3720	37204	0.035
1975	V8 5.7L		6IR4Y	3720	37204	0.035
1975	V8 6.6L		6IR4Y	3720	37204	0.035
1975	V8 7.5L		6IR4Y	3720	37204	0.035
1974	V8 6.6L		6IR4Y	3720	37204	0.035
1974	V8 7.5L		6IR4Y	3720	37204	0.035
1973	V8 5.7L		6IR4Y	3720	37204	0.035
1973	V8 6.6L		6IR4Y	3720	37204	0.035
1973	V8 7.5L		6IR4Y	3720	37204	0.035
<b>Grand LeMans</b>						
1983	V6 3.8L		6IR4Y	3720	37204	0.035
1983	V8 5.0L		6IR4Y	3720	37204	0.035
1982	V6 3.8L		6IR4Y	3720	37204	0.035
1982	V6 4.1L		6IR4Y	3720	37204	0.035
1982	V8 4.4L		6IR4Y	3720	37204	0.035
1982	V8 5.0L		6IR4Y	3720	37204	0.035
1981-80	V6 3.8L	Vin A	6IR4Y	3720	37204	0.035
1981-80	V6 3.8L	Vin K	6IR4Y	3720	37204	0.035
1981-80	V8 4.3L		6IR4Y	3720	37204	0.035
1981-80	V8 4.4L		6IR4Y	3720	37204	0.035
1981-80	V8 4.9L		6IR4Y	3720	37204	0.035
1981-80	V8 5.0L		6IR4Y	3720	37204	0.035
1979	V6 3.3L		6IR4Y	3720	37204	0.035
1979	V6 3.8L		6IR4Y	3720	37204	0.035
1979	V8 4.4L		6IR4Y	3720	37204	0.035
1979	V8 4.9L		6IR4Y	3720	37204	0.035
1979	V8 5.0L		6IR4Y	3720	37204	0.035
1979	V8 5.7L		6IR4Y	3720	37204	0.035
1978	V6 3.3L		6IR4Y	3720	37204	0.035
1978	V6 3.8L		6IR4Y	3720	37204	0.035
1978	V8 5.0L		6IR4Y	3720	37204	0.035
1978	V8 5.7L		6IR4Y	3720	37204	0.035
1977	L6 4.1L		6IR4Y	3720	37204	0.035
1977	V6 3.8L		6IR4Y	3720	37204	0.035
1977	V8 4.9L		6IR4Y	3720	37204	0.035
1977	V8 5.0L		6IR4Y	3720	37204	0.035
1977	V8 5.7L	Vin L	6IR4Y	3720	37204	0.035
1977	V8 5.7L	Vin P	6IR4Y	3720	37204	0.035
1977	V8 5.7L	Vin R	15IR4Y	3738	37384	0.035
1977	V8 6.6L	Vin K	15IR4Y	3738	37384	0.035
1977	V8 6.6L	Vin Z	6IR4Y	3720	37204	0.035
1976	L6 4.1L		6IR4Y	3720	37204	0.035
1976	V8 4.3L		15IR4Y	3738	37384	0.035
1976	V8 5.0L		6IR4Y	3720	37204	0.035
1976	V8 5.7L	Vin L	6IR4Y	3720	37204	0.035
1976	V8 5.7L	Vin M	6IR4Y	3720	37204	0.035
1976	V8 5.7L	Vin P	6IR4Y	3720	37204	0.035
1976	V8 6.6L		6IR4Y	3720	37204	0.035
1976	V8 7.5L		6IR4Y	3720	37204	0.035
1975	L6 4.1L		6IR5Y	3722	37224	0.035
1975	V8 5.7L		6IR4Y	3720	37204	0.035
1975	V8 6.6L		6IR4Y	3720	37204	0.035
1975	V8 7.5L		6IR4Y	3720	37204	0.035

\* Short Style 6 Series - PN 3741 (single), PN 37414 (4pk) - Pre-gapped 0.035  
 \* Short Style 7 Series - PN 3742 (single), PN 37424 (4pk) - Pre-gapped 0.035





## Pontiac Grand Prix

Make Model Year	Engine Size	Notes:	Plug Type	MSD PN Single	MSD PN 4-Pack	Pre-Gap Setting**
<b>Grand Prix</b>						
2008-05	V6 3.8L		N/A	N/A	N/A	
2008-05	V8 5.3L		1R5Y	3713	37134	0.043
2004	V6 3.8L		N/A	N/A	N/A	
2003	V6 3.1L		1R4Y	3711	37114	0.047
2003	V6 3.8L		N/A	N/A	N/A	
2002-98	V6 3.1L		1R4Y	3711	37114	0.047
2002-98	V6 3.8L	Naturally Aspirated	1R4Y	3711	37114	0.047
2002-98	V6 3.8L	Supercharged	1R4Y	3711	37114	0.047
1997	V6 3.1L		1R4Y	3711	37114	0.047
1997	V6 3.8L		1R4Y	3711	37114	0.047
1996	V6 3.1L		1R4Y	3711	37114	0.047
1996	V6 3.4L		1R4Y	3711	37114	0.047
1995-94	V6 3.1L		1R4Y	3711	37114	0.047
1995-94	V6 3.4L		1R5Y	3713	37134	0.043
1993-92	V6 3.1L		1R4Y	3711	37114	0.047
1993-92	V6 3.4L		1R5Y	3713	37134	0.043
1991	L4 2.3L	4 CPBs Req	7R4Y	3724	37244	0.040
1991	V6 3.1L		1R4Y	3711	37114	0.047
1991	V6 3.4L		1R5Y	3713	37134	0.043
1990	L4 2.3L	4 CPBs Req	7R4Y	3724	37244	0.040
1990	V6 3.1L	Naturally Aspirated	1R4Y	3711	37114	0.047
1990	V6 3.1L	Turbo	N/A	N/A	N/A	
1989	V6 2.8L		1R4Y	3711	37114	0.047
1989	V6 3.1L	Naturally Aspirated	1R4Y	3711	37114	0.047
1989	V6 3.1L	Turbo	N/A	N/A	N/A	
1988	V6 2.8L		1R4Y	3711	37114	0.047
1987	V6 3.8L		6R4Y	3720	37204	0.035
1987	V6 4.3L		6R4Y	3720	37204	0.035
1987	V8 5.0L		6R4Y	3720	37204	0.035
1986	V6 3.8L		6R4Y	3720	37204	0.035
1986	V6 4.3L		6R4Y	3720	37204	0.035
1986	V8 5.0L		6R5Y	3722	37224	0.035
1985-83	V6 3.8L		6R4Y	3720	37204	0.035
1985-83	V8 5.0L		6R4Y	3720	37204	0.035
1982	V6 3.8L		6R4Y	3720	37204	0.035
1982	V6 4.1L		6R4Y	3720	37204	0.035
1982	V8 4.4L		6R4Y	3720	37204	0.035
1981	V6 3.8L		6R4Y	3720	37204	0.035
1981	V8 4.3L		6R4Y	3720	37204	0.035
1981	V8 4.4L		6R4Y	3720	37204	0.035
1980	V6 3.8L		6R4Y	3720	37204	0.035
1980	V8 4.3L		6R4Y	3720	37204	0.035
1980	V6 4.9L		6R4Y	3720	37204	0.035
1980	V8 5.0L		6R4Y	3720	37204	0.035
1979-78	V6 3.8L		6R4Y	3720	37204	0.035
1979-78	V8 4.9L		6R4Y	3720	37204	0.035
1979-78	V8 5.0L		6R4Y	3720	37204	0.035
1977	V8 4.9L		6R4Y	3720	37204	0.035
1977	V8 5.7L	Vin P	6R4Y	3720	37204	0.035
1977	V8 5.7L	Vin R	15R4Y	3738	37384	0.035
1977	V8 6.6L	Vin K	15R4Y	3738	37384	0.035
1977	V8 6.6L	Vin Z	6R4Y	3720	37204	0.035
1976	V8 5.7L		6R4Y	3720	37204	0.035
1976	V8 6.6L	Vin N	6R4Y	3720	37204	0.035
1976	V8 6.6L	Vin Z	6R4Y	3720	37204	0.035
1976	V8 7.5L		6R4Y	3720	37204	0.035
1975	V8 6.6L		6R4Y	3720	37204	0.035
1975	V8 7.5L		6R4Y	3720	37204	0.035
1974-72	V8 6.6L		6R4Y	3720	37204	0.035
1974-72	V8 7.5L		6R4Y	3720	37204	0.035
1971-70	V8 6.6L		15R4Y	3738	37384	0.035
1971-70	V8 7.5L		15R4Y	3738	37384	0.035
1969-68	V8 6.6L		15R5Y	3739	37394	0.035
1969-68	V8 7.0L		15R4Y	3738	37384	0.035
1967	V8 7.0L		15R4Y	3738	37384	0.035
1966-63	V8 6.4L		15R4Y	3738	37384	0.035
1966-63	V8 6.9L		15R4Y	3738	37384	0.035
1962	V8 6.4L		15R4Y	3738	37384	0.035

Make Model Year	Engine Size	Notes:	Plug Type	MSD PN Single	MSD PN 4-Pack	Pre-Gap Setting**
<b>Grand Safari</b>						
1978	V8 6.6L	Vin K	15R4Y	3738	37384	0.035
1978	V8 6.6L	Vin Z	6R4Y	3720	37204	0.035
1977	V8 4.9L		6R4Y	3720	37204	0.035
1977	V8 5.7L		15R4Y	3738	37384	0.035
1977	V8 6.6L	Vin K	15R4Y	3738	37384	0.035
1977	V8 6.6L	Vin Z	6R4Y	3720	37204	0.035
1976-75	V8 6.6L		6R4Y	3720	37204	0.035
1976-75	V8 7.5L		6R4Y	3720	37204	0.035
1974-73	V8 6.6L		6R4Y	3720	37204	0.035
1974-73	V8 7.5L		6R4Y	3720	37204	0.035
1972	V8 7.5L		6R4Y	3720	37204	0.035
1971	V8 6.6L		15R4Y	3738	37384	0.035
1971	V8 7.5L		15R4Y	3738	37384	0.035
<b>Grandville</b>						
1975	V8 6.6L		6R4Y	3720	37204	0.035
1975	V8 7.5L		6R4Y	3720	37204	0.035
1974	V8 7.5L		6R4Y	3720	37204	0.035
1973	V8 6.6L		6R4Y	3720	37204	0.035
1973	V8 7.5L		6R4Y	3720	37204	0.035
1972	V8 7.5L		6R4Y	3720	37204	0.035
1971	V8 6.6L		15R4Y	3738	37384	0.035
1971	V8 7.5L		15R4Y	3738	37384	0.035
<b>GTO</b>						
2006-05	V8 6.0L		1R5Y	3713	37134	0.043
2004	V8 5.7L		1R5Y	3713	37134	0.043
1973-72	V8 6.6L		6R4Y	3720	37204	0.035
1973-72	V8 7.5L		6R4Y	3720	37204	0.035
1971	V8 6.6L		15R4Y	3738	37384	0.035
1971	V8 7.5L		15R4Y	3738	37384	0.035
1970	V8 5.7L		15R4Y	3738	37384	0.035
1970	V8 6.6L		15R4Y	3738	37384	0.035
1970	V8 7.5L		15R4Y	3738	37384	0.035
1969-68	V8 6.6L		15R5Y	3739	37394	0.035
1967	V8 5.3L		15R4Y	3738	37384	0.035
1967	V8 6.6L		15R5Y	3739	37394	0.035
1966-65	V8 5.3L		15R4Y	3738	37384	0.035
1966-65	V8 6.4L		15R4Y	3738	37384	0.035
1964	L6 3.5L		11R4Y	3731	37314	0.035
1964	V8 5.3L		15R4Y	3738	37384	0.035
1964	V8 6.4L		15R4Y	3738	37384	0.035
<b>J2000</b>						
1983	L4 1.8L		11R5Y	3733	37334	0.035
1983	L4 2.0L		6R5Y	3722	37224	0.035
1982	L4 1.8L	CARB	6R5Y	3722	37224	0.035
1982	L4 1.8L	FI	11R5Y	3733	37334	0.035
<b>J2000 Sunbird</b>						
1985	L4 1.8L		11R5Y	3733	37334	0.035
1985	L4 2.0L		6R5Y	3722	37224	0.035
1984	L4 1.8L		11R5Y	3733	37334	0.035
<b>Laurentian</b>						
1981	V6 3.8L		6R4Y	3720	37204	0.035
1981	V8 4.3L		6R4Y	3720	37204	0.035
1981	V8 4.4L		6R4Y	3720	37204	0.035
1981	V8 5.0L	Vin H	6R4Y	3720	37204	0.035
1981	V8 5.0L	Vin Y	15R4Y	3738	37384	0.035
1980	V6 3.8L		6R4Y	3720	37204	0.035
1980	V8 4.4L		6R4Y	3720	37204	0.035
1980	V8 5.0L		6R4Y	3720	37204	0.035
1980	V8 5.7L	GAS	6R4Y	3720	37204	0.035
1979	L6 4.1L		6R4Y	3720	37204	0.035
1979	V8 5.0L		6R4Y	3720	37204	0.035
1979	V8 5.7L		6R4Y	3720	37204	0.035
1978	L6 4.1L		6R4Y	3720	37204	0.035
1978	V8 5.0L		6R4Y	3720	37204	0.035
1978	V8 5.7L		6R4Y	3720	37204	0.035
1977	L6 4.1L		6R4Y	3720	37204	0.035
1977	V8 5.0L		6R4Y	3720	37204	0.035

\* Short Style 6 Series - PN 3741 (single), PN 37414 (4pk) - Pre-gapped 0.035  
 \* Short Style 7 Series - PN 3742 (single), PN 37424 (4pk) - Pre-gapped 0.035

CPB's = Coil Plug Boots  
 \*\* Pre-gapped for optimal performance.





Make Model Year	Engine Size	Notes:	Plug Type	MSD PN Single	MSD PN 4-Pack	Pre-Gap Setting**
1977	V8 5.7L		6IR4Y	3720	37204	0.035
1976	V8 5.7L		6IR4Y	3720	37204	0.035
1976	V8 6.6L		6IR4Y	3720	37204	0.035
1976	V8 7.5L		6IR4Y	3720	37204	0.035
<b>LeMans</b>						
1993-91	L4 1.6L		11IR4Y	3731	37314	0.035
1990-89	L4 1.6L		11IR4Y	3731	37314	0.035
1990-89	L4 2.0L		11IR4Y	3731	37314	0.035
1988	L4 1.6L		11IR4Y	3731	37314	0.035
1981-80	V6 3.8L	Vin A	6IR4Y	3720	37204	0.035
1981-80	V6 3.8L	Vin K	6IR4Y	3720	37204	0.035
1981-80	V8 4.3L		6IR4Y	3720	37204	0.035
1981-80	V8 4.4L		6IR4Y	3720	37204	0.035
1981-80	V8 4.9L		6IR4Y	3720	37204	0.035
1981-80	V8 5.0L		6IR4Y	3720	37204	0.035
1979	V6 3.3L		6IR4Y	3720	37204	0.035
1979	V6 3.8L		6IR4Y	3720	37204	0.035
1979	V8 4.4L		6IR4Y	3720	37204	0.035
1979	V8 4.9L		6IR4Y	3720	37204	0.035
1979	V8 5.0L		6IR4Y	3720	37204	0.035
1979	V8 5.7L		6IR4Y	3720	37204	0.035
1978	V6 3.3L		6IR4Y	3720	37204	0.035
1978	V6 3.8L		6IR4Y	3720	37204	0.035
1978	V8 5.0L		6IR4Y	3720	37204	0.035
1978	V8 5.7L		6IR4Y	3720	37204	0.035
1977	L6 4.1L		6IR4Y	3720	37204	0.035
1977	V6 3.8L		6IR4Y	3720	37204	0.035
1977	V8 4.9L		6IR4Y	3720	37204	0.035
1977	V8 5.0L		6IR4Y	3720	37204	0.035
1977	V8 5.7L	Vin L	6IR4Y	3720	37204	0.035
1977	V8 5.7L	Vin P	6IR4Y	3720	37204	0.035
1977	V8 5.7L	Vin R	15IR4Y	3738	37384	0.035
1977	V8 6.6L	Vin K	15IR4Y	3738	37384	0.035
1977	V8 6.6L	Vin Z	6IR4Y	3720	37204	0.035
1976	L6 4.1L		6IR4Y	3720	37204	0.035
1976	V8 4.3L		15IR4Y	3738	37384	0.035
1976	V8 5.0L		6IR4Y	3720	37204	0.035
1976	V8 5.7L	Vin L	6IR4Y	3720	37204	0.035
1976	V8 5.7L	Vin M	6IR4Y	3720	37204	0.035
1976	V8 5.7L	Vin P	6IR4Y	3720	37204	0.035
1976	V8 6.6L		6IR4Y	3720	37204	0.035
1976	V8 7.5L		6IR4Y	3720	37204	0.035
1975	L6 4.1L		6IR5Y	3722	37224	0.035
1975	V8 5.7L		6IR4Y	3720	37204	0.035
1975	V8 6.6L		6IR4Y	3720	37204	0.035
1974-72	L6 4.1L		6IR4Y	3720	37204	0.035
1974-72	V8 5.7L		6IR4Y	3720	37204	0.035
1974-72	V8 6.6L		6IR4Y	3720	37204	0.035
1974-72	V8 7.5L		6IR4Y	3720	37204	0.035
1971	L6 4.1L		6IR4Y	3720	37204	0.035
1971	V8 5.7L		15IR4Y	3738	37384	0.035
1971	V8 6.6L		15IR4Y	3738	37384	0.035
1970	L6 4.1L		6IR4Y	3720	37204	0.035
1970	V8 5.7L		15IR4Y	3738	37384	0.035
1970	V8 6.6L		15IR4Y	3738	37384	0.035
1970	V8 7.5L		15IR4Y	3738	37384	0.035
1969-68	L6 4.1L		11IR4Y	3731	37314	0.035
1969-68	V8 5.7L		15IR4Y	3738	37384	0.035
1969-68	V8 6.6L		15IR5Y	3739	37394	0.035
1969-68	V8 7.0L		15IR4Y	3738	37384	0.035
1967	L6 3.8L		11IR4Y	3731	37314	0.035
1967	V8 5.3L		15IR4Y	3738	37384	0.035
1966	L6 3.8L		15IR6	3740	37404	0.032
1966	V8 5.3L		15IR4Y	3738	37384	0.035
1965-64	L6 3.5L		11IR4Y	3731	37314	0.035
1965-64	V8 5.3L		15IR4Y	3738	37384	0.035
1965-64	V8 6.4L		15IR4Y	3738	37384	0.035
1963	V8 5.3L		15IR4Y	3738	37384	0.035

Make Model Year	Engine Size	Notes:	Plug Type	MSD PN Single	MSD PN 4-Pack	Pre-Gap Setting**
<b>Montana</b>						
2009-07	V6 3.9L		N/A	N/A	N/A	
2006	V6 3.5L		N/A	N/A	N/A	
2006	V6 3.9L		N/A	N/A	N/A	
2005	V6 3.4L		N/A	N/A	N/A	
2005	V6 3.5L		N/A	N/A	N/A	
2004-03	V6 3.4L		N/A	N/A	N/A	
2002-99	V6 3.4L		11R4Y	3711	37114	0.047
<b>Optima</b>						
1991	L4 1.6L		11IR4Y	3731	37314	0.035
1990-88	L4 1.6L		11IR4Y	3731	37314	0.035
1990-88	L4 2.0L		11IR4Y	3731	37314	0.035
<b>Parisienne</b>						
1986	V6 4.3L		6IR4Y	3720	37204	0.035
1986	V8 5.0L	Vin H	6IR5Y	3722	37224	0.035
1986	V8 5.0L	Vin Y	7IR4Y	3724	37244	0.040
1985	V6 3.8L		6IR4Y	3720	37204	0.035
1985	V6 4.3L		6IR4Y	3720	37204	0.035
1985	V8 5.0L		6IR4Y	3720	37204	0.035
1984	V6 3.8L		6IR4Y	3720	37204	0.035
1984	V8 5.0L		6IR4Y	3720	37204	0.035
1983	V6 3.8L	Vin A	6IR4Y	3720	37204	0.035
1983	V8 5.0L		6IR4Y	3720	37204	0.035
1982	V6 3.8L		6IR4Y	3720	37204	0.035
1982	V8 4.4L		6IR4Y	3720	37204	0.035
1982	V8 5.0L		6IR4Y	3720	37204	0.035
1981	V6 3.8L		6IR4Y	3720	37204	0.035
1981	V8 4.3L		6IR4Y	3720	37204	0.035
1981	V8 4.4L		6IR4Y	3720	37204	0.035
1981	V8 5.0L	Vin H	6IR4Y	3720	37204	0.035
1981	V8 5.0L	Vin Y	15IR4Y	3738	37384	0.035
1980	V6 3.8L		6IR4Y	3720	37204	0.035
1980	V8 4.4L		6IR4Y	3720	37204	0.035
1980	V8 5.0L		6IR4Y	3720	37204	0.035
1980	V8 5.7L	GAS	6IR4Y	3720	37204	0.035
1979	L6 4.1L		6IR4Y	3720	37204	0.035
1979	V8 5.0L		6IR4Y	3720	37204	0.035
1979	V8 5.7L		6IR4Y	3720	37204	0.035
1978	L6 4.1L		6IR4Y	3720	37204	0.035
1978	V8 5.0L		6IR4Y	3720	37204	0.035
1978	V8 5.7L		6IR4Y	3720	37204	0.035
1977	L6 4.1L		6IR4Y	3720	37204	0.035
1977	V8 5.0L		6IR4Y	3720	37204	0.035
1977	V8 5.7L		6IR4Y	3720	37204	0.035
1976	V8 5.7L		6IR4Y	3720	37204	0.035
1976	V8 7.5L		6IR4Y	3720	37204	0.035
<b>Phoenix</b>						
1984	L4 2.5L		6IR5Y	3722	37224	0.035
1984	V6 2.8L		6IR5Y	3722	37224	0.035
1983-80	L4 2.5L		6IR4Y	3720	37204	0.035
1983-80	V6 2.8L		6IR5Y	3722	37224	0.035
1979	V6 3.8L		6IR4Y	3720	37204	0.035
1979	V8 5.0L		6IR4Y	3720	37204	0.035
1979	V8 5.7L		6IR4Y	3720	37204	0.035
1978	L4 2.5L		6IR5Y	3722	37224	0.035
1978	V6 3.8L		6IR4Y	3720	37204	0.035
1978	V8 5.0L		6IR4Y	3720	37204	0.035
1978	V8 5.7L		6IR4Y	3720	37204	0.035
1977	L4 2.5L		6IR4Y	3720	37204	0.035
1977	V6 3.8L		6IR4Y	3720	37204	0.035
1977	V8 5.0L		6IR4Y	3720	37204	0.035
1977	V8 5.7L	Vin L	6IR4Y	3720	37204	0.035
1977	V8 5.7L	Vin R	15IR4Y	3738	37384	0.035
<b>Pursuit</b>						
2006	L4 2.2L	4 CPBs Req	5IR5Y	3719	37194	0.040
2006	L4 2.4L		5IR5Y	3719	37194	0.040
2005	L4 2.2L	4 CPBs Req	5IR5Y	3719	37194	0.040

CPB's = Coil Plug Boots  
 \*\* Pre-gapped for optimal performance.

\* Short Style 6 Series - PN 3741 (single), PN 37414 (4pk) - Pre-gapped 0.035  
 \* Short Style 7 Series - PN 3742 (single), PN 37424 (4pk) - Pre-gapped 0.035



**Pontiac safari**

Make Model Year	Engine Size	Notes:	Plug Type	MSD PN Single	MSD PN 4-Pack	Pre-Gap Setting**
<b>Safari</b>						
1989-87	V8 5.0L		7IR4Y	3724	37244	0.040
1970	L6 4.1L		6IR4Y	3720	37204	0.035
1970	V8 5.7L		15IR4Y	3738	37384	0.035
1970	V8 6.6L		15IR4Y	3738	37384	0.035
1968	L6 4.1L		11IR4Y	3731	37314	0.035
1968	V8 5.7L		15IR4Y	3738	37384	0.035
1968	V8 6.6L		15IR5Y	3739	37394	0.035
1965-63	V8 6.4L		15IR4Y	3738	37384	0.035
1965-63	V8 6.9L		15IR4Y	3738	37384	0.035
1962-61	V8 6.4L		15IR4Y	3738	37384	0.035
<b>Solstice</b>						
2009-08	L4 2.0L		5IR5Y	3719	37194	0.040
2009-08	L4 2.4L		5IR5Y	3719	37194	0.040
2007	L4 2.0L		5IR6Y	3743	37434	0.032
2007	L4 2.4L		5IR5Y	3719	37194	0.040
2006	L4 2.4L		5IR5Y	3719	37194	0.040
<b>Star Chief</b>						
1966-63	V8 6.4L		15IR4Y	3738	37384	0.035
1966-63	V8 6.9L		15IR4Y	3738	37384	0.035
1962-59	V8 6.4L		15IR4Y	3738	37384	0.035
1958	V8 6.1L		15IR4	3737	37374	0.035
1957	V8 5.7L		15IR4	3737	37374	0.035
1956	V8 5.2L		15IR4	3737	37374	0.035
1955	V8 4.7L		15IR4	3737	37374	0.035
1954	L8 4.4L		15IR4	3737	37374	0.035
<b>Streamliner</b>						
1952-50	L6 3.9L		15IR4	3737	37374	0.035
1952-50	L8 4.4L		15IR4	3737	37374	0.035
1949-46	L6 3.9L		15IR4	3737	37374	0.035
1949-46	L8 4.1L		15IR4	3737	37374	0.035
<b>Sunbird</b>						
1994-92	L4 2.0L		11IR5Y	3733	37334	0.035
1994-92	V6 3.1L		11R4Y	3711	37114	0.047
1991	L4 2.0L		11IR4Y	3731	37314	0.035
1991	V6 3.1L		11R4Y	3711	37114	0.047
1990-89	L4 2.0L	Naturally Aspirated	11IR4Y	3731	37314	0.035
1990-89	L4 2.0L	Turbo	11IR5Y	3733	37334	0.035
1988-87	L4 2.0L	Naturally Aspirated	11IR4Y	3731	37314	0.035
1988-87	L4 2.0L	Turbo	11IR5Y	3733	37334	0.035
1986	L4 1.8L		11IR5Y	3733	37334	0.035
1986	L4 2.0L		6IR5Y	3722	37224	0.035
1980	L4 2.5L		6IR4Y	3720	37204	0.035
1980	V6 3.8L		6IR4Y	3720	37204	0.035
1979	L4 2.5L		6IR4Y	3720	37204	0.035
1979	V6 3.8L		6IR4Y	3720	37204	0.035
1979	V8 5.0L		6IR4Y	3720	37204	0.035
1978	L4 2.5L		6IR5Y	3722	37224	0.035
1978	V6 3.8L		6IR4Y	3720	37204	0.035
1978	V8 5.0L		6IR4Y	3720	37204	0.035
1977	L4 2.3L		6IR5Y	3722	37224	0.035
1977	L4 2.5L		6IR4Y	3720	37204	0.035
1977	V6 3.8L		6IR4Y	3720	37204	0.035
1976	L4 2.3L		6IR5Y	3722	37224	0.035
1976	V6 3.8L		15IR4Y	3738	37384	0.035
<b>Sunburst</b>						
1988-87	L4 1.5L	Naturally Aspirated	11IR5Y	3733	37334	0.035
1988-87	L4 1.5L	Turbo	11IR5Y	3733	37334	0.035
1986-85	L4 1.5L		11IR5Y	3733	37334	0.035
<b>Sunfire</b>						
2005-03	L4 2.2L	4 CPBs Req	5IR5Y	3719	37194	0.040
2002	L4 2.2L	Vin 4, DOHC, 4 CPBs Req	1IR5Y	3713	37134	0.043
2002	L4 2.2L	Vin F, DOHC, 4 CPBs Req	5IR5Y	3719	37194	0.040
2002	L4 2.4L	4 CPBs Req	1IR5Y	3713	37134	0.043
2001-99	L4 2.2L		1IR5Y	3713	37134	0.043
2001-99	L4 2.4L	4 CPBs Req	1IR5Y	3713	37134	0.043
1998	L4 2.2L		1IR5Y	3713	37134	0.043

Make Model Year	Engine Size	Notes:	Plug Type	MSD PN Single	MSD PN 4-Pack	Pre-Gap Setting**
1998	L4 2.4L	4 CPBs Req	1IR5Y	3713	37134	0.043
1997-96	L4 2.2L		N/A	N/A	N/A	
1997-96	L4 2.4L	4 CPBs Req	1IR5Y	3713	37134	0.043
1995	L4 2.2L		N/A	N/A	N/A	
1995	L4 2.3L	4 CPBs Req	1IR5Y	3713	37134	0.043
<b>Sunrunner</b>						
1997-95	L4 1.6L		7IR6Y *	3727	37274	0.043
1994	L4 1.6L		11IR5Y	3733	37334	0.035
<b>Super Chief</b>						
1958	V8 6.1L		15IR4	3737	37374	0.035
1957	V8 5.7L		15IR4	3737	37374	0.035
<b>T1000</b>						
1987-81	L4 1.6L		6IR5Y	3722	37224	0.035
<b>Tempest</b>						
1991-90	L4 2.2L		11R4Y	3711	37114	0.047
1991-90	V6 3.1L		11R4Y	3711	37114	0.047
1989-87	L4 2.0L		11R4Y	3711	37114	0.047
1989-87	V6 2.8L		11R4Y	3711	37114	0.047
1970	L6 4.1L		6IR4Y	3720	37204	0.035
1970	V8 5.7L		15IR4Y	3738	37384	0.035
1970	V8 6.6L		15IR4Y	3738	37384	0.035
1969	L6 4.1L		11IR4Y	3731	37314	0.035
1969	V8 6.6L		15IR5Y	3739	37394	0.035
1969	V8 7.0L		15IR4Y	3738	37384	0.035
1968	L6 4.1L		11IR4Y	3731	37314	0.035
1968	V8 5.7L		15IR4Y	3738	37384	0.035
1968	V8 6.6L		15IR5Y	3739	37394	0.035
1967	L6 3.8L		11IR4Y	3731	37314	0.035
1967	V8 5.3L		15IR4Y	3738	37384	0.035
1966	L6 3.8L		15IR6	3740	37404	0.032
1966	V8 5.3L		15IR4Y	3738	37384	0.035
1965	L6 3.5L		11IR4Y	3731	37314	0.035
1965	V8 5.3L		15IR4Y	3738	37384	0.035
1964	L6 3.5L		11IR4Y	3731	37314	0.035
1964	V8 5.3L		15IR4Y	3738	37384	0.035
1964	V8 6.4L		15IR4Y	3738	37384	0.035
1963	V8 5.3L		15IR4Y	3738	37384	0.035
1963	V8 6.4L		15IR4Y	3738	37384	0.035
1962-61	V8 6.4L	Car	15IR4Y	3738	37384	0.035
<b>Torpedo</b>						
1948-46	L6 3.9L		15IR4	3737	37374	0.035
1948-46	L8 4.1L		15IR4	3737	37374	0.035
<b>Torrent</b>						
2009-08	V6 3.4L		N/A	N/A	N/A	
2009-08	V6 3.6L		5IR6Y	3743	37434	0.032
2007-06	V6 3.4L		N/A	N/A	N/A	
<b>Trans Sport</b>						
1999-96	V6 3.4L		11R4Y	3711	37114	0.047
1995-94	V6 3.1L		6IR5Y	3722	37224	0.035
1995-94	V6 3.8L		11R4Y	3711	37114	0.047
1993-92	V6 3.1L		6IR5Y	3722	37224	0.035
1993-92	V6 3.8L		11R5Y	3713	37134	0.043
1991-90	V6 3.1L		6IR5Y	3722	37224	0.035
<b>Ventura</b>						
1977	L4 2.5L		6IR4Y	3720	37204	0.035
1977	V6 3.8L		6IR4Y	3720	37204	0.035
1977	V8 4.9L		6IR4Y	3720	37204	0.035
1977	V8 5.0L		6IR4Y	3720	37204	0.035
1977	V8 5.7L	Vin L	6IR4Y	3720	37204	0.035
1977	V8 5.7L	Vin R	15IR4Y	3738	37384	0.035
1976	L6 4.1L		6IR4Y	3720	37204	0.035
1976	V8 4.3L		15IR4Y	3738	37384	0.035
1976	V8 5.7L		6IR4Y	3720	37204	0.035
1975	L6 4.1L		6IR5Y	3722	37224	0.035
1975	V8 4.3L		15IR4Y	3738	37384	0.035
1975	V8 5.7L		6IR4Y	3720	37204	0.035
1974-73	L6 4.1L		6IR4Y	3720	37204	0.035
1974-73	V8 5.7L		6IR4Y	3720	37204	0.035
1972	L6 4.1L		6IR4Y	3720	37204	0.035

\* Short Style 6 Series - PN 3741 (single), PN 37414 (4pk) - Pre-gapped 0.035  
 \* Short Style 7 Series - PN 3742 (single), PN 37424 (4pk) - Pre-gapped 0.035

CPB's = Coil Plug Boots  
 \*\* Pre-gapped for optimal performance.



Make Model Year	Engine Size	Notes:	Plug Type	MSD PN Single	MSD PN 4-Pack	Pre-Gap Setting**
1972	V8 5.0L		6IR5	3721	37214	0.035
1972	V8 5.7L		6IR4Y	3720	37204	0.035
1971	L6 4.1L		6IR4Y	3720	37204	0.035
1971	V8 5.0L		6IR4Y	3720	37204	0.035
1961-60	V8 6.4L		15IR4Y	3738	37384	0.035
<b>Vibe</b>						
2010-09	L4 1.8L		N/A	N/A	N/A	
2010-09	L4 2.4L		7IR6Y *	3727	37274	0.043
2008-07	L4 1.8L		7IR5Y	3725	37254	0.040
2006-03	L4 1.8L	Eng 1ZZFE	7IR5Y	3725	37254	0.040
2006-03	L4 1.8L	Eng 2ZZGE	7IR6Y *	3727	37274	0.043
<b>Wave</b>						
2008-05	L4 1.6L		7IR6Y *	3727	37274	0.043
<b>Wave5</b>						
2009	L4 1.6L		7IR6Y *	3727	37274	0.043
<b>Porsche</b>						
<b>356A</b>						
1959-55	H4 1.6L		13IR6Y	3736	37364	0.032
<b>356B</b>						
1963-60	H4 1.6L		13IR6Y	3736	37364	0.032
<b>356C</b>						
1965	H4 1.6L		13IR6Y	3736	37364	0.032
1964	H4 1.6L		13IR6Y	3736	37364	0.032
<b>356SC</b>						
1965-64	H4 1.6L		13IR6Y	3736	37364	0.032
<b>911</b>						
2008	H6 3.6L		N/A	N/A	N/A	
2008	H6 3.8L		N/A	N/A	N/A	
2007	H6 3.6L	6 CPBs Req	N/A	N/A	N/A	
2007	H6 3.8L	6 CPBs Req	N/A	N/A	N/A	
2006	H6 3.6L	6 CPBs Req	N/A	N/A	N/A	
2006	H6 3.8L	6 CPBs Req	N/A	N/A	N/A	
2005	H6 3.6L	Carrera 4S, Nat Aspirated, 6 CPBs Req	7IR6Y *	3727	37274	0.043
2005	H6 3.6L	Carrera, Nat Aspirated, 6 CPBs Req	7IR6Y *	3727	37274	0.043
2005	H6 3.6L	GT2, Turbo 6 CPBs Req	N/A	N/A	N/A	
2005	H6 3.6L	GT3, Naturally Aspirated, 6 CPBs Req	7IR6Y *	3727	37274	0.043
2005	H6 3.6L	Turbo, Turbo, 6 CPBs Req	N/A	N/A	N/A	
2005	H6 3.6L	Turbo S, Turbo, 6 CPBs Req	N/A	N/A	N/A	
2005	H6 3.8L	Carrera S, Nat Aspirated, 6 CPBs Req	N/A	N/A	N/A	
2004	H6 3.6L	40th Anniv Edition, 6 CPBs Req	N/A	N/A	N/A	
2004	H6 3.6L	Carrera 4, 6 CPBs Req	7IR6Y *	3727	37274	0.043
2004	H6 3.6L	Carrera, 6 CPBs Req	7IR6Y *	3727	37274	0.043
2004	H6 3.6L	GT2, 6 CPBs Req	7IR6Y *	3727	37274	0.043
2004	H6 3.6L	GT3, 6 CPBs Req	7IR6Y *	3727	37274	0.043
2004	H6 3.6L	Turbo, 6 CPBs Req	N/A	N/A	N/A	
2003	H6 3.6L	Naturally Aspirated, 6 CPBs Req	7IR6Y *	3727	37274	0.043
2003	H6 3.6L	Turbo, 6 CPBs Req	7IR6Y *	3727	37274	0.043
2002	H6 3.6L	6 CPBs Req	7IR6Y *	3727	37274	0.043
2001	H6 3.4L	6 CPBs Req	7IR6Y *	3727	37274	0.043
2001	H6 3.6L	6 CPBs Req	7IR6Y *	3727	37274	0.043
2000-99	H6 3.4L	6 CPBs Req	7IR6Y *	3727	37274	0.043
1998	H6 3.6L		N/A	N/A	N/A	
1997-96	H6 3.6L	Turbo	7IR6Y *	3727	37274	0.043
1997-96	H6 3.6L	Naturally Aspirated	N/A	N/A	N/A	
1995	H6 3.6L		N/A	N/A	N/A	
1994	H6 3.6L	Carrera 2, Naturally Aspirated	N/A	N/A	N/A	
1994	H6 3.6L	Carrera 4, Naturally Aspirated	7IR6Y *	3727	37274	0.043
1994	H6 3.6L	RS America, Naturally Aspirated	N/A	N/A	N/A	
1994	H6 3.6L	Speedster, Naturally Aspirated	N/A	N/A	N/A	
1994	H6 3.6L	Targa, Naturally Aspirated	N/A	N/A	N/A	
1994	H6 3.6L	Turbo 3.6, Naturally Aspirated	7IR6Y *	3727	37274	0.043
1994	H6 3.6L	Turbo Look, Naturally Aspirated	7IR6Y *	3727	37274	0.043
1993	H6 3.6L	Carrera 2, Naturally Aspirated	N/A	N/A	N/A	
1993	H6 3.6L	Carrera 4, Naturally Aspirated	7IR6Y *	3727	37274	0.043
1993	H6 3.6L	Carrera 4, Turbo Look Nat Aspirated	7IR6Y *	3727	37274	0.043

CPB's = Coil Plug Boots  
 \*\* Pre-gapped for optimal performance.

Make Model Year	Engine Size	Notes:	Plug Type	MSD PN Single	MSD PN 4-Pack	Pre-Gap Setting**
1993	H6 3.6L	RS America, Naturally Aspirated	N/A	N/A	N/A	
1993	H6 3.6L	Turbo 3.6, Naturally Aspirated	7IR6Y *	3727	37274	0.043
1993	H6 3.6L	Turbo Look, Naturally Aspirated	7IR6Y *	3727	37274	0.043
1992	H6 3.3L		N/A	N/A	N/A	
1992	H6 3.6L	Carrera 2	N/A	N/A	N/A	
1992	H6 3.6L	Carrera 4	7IR6Y *	3727	37274	0.043
1992	H6 3.6L	RS America	N/A	N/A	N/A	
1992	H6 3.6L	Turbo Look	7IR6Y *	3727	37274	0.043
1991	H6 3.3L		N/A	N/A	N/A	
1991	H6 3.6L	Camera 2	N/A	N/A	N/A	
1991	H6 3.6L	Carrera 4	7IR6Y *	3727	37274	0.043
1990	H6 3.6L		7IR6Y *	3727	37274	0.043
1989	H6 3.2L		N/A	N/A	N/A	
1989	H6 3.3L		N/A	N/A	N/A	
1989	H6 3.6L		N/A	N/A	N/A	
1988-87	H6 3.2L		N/A	N/A	N/A	
1988-87	H6 3.3L		N/A	N/A	N/A	
1986	H6 3.2L		N/A	N/A	N/A	
1986	H6 3.3L		N/A	N/A	N/A	
1985-84	H6 3.2L		N/A	N/A	N/A	
1985-84	H6 3.3L		N/A	N/A	N/A	
1983-81	H6 3.0L		N/A	N/A	N/A	
1983-81	H6 3.3L		N/A	N/A	N/A	
1980	H6 3.0L		N/A	N/A	N/A	
1979-78	H6 3.0L		11IR5Y	3733	37334	0.035
1977-76	H6 2.7L		N/A	N/A	N/A	
1977-76	H6 3.0L		N/A	N/A	N/A	
1975	H6 2.7L	Vin 2	N/A	N/A	N/A	
1975	H6 2.7L	Vin 4	N/A	N/A	N/A	
1974	H6 2.7L	Vin 1	N/A	N/A	N/A	
1974	H6 2.7L	Vin 3	N/A	N/A	N/A	
1974	H6 2.7L	Vin 4	N/A	N/A	N/A	
1973	H6 2.3L		N/A	N/A	N/A	
1973	H6 2.4L	E	N/A	N/A	N/A	
1973	H6 2.4L	S	N/A	N/A	N/A	
1973	H6 2.4L	T	N/A	N/A	N/A	
1972	H6 2.4L	E	N/A	N/A	N/A	
1972	H6 2.4L	S	N/A	N/A	N/A	
1972	H6 2.4L	T	N/A	N/A	N/A	
1971	H6 2.2L	Vin 1	N/A	N/A	N/A	
1971	H6 2.2L	Vin 2	N/A	N/A	N/A	
1971	H6 2.2L	Vin 3	N/A	N/A	N/A	
1970	H6 2.2L	E	N/A	N/A	N/A	
1970	H6 2.2L	S	N/A	N/A	N/A	
1970	H6 2.2L	T	N/A	N/A	N/A	
1969	H6 2.0L		N/A	N/A	N/A	
1968	H6 2.0L		N/A	N/A	N/A	
1967-65	H6 2.0L		N/A	N/A	N/A	
<b>912</b>						
1976	H4 2.0L		N/A	N/A	N/A	
1969-65	H4 1.6L		N/A	N/A	N/A	
<b>914</b>						
1976	H4 2.0L		11IR6	3734	37344	0.032
1975-74	H4 1.8L		11IR6	3734	37344	0.032
1975-74	H4 2.0L		11IR6	3734	37344	0.032
1973	H4 1.7L		11IR6	3734	37344	0.032
1973	H4 2.0L		11IR6	3734	37344	0.032
1972-70	H4 1.7L		11IR6	3734	37344	0.032
1972-70	H6 2.0L		11IR6	3734	37344	0.032
<b>924</b>						
1988-87	L4 2.5L		N/A	N/A	N/A	
1982-77	L4 2.0L		N/A	N/A	N/A	
<b>928</b>						
1995-93	V8 5.4L		N/A	N/A	N/A	
1991-87	V8 5.0L		N/A	N/A	N/A	
1986-85	V8 5.0L		N/A	N/A	N/A	
1984-83	V8 4.7L		N/A	N/A	N/A	
1982-78	V8 4.5L		11IR5Y	3733	37334	0.035

\* Short Style 6 Series - PN 3741 (single), PN 37414 (4pk) - Pre-gapped 0.035  
 \* Short Style 7 Series - PN 3742 (single), PN 37424 (4pk) - Pre-gapped 0.035



## Porsche 930

Make Model Year	Engine Size	Notes:	Plug Type	MSD PN Single	MSD PN 4-Pack	Pre-Gap Setting**
<b>930</b>						
1979-78	H6 3.3L		N/A	N/A	N/A	
<b>944</b>						
1991	L4 3.0L		N/A	N/A	N/A	
1990	L4 3.0L	Turbo	N/A	N/A	N/A	
1989	L4 2.5L		N/A	N/A	N/A	
1989	L4 2.7L		N/A	N/A	N/A	
1989	L4 3.0L		N/A	N/A	N/A	
1988-87	L4 2.5L	Naturally Aspirated, 8Valves	N/A	N/A	N/A	
1988-87	L4 2.5L	Turbo	N/A	N/A	N/A	
1986-85	L4 2.5L		N/A	N/A	N/A	
1984-83	L4 2.5L		11IR5Y	3733	37334	0.035
<b>968</b>						
1995-92	L4 3.0L		N/A	N/A	N/A	
<b>Boxster</b>						
2008	H6 2.7L		N/A	N/A	N/A	
2008	H6 3.4L		N/A	N/A	N/A	
2007	H6 2.7L	6 CPBs Req	N/A	N/A	N/A	
2007	H6 3.4L	6 CPBs Req	N/A	N/A	N/A	
2006	H6 2.7L	6 CPBs Req	N/A	N/A	N/A	
2006	H6 3.2L	6 CPBs Req	N/A	N/A	N/A	
2005-03	H6 2.7L	6 CPBs Req	7IR6Y *	3727	37274	0.043
2005-03	H6 3.2L	6 CPBs Req	7IR6Y *	3727	37274	0.043
2002-01	H6 2.7L	6 CPBs Req	7IR6Y *	3727	37274	0.043
2002-01	H6 3.2L	6 CPBs Req	7IR6Y *	3727	37274	0.043
2000	H6 2.7L	6 CPBs Req	7IR6Y *	3727	37274	0.043
2000	H6 3.2L	6 CPBs Req	7IR6Y *	3727	37274	0.043
1999-97	H6 2.5L	6 CPBs Req	7IR6Y *	3727	37274	0.043
<b>Carrera</b>						
1959-58	H4 1.6L		13IR6Y	3736	37364	0.032
<b>Carrera GT</b>						
2005-04	V10 5.7L		7IR6Y *	3727	37274	0.043
<b>Cayenne</b>						
2011-08	V6 3.6L		N/A	N/A	N/A	
2006-04	V6 3.2L		N/A	N/A	N/A	
2006-04	V8 4.5L	Naturally Aspirated, 8 CPBs Req	7IR6Y *	3727	37274	0.043
2006-04	V8 4.5L	Turbo, 8 CPBs Req	N/A	N/A	N/A	
2003	V8 4.5L	Naturally Aspirated, 8 CPBs Req	7IR6Y *	3727	37274	0.043
2003	V8 4.5L	Turbo, 8 CPBs Req	N/A	N/A	N/A	
<b>Cayman</b>						
2008	H6 2.7L		N/A	N/A	N/A	
2008	H6 3.4L		N/A	N/A	N/A	
2007	H6 2.7L	6 CPBs Req	N/A	N/A	N/A	
2007	H6 3.4L	6 CPBs Req	N/A	N/A	N/A	
2006	H6 3.4L	6 CPBs Req	N/A	N/A	N/A	
<b>Ram</b>						
<b>1500</b>						
2011	V6 3.7L		7IR6L	3726	37264	0.032
2011	V8 5.7L		9IR5L	3729	37294	0.040
<b>2500</b>						
2011	V8 5.7L		9IR5L	3729	37294	0.040
<b>3500</b>						
2011	V8 5.7L		9IR5L	3729	37294	0.040
<b>Dakota</b>						
2011	V6 3.7L		7IR6L	3726	37264	0.032
<b>Renault</b>						
<b>Alliance</b>						
1987	L4 1.4L		11IR5Y	3733	37334	0.035
1987	L4 1.7L		N/A	N/A	N/A	
1987	L4 2.0L		N/A	N/A	N/A	
1986-85	L4 1.4L		11IR5Y	3733	37334	0.035
1986-85	L4 1.7L		N/A	N/A	N/A	
1984-83	L4 1.4L		11IR5Y	3733	37334	0.035

Make Model Year	Engine Size	Notes:	Plug Type	MSD PN Single	MSD PN 4-Pack	Pre-Gap Setting**
<b>Encore</b>						
1986-85	L4 1.4L		11IR5Y	3733	37334	0.035
1986-85	L4 1.7L		N/A	N/A	N/A	
1984	L4 1.4L		11IR5Y	3733	37334	0.035
<b>Fuego</b>						
1985	L4 2.2L		1IR5Y	3713	37134	0.043
1984	L4 1.6L		N/A	N/A	N/A	
1984	L4 2.2L		1IR5Y	3713	37134	0.043
1983-82	L4 1.6L	Naturally Aspirated	N/A	N/A	N/A	
1983-82	L4 1.6L	Turbo	N/A	N/A	N/A	
<b>LeCar</b>						
1985	L4 2.2L		11IR5Y	3733	37334	0.035
1984	L4 1.4L		11IR5Y	3733	37334	0.035
1984	L4 2.2L		11IR5Y	3733	37334	0.035
1983-80	L4 1.4L		11IR5Y	3733	37334	0.035
1979	L4 1.3L		13IR5Y	3735	37354	0.032
1978-77	L4 1.3L	California	13IR5Y	3735	37354	0.032
1978-77	L4 1.3L	Non-California	13IR6Y	3736	37364	0.032
<b>R5</b>						
1986	L4 2.2L		N/A	N/A	N/A	
1976	L4 1.3L		13IR6Y	3736	37364	0.032
<b>R8</b>						
1966-64	L4 1.0L		13IR6Y	3736	37364	0.032
1966-64	L4 1.1L		13IR6Y	3736	37364	0.032
1963	L4 1.0L		13IR6Y	3736	37364	0.032
<b>R10</b>						
1971-70	L4 1.3L		13IR5Y	3735	37354	0.032
1969-68	L4 1.3L		13IR6Y	3736	37364	0.032
1967	L4 1.1L		13IR6Y	3736	37364	0.032
<b>R12</b>						
1977-75	L4 1.6L		N/A	N/A	N/A	
1974-71	L4 1.6L		11IR6	3734	37344	0.032
<b>R15</b>						
1976-75	L4 1.6L		N/A	N/A	N/A	
1974-72	L4 1.6L		11IR6	3734	37344	0.032
<b>R16</b>						
1972-69	L4 1.6L		11IR6	3734	37344	0.032
<b>R17</b>						
1979-75	L4 1.6L		N/A	N/A	N/A	
1974	L4 1.6L		11IR6	3734	37344	0.032
1974	L4 1.6L		N/A	N/A	N/A	
1973	L4 1.6L	CARB	N/A	N/A	N/A	
1972	L4 1.6L		11IR6	3734	37344	0.032
<b>R18</b>						
1981	L4 1.6L		N/A	N/A	N/A	
<b>R18i</b>						
1986-84	L4 2.2L		11IR5Y	3713	37134	0.043
1983-81	L4 1.6L		N/A	N/A	N/A	
<b>Rolls Royce</b>						
<b>Camargue</b>						
1987-77	V8 6.7L		11IR5Y	3733	37334	0.035
1976-75	V8 6.8L		11IR5Y	3733	37334	0.035
<b>Corniche</b>						
2002	V8 6.8L		11IR5Y	3733	37334	0.035
2001	V8 6.8L		7IR4Y	3724	37244	0.040
2000	V8 6.7L		7IR5Y	3725	37254	0.040
1985-84	V8 6.7L		11IR5Y	3733	37334	0.035
1983-77	V8 6.7L		11IR5Y	3733	37334	0.035
1976-75	V8 6.8L		11IR5Y	3733	37334	0.035
1974-71	V8 6.2L		11IR5Y	3733	37334	0.035
1974-71	V8 6.8L		11IR5Y	3733	37334	0.035
<b>Corniche II</b>						
1992-88	V8 6.7L		11IR5Y	3733	37334	0.035
1987-86	V8 6.7L		11IR5Y	3733	37334	0.035





Make Model Year	Engine Size	Notes:	Plug Type	MSD PN Single	MSD PN 4-Pack	Pre-Gap Setting**
<b>Corniche IV</b>						
1995-94	V8 6.7L		7IR5Y	3725	37254	0.040
1993	V8 6.7L		11IR5Y	3733	37334	0.035
<b>Corniche S</b>						
1995	V8 6.7L		7IR5Y	3725	37254	0.040
<b>Flying Spur</b>						
1995	V8 6.7L		7IR5Y	3725	37254	0.040
<b>Park Ward</b>						
2002	V12 5.4L		7IR6Y *	3727	37274	0.043
<b>Phantom</b>						
2005-04	V12 6.7L		7IR6Y *	3727	37274	0.043
1967-60	V8 6.2L		11IR5Y	3733	37334	0.035
<b>Silver Cloud</b>						
1965-59	V8 6.2L		11IR5Y	3733	37334	0.035
1958-57	L6 4.9L		11IR5Y	3733	37334	0.035
1956-55	L6 4.9L		11IR6	3734	37344	0.032
<b>Silver Dawn</b>						
1997-96	V8 6.7L		11IR5Y	3733	37334	0.035
1995	V8 6.7L		7IR5Y	3725	37254	0.040
<b>Silver Seraph</b>						
2002-99	V12 5.4L		7IR6Y *	3727	37274	0.043
<b>Silver Shadow</b>						
1976-75	V8 6.8L		11IR5Y	3733	37334	0.035
1974-70	V8 6.2L		11IR5Y	3733	37334	0.035
1974-70	V8 6.8L		11IR5Y	3733	37334	0.035
1969-66	V8 6.2L		11IR5Y	3733	37334	0.035
<b>Silver Shadow II</b>						
1980-77	V8 6.7L		11IR5Y	3733	37334	0.035
<b>Silver Spirit</b>						
1995-94	V8 6.7L		7IR5Y	3725	37254	0.040
1993	V8 6.7L		11IR5Y	3733	37334	0.035
1992	V8 6.7L		11IR5Y	3733	37334	0.035
1991-88	V8 6.7L		11IR5Y	3733	37334	0.035
1987-84	V8 6.7L		11IR5Y	3733	37334	0.035
1983-81	V8 6.7L		11IR5Y	3733	37334	0.035
<b>Silver Spur</b>						
1998	V8 6.7L		7IR5Y	3725	37254	0.040
1997	V8 6.7L		11IR5Y	3733	37334	0.035
1996-94	V8 6.7L		7IR5Y	3725	37254	0.040
1993-88	V8 6.7L		11IR5Y	3733	37334	0.035
1987-84	V8 6.7L		11IR5Y	3733	37334	0.035
1983-81	V8 6.7L		11IR5Y	3733	37334	0.035
<b>Silver Wraith</b>						
1958-55	L6 4.9L		11IR5Y	3733	37334	0.035
<b>Silver Wraith II</b>						
1980-77	V8 6.7L		11IR5Y	3733	37334	0.035
<b>Touring Limousine</b>						
1994	V8 6.7L		7IR5Y	3725	37254	0.040
<b>Rover</b>						
<b>2000</b>						
1971-68	L4 2.0L		1IR6Y	3714	37144	0.043
<b>3500</b>						
1980	V8 3.5L		N/A	N/A	N/A	
<b>3500S</b>						
1971-69	V8 3.5L		13IR5Y	3735	37354	0.032
<b>Saab</b>						
<b>9-2X</b>						
2006	H4 2.5L Turbo		N/A	N/A	N/A	
2006	H4 2.5L Naturally Aspirated		7IR5Y	3725	37254	0.040
2005	H4 2.0L		7IR6Y *	3727	37274	0.043
2005	H4 2.5L		7IR5Y	3725	37254	0.040

Make Model Year	Engine Size	Notes:	Plug Type	MSD PN Single	MSD PN 4-Pack	Pre-Gap Setting**
<b>9-3</b>						
2011-10	L4 2.0L		7IR6Y *	3727	37274	0.043
2009-06	L4 2.0L		7IR6Y *	3727	37274	0.043
2009-06	V6 2.8L		N/A	N/A	N/A	
2005-04	L4 2.0L		7IR6Y *	3727	37274	0.043
2003	L4 2.0L	Eng B205R	7IR6Y *	3727	37274	0.043
2003	L4 2.0L	Eng B207L	7IR6Y *	3727	37274	0.043
2003	L4 2.0L	Eng B207R	7IR6Y *	3727	37274	0.043
2002	L4 2.0L		7IR6Y *	3727	37274	0.043
2002	L4 2.3L		7IR6Y *	3727	37274	0.043
2001	L4 2.0L		7IR6Y *	3727	37274	0.043
2001	L4 2.3L		7IR6Y *	3727	37274	0.043
1999	L4 2.0L		N/A	N/A	N/A	
1999	L4 2.3L		7IR6Y *	3727	37274	0.043
<b>9-3X</b>						
2010	L4 2.0L		7IR6Y *	3727	37274	0.043
<b>9-5</b>						
2011	L4 2.0L		5IR5Y	3719	37194	0.040
2009-08	L4 2.3L		7IR6Y *	3727	37274	0.043
2007-06	L4 2.3L		7IR6Y *	3727	37274	0.043
2005-04	L4 2.3L	Eng B235E	7IR6Y *	3727	37274	0.043
2005-04	L4 2.3L	Eng B235L	7IR6Y *	3727	37274	0.043
2005-04	L4 2.3L	Eng B235R	7IR6Y *	3727	37274	0.043
2003	L4 2.3L	Eng B235E	7IR6Y *	3727	37274	0.043
2003	L4 2.3L	Eng B235R	7IR6Y *	3727	37274	0.043
2003	V6 3.0L		N/A	N/A	N/A	
1999	L4 2.3L		7IR6Y *	3727	37274	0.043
1999	V6 3.0L		N/A	N/A	N/A	
<b>9-7x</b>						
2009-08	L6 4.2L		5IR5Y	3719	37194	0.040
2009-08	V8 5.3L		1IR5L	3712	37124	0.047
2009-08	V8 6.0L		1IR5L	3712	37124	0.047
2007-06	L6 4.2L		5IR5Y	3719	37194	0.040
2007-06	V8 5.3L		1IR5L	3712	37124	0.047
2005	L6 4.2L	6 CPBs Req	5IR5Y	3719	37194	0.040
2005	V8 5.3L		1IR5L	3712	37124	0.047
<b>95</b>						
1973-71	V4 1.7L		N/A	N/A	N/A	
1970-69	V4 1.5L		N/A	N/A	N/A	
1968	V4 1.5L	1/2" REACH	13IR6Y	3736	37364	0.032
1968	V4 1.5L	3/4" Reach	N/A	N/A	N/A	
<b>96</b>						
1973-71	V4 1.7L		N/A	N/A	N/A	
1970-69	V4 1.5L		N/A	N/A	N/A	
1968-67	V4 1.5L	1/2" REACH	13IR6Y	3736	37364	0.032
1968-67	V4 1.5L	3/4" Reach	N/A	N/A	N/A	
<b>99</b>						
1980-74	L4 2.0L		N/A	N/A	N/A	
1973	L4 2.0L	FI	N/A	N/A	N/A	
1972	L4 1.9L		N/A	N/A	N/A	
1972	L4 2.0L		N/A	N/A	N/A	
1971	L4 1.7L		N/A	N/A	N/A	
1971	L4 1.9L		N/A	N/A	N/A	
1970-69	L4 1.7L		N/A	N/A	N/A	
<b>900</b>						
1998	L4 2.0L		N/A	N/A	N/A	
1998	L4 2.3L		7IR6Y *	3727	37274	0.043
1997	L4 2.0L		N/A	N/A	N/A	
1997	L4 2.3L		7IR6Y *	3727	37274	0.043
1997	V6 2.5L		7IR6Y *	3727	37274	0.043
1996-95	L4 2.0L		N/A	N/A	N/A	
1996-95	L4 2.3L		7IR6Y *	3727	37274	0.043
1996-95	V6 2.5L		7IR6Y *	3727	37274	0.043
1994	L4 2.0L	Eng B202L, City Driving	7IR6Y *	3727	37274	0.043
1994	L4 2.0L	Eng B202L, Hard Driving	N/A	N/A	N/A	

CPB's = Coil Plug Boots  
 \*\* Pre-gapped for optimal performance.

\* Short Style 6 Series - PN 3741 (single), PN 37414 (4pk) - Pre-gapped 0.035  
 \* Short Style 7 Series - PN 3742 (single), PN 37424 (4pk) - Pre-gapped 0.035

R  
S



**Saab 900 continued**

Make Model Year	Engine Size	Notes:	Plug Type	MSD PN Single	MSD PN 4-Pack	Pre-Gap Setting**
1994	L4 2.0L	Eng B202R, City Driving	71R6Y *	3727	37274	0.043
1994	L4 2.0L	Eng B202R, Hard Driving	N/A	N/A	N/A	
1994	L4 2.0L	Eng B204L	N/A	N/A	N/A	
1994	L4 2.1L		71R5Y	3725	37254	0.040
1994	L4 2.3L		71R6Y *	3727	37274	0.043
1994	V6 2.5L	SE	71R6Y *	3727	37274	0.043
1993	L4 2.0L	Eng B202L, City Driving	71R6Y *	3727	37274	0.043
1993	L4 2.0L	Eng B202L, Hard Driving	N/A	N/A	N/A	
1993	L4 2.0L	Eng B202R, City Driving	71R6Y *	3727	37274	0.043
1993	L4 2.0L	Eng B202R, Hard Driving	N/A	N/A	N/A	
1993	L4 2.1L		71R5Y	3725	37254	0.040
1992	L4 2.0L	City Driving	71R6Y *	3727	37274	0.043
1992	L4 2.0L	Hard Driving	N/A	N/A	N/A	
1992	L4 2.1L		71R5Y	3725	37254	0.040
1991	L4 2.0L	City Driving	71R6Y *	3727	37274	0.043
1991	L4 2.0L	Hard Driving	N/A	N/A	N/A	
1991	L4 2.1L		71R5Y	3725	37254	0.040
1990	L4 2.0L	Eng B202L, City Driving	71R6Y *	3727	37274	0.043
1990	L4 2.0L	Eng B202L, Hard Driving	N/A	N/A	N/A	
1990	L4 2.0L	Eng B202L, City Driving	71R6Y *	3727	37274	0.043
1990	L4 2.0L	Eng B202L, Hard Driving	N/A	N/A	N/A	
1989	L4 2.0L		71R6Y *	3727	37274	0.043
1988	L4 2.0L	Eng B2011, City Driving, 8Valves	71R6Y *	3727	37274	0.043
1988	L4 2.0L	Eng B2011, Hard Driving, 8Valves	N/A	N/A	N/A	
1988	L4 2.0L	Eng B202L, City Driving, 16Valves	71R6Y *	3727	37274	0.043
1988	L4 2.0L	Eng B202L, Hard Driving, 16Valves	N/A	N/A	N/A	
1987	L4 2.0L	Vin D, Eng B2011, 8Valves	71R6Y *	3727	37274	0.043
1987	L4 2.0L	Vin D, Eng B202L, 16Valves	71R6Y *	3727	37274	0.043
1987	L4 2.0L	Vin D, Eng B202L, 16Valves	71R6Y *	3727	37274	0.043
1987	L4 2.0L	Vin J, City Driving, Eng B2011, 8Valve	71R6Y *	3727	37274	0.043
1987	L4 2.0L	Vin J, City Driving, Eng B202L, 16Valve	71R6Y *	3727	37274	0.043
1987	L4 2.0L	Vin J, City Driving, Eng B202L, 16Valve	71R6Y *	3727	37274	0.043
1987	L4 2.0L	Vin J, Hard Driving, Eng B2011, 8Valves	N/A	N/A	N/A	
1987	L4 2.0L	Vin J, Hard Driving, Eng B202L, 16Valve	N/A	N/A	N/A	
1987	L4 2.0L	Vin J, Hard Driving, Eng B202L, 16Valve	N/A	N/A	N/A	
1987	L4 2.0L	Vin L, City Driving, Eng B2011, 8Valve	71R6Y *	3727	37274	0.043
1987	L4 2.0L	Vin L, City Driving, Eng B202L, 16Valve	71R6Y *	3727	37274	0.043
1987	L4 2.0L	Vin L, City Driving, Eng B202L, 16Valve	71R6Y *	3727	37274	0.043
1987	L4 2.0L	Vin L, Hard Driving, Eng B2011, 8Valve	N/A	N/A	N/A	
1987	L4 2.0L	Vin L, Hard Driving, Eng B202L, 16Valve	N/A	N/A	N/A	
1987	L4 2.0L	Vin L, Hard Driving, Eng B202L, 16Valve	N/A	N/A	N/A	
1986	L4 2.0L	Eng B2011, City Driving, 8Valves	71R6Y *	3727	37274	0.043
1986	L4 2.0L	Eng B2011, Hard Driving, 8Valves	N/A	N/A	N/A	
1986	L4 2.0L	Eng B202L, 16Valves	N/A	N/A	N/A	
1986	L4 2.0L	Eng B202L, City Driving, 16Valves	71R6Y *	3727	37274	0.043
1986	L4 2.0L	Eng B202L, Hard Driving, 16Valves	N/A	N/A	N/A	
1985	L4 2.0L	Eng B2011, City Driving, 8Valves	71R6Y *	3727	37274	0.043
1985	L4 2.0L	Eng B2011, Hard Driving, 8Valves	N/A	N/A	N/A	
1985	L4 2.0L	Eng B202L, City Driving, 16Valves	71R6Y *	3727	37274	0.043
1985	L4 2.0L	Eng B202L, Hard Driving, 16Valves	N/A	N/A	N/A	
1984-81	L4 2.0L		N/A	N/A	N/A	
1980-79	L4 2.0L		N/A	N/A	N/A	
<b>9000</b>						
1998	L4 2.3L		N/A	N/A	N/A	
1997-95	L4 2.3L		N/A	N/A	N/A	
1997-95	V6 3.0L		71R6Y *	3727	37274	0.043
1994-93	L4 2.3L	Naturally Aspirated	71R6Y *	3727	37274	0.043
1994-93	L4 2.3L	Turbo	N/A	N/A	N/A	
1992-91	L4 2.3L	Naturally Aspirated	71R6Y *	3727	37274	0.043
1992-91	L4 2.3L	Turbo	N/A	N/A	N/A	
1990	L4 2.0L	Naturally Aspirated	N/A	N/A	N/A	
1990	L4 2.0L	Naturally Aspirated, City Driving	71R6Y *	3727	37274	0.043
1990	L4 2.0L	Naturally Aspirated, Hard Driving	N/A	N/A	N/A	
1990	L4 2.3L		N/A	N/A	N/A	
1989-87	L4 2.0L	Eng B202L, City Driving	71R6Y *	3727	37274	0.043
1989-87	L4 2.0L	Eng B202L, Hard Driving	N/A	N/A	N/A	

Make Model Year	Engine Size	Notes:	Plug Type	MSD PN Single	MSD PN 4-Pack	Pre-Gap Setting**
1989-87	L4 2.0L	Eng B202L, City Driving	71R6Y *	3727	37274	0.043
1989-87	L4 2.0L	Eng B202L, Hard Driving	N/A	N/A	N/A	
1986	L4 2.0L	City Driving	71R6Y *	3727	37274	0.043
1986	L4 2.0L	Hard Driving	N/A	N/A	N/A	
<b>Monte Carlo</b>						
1967	V4 1.5L	1/2" REACH	131R6Y	3736	37364	0.032
1967	V4 1.5L	3/4" Reach	N/A	N/A	N/A	
<b>Sonett</b>						
1974-70	V4 1.7L		N/A	N/A	N/A	
1969-68	V4 1.5L		N/A	N/A	N/A	
<b>Saturn</b>						
<b>Aura</b>						
2009	L4 2.4L		51R5Y	3719	37194	0.040
2009	V6 3.6L		51R6Y	3743	37434	0.032
2008-07	L4 2.4L		51R5Y	3719	37194	0.040
2008-07	V6 3.5L		N/A	N/A	N/A	
2008-07	V6 3.6L		51R6Y	3743	37434	0.032
<b>Ion</b>						
2007-04	L4 2.0L		51R5Y	3719	37194	0.040
<b>Ion-1</b>						
2005-04	L4 2.2L	4 CPBs Req	51R5Y	3719	37194	0.040
2003	L4 2.2L	4 CPBs Req	51R5Y	3719	37194	0.040
<b>Ion-2</b>						
2007	L4 2.2L		51R5Y	3719	37194	0.040
2006	L4 2.2L	4 CPBs Req	51R5Y	3719	37194	0.040
2005	L4 2.2L	4 CPBs Req	51R5Y	3719	37194	0.040
2004	L4 2.2L	4 CPBs Req	51R5Y	3719	37194	0.040
2003	L4 2.2L	4 CPBs Req	51R5Y	3719	37194	0.040
<b>Ion-3</b>						
2007	L4 2.2L		51R5Y	3719	37194	0.040
2007	L4 2.4L		51R5Y	3719	37194	0.040
2006	L4 2.2L	4 CPBs Req	51R5Y	3719	37194	0.040
2006	L4 2.4L		51R5Y	3719	37194	0.040
2005	L4 2.2L	4 CPBs Req	51R5Y	3719	37194	0.040
2004-03	L4 2.2L	4 CPBs Req	51R5Y	3719	37194	0.040
<b>L100</b>						
2002-01	L4 2.2L	4 CPBs Req	51R5Y	3719	37194	0.040
<b>L200</b>						
2003-01	L4 2.2L	4 CPBs Req	51R5Y	3719	37194	0.040
<b>L300</b>						
2005	V6 3.0L		71R5Y	3725	37254	0.040
2003-01	V6 3.0L		71R5Y	3725	37254	0.040
<b>L300-1</b>						
2004	L4 2.2L	4 CPBs Req	51R5Y	3719	37194	0.040
<b>L300-2</b>						
2004	V6 3.0L		71R5Y	3725	37254	0.040
<b>LS</b>						
2000	L4 2.2L	4 CPBs Req	51R5Y	3719	37194	0.040
<b>LS1</b>						
2000	L4 2.2L	4 CPBs Req	51R5Y	3719	37194	0.040
<b>LS2</b>						
2000	V6 3.0L		71R5Y	3725	37254	0.040
<b>LW1</b>						
2000	L4 2.2L	4 CPBs Req	51R5Y	3719	37194	0.040
<b>LW2</b>						
2000	V6 3.0L		71R5Y	3725	37254	0.040
<b>LW200</b>						
2003-01	L4 2.2L	4 CPBs Req	51R5Y	3719	37194	0.040
<b>LW300</b>						
2003-01	V6 3.0L		71R5Y	3725	37254	0.040
<b>Outlook</b>						
2010-07	V6 3.6L		51R6Y	3743	37434	0.032
<b>Relay-1</b>						
2007	V6 3.9L		N/A	N/A	N/A	

**150** \* Short Style 6 Series - PN 3741 (single), PN 37414 (4pk) - Pre-gapped 0.035  
 \* Short Style 7 Series - PN 3742 (single), PN 37424 (4pk) - Pre-gapped 0.035

CPB's = Coil Plug Boots  
 \*\* Pre-gapped for optimal performance.



Make Model Year	Engine Size	Notes:	Plug Type	MSD PN Single	MSD PN 4-Pack	Pre-Gap Setting**
<b>Relay-2</b>						
2007	V6 3.9L		N/A	N/A	N/A	
2006-05	V6 3.5L		N/A	N/A	N/A	
<b>Relay-3</b>						
2007	V6 3.9L		N/A	N/A	N/A	
2006	V6 3.5L		N/A	N/A	N/A	
2006	V6 3.9L		N/A	N/A	N/A	
2005	V6 3.5L		N/A	N/A	N/A	
<b>SC</b>						
1992-91	L4 1.9L		71R5Y	3725	37254	0.040
<b>SC1</b>						
1998	L4 1.9L	Vin 8	71R4Y	3724	37244	0.040
<b>SC2</b>						
2002-99	L4 1.9L	Vin 7	71R5Y	3725	37254	0.040
1997-93	L4 1.9L	Vin 7	71R5Y	3725	37254	0.040
<b>Sky</b>						
2010-09	L4 2.0L		51R5Y	3719	37194	0.040
2010-09	L4 2.4L		51R5Y	3719	37194	0.040
2008-07	L4 2.0L		51R5Y	3719	37194	0.040
2008-07	L4 2.4L		51R5Y	3719	37194	0.040
<b>SL</b>						
1998-95	L4 1.9L	Vin 8	71R4Y	3724	37244	0.040
1994-93	L4 1.9L	Vin 9	71R4Y	3724	37244	0.040
<b>SL2</b>						
2002-99	L4 1.9L	Vin 7	71R5Y	3725	37254	0.040
1992-91	L4 1.9L	Vin 7	71R5Y	3725	37254	0.040
<b>SW1</b>						
1998-95	L4 1.9L	Vin 8	71R4Y	3724	37244	0.040
1994-93	L4 1.9L	Vin 9	71R4Y	3724	37244	0.040
<b>SW2</b>						
2001	L4 1.9L		71R5Y	3725	37254	0.040
1999	L4 1.9L	Vin 7	71R5Y	3725	37254	0.040
<b>Vue</b>						
2010	L4 2.4L		51R5Y	3719	37194	0.040
2010	V6 3.5L		N/A	N/A	N/A	
2009-08	L4 2.4L		51R5Y	3719	37194	0.040
2009-08	V6 3.5L		N/A	N/A	N/A	
2009-08	V6 3.6L		51R6Y	3743	37434	0.032
2007	L4 2.2L		51R5Y	3719	37194	0.040
2007	L4 2.4L		51R5Y	3719	37194	0.040
2007	V6 3.5L		N/A	N/A	N/A	
2006-04	L4 2.2L	4 CPBs Req	51R5Y	3719	37194	0.040
2006-04	V6 3.5L		N/A	N/A	N/A	
2003	L4 2.2L	4 CPBs Req	51R5Y	3719	37194	0.040
2003	V6 3.0L		71R5Y	3725	37254	0.040
2002	L4 2.2L	4 CPBs Req	51R5Y	3719	37194	0.040
2002	V6 3.0L		71R5Y	3725	37254	0.040
<b>Scion</b>						
<b>tC</b>						
2011	L4 2.5L		91R5Y	3730	37304	0.040
2010	L4 2.4L		71R6Y *	3727	37274	0.043
2009-05	L4 2.4L		71R6Y *	3727	37274	0.043
<b>xA</b>						
2006-04	L4 1.5L		71R5Y	3725	37254	0.040
<b>xB</b>						
2012-10	L4 2.4L		71R6Y *	3727	37274	0.043
2009-08	L4 2.4L		71R6Y *	3727	37274	0.043
2006-04	L4 1.5L		71R5Y	3725	37254	0.040
<b>xD</b>						
2010-08	L4 1.8L		N/A	N/A	N/A	

CPB's = Coil Plug Boots  
 \*\* Pre-gapped for optimal performance.

Make Model Year	Engine Size	Notes:	Plug Type	MSD PN Single	MSD PN 4-Pack	Pre-Gap Setting**
<b>Smart</b>						
<b>Fortwo</b>						
2011-08	L3 1.0L		N/A	N/A	N/A	
<b>Sterling</b>						
<b>825</b>						
1988-87	V6 2.5L		71R6Y *	3727	37274	0.043
<b>827</b>						
1991-89	V6 2.7L		71R6Y *	3727	37274	0.043
<b>Subaru</b>						
<b>360</b>						
1970-58	L2 0.4L		N/A	N/A	N/A	
<b>B9 Tribeca</b>						
2007	H6 3.0L		N/A	N/A	N/A	
2006	H6 3.0L		N/A	N/A	N/A	
<b>Baja</b>						
2006-04	H4 2.5L	Turbo	N/A	N/A	N/A	
2006-04	H4 2.5L	Naturally Aspirated	71R5Y	3725	37254	0.040
2003	H4 2.5L		71R5Y	3725	37254	0.040
<b>Brat</b>						
1987-84	H4 1.8L		N/A	N/A	N/A	
1983	H4 1.8L	Naturally Aspirated	N/A	N/A	N/A	
1983	H4 1.8L	Turbo	N/A	N/A	N/A	
1982-81	H4 1.8L		N/A	N/A	N/A	
1980	H4 1.6L		N/A	N/A	N/A	
1980	H4 1.8L		N/A	N/A	N/A	
1979-78	H4 1.6L		N/A	N/A	N/A	
<b>Deluxe</b>						
1972	H4 1.3L		N/A	N/A	N/A	
<b>DL</b>						
1989-88	H4 1.8L		N/A	N/A	N/A	
1989-88	H4 1.8L	4Doors CARB	N/A	N/A	N/A	
1989-88	H4 1.8L	FI	N/A	N/A	N/A	
1986-85	H4 1.8L		N/A	N/A	N/A	
1984-81	H4 1.6L		N/A	N/A	N/A	
1984-81	H4 1.8L		N/A	N/A	N/A	
1980	H4 1.6L	Vin 2	N/A	N/A	N/A	
1980	H4 1.6L	Vin 3	N/A	N/A	N/A	
1980	H4 1.8L		N/A	N/A	N/A	
1979-77	H4 1.6L		N/A	N/A	N/A	
1976	H4 1.4L		N/A	N/A	N/A	
1976	H4 1.6L		N/A	N/A	N/A	
1975-74	H4 1.4L		N/A	N/A	N/A	
<b>FE</b>						
1979	H4 1.6L		N/A	N/A	N/A	
<b>Forester</b>						
2010	H4 2.5L	Naturally Aspirated	71R5Y	3725	37254	0.040
2009	H4 2.5L	Naturally Aspirated	71R5Y	3725	37254	0.040
2008-07	H4 2.5L	Turbo	N/A	N/A	N/A	
2008-07	H4 2.5L	Naturally Aspirated	71R5Y	3725	37254	0.040
2006	H4 2.5L	Eng EJ253, Naturally Aspirated	71R5Y	3725	37254	0.040
2006	H4 2.5L	Eng EJ255, Naturally Aspirated	N/A	N/A	N/A	
2005	H4 2.5L	Turbo	N/A	N/A	N/A	
2005	H4 2.5L	Naturally Aspirated	71R5Y	3725	37254	0.040
2004	H4 2.5L	Eng EJ251, Naturally Aspirated	71R5Y	3725	37254	0.040
2004	H4 2.5L	Eng EJ255, Naturally Aspirated	N/A	N/A	N/A	
2003-99	H4 2.5L		71R5Y	3725	37254	0.040
1998	H4 2.5L		71R5Y	3725	37254	0.040
<b>GF</b>						
1979-77	H4 1.6L		N/A	N/A	N/A	
1976	H4 1.4L		N/A	N/A	N/A	
1976	H4 1.6L		N/A	N/A	N/A	
1975	H4 1.4L	Naturally Aspirated	N/A	N/A	N/A	

\* Short Style 6 Series - PN 3741 (single), PN 37414 (4pk) - Pre-gapped 0.035  
 \* Short Style 7 Series - PN 3742 (single), PN 37424 (4pk) - Pre-gapped 0.035



## Subaru GL

Make Model Year	Engine Size	Notes:	Plug Type	MSD PN Single	MSD PN 4-Pack	Pre-Gap Setting**
<b>GL</b>						
1975	H4 1.8L	3Doors, CARB, Naturally Aspirated	N/A	N/A	N/A	
1975	H4 1.8L	4Doors, CARB, Naturally Aspirated	N/A	N/A	N/A	
1975	H4 1.8L	FI, Naturally Aspirated	N/A	N/A	N/A	
1975	H4 1.8L	Turbo	N/A	N/A	N/A	
1987	H4 1.6L		N/A	N/A	N/A	
1987	H4 1.8L	Naturally Aspirated 2Doors, CARB	N/A	N/A	N/A	
1987	H4 1.8L	Naturally Aspirated 4Doors, CARB	N/A	N/A	N/A	
1987	H4 1.8L	Naturally Aspirated, FI	N/A	N/A	N/A	
1986	H4 1.6L		N/A	N/A	N/A	
1986	H4 1.8L	2Doors CARB Naturally Aspirated	N/A	N/A	N/A	
1986	H4 1.8L	3Doors, CARB, Naturally Aspirated	N/A	N/A	N/A	
1986	H4 1.8L	4Doors, CARB, Naturally Aspirated	N/A	N/A	N/A	
1986	H4 1.8L	FI, Naturally Aspirated	N/A	N/A	N/A	
1986	H4 1.8L	Turbo	N/A	N/A	N/A	
1985	H4 1.8L	2Doors, Naturally Aspirated	N/A	N/A	N/A	
1985	H4 1.8L	4Doors, Naturally Aspirated	N/A	N/A	N/A	
1985	H4 1.8L	Turbo	N/A	N/A	N/A	
1984-83	H4 1.8L	Naturally Aspirated	N/A	N/A	N/A	
1984-83	H4 1.6L	Turbo	N/A	N/A	N/A	
1982-81	H4 1.8L		N/A	N/A	N/A	
1980	H4 1.6L		N/A	N/A	N/A	
1980	H4 1.8L		N/A	N/A	N/A	
1979	H4 1.6L		N/A	N/A	N/A	
1975-73	H4 1.4L		N/A	N/A	N/A	
1972	H4 1.3L		N/A	N/A	N/A	
<b>GL-10</b>						
1989-86	H4 1.8L	Naturally Aspirated	N/A	N/A	N/A	
1989-86	H4 1.8L	Turbo	N/A	N/A	N/A	
1985	H4 1.8L	Naturally Aspirated	N/A	N/A	N/A	
<b>GLF</b>						
1982-81	H4 1.8L		N/A	N/A	N/A	
1980	H4 1.6L		N/A	N/A	N/A	
1980	H4 1.8L		N/A	N/A	N/A	
<b>Impreza</b>						
2011	H4 2.5L	Eng EJ255	N/A	N/A	N/A	
2011	H4 2.5L	Eng EJ257	N/A	N/A	N/A	
2010-09	H4 2.5L	Naturally Aspirated	71R5Y	3725	37254	0.040
2010-09	H4 2.5L	Turbo	N/A	N/A	N/A	
2008	H4 2.5L	Turbo	N/A	N/A	N/A	
2008	H4 2.5L	Naturally Aspirated	71R5Y	3725	37254	0.040
2007	H4 2.5L	Turbo	N/A	N/A	N/A	
2007	H4 2.5L	Naturally Aspirated	71R5Y	3725	37254	0.040
2006	H4 2.5L	Turbo	N/A	N/A	N/A	
2006	H4 2.5L	Naturally Aspirated	71R5Y	3725	37254	0.040
2005	H4 2.0L		71R6Y *	3727	37274	0.043
2005	H4 2.5L	Turbo	N/A	N/A	N/A	
2005	H4 2.5L	Naturally Aspirated	71R5Y	3725	37254	0.040
2004	H4 2.0L		71R6Y *	3727	37274	0.043
2004	H4 2.5L	Turbo	N/A	N/A	N/A	
2004	H4 2.5L	Naturally Aspirated	71R5Y	3725	37254	0.040
2003-02	H4 2.0L		71R6Y *	3727	37274	0.043
2003-02	H4 2.5L		71R5Y	3725	37254	0.040
2001-99	H4 2.2L		71R5Y	3725	37254	0.040
2001-99	H4 2.5L		71R5Y	3725	37254	0.040
1998	H4 2.2L		71R5Y	3725	37254	0.040
1998	H4 2.5L		71R5Y	3725	37254	0.040
1997	H4 1.8L		71R6Y *	3727	37274	0.043
1997	H4 2.2L		71R5Y	3725	37254	0.040
1996-95	H4 1.8L		71R6Y *	3727	37274	0.043
1996-95	H4 2.2L		71R5Y	3725	37254	0.040
1994-93	H4 1.8L		71R6Y *	3727	37274	0.043

Make Model Year	Engine Size	Notes:	Plug Type	MSD PN Single	MSD PN 4-Pack	Pre-Gap Setting**
<b>Justy</b>						
1995	L3 1.2L		N/A	N/A	N/A	
1994-92	L3 1.2L		N/A	N/A	N/A	
1991	L3 1.2L	CARB	N/A	N/A	N/A	
1991	L3 1.2L	FI	N/A	N/A	N/A	
1990	L3 1.2L	CARB	N/A	N/A	N/A	
1990	L3 1.2L	FI	N/A	N/A	N/A	
1989-87	L3 1.2L		N/A	N/A	N/A	
<b>Legacy</b>						
2011-10	H4 2.5L	Naturally Aspirated	71R6Y *	3727	37274	0.043
2011-10	H4 2.5L	Turbo	N/A	N/A	N/A	
2011-10	H6 3.6L		N/A	N/A	N/A	
2009	H4 2.5L	Naturally Aspirated	71R5Y	3725	37254	0.040
2009	H4 2.5L	Turbo	N/A	N/A	N/A	
2009	H6 3.0L		N/A	N/A	N/A	
2008	H4 2.5L	Turbo	N/A	N/A	N/A	
2008	H4 2.5L	Naturally Aspirated	71R5Y	3725	37254	0.040
2008	H6 3.0L		N/A	N/A	N/A	
2007-06	H4 2.5L	Turbo	N/A	N/A	N/A	
2007-06	H4 2.5L	Naturally Aspirated	71R5Y	3725	37254	0.040
2005	H4 2.5L	Turbo	N/A	N/A	N/A	
2005	H4 2.5L	Naturally Aspirated Calif.	71R5Y	3725	37254	0.040
2005	H4 2.5L	Naturally Aspirated Exc. Calif.	71R5Y	3725	37254	0.040
2004	H4 2.5L	Calif.	71R5Y	3725	37254	0.040
2004	H4 2.5L	Exc. Calif.	71R5Y	3725	37254	0.040
2003	H4 2.5L		71R5Y	3725	37254	0.040
1999	H4 2.2L		71R5Y	3725	37254	0.040
1999	H4 2.5L		71R5Y	3725	37254	0.040
1998	H4 2.2L		71R5Y	3725	37254	0.040
1998	H4 2.5L		71R5Y	3725	37254	0.040
1997	H4 2.2L		71R5Y	3725	37254	0.040
1997	H4 2.5L	From 5/97	71R5Y	3725	37254	0.040
1997	H4 2.5L	To 4/97	71R5Y	3725	37254	0.040
1996	H4 2.2L		71R5Y	3725	37254	0.040
1996	H4 2.5L	From 6/96	71R5Y	3725	37254	0.040
1996	H4 2.5L	To 5/96	71R5Y	3725	37254	0.040
1995	H4 2.2L		71R5Y	3725	37254	0.040
1994-90	H4 2.2L		71R6Y *	3727	37274	0.043
<b>Loyale</b>						
1994-91	H4 1.8L		N/A	N/A	N/A	
1990	H4 1.8L	Naturally Aspirated	N/A	N/A	N/A	
1990	H4 1.8L	Turbo	N/A	N/A	N/A	
<b>Outback</b>						
2011-10	H4 2.5L		71R6Y *	3727	37274	0.043
2011-10	H6 3.6L		N/A	N/A	N/A	
2009	H4 2.5L	Naturally Aspirated	71R5Y	3725	37254	0.040
2009	H4 2.5L	Turbo	N/A	N/A	N/A	
2009	H6 3.0L		N/A	N/A	N/A	
2008-07	H4 2.5L	Turbo	N/A	N/A	N/A	
2008-07	H4 2.5L	Naturally Aspirated	71R5Y	3725	37254	0.040
2008-07	H6 3.0L		N/A	N/A	N/A	
2006	H4 2.5L	Turbo	N/A	N/A	N/A	
2006	H4 2.5L	Naturally Aspirated	71R5Y	3725	37254	0.040
2006	H6 3.0L		N/A	N/A	N/A	
2005	H4 2.5L	Turbo	N/A	N/A	N/A	
2005	H4 2.5L	Naturally Aspirated, Calif.	71R5Y	3725	37254	0.040
2005	H4 2.5L	Naturally Aspirated, Exc. Calif.	71R5Y	3725	37254	0.040
2005	H6 3.0L		N/A	N/A	N/A	
2004	H4 2.5L	Eng EJ253, Calif.	71R5Y	3725	37254	0.040
2004	H4 2.5L	Eng EJ253, Exc. Calif.	71R5Y	3725	37254	0.040
2004	H4 2.5L	Eng EJ259, Calif.	71R5Y	3725	37254	0.040
2004	H4 2.5L	Eng EJ259, Exc. Calif.	71R5Y	3725	37254	0.040
2004	H6 3.0L		N/A	N/A	N/A	
2003	H4 2.5L		71R5Y	3725	37254	0.040
2003	H6 3.0L		N/A	N/A	N/A	
2002-01	H4 2.5L		71R5Y	3725	37254	0.040
2002-01	H6 3.0L		N/A	N/A	N/A	
2000	H4 2.5L		71R5Y	3725	37254	0.040

152 \* Short Style 6 Series - PN 3741 (single), PN 37414 (4pk) - Pre-gapped 0.035  
 \* Short Style 7 Series - PN 3742 (single), PN 37424 (4pk) - Pre-gapped 0.035

CPB's = Coil Plug Boots  
 \*\* Pre-gapped for optimal performance.





Make Model Year	Engine Size	Notes:	Plug Type	MSD PN Single	MSD PN 4-Pack	Pre-Gap Setting**
<b>RX</b>						
1989-86	H4 1.8L		N/A	N/A	N/A	
<b>Standard</b>						
1987	H4 1.6L		N/A	N/A	N/A	
1987	H4 1.8L	2Doors	N/A	N/A	N/A	
1986-83	H4 1.6L		N/A	N/A	N/A	
1982-81	H4 1.6L		N/A	N/A	N/A	
1982-81	H4 1.8L		N/A	N/A	N/A	
1980	H4 1.6L	Vin 2	N/A	N/A	N/A	
1980	H4 1.6L	Vin 3	N/A	N/A	N/A	
1979-77	H4 1.6L		N/A	N/A	N/A	
1976	H4 1.4L		N/A	N/A	N/A	
<b>Star</b>						
1972	H4 1.3L		N/A	N/A	N/A	
1971	H4 1.1L		N/A	N/A	N/A	
<b>SVX</b>						
1997-92	H6 3.3L		7IR6Y *	3727	37274	0.043
<b>Tribeca</b>						
2011-10	H6 3.6L		N/A	N/A	N/A	
2009-08	H6 3.6L		N/A	N/A	N/A	
<b>XT</b>						
1991-89	H4 1.8L		N/A	N/A	N/A	
1991-89	H6 2.7L		N/A	N/A	N/A	
1988	H4 1.8L		N/A	N/A	N/A	
1988	H6 2.7L		N/A	N/A	N/A	
1987-86	H4 1.8L		N/A	N/A	N/A	
1985	H4 1.8L	Naturally Aspirated	N/A	N/A	N/A	
1985	H4 1.8L	Turbo	N/A	N/A	N/A	
<b>Suzuki</b>						
<b>Aerio</b>						
2007-04	L4 2.3L	4 CPBs Req	7IR5Y	3725	37254	0.040
2003-02	L4 2.0L	4 CPBs Req	7IR5Y	3725	37254	0.040
<b>Equator</b>						
2011-09	L4 2.5L		9IR5Y	3730	37304	0.040
2011-09	V6 4.0L		9IR5Y	3730	37304	0.040
<b>Esteem</b>						
2002	L4 1.8L	4 CPBs Req	7IR6Y *	3727	37274	0.043
2001	L4 1.6L		7IR6Y *	3727	37274	0.043
2001	L4 1.6L	2 CPBs Req	7IR6Y *	3727	37274	0.043
2001	L4 1.8L	4 CPBs Req	7IR6Y *	3727	37274	0.043
2000-99	L4 1.6L		7IR6Y *	3727	37274	0.043
2000-99	L4 1.6L	2 CPBs Req	7IR6Y *	3727	37274	0.043
2000-99	L4 1.8L	4 CPBs Req	7IR6Y *	3727	37274	0.043
1998	L4 1.6L		7IR6Y *	3727	37274	0.043
1997-95	L4 1.6L		7IR6Y *	3727	37274	0.043
<b>Forenza</b>						
2008-04	L4 2.0L		7IR6Y *	3727	37274	0.043
<b>Forsa</b>						
1988-85	L3 1.0L		N/A	N/A	N/A	
<b>Grand Vitara</b>						
2011	L4 2.4L		N/A	N/A	N/A	
2010-09	L4 2.4L		N/A	N/A	N/A	
2010-09	V6 3.2L		5IR5Y	3719	37194	0.040
2008-06	V6 2.7L	6 CPBs Req	7IR6Y *	3727	37274	0.043
2005-02	V6 2.5L	6 CPBs Req	7IR5Y	3725	37254	0.040
2001	V6 2.5L	6 CPBs Req	7IR5Y	3725	37254	0.040
2001	V6 2.7L	6 CPBs Req	7IR5Y	3725	37254	0.040
2000	V6 2.5L	6 CPBs Req	7IR5Y	3725	37254	0.040
1999	V6 2.5L	6 CPBs Req	7IR6Y *	3727	37274	0.043
<b>Kizashi</b>						
2011-10	L4 2.4L		N/A	N/A	N/A	
<b>LJ81</b>						
1981	L3 1.0L		11IR5Y	3733	37334	0.035

CPB's = Coil Plug Boots  
 \*\* Pre-gapped for optimal performance.

Make Model Year	Engine Size	Notes:	Plug Type	MSD PN Single	MSD PN 4-Pack	Pre-Gap Setting**
<b>Reno</b>						
2008-05	L4 2.0L		7IR6Y *	3727	37274	0.043
<b>SA310</b>						
1985	L3 1.0L		N/A	N/A	N/A	
<b>Samurai</b>						
1995-85	L4 1.3L		11IR5Y	3733	37334	0.035
<b>Sidekick</b>						
1998	L4 1.6L		7IR6Y *	3727	37274	0.043
1998	L4 1.8L	4 CPBs Req	7IR6Y *	3727	37274	0.043
1997-96	L4 1.6L	JA	7IR6Y *	3727	37274	0.043
1997-96	L4 1.6L	JS	7IR6Y *	3727	37274	0.043
1997-96	L4 1.6L	JX	7IR6Y *	3727	37274	0.043
1997-96	L4 1.8L		7IR6Y *	3727	37274	0.043
1995	L4 1.6L	Eng G16KC 8Valves	7IR6Y *	3727	37274	0.043
1995	L4 1.6L	Eng G16KV, 16Valves	7IR6Y *	3727	37274	0.043
1994-93	L4 1.6L	Eng G16KC, 8Valves	11IR5Y	3733	37334	0.035
1994-93	L4 1.6L	Eng G16KV, 16Valves	7IR6Y *	3727	37274	0.043
1992	L4 1.6L	Eng G16KC, 8Valves	11IR5Y	3733	37334	0.035
1991-90	L4 1.6L		11IR5Y	3733	37334	0.035
1989	L4 1.3L		11IR5Y	3733	37334	0.035
1989	L4 1.6L		11IR5Y	3733	37334	0.035
<b>SJ410</b>						
1984-83	L4 1.0L		11IR5Y	3733	37334	0.035
1982-80	L3 1.0L		11IR5Y	3733	37334	0.035
<b>SJ413</b>						
1985	L4 1.3L		11IR5Y	3733	37334	0.035
<b>Swift</b>						
2001-99	L4 1.3L		7IR6Y *	3727	37274	0.043
2001-99	L4 1.3L	2 CPBs Req	7IR6Y *	3727	37274	0.043
1998	L4 1.3L		7IR6Y *	3727	37274	0.043
1997-95	L4 1.3L		7IR6Y *	3727	37274	0.043
1994	L3 1.0L		N/A	N/A	N/A	
1994	L4 1.3L	DOHC	N/A	N/A	N/A	
1994	L4 1.3L	SOHC	N/A	N/A	N/A	
1993-92	L3 1.0L		N/A	N/A	N/A	
1993-92	L4 1.3L	DOHC	N/A	N/A	N/A	
1993-92	L4 1.3L	SOHC	N/A	N/A	N/A	
1993-92	L4 1.6L		7IR6Y *	3727	37274	0.043
1991-89	L4 1.3L	DOHC	N/A	N/A	N/A	
1991-89	L4 1.3L	SOHC	N/A	N/A	N/A	
<b>Swift+</b>						
2009	L4 1.6L		7IR6Y *	3727	37274	0.043
2008-04	L4 1.6L		7IR6Y *	3727	37274	0.043
<b>SX4</b>						
2011-10	L4 2.0L		N/A	N/A	N/A	
2009-07	L4 2.0L		7IR5Y	3725	37254	0.040
<b>Verona</b>						
2006-05	L6 2.5L	6 CPBs Req	7IR6Y *	3727	37274	0.043
2004	L6 2.5L	6 CPBs Req	7IR6Y *	3727	37274	0.043
<b>Vitara</b>						
2004	V6 2.5L	6 CPBs Req	7IR5Y	3725	37254	0.040
2003	L4 2.0L	Base, 4 CPBs Req	7IR5Y	3725	37254	0.040
2002-01	L4 1.6L		7IR6Y *	3727	37274	0.043
2002-01	L4 1.6L	2 CPBs Req	7IR6Y *	3727	37274	0.043
2002-01	L4 2.0L	4 CPBs Req	7IR5Y	3725	37254	0.040
2000	L4 1.6L		7IR6Y *	3727	37274	0.043
2000	L4 1.6L	2 CPBs Req	7IR6Y *	3727	37274	0.043
2000	L4 2.0L	4 CPBs Req	7IR5Y	3725	37254	0.040
1999	L4 1.6L		7IR6Y *	3727	37274	0.043
1999	L4 1.6L	2 CPBs Req	7IR6Y *	3727	37274	0.043
1999	L4 2.0L	4 CPBs Req	7IR6Y *	3727	37274	0.043
<b>X-90</b>						
1998-96	L4 1.6L		7IR6Y *	3727	37274	0.043

\* Short Style 6 Series - PN 3741 (single), PN 37414 (4pk) - Pre-gapped 0.035  
 \* Short Style 7 Series - PN 3742 (single), PN 37424 (4pk) - Pre-gapped 0.035



# Suzuki XL-7

Make Model Year	Engine Size	Notes:	Plug Type	MSD PN Single	MSD PN 4-Pack	Pre-Gap Setting**
<b>XL-7</b>						
2009-07	V6 3.6L		5IR5Y	3719	37194	0.040
2006-04	V6 2.7L	6 CPBs Req	7IR6Y *	3727	37274	0.043
2003-02	V6 2.7L	6 CPBs Req	7IR5Y	3725	37254	0.040

# Toyota

## 4Runner

2011	V6 4.0L		N/A	N/A	N/A	
2010	L4 2.7L		N/A	N/A	N/A	
2010	V6 4.0L		N/A	N/A	N/A	
2009-05	V6 4.0L		N/A	N/A	N/A	
2009-05	V8 4.7L		7IR6Y *	3727	37274	0.043
2004-03	V6 4.0L		N/A	N/A	N/A	
2004-03	V8 4.7L		7IR6Y *	3727	37274	0.043
2002-01	V6 3.4L		N/A	N/A	N/A	
2002-01	V6 3.4L	3 CPBs Req	N/A	N/A	N/A	
2000	L4 2.7L	W/LEV	7IR5Y	3725	37254	0.040
2000	L4 2.7L	W/O LEV	7IR5Y	3725	37254	0.040
2000	V6 3.4L		N/A	N/A	N/A	
2000	V6 3.4L	3 CPBs Req	N/A	N/A	N/A	
1999-97	L4 2.7L		7IR5Y	3725	37254	0.040
1999-97	V6 3.4L		N/A	N/A	N/A	
1999-97	V6 3.4L	3 CPBs Req	N/A	N/A	N/A	
1996	L4 2.7L		7IR5Y	3725	37254	0.040
1996	V6 3.4L		N/A	N/A	N/A	
1996	V6 3.4L	3 CPBs Req	N/A	N/A	N/A	
1995-93	L4 2.4L		11IR5Y	3733	37334	0.035
1995-93	V6 3.0L		7IR5Y	3725	37254	0.040
1992	L4 2.4L		11IR5Y	3733	37334	0.035
1992	V6 3.0L		7IR5Y	3725	37254	0.040
1991-89	L4 2.4L		11IR5Y	3733	37334	0.035
1991-89	V6 3.0L		7IR5Y	3725	37254	0.040
1988	L4 2.4L	Naturally Aspirated	11IR5Y	3733	37334	0.035
1988	L4 2.4L	Turbo	11IR5Y	3733	37334	0.035
1988	V6 3.0L		7IR5Y	3725	37254	0.040
1987-85	L4 2.4L	Naturally Aspirated	11IR5Y	3733	37334	0.035
1987-85	L4 2.4L	Turbo	11IR5Y	3733	37334	0.035
1984	L4 2.4L		11IR5Y	3733	37334	0.035

## 2000GT

1968-67	L6 2.0L		N/A	N/A	N/A	
---------	---------	--	-----	-----	-----	--

## Avalon

2011-05	V6 3.5L		N/A	N/A	N/A	
2004-03	V6 3.0L		7IR6Y *	3727	37274	0.043
2002	V6 3.0L		7IR6Y *	3727	37274	0.043
1999-96	V6 3.0L		7IR6Y *	3727	37274	0.043
1999-96	V6 3.0L	3 CPBs Req	7IR6Y *	3727	37274	0.043
1995	V6 3.0L	6 CPBs Req	7IR6Y *	3727	37274	0.043

## Camry

2011-10	L4 2.4L		7IR6Y *	3727	37274	0.043
2011-10	L4 2.5L		9IR5Y	3730	37304	0.040
2011-10	V6 3.5L		N/A	N/A	N/A	
2009-08	L4 2.4L		7IR6Y *	3727	37274	0.043
2009-08	V6 3.5L		N/A	N/A	N/A	
2007	L4 2.4L	Eng 2AZFE	7IR6Y *	3727	37274	0.043
2007	L4 2.4L	Eng 2AZFXE	7IR6Y *	3727	37274	0.043
2007	V6 3.5L		N/A	N/A	N/A	
2006-04	L4 2.4L		7IR6Y *	3727	37274	0.043
2006-04	V6 3.0L		7IR6Y *	3727	37274	0.043
2006-04	V6 3.3L		7IR6Y *	3727	37274	0.043
2003-02	L4 2.4L		7IR6Y *	3727	37274	0.043
2003-02	V6 3.0L		7IR6Y *	3727	37274	0.043
2001-97	L4 2.2L		7IR6Y *	3727	37274	0.043
2001-97	V6 3.0L		7IR6Y *	3727	37274	0.043
2001-97	V6 3.0L	3 CPBs Req	7IR6Y *	3727	37274	0.043
1996	L4 2.2L		7IR6Y *	3727	37274	0.043
1996	V6 3.0L		7IR6Y *	3727	37274	0.043

Make Model Year	Engine Size	Notes:	Plug Type	MSD PN Single	MSD PN 4-Pack	Pre-Gap Setting**
1996	V6 3.0L	3 CPBs Req	7IR6Y *	3727	37274	0.043
1995	L4 2.2L	Calif.	7IR6Y *	3727	37274	0.043
1995	L4 2.2L	Exc. Calif.	7IR6Y *	3727	37274	0.043
1995	V6 3.0L	6 CPBs Req	7IR6Y *	3727	37274	0.043
1994	L4 2.2L	Calif.	7IR6Y *	3727	37274	0.043
1994	L4 2.2L	Exc. Calif.	7IR6Y *	3727	37274	0.043
1994	V6 3.0L	6 CPBs Req	7IR6Y *	3727	37274	0.043
1993-92	L4 2.2L		7IR6Y *	3727	37274	0.043
1993-92	V6 3.0L		7IR6Y *	3727	37274	0.043
1991-88	L4 2.0L		7IR5Y	3725	37254	0.040
1991-88	V6 2.5L		7IR6Y *	3727	37274	0.043
1987	L4 2.0L		7IR5Y	3725	37254	0.040
1986	L4 1.8L		N/A	N/A	N/A	
1986	L4 2.0L	DIESEL	N/A	N/A	N/A	
1986	L4 2.0L	GAS	11IR5Y	3733	37334	0.035
1985-84	L4 1.8L		N/A	N/A	N/A	
1985-84	L4 2.0L		11IR5Y	3733	37334	0.035
1983	L4 2.0L		11IR5Y	3733	37334	0.035

## Carina

1973	L4 1.6L		11IR5Y	3733	37334	0.035
1972	L4 1.6L		11IR5Y	3733	37334	0.035

## Celica

2005	L4 1.8L	Eng 1ZZFE	7IR5Y	3725	37254	0.040
2005	L4 1.8L	Eng 2ZZGE	7IR6Y *	3727	37274	0.043
2004	L4 1.8L	Eng 1ZZFE	7IR5Y	3725	37254	0.040
2004	L4 1.8L	Eng 2ZZGE	7IR6Y *	3727	37274	0.043
2003	L4 1.8L	Eng 1ZZFE	7IR5Y	3725	37254	0.040
2003	L4 1.8L	Eng 2ZZGE	7IR6Y *	3727	37274	0.043
1999-98	L4 2.2L		7IR6Y *	3727	37274	0.043
1997-96	L4 1.8L		7IR5Y	3725	37254	0.040
1997-96	L4 2.2L		7IR6Y *	3727	37274	0.043
1995-94	L4 1.8L		7IR5Y	3725	37254	0.040
1995-94	L4 2.2L	Calif.	7IR6Y *	3727	37274	0.043
1995-94	L4 2.2L	Exc. Calif.	7IR6Y *	3727	37274	0.043
1993-92	L4 1.6L		7IR5Y	3725	37254	0.040
1993-92	L4 2.0L		7IR6Y *	3727	37274	0.043
1993-92	L4 2.2L		7IR6Y *	3727	37274	0.043
1991	L4 1.6L		7IR5Y	3725	37254	0.040
1991	L4 2.0L		7IR6Y *	3727	37274	0.043
1991	L4 2.2L		7IR6Y *	3727	37274	0.043
1990	L4 1.6L		7IR5Y	3725	37254	0.040
1990	L4 2.0L		7IR6Y *	3727	37274	0.043
1990	L4 2.2L		7IR5Y	3725	37254	0.040
1989-88	L4 2.0L	Eng 3SGTE	7IR5Y	3725	37254	0.040
1989-88	L4 2.0L	Eng 3SFE	7IR5Y	3725	37254	0.040
1989-88	L4 2.0L	Eng 3SGELC	7IR5Y	3725	37254	0.040
1987	L4 2.0L	Eng 3SFE	7IR5Y	3725	37254	0.040
1987	L4 2.0L	Eng 3SGELC	7IR5Y	3725	37254	0.040
1986	L4 2.0L	Eng 2SEL	11IR5Y	3733	37334	0.035
1986	L4 2.0L	Eng 3SGELC	7IR5Y	3725	37254	0.040
1986	L6 2.8L		11IR5Y	3733	37334	0.035
1985-83	L4 2.4L		11IR5Y	3733	37334	0.035
1985-83	L6 2.8L		11IR5Y	3733	37334	0.035
1982	L4 2.4L		11IR5Y	3733	37334	0.035
1982	L6 2.8L		11IR5Y	3733	37334	0.035
1981	L4 2.4L		11IR5Y	3733	37334	0.035
1981	L6 2.8L		11IR5Y	3733	37334	0.035
1980-79	L4 2.2L		11IR5Y	3733	37334	0.035
1980-79	L6 2.6L		11IR5Y	3733	37334	0.035
1978-75	L4 2.2L		11IR5Y	3733	37334	0.035
1974-73	L4 2.0L	W/EGR	11IR5Y	3733	37334	0.035
1974-73	L4 2.0L	W/O EGR	N/A	N/A	N/A	
1972	L4 2.0L		N/A	N/A	N/A	
1971	L4 1.9L		N/A	N/A	N/A	



Make Model Year	Engine Size	Notes:	Plug Type	MSD PN Single	MSD PN 4-Pack	Pre-Gap Setting**
<b>Corolla</b>						
2010-09	L4 1.8L		N/A	N/A	N/A	
2010-09	L4 2.4L		71R6Y *	3727	37274	0.043
2008-07	L4 1.8L		71R5Y	3725	37254	0.040
2006-05	L4 1.8L	Eng 1ZZFE	71R5Y	3725	37254	0.040
2006-05	L4 1.8L	Eng 2ZZGE	71R6Y *	3727	37274	0.043
2004	L4 1.8L		71R5Y	3725	37254	0.040
1999-98	L4 1.8L		N/A	N/A	N/A	
1997-94	L4 1.6L		71R5Y	3725	37254	0.040
1997-94	L4 1.8L		71R5Y	3725	37254	0.040
1993	L4 1.6L	FWD	71R5Y	3725	37254	0.040
1993	L4 1.8L		71R5Y	3725	37254	0.040
1992	L4 1.6L		71R5Y	3725	37254	0.040
1991	L4 1.6L	Eng 4AFE	71R5Y	3725	37254	0.040
1990	L4 1.6L	Eng 4AGE	71R6Y *	3727	37274	0.043
1990	L4 1.6L	Eng 4AF	71R5Y	3725	37254	0.040
1989	L4 1.6L	Eng 4AF	71R5Y	3725	37254	0.040
1989	L4 1.6L	Eng 4AFE	71R5Y	3725	37254	0.040
1989	L4 1.6L	Eng 4AGE	71R5Y	3725	37254	0.040
1988	L4 1.6L	Eng 4AF	71R5Y	3725	37254	0.040
1988	L4 1.6L	Eng 4AFE	71R5Y	3725	37254	0.040
1988	L4 1.6L	Eng 4AGE	71R5Y	3725	37254	0.040
1988	L4 1.6L	Eng 4AGELC	71R5Y	3725	37254	0.040
1988	L4 1.6L	Eng 4ALC	11R5Y	3733	37334	0.035
1987	L4 1.6L	CARB, Eng 4AC, USA	11R5Y	3733	37334	0.035
1987	L4 1.6L	CARB, Eng 4AGEC	11R5Y	3733	37334	0.035
1987	L4 1.6L	CARB, Eng 4AGELC	11R5Y	3733	37334	0.035
1987	L4 1.6L	CARB, Eng 4ALC	11R5Y	3733	37334	0.035
1987	L4 1.6L	FI, Eng 4AC, USA	71R5Y	3725	37254	0.040
1987	L4 1.6L	FI, Eng 4AGEC	71R5Y	3725	37254	0.040
1987	L4 1.6L	FI, Eng 4AGELC	71R5Y	3725	37254	0.040
1987	L4 1.6L	FI, Eng 4ALC	71R5Y	3725	37254	0.040
1986	L4 1.6L	CARB, Eng 4AC, USA	11R5Y	3733	37334	0.035
1986	L4 1.6L	CARB, Eng 4AGEC	11R5Y	3733	37334	0.035
1986	L4 1.6L	CARB, Eng 4ALC	11R5Y	3733	37334	0.035
1986	L4 1.6L	FI, Eng 4AC, USA	71R5Y	3725	37254	0.040
1986	L4 1.6L	FI, Eng 4AGEC	71R5Y	3725	37254	0.040
1986	L4 1.6L	FI, Eng 4ALC	71R5Y	3725	37254	0.040
1985	L4 1.6L	CARB	11R5Y	3733	37334	0.035
1985	L4 1.6L	FI	71R5Y	3725	37254	0.040
1985	L4 1.8L		N/A	N/A	N/A	
1984	L4 1.6L		11R5Y	3733	37334	0.035
1984	L4 1.8L		N/A	N/A	N/A	
1983	L4 1.6L		11R5Y	3733	37334	0.035
1982-80	L4 1.8L		11R5Y	3733	37334	0.035
1979-71	L4 1.2L		11R5Y	3733	37334	0.035
1979-71	L4 1.6L		11R5Y	3733	37334	0.035
1970	L4 1.2L		11R5Y	3733	37334	0.035
1969	L4 1.1L		11R5Y	3733	37334	0.035
1969	L4 1.2L		11R5Y	3733	37334	0.035
1968	L4 1.1L		11R5Y	3733	37334	0.035
<b>Corona</b>						
1982-81	L4 2.4L		11R5Y	3733	37334	0.035
1980-75	L4 2.2L		11R5Y	3733	37334	0.035
1974-72	L4 2.0L		11R5Y	3733	37334	0.035
1971	L4 1.9L		N/A	N/A	N/A	
1970	L4 1.9L	Eng 3RC	N/A	N/A	N/A	
1970	L4 1.9L	Eng 8R	N/A	N/A	N/A	
1970	L4 1.9L	Eng 8RC	N/A	N/A	N/A	
1969	L4 1.9L		N/A	N/A	N/A	
1968-67	L4 1.9L	Eng 3RC	N/A	N/A	N/A	
1968-67	L4 1.9L	Eng 8R	N/A	N/A	N/A	
1968-67	L4 1.9L	Eng 8RC	N/A	N/A	N/A	
<b>Cressida</b>						
1992-89	L6 3.0L		71R5Y	3725	37254	0.040
1988-83	L6 2.8L		11R5Y	3733	37334	0.035
1982	L6 2.8L		11R5Y	3733	37334	0.035
1981	L6 2.8L		11R5Y	3733	37334	0.035
1980-79	L6 2.6L		11R5Y	3733	37334	0.035
1978	L6 2.6L		11R5Y	3733	37334	0.035

CPB's = Coil Plug Boots  
 \*\* Pre-gapped for optimal performance.

Make Model Year	Engine Size	Notes:	Plug Type	MSD PN Single	MSD PN 4-Pack	Pre-Gap Setting**
<b>Crown</b>						
1972	L6 2.6L		11R5Y	3733	37334	0.035
1971	L6 2.6L		11R5Y	3733	37334	0.035
1970-67	L6 2.3L		11R5Y	3733	37334	0.035
1966-64	L4 1.9L		N/A	N/A	N/A	
<b>Echo</b>						
2005-01	L4 1.5L		71R5Y	3725	37254	0.040
2000	L4 1.5L		71R5Y	3725	37254	0.040
<b>FJ Cruiser</b>						
2011-10	V6 4.0L		N/A	N/A	N/A	
2009-07	V6 4.0L		N/A	N/A	N/A	
<b>Highlander</b>						
2011	V6 3.5L		N/A	N/A	N/A	
2010-09	L4 2.7L		91R5Y	3730	37304	0.040
2010-09	V6 3.3L		71R6Y *	3727	37274	0.043
2010-09	V6 3.5L		N/A	N/A	N/A	
2008	V6 3.3L		71R6Y *	3727	37274	0.043
2008	V6 3.5L		N/A	N/A	N/A	
2007-04	L4 2.4L		71R6Y *	3727	37274	0.043
2007-04	V6 3.3L		71R6Y *	3727	37274	0.043
2003-01	L4 2.4L		71R6Y *	3727	37274	0.043
2003-01	V6 3.0L		71R6Y *	3727	37274	0.043
<b>Land Cruiser</b>						
2011	V8 5.7L		N/A	N/A	N/A	
2010-08	V8 5.7L		N/A	N/A	N/A	
2007-05	V8 4.7L		71R6Y *	3727	37274	0.043
2004	V8 4.7L		71R6Y *	3727	37274	0.043
1999-98	V8 4.7L		71R6Y *	3727	37274	0.043
1997-93	L6 4.5L		71R5Y	3725	37254	0.040
1992-90	L6 4.0L		11R5Y	3733	37334	0.035
1989-88	L6 4.0L		11R5Y	3733	37334	0.035
1987	L4 2.4L		N/A	N/A	N/A	
1987	L4 3.4L		N/A	N/A	N/A	
1987	L6 4.2L	GAS	11R5Y	3733	37334	0.035
1986-82	L4 3.4L		N/A	N/A	N/A	
1986-82	L6 4.2L	GAS	11R5Y	3733	37334	0.035
1981	L4 3.4L		N/A	N/A	N/A	
1981	L6 4.2L	BJ60	N/A	N/A	N/A	
1981	L6 4.2L	GAS	11R5Y	3733	37334	0.035
1980-79	L6 4.2L		11R5Y	3733	37334	0.035
1978-75	L6 4.2L		11R5Y	3733	37334	0.035
1974-67	L6 3.9L		11R5Y	3733	37334	0.035
1966-65	L6 3.9L		N/A	N/A	N/A	
<b>Mark II</b>						
1976-73	L6 2.6L		11R5Y	3733	37334	0.035
1972	L6 2.3L		11R5Y	3733	37334	0.035
<b>Matrix</b>						
2011	L4 2.4L		71R6Y *	3727	37274	0.043
2010-09	L4 1.8L		N/A	N/A	N/A	
2010-09	L4 2.4L		71R6Y *	3727	37274	0.043
2008-07	L4 1.8L		71R5Y	3725	37254	0.040
2006-05	L4 1.8L	Eng 1ZZFE	71R5Y	3725	37254	0.040
2006-05	L4 1.8L	Eng 2ZZGE	71R6Y *	3727	37274	0.043
2004	L4 1.8L	Eng 1ZZFE	71R5Y	3725	37254	0.040
2004	L4 1.8L	Eng 2ZZGE	71R6Y *	3727	37274	0.043
2003	L4 1.8L	Eng 1ZZFE	71R5Y	3725	37254	0.040
2003	L4 1.8L	Eng 2ZZGE	71R6Y *	3727	37274	0.043
<b>MR2</b>						
1995-93	L4 2.0L		71R6Y *	3727	37274	0.043
1995-93	L4 2.2L		71R6Y *	3727	37274	0.043
1992	L4 2.0L	From 01/92	71R6Y *	3727	37274	0.043
1992	L4 2.0L	To 01/92	71R6Y *	3727	37274	0.043
1992	L4 2.2L	From 01/92	71R6Y *	3727	37274	0.043
1992	L4 2.2L	To 01/92	71R6Y *	3727	37274	0.043
1991	L4 2.0L		71R6Y *	3727	37274	0.043

\* Short Style 6 Series - PN 3741 (single), PN 37414 (4pk) - Pre-gapped 0.035  
 \* Short Style 7 Series - PN 3742 (single), PN 37424 (4pk) - Pre-gapped 0.035



**Toyota MR2 continued**

Make Model Year	Engine Size	Notes:	Plug Type	MSD PN Single	MSD PN 4-Pack	Pre-Gap Setting**
1991	L4 2.2L		71R5Y	3725	37254	0.040
1989-88	L4 1.6L	Supercharged	71R6Y *	3727	37274	0.043
1989-88	L4 1.6L	Naturally Aspirated	71R5Y	3725	37254	0.040
1987-85	L4 1.6L		71R5Y	3725	37254	0.040
<b>MR2 Spyder</b>						
2005-03	L4 1.8L		71R5Y	3725	37254	0.040
2002	L4 1.8L		71R5Y	3725	37254	0.040
<b>Paseo</b>						
1999-96	L4 1.5L		N/A	N/A	N/A	
1999-96	L4 1.5L	2 CPBs Req	N/A	N/A	N/A	
1995	L4 1.5L	DOHC; California,	N/A	N/A	N/A	
1995	L4 1.5L	DOHC; Non-California,	71R5Y *	3725	37254	0.040
1995	L4 1.5L	DOHC; California, 2 CPBs Req	N/A	N/A	N/A	
1995	L4 1.5L	DOHC; Non-California, 2 CPBs Req	71R5Y	3725	37254	0.040
1994-92	L4 1.5L		71R5Y	3725	37254	0.040
<b>Pickup</b>						
1995-93	L4 2.4L		111R5Y	3733	37334	0.035
1995-93	V6 3.0L		71R5Y	3725	37254	0.040
1992	L4 2.4L		111R5Y	3733	37334	0.035
1992	V6 3.0L		71R5Y	3725	37254	0.040
1991	L4 2.4L		111R5Y	3733	37334	0.035
1991	V6 3.0L		71R5Y	3725	37254	0.040
1990-89	L4 2.4L	Eng 22R	111R5Y	3733	37334	0.035
1990-89	L4 2.4L	Eng 22RE	111R5Y	3733	37334	0.035
1990-89	V6 3.0L		71R5Y	3725	37254	0.040
1988	L4 2.4L	Eng 22R	111R5Y	3733	37334	0.035
1988	L4 2.4L	Eng 22REC	111R5Y	3733	37334	0.035
1988	L4 2.4L	Eng 22RTEC	111R5Y	3733	37334	0.035
1988	V6 3.0L		71R5Y	3725	37254	0.040
1987-85	L4 2.4L	GAS, Eng 22R	111R5Y	3733	37334	0.035
1987-85	L4 2.4L	GAS, Eng 22REC	111R5Y	3733	37334	0.035
1987-85	L4 2.4L	GAS, Eng 22RTEC	111R5Y	3733	37334	0.035
1984	L4 2.4L	GAS, Eng 22R	111R5Y	3733	37334	0.035
1984	L4 2.4L	GAS, Eng 22REC	111R5Y	3733	37334	0.035
1983	L4 2.2L		N/A	N/A	N/A	
1983	L4 2.4L		111R5Y	3733	37334	0.035
1982-81	L4 2.2L		N/A	N/A	N/A	
1982-81	L4 2.4L		111R5Y	3733	37334	0.035
1980-75	L4 2.2L		111R5Y	3733	37334	0.035
1974-72	L4 2.0L		111R5Y	3733	37334	0.035
1971	L4 1.9L		111R5Y	3733	37334	0.035
1970	L4 1.9L	Eng 3RC	N/A	N/A	N/A	
1970	L4 1.9L	Eng 8RC	111R5Y	3733	37334	0.035
1969	L4 1.9L		N/A	N/A	N/A	
<b>Previa</b>						
1997-96	L4 2.4L		71R6Y *	3727	37274	0.043
1995	L4 2.4L	Naturally Aspirated	71R5Y	3725	37254	0.040
1995	L4 2.4L	Supercharged	71R6Y *	3727	37274	0.043
1994-91	L4 2.4L		71R5Y	3725	37254	0.040
<b>Prius</b>						
2010	L4 1.8L		N/A	N/A	N/A	
2009-08	L4 1.5L		71R5Y	3725	37254	0.040
2007-01	L4 1.5L		71R5Y	3725	37254	0.040
<b>RAV4</b>						
2011	V6 3.5L		N/A	N/A	N/A	
2010-09	L4 2.5L		91R5Y	3730	37304	0.040
2010-09	V6 3.5L		N/A	N/A	N/A	
2008-06	L4 2.4L		71R6Y *	3727	37274	0.043
2008-06	V6 3.5L		N/A	N/A	N/A	
2005	L4 2.4L		71R6Y *	3727	37274	0.043
2004	L4 2.4L		71R6Y *	3727	37274	0.043
2003-01	L4 2.0L		71R6Y *	3727	37274	0.043
2000-98	L4 2.0L		71R6Y *	3727	37274	0.043
1997	L4 2.0L		71R6Y *	3727	37274	0.043
1996	L4 2.0L		71R6Y *	3727	37274	0.043

Make Model Year	Engine Size	Notes:	Plug Type	MSD PN Single	MSD PN 4-Pack	Pre-Gap Setting**
<b>Sequoia</b>						
2011	V8 4.6L		N/A	N/A	N/A	
2011	V8 5.7L		N/A	N/A	N/A	
2010	V8 4.6L		N/A	N/A	N/A	
2010	V8 5.7L		N/A	N/A	N/A	
2009-08	V8 4.7L		71R6Y *	3727	37274	0.043
2009-08	V8 5.7L		N/A	N/A	N/A	
2007-05	V8 4.7L		71R6Y *	3727	37274	0.043
2004-03	V8 4.7L		71R6Y *	3727	37274	0.043
2002-01	V8 4.7L		71R6Y *	3727	37274	0.043
<b>Sienna</b>						
2011	L4 2.7L		91R5Y	3730	37304	0.040
2011	V6 3.5L		N/A	N/A	N/A	
2010-07	V6 3.5L		N/A	N/A	N/A	
2006-05	V6 3.3L		71R6Y *	3727	37274	0.043
2004	V6 3.3L		71R6Y *	3727	37274	0.043
2003-02	V6 3.0L		71R6Y *	3727	37274	0.043
2001	V6 3.0L		71R6Y *	3727	37274	0.043
2001	V6 3.0L	3 CPBs Req	71R6Y *	3727	37274	0.043
2000-98	V6 3.0L		71R6Y *	3727	37274	0.043
2000-98	V6 3.0L	3 CPBs Req	71R6Y *	3727	37274	0.043
<b>Solara</b>						
2008-07	L4 2.4L		71R6Y *	3727	37274	0.043
2008-07	V6 3.3L		71R6Y *	3727	37274	0.043
2006-05	L4 2.4L		71R6Y *	3727	37274	0.043
2006-05	V6 3.3L		71R6Y *	3727	37274	0.043
2004	L4 2.4L		71R6Y *	3727	37274	0.043
2004	V6 3.3L		71R6Y *	3727	37274	0.043
2003-02	L4 2.4L		71R6Y *	3727	37274	0.043
2003-02	V6 3.0L		71R6Y *	3727	37274	0.043
2003-02	V6 3.0L	3 CPBs Req	71R6Y *	3727	37274	0.043
2001-99	L4 2.2L		71R6Y *	3727	37274	0.043
2001-99	V6 3.0L		71R6Y *	3727	37274	0.043
2001-99	V6 3.0L	3 CPBs Req	71R6Y *	3727	37274	0.043
<b>Starlet</b>						
1984-83	L4 1.3L		111R5Y	3733	37334	0.035
1982-81	L4 1.3L		111R5Y	3733	37334	0.035
<b>Stout</b>						
1968-66	L4 1.9L		N/A	N/A	N/A	
<b>Supra</b>						
1998	L6 3.0L	Naturally Aspirated,	71R5Y	3725	37254	0.040
1998	L6 3.0L	Naturally Aspirated, 3 CPBs Req	71R5Y	3725	37254	0.040
1998	L6 3.0L	Turbo, 6 CPBs Req	71R6Y *	3727	37274	0.043
1997-93	L6 3.0L	Naturally Aspirated	71R5Y	3725	37254	0.040
1997-93	L6 3.0L	Turbo, 6 CPBs Req	71R6Y *	3727	37274	0.043
1992-87	L6 3.0L	Naturally Aspirated	71R5Y	3725	37254	0.040
1992-87	L6 3.0L	Turbo	71R6Y *	3727	37274	0.043
1986	L6 3.0L		71R5Y	3725	37254	0.040
<b>T100</b>						
1998	L4 2.7L		71R5Y	3725	37254	0.040
1998	V6 3.4L		N/A	N/A	N/A	
1998	V6 3.4L	3 CPBs Req	N/A	N/A	N/A	
1997-95	L4 2.7L		71R5Y	3725	37254	0.040
1997-95	V6 3.4L		N/A	N/A	N/A	
1997-95	V6 3.4L	3 CPBs Req	N/A	N/A	N/A	
1994	L4 2.7L		71R5Y	3725	37254	0.040
1994	V6 3.0L		71R5Y	3725	37254	0.040
1993	V6 3.0L		71R5Y	3725	37254	0.040
<b>Tacoma</b>						
2011-09	L4 2.7L		N/A	N/A	N/A	
2011-09	V6 4.0L		N/A	N/A	N/A	
2008	L4 2.7L		N/A	N/A	N/A	
2008	V6 4.0L		N/A	N/A	N/A	
2007-05	L4 2.7L		N/A	N/A	N/A	
2007-05	V6 4.0L		N/A	N/A	N/A	

\* Short Style 6 Series - PN 3741 (single), PN 37414 (4pk) - Pre-gapped 0.035  
 \* Short Style 7 Series - PN 3742 (single), PN 37424 (4pk) - Pre-gapped 0.035

CPB's = Coil Plug Boots  
 \*\* Pre-gapped for optimal performance.





Make Model Year	Engine Size	Notes:	Plug Type	MSD PN Single	MSD PN 4-Pack	Pre-Gap Setting**
2004	L4 2.4L		71R5Y	3725	37254	0.040
2004	L4 2.7L		71R5Y	3725	37254	0.040
2004	V6 3.4L		N/A	N/A	N/A	
2004	V6 3.4L	3 CPBs Req	N/A	N/A	N/A	
2003	L4 2.4L		71R5Y	3725	37254	0.040
2003	L4 2.7L		71R5Y	3725	37254	0.040
2003	V6 3.4L		N/A	N/A	N/A	
2003	V6 3.4L	3 CPBs Req	N/A	N/A	N/A	
2002-01	L4 2.4L		71R5Y	3725	37254	0.040
2002-01	L4 2.7L		71R5Y	3725	37254	0.040
2002-01	V6 3.4L		N/A	N/A	N/A	
2002-01	V6 3.4L	3 CPBs Req	N/A	N/A	N/A	
2000	L4 2.4L	DLX	71R5Y	3725	37254	0.040
2000	L4 2.4L	Limited	71R5Y	3725	37254	0.040
2000	L4 2.4L	Pre Runner	71R5Y	3725	37254	0.040
2000	L4 2.4L	SR5	71R5Y	3725	37254	0.040
2000	L4 2.7L		71R5Y	3725	37254	0.040
2000	V6 3.4L		N/A	N/A	N/A	
2000	V6 3.4L	3 CPBs Req	N/A	N/A	N/A	
1999-98	L4 2.4L		71R5Y	3725	37254	0.040
1999-98	L4 2.7L		71R5Y	3725	37254	0.040
1999-98	V6 3.4L		N/A	N/A	N/A	
1999-98	V6 3.4L	3 CPBs Req	N/A	N/A	N/A	
1997	L4 2.4L		71R5Y	3725	37254	0.040
1997	L4 2.7L		71R5Y	3725	37254	0.040
1997	V6 3.4L		N/A	N/A	N/A	
1997	V6 3.4L	3 CPBs Req	N/A	N/A	N/A	
1996-95	L4 2.4L		71R5Y	3725	37254	0.040
1996-95	L4 2.7L		71R5Y	3725	37254	0.040
1996-95	V6 3.4L		N/A	N/A	N/A	
1996-95	V6 3.4L	3 CPBs Req	N/A	N/A	N/A	
<b>Tercel</b>						
1999-95	L4 1.5L		N/A	N/A	N/A	
1999-95	L4 1.5L	2 CPBs Req	N/A	N/A	N/A	
1994-93	L4 1.5L		11R5Y	3733	37334	0.035
1992-91	L4 1.5L		11R5Y	3733	37334	0.035
1990	L4 1.5L	CARB	11R5Y	3733	37334	0.035
1990	L4 1.5L	FI	11R5Y	3733	37334	0.035
1989	L4 1.5L		11R5Y	3733	37334	0.035
1988-87	L4 1.5L	Eng 3AC	11R5Y	3733	37334	0.035
1988-87	L4 1.5L	Eng 3E	11R5Y	3733	37334	0.035
1986-83	L4 1.5L		11R5Y	3733	37334	0.035
1982-81	L4 1.5L		11R5Y	3733	37334	0.035
1980	L4 1.5L		N/A	N/A	N/A	
<b>Tundra</b>						
2011	V6 4.0L		N/A	N/A	N/A	
2011	V8 4.6L		N/A	N/A	N/A	
2011	V8 5.7L		N/A	N/A	N/A	
2010	V6 4.0L		N/A	N/A	N/A	
2010	V8 4.6L		N/A	N/A	N/A	
2010	V8 5.7L		N/A	N/A	N/A	
2009-08	V6 4.0L		N/A	N/A	N/A	
2009-08	V8 4.7L		71R6Y *	3727	37274	0.043
2009-08	V8 5.7L		N/A	N/A	N/A	
2007	V6 4.0L		N/A	N/A	N/A	
2007	V8 4.7L		71R6Y *	3727	37274	0.043
2007	V8 5.7L		N/A	N/A	N/A	
2006-05	V6 4.0L		N/A	N/A	N/A	
2006-05	V8 4.7L		71R6Y *	3727	37274	0.043
2004-03	V6 3.4L		N/A	N/A	N/A	
2004-03	V6 3.4L	3 CPBs Req	N/A	N/A	N/A	
2004-03	V8 4.7L		71R6Y *	3727	37274	0.043
2002	V6 3.4L		N/A	N/A	N/A	
2002	V6 3.4L	3 CPBs Req	N/A	N/A	N/A	
2002	V8 4.7L		71R6Y *	3727	37274	0.043
<b>Van</b>						
1989-86	L4 2.2L		11R5Y	3733	37334	0.035
1985-84	L4 2.0L		11R5Y	3733	37334	0.035

Make Model Year	Engine Size	Notes:	Plug Type	MSD PN Single	MSD PN 4-Pack	Pre-Gap Setting**
<b>Van Wagon</b>						
1988	L4 2.2L		11R5Y	3733	37334	0.035
<b>Venza</b>						
2011	V6 3.5L		N/A	N/A	N/A	
2010-09	L4 2.7L		91R5Y	3730	37304	0.040
2010-09	V6 3.5L		N/A	N/A	N/A	
<b>Yaris</b>						
2011-10	L4 1.5L		71R5Y	3725	37254	0.040
2009-06	L4 1.5L		71R5Y	3725	37254	0.040
<b>Triumph</b>						
<b>GT6</b>						
1973-67	L6 2.0L		111R5Y	3733	37334	0.035
<b>Spitfire</b>						
1980-73	L4 1.5L		111R5Y	3733	37334	0.035
1972-68	L4 1.3L		111R5Y	3733	37334	0.035
1967-63	L4 1.2L	1/2" Reach	131R6Y	3736	37364	0.032
1967-63	L4 1.2L	3/4" Reach	111R5Y	3733	37334	0.035
<b>Stag</b>						
1973-71	V8 3.0L		111R5Y	3733	37334	0.035
<b>TR3A</b>						
1961-60	L4 2.0L		131R6Y	3736	37364	0.032
<b>TR3B</b>						
1962	L4 2.0L		131R6Y	3736	37364	0.032
1962	L4 2.1L		131R6Y	3736	37364	0.032
<b>TR4</b>						
1964-62	L4 2.1L		131R6Y	3736	37364	0.032
<b>TR4A</b>						
1967-65	L4 2.1L		131R6Y	3736	37364	0.032
<b>TR6</b>						
1976-69	L6 2.5L		N/A	N/A	N/A	
<b>TR7</b>						
1982-75	L4 2.0L		111R5Y	3733	37334	0.035
<b>TR8</b>						
1982-80	V8 3.5L		111R5Y	3733	37334	0.035
<b>TR250</b>						
1968	L6 2.5L		N/A	N/A	N/A	
<b>Volkswagen</b>						
<b>411</b>						
1972-71	H4 1.7L		N/A	N/A	N/A	
<b>412</b>						
1974	H4 1.7L		N/A	N/A	N/A	
1974	H4 1.8L		N/A	N/A	N/A	
1973	H4 1.7L		N/A	N/A	N/A	
<b>Beetle</b>						
2010-06	L5 2.5L		N/A	N/A	N/A	
2005	L4 1.8L		71R6Y *	3727	37274	0.043
2005	L4 2.0L	Eng BEV	N/A	N/A	N/A	
2005	L4 2.0L	Eng BGD	N/A	N/A	N/A	
2004	L4 1.8L	Eng AWP	71R6Y *	3727	37274	0.043
2004	L4 1.8L	Eng AWW	71R6Y *	3727	37274	0.043
2004	L4 1.9L	Eng ALH	N/A	N/A	N/A	
2004	L4 2.0L	Eng BEV	N/A	N/A	N/A	
2004	L4 2.0L	Eng BGD	71R5Y	3725	37254	0.040
2003	L4 1.8L	Eng AWP	71R6Y *	3727	37274	0.043
2003	L4 1.8L	Eng AWW	71R6Y *	3727	37274	0.043
2003	L4 1.9L		N/A	N/A	N/A	
2003	L4 2.0L	Eng AVH	N/A	N/A	N/A	
2003	L4 2.0L	Eng BDC	N/A	N/A	N/A	
2002	L4 1.8L	Eng AWP	71R6Y *	3727	37274	0.043
2002	L4 1.8L	Eng AWW	71R6Y *	3727	37274	0.043
2002	L4 1.9L		N/A	N/A	N/A	
2002	L4 2.0L	Eng AVH	N/A	N/A	N/A	

CPB's = Coil Plug Boots  
 \*\* Pre-gapped for optimal performance.

\* Short Style 6 Series - PN 3741 (single), PN 37414 (4pk) - Pre-gapped 0.035  
 \* Short Style 7 Series - PN 3742 (single), PN 37424 (4pk) - Pre-gapped 0.035





**Volkswagen Beetle continued**

Make Model Year	Engine Size	Notes:	Plug Type	MSD PN Single	MSD PN 4-Pack	Pre-Gap Setting**
2002	L4 2.0L	Eng AZG	N/A	N/A	N/A	
2001	L4 1.8L		71R6Y *	3727	37274	0.043
2001	L4 1.9L		N/A	N/A	N/A	
2001	L4 2.0L	Eng AEG	N/A	N/A	N/A	
2001	L4 2.0L	Eng AVH	N/A	N/A	N/A	
2001	L4 2.0L	Eng AZG	N/A	N/A	N/A	
2000-99	L4 1.8L		71R6Y *	3727	37274	0.043
2000-99	L4 1.9L		N/A	N/A	N/A	
2000-99	L4 2.0L		N/A	N/A	N/A	
1998	L4 1.9L		N/A	N/A	N/A	
1998	L4 2.0L		N/A	N/A	N/A	
1979-70	H4 1.6L		151R6	3740	37404	0.032
1969-67	H4 1.5L		151R6	3740	37404	0.032
1966	H4 1.2L		151R6	3740	37404	0.032
1966	H4 1.3L		151R6	3740	37404	0.032
1965-54	H4 1.2L		151R6	3740	37404	0.032
1953-50	H4 1.1L		N/A	N/A	N/A	
<b>Cabrio</b>						
2002	L4 2.0L		71R6Y *	3727	37274	0.043
2001-95	L4 2.0L		71R5Y	3725	37254	0.040
<b>Cabriolet</b>						
1993-85	L4 1.8L		N/A	N/A	N/A	
<b>Campmobile</b>						
1974	H4 1.8L		111R5	3732	37324	0.032
1973-72	H4 1.7L		111R5	3732	37324	0.032
1971-68	H4 1.6L		151R6	3740	37404	0.032
<b>CC</b>						
2012-09	L4 2.0L		N/A	N/A	N/A	
2012-09	V6 3.6L		N/A	N/A	N/A	
<b>Corrado</b>						
1995-93	V6 2.8L		71R5Y	3725	37254	0.040
1992	L4 1.8L		N/A	N/A	N/A	
1992	V6 2.8L		71R5Y	3725	37254	0.040
1991-90	L4 1.8L		N/A	N/A	N/A	
<b>Dasher</b>						
1981	L4 1.6L		N/A	N/A	N/A	
1980	L4 1.5L		N/A	N/A	N/A	
1980	L4 1.6L	Eng YG, California	N/A	N/A	N/A	
1980	L4 1.6L	Eng YG, Non-California	111R5Y	3733	37334	0.035
1980	L4 1.6L	Eng YH	N/A	N/A	N/A	
1979	L4 1.5L		N/A	N/A	N/A	
1979	L4 1.6L	Eng YG	111R5Y	3733	37334	0.035
1979	L4 1.6L	Eng YH	N/A	N/A	N/A	
1978-77	L4 1.6L	Eng YG	111R5Y	3733	37334	0.035
1978-77	L4 1.6L	Eng YH	N/A	N/A	N/A	
1976	L4 1.6L	Eng YG	111R5Y	3733	37334	0.035
1976	L4 1.6L	Eng YH	N/A	N/A	N/A	
1976	L4 1.6L	Eng YK	N/A	N/A	N/A	
1975	L4 1.5L	Eng XR	N/A	N/A	N/A	
1975	L4 1.5L	Eng XS	111R5Y	3733	37334	0.035
1974	L4 1.5L		111R5Y	3733	37334	0.035
<b>Eos</b>						
2012-09	L4 2.0L		N/A	N/A	N/A	
2008-07	L4 2.0L		N/A	N/A	N/A	
2008-07	V6 3.2L		N/A	N/A	N/A	
<b>EuroVan</b>						
2003	V6 2.8L		71R5Y	3725	37254	0.040
2002	V6 2.8L		N/A	N/A	N/A	
2001	V6 2.8L	Eng AXK	N/A	N/A	N/A	
2001	V6 2.8L	Eng AES	71R5Y	3725	37254	0.040
2000-99	V6 2.8L		71R5Y	3725	37254	0.040
1997	L5 2.4L		N/A	N/A	N/A	
1997	V6 2.8L		71R5Y	3725	37254	0.040
1996	L5 2.4L		N/A	N/A	N/A	
1996	L5 2.5L		N/A	N/A	N/A	
1995	L5 2.4L		N/A	N/A	N/A	

Make Model Year	Engine Size	Notes:	Plug Type	MSD PN Single	MSD PN 4-Pack	Pre-Gap Setting**
1995	L5 2.5L	From Chassis 045001	N/A	N/A	N/A	
1995	L5 2.5L	To Chassis 045000	N/A	N/A	N/A	
1994-93	L5 2.4L		N/A	N/A	N/A	
1994-93	L5 2.5L		N/A	N/A	N/A	
1992	L5 2.5L		N/A	N/A	N/A	
<b>Fastback</b>						
1973-66	H4 1.6L		151R6	3740	37404	0.032
<b>Fox</b>						
1993-87	L4 1.8L		N/A	N/A	N/A	
<b>Golf</b>						
2010	L5 2.5L		N/A	N/A	N/A	
2006	L4 1.8L		71R6Y *	3727	37274	0.043
2006	L4 2.0L	Eng BEV	N/A	N/A	N/A	
2005	L4 1.8L		71R6Y *	3727	37274	0.043
2005	L4 2.0L		N/A	N/A	N/A	
2005	V6 2.8L		N/A	N/A	N/A	
2004	L4 1.8L		71R6Y *	3727	37274	0.043
2004	L4 1.9L	Eng ALH	N/A	N/A	N/A	
2004	L4 2.0L		N/A	N/A	N/A	
2004	V6 2.8L		N/A	N/A	N/A	
2004	V6 3.2L		N/A	N/A	N/A	
2003	L4 1.8L		71R6Y *	3727	37274	0.043
2003	L4 1.9L		N/A	N/A	N/A	
2003	L4 2.0L		N/A	N/A	N/A	
2003	V6 2.8L		N/A	N/A	N/A	
2002	L4 1.8L		71R6Y *	3727	37274	0.043
2002	L4 1.9L		N/A	N/A	N/A	
2002	L4 2.0L	Eng AVH	N/A	N/A	N/A	
2002	L4 2.0L	Eng AZG	N/A	N/A	N/A	
2002	V6 2.8L	Eng BDF	N/A	N/A	N/A	
2002	V6 2.8L	Eng AFP	71R5Y	3725	37254	0.040
2001	L4 1.8L		71R6Y *	3727	37274	0.043
2001	L4 1.9L		N/A	N/A	N/A	
2001	L4 2.0L	Eng AEG	N/A	N/A	N/A	
2001	L4 2.0L	Eng AVH	N/A	N/A	N/A	
2001	L4 2.0L	Eng AZG	N/A	N/A	N/A	
2001	V6 2.8L		71R5Y	3725	37254	0.040
2000	L4 1.8L		71R6Y *	3727	37274	0.043
2000	L4 1.9L		N/A	N/A	N/A	
2000	L4 2.0L		N/A	N/A	N/A	
2000	V6 2.8L		71R6Y *	3727	37274	0.043
1999	L4 1.9L		N/A	N/A	N/A	
1999	L4 2.0L	Eng ABA	71R5Y	3725	37254	0.040
1999	L4 2.0L	Eng AEG	N/A	N/A	N/A	
1999	V6 2.8L	Eng AAA	71R5Y	3725	37254	0.040
1999	V6 2.8L	Eng AFP	71R5Y	3725	37254	0.040
1998	L4 1.8L		N/A	N/A	N/A	
1998	L4 1.9L	Eng AAZ	N/A	N/A	N/A	
1998	L4 1.9L	Eng AHU	N/A	N/A	N/A	
1998	L4 2.0L		71R5Y	3725	37254	0.040
1998	V6 2.8L		71R5Y	3725	37254	0.040
1997	L4 1.8L		N/A	N/A	N/A	
1997	L4 1.9L	Eng AAZ	N/A	N/A	N/A	
1997	L4 1.9L	Eng AHU	N/A	N/A	N/A	
1997	L4 2.0L		71R5Y	3725	37254	0.040
1997	V6 2.8L		71R5Y	3725	37254	0.040
1996-95	L4 1.8L		N/A	N/A	N/A	
1996-95	L4 1.9L		N/A	N/A	N/A	
1996-95	L4 2.0L		71R5Y	3725	37254	0.040
1996-95	V6 2.8L		71R5Y	3725	37254	0.040
1994	L4 1.8L		N/A	N/A	N/A	
1994	L4 1.9L		N/A	N/A	N/A	
1994	L4 2.0L		71R5Y	3725	37254	0.040
1993	L4 1.8L		N/A	N/A	N/A	
1993	L4 1.9L		N/A	N/A	N/A	
1993	L4 2.0L		71R6Y *	3727	37274	0.043
1992-91	L4 1.6L		N/A	N/A	N/A	
1992-91	L4 1.8L		N/A	N/A	N/A	
1992-91	L4 2.0L		71R6Y *	3727	37274	0.043



Make Model Year	Engine Size	Notes:	Plug Type	MSD PN Single	MSD PN 4-Pack	Pre-Gap Setting**
1990	L4 1.6L		N/A	N/A	N/A	
1990	L4 1.8L	8Valves	N/A	N/A	N/A	
1990	L4 2.0L		7IR6Y *	3727	37274	0.043
1989-88	L4 1.6L		N/A	N/A	N/A	
1989-88	L4 1.8L	Eng PF, 8Valves	N/A	N/A	N/A	
1989-88	L4 1.8L	Eng PL, 16Valves	N/A	N/A	N/A	
1989-88	L4 1.8L	Eng RV, 8Valves	N/A	N/A	N/A	
1987	L4 1.6L		N/A	N/A	N/A	
1987	L4 1.8L	Eng GX, 8Valves	N/A	N/A	N/A	
1987	L4 1.8L	Eng PL, 16Valves	N/A	N/A	N/A	
1987	L4 1.8L	Eng RD, 8Valves	N/A	N/A	N/A	
1986	L4 1.6L		N/A	N/A	N/A	
1986	L4 1.8L	Eng GX	N/A	N/A	N/A	
1986	L4 1.8L	Eng HT	7IR6Y *	3727	37274	0.043
1986	L4 1.8L	Eng RD	7IR6Y *	3727	37274	0.043
1985	L4 1.6L		N/A	N/A	N/A	
1985	L4 1.8L	Eng GX	N/A	N/A	N/A	
1985	L4 1.8L	Eng HT	N/A	N/A	N/A	
1985	L4 1.8L	Eng RD	N/A	N/A	N/A	
<b>Golf City</b>						
2010-09	L4 2.0L		N/A	N/A	N/A	
2008-07	L4 2.0L		N/A	N/A	N/A	
<b>GTI</b>						
2011-10	L4 2.0L		N/A	N/A	N/A	
2009-06	L4 2.0L		N/A	N/A	N/A	
<b>Jetta</b>						
2010-09	L4 2.0L	Eng CBFA	N/A	N/A	N/A	
2010-09	L4 2.0L	Eng CCTA	N/A	N/A	N/A	
2010-09	L5 2.5L		N/A	N/A	N/A	
2008-06	L4 2.0L		N/A	N/A	N/A	
2008-06	L5 2.5L		N/A	N/A	N/A	
2005	L4 1.8L		7IR6Y *	3727	37274	0.043
2005	L4 2.0L		N/A	N/A	N/A	
2005	L5 2.5L		N/A	N/A	N/A	
2004	L4 1.8L		7IR6Y *	3727	37274	0.043
2004	L4 1.9L	Eng ALH	N/A	N/A	N/A	
2004	L4 2.0L		N/A	N/A	N/A	
2004	V6 2.8L		N/A	N/A	N/A	
2003	L4 1.8L		7IR6Y *	3727	37274	0.043
2003	L4 1.9L		N/A	N/A	N/A	
2003	L4 2.0L		N/A	N/A	N/A	
2003	V6 2.8L		N/A	N/A	N/A	
2002	L4 1.8L		7IR6Y *	3727	37274	0.043
2002	L4 1.9L		N/A	N/A	N/A	
2002	L4 2.0L		N/A	N/A	N/A	
2002	V6 2.8L	Eng BDF	N/A	N/A	N/A	
2002	V6 2.8L	Eng AFP	7IR5Y	3725	37254	0.040
2001	L4 1.8L		7IR6Y *	3727	37274	0.043
2001	L4 1.9L		N/A	N/A	N/A	
2001	L4 2.0L	Eng AEG	N/A	N/A	N/A	
2001	L4 2.0L	Eng AVH	N/A	N/A	N/A	
2001	L4 2.0L	Eng AZG	N/A	N/A	N/A	
2001	V6 2.8L		7IR5Y	3725	37254	0.040
2000	L4 1.8L		7IR6Y *	3727	37274	0.043
2000	L4 1.9L		N/A	N/A	N/A	
2000	L4 2.0L		N/A	N/A	N/A	
2000	V6 2.8L		7IR5Y	3725	37254	0.040
1999	L4 1.9L		N/A	N/A	N/A	
1999	L4 2.0L	Eng ABA	7IR5Y	3725	37254	0.040
1999	L4 2.0L	Eng AEG	N/A	N/A	N/A	
1999	V6 2.8L	Eng AAA	7IR5Y	3725	37254	0.040
1999	V6 2.8L	Eng AFP	7IR5Y	3725	37254	0.040
1998-97	L4 1.9L		N/A	N/A	N/A	
1998-97	L4 2.0L		7IR5Y	3725	37254	0.040
1998-97	V6 2.8L		7IR5Y	3725	37254	0.040
1996	L4 1.9L	Eng AAZ	N/A	N/A	N/A	
1996	L4 1.9L	Eng AHU	N/A	N/A	N/A	
1996	L4 2.0L		7IR5Y	3725	37254	0.040
1996	V6 2.8L		7IR5Y	3725	37254	0.040

Make Model Year	Engine Size	Notes:	Plug Type	MSD PN Single	MSD PN 4-Pack	Pre-Gap Setting**
1995-94	L4 1.8L		N/A	N/A	N/A	
1995-94	L4 1.9L	Naturally Aspirated	N/A	N/A	N/A	
1995-94	L4 1.9L	Turbo	N/A	N/A	N/A	
1995-94	L4 2.0L		7IR5Y	3725	37254	0.040
1995-94	V6 2.8L		7IR5Y	3725	37254	0.040
1993	L4 1.8L		N/A	N/A	N/A	
1993	L4 1.9L	Naturally Aspirated	N/A	N/A	N/A	
1993	L4 1.9L	Turbo	N/A	N/A	N/A	
1993	L4 2.0L		7IR5Y	3725	37254	0.040
1992	L4 1.6L		N/A	N/A	N/A	
1992	L4 1.8L		N/A	N/A	N/A	
1992	L4 2.0L		7IR6Y *	3727	37274	0.043
1991	L4 1.6L		N/A	N/A	N/A	
1991	L4 1.8L		N/A	N/A	N/A	
1991	L4 2.0L		7IR6Y *	3727	37274	0.043
1990	L4 1.6L		N/A	N/A	N/A	
1990	L4 1.8L	8Valves	N/A	N/A	N/A	
1990	L4 1.8L	8V Eng.	N/A	N/A	N/A	
1990	L4 1.8L	16V Eng.	N/A	N/A	N/A	
1990	L4 2.0L		7IR6Y *	3727	37274	0.043
1989	L4 1.6L		N/A	N/A	N/A	
1989	L4 1.8L	Eng PF	N/A	N/A	N/A	
1989	L4 1.8L	Eng PF, 8Valves	N/A	N/A	N/A	
1989	L4 1.8L	Eng PL, 16Valves	N/A	N/A	N/A	
1989	L4 1.8L	Eng RV	N/A	N/A	N/A	
1989	L4 1.8L	Eng RV, 8Valves	N/A	N/A	N/A	
1988	L4 1.6L		N/A	N/A	N/A	
1988	L4 1.8L	Eng PF	N/A	N/A	N/A	
1988	L4 1.8L	Eng PF, 8Valves	N/A	N/A	N/A	
1988	L4 1.8L	Eng PL, 16Valves	N/A	N/A	N/A	
1988	L4 1.8L	Eng RD 8Valves	N/A	N/A	N/A	
1988	L4 1.8L	Eng RV, 8Valves	N/A	N/A	N/A	
1987	L4 1.6L		N/A	N/A	N/A	
1987	L4 1.8L	Eng GX, 8Valves	N/A	N/A	N/A	
1987	L4 1.8L	Eng PF, 8Valves	N/A	N/A	N/A	
1987	L4 1.8L	Eng PL, 16Valves	N/A	N/A	N/A	
1987	L4 1.8L	Eng RD, 8Valves	N/A	N/A	N/A	
1986-85	L4 1.6L		N/A	N/A	N/A	
1986-85	L4 1.8L		N/A	N/A	N/A	
1984	L4 1.6L		N/A	N/A	N/A	
1984	L4 1.7L		N/A	N/A	N/A	
1984	L4 1.8L		N/A	N/A	N/A	
1983-81	L4 1.6L		N/A	N/A	N/A	
1983-81	L4 1.7L		N/A	N/A	N/A	
1980	L4 1.6L		N/A	N/A	N/A	
<b>Jetta City</b>						
2009	L4 2.0L		N/A	N/A	N/A	
2008-07	L4 2.0L		N/A	N/A	N/A	
<b>Karmann Ghia</b>						
1974-70	H4 1.6L		15IR6	3740	37404	0.032
1969-67	H4 1.5L		15IR6	3740	37404	0.032
1966	H4 1.3L		15IR6	3740	37404	0.032
1965-56	H4 1.2L		15IR6	3740	37404	0.032
<b>Passat</b>						
2010-09	L4 2.0L		N/A	N/A	N/A	
2010-09	V6 3.6L		N/A	N/A	N/A	
2008-06	L4 2.0L		N/A	N/A	N/A	
2008-06	V6 3.6L		N/A	N/A	N/A	
2005	L4 1.8L		7IR6Y *	3727	37274	0.043
2005	V6 2.8L		7IR6Y *	3727	37274	0.043
2004-03	L4 1.8L		7IR6Y *	3727	37274	0.043
2004-03	V6 2.8L		7IR6Y *	3727	37274	0.043
2004-03	W8 4.0L		7IR6Y *	3727	37274	0.043
2002	L4 1.8L		7IR6Y *	3727	37274	0.043
2002	V6 2.8L		7IR6Y *	3727	37274	0.043
2002	W8 4.0L		7IR6Y *	3727	37274	0.043
2001	L4 1.8L		7IR6Y *	3727	37274	0.043
2001	V6 2.8L		7IR6Y *	3727	37274	0.043

CPB's = Coil Plug Boots  
 \*\* Pre-gapped for optimal performance.

\* Short Style 6 Series - PN 3741 (single), PN 37414 (4pk) - Pre-gapped 0.035  
 \* Short Style 7 Series - PN 3742 (single), PN 37424 (4pk) - Pre-gapped 0.035



**Volkswagen Passat continued**

Make Model Year	Engine Size	Notes:	Plug Type	MSD PN Single	MSD PN 4-Pack	Pre-Gap Setting**
2000	L4 1.8L		71R6Y *	3727	37274	0.043
2000	V6 2.8L		71R6Y *	3727	37274	0.043
1999	L4 1.8L	4 CPBs Req	71R6Y *	3727	37274	0.043
1999	V6 2.8L		71R6Y *	3727	37274	0.043
1998	L4 1.8L	4 CPBs Req	71R6Y *	3727	37274	0.043
1998	V6 2.8L		71R6Y *	3727	37274	0.043
1997	L4 1.9L	Eng AAZ	N/A	N/A	N/A	
1997	L4 1.9L	Eng AHU	N/A	N/A	N/A	
1997	V6 2.8L		71R5Y	3725	37254	0.040
1996	L4 1.9L	Eng 1Z	N/A	N/A	N/A	
1996	L4 1.9L	Eng AAZ	N/A	N/A	N/A	
1996	L4 2.0L		71R5Y	3725	37254	0.040
1996	V6 2.8L		71R5Y	3725	37254	0.040
1995	L4 1.9L		N/A	N/A	N/A	
1995	L4 2.0L		71R5Y	3725	37254	0.040
1995	V6 2.8L		71R5Y	3725	37254	0.040
1994	L4 1.8L		N/A	N/A	N/A	
1994	L4 1.9L		N/A	N/A	N/A	
1994	L4 2.0L		N/A	N/A	N/A	
1994	V6 2.8L		71R5Y	3725	37254	0.040
1993	L4 1.8L		N/A	N/A	N/A	
1993	L4 1.9L		N/A	N/A	N/A	
1993	L4 2.0L		N/A	N/A	N/A	
1993	V6 2.8L		71R5Y	3725	37254	0.040
1992	L4 1.8L		N/A	N/A	N/A	
1992	L4 2.0L		N/A	N/A	N/A	
1991	L4 1.8L		N/A	N/A	N/A	
1991	L4 2.0L		71R6Y *	3727	37274	0.043
1990	L4 2.0L		71R6Y *	3727	37274	0.043

**Passat CC**

2010-09	L4 2.0L		N/A	N/A	N/A	
2010-09	V6 3.6L		N/A	N/A	N/A	

**Phaeton**

2006	V8 4.2L		71R6Y *	3727	37274	0.043
2006	W12 6.0L		N/A	N/A	N/A	
2005	V8 4.2L		71R6Y *	3727	37274	0.043
2005	W12 6.0L		N/A	N/A	N/A	
2004	V8 4.2L		71R6Y *	3727	37274	0.043
2004	W12 6.0L		N/A	N/A	N/A	

**Quantum**

1988	L5 2.2L		N/A	N/A	N/A	
1987-86	L5 2.2L	Eng JT	N/A	N/A	N/A	
1987-86	L5 2.2L	Eng KX	N/A	N/A	N/A	
1985	L4 1.6L		N/A	N/A	N/A	
1985	L4 1.8L		N/A	N/A	N/A	
1985	L5 2.2L		N/A	N/A	N/A	
1984	L4 1.6L		N/A	N/A	N/A	
1984	L4 1.8L		N/A	N/A	N/A	
1984	L5 2.2L		N/A	N/A	N/A	
1983	L4 1.6L		N/A	N/A	N/A	
1983	L4 1.7L		N/A	N/A	N/A	
1983	L5 2.2L		N/A	N/A	N/A	
1982	L4 1.6L		N/A	N/A	N/A	
1982	L4 1.7L		N/A	N/A	N/A	

**R32**

2008	V6 3.2L		N/A	N/A	N/A	
------	---------	--	-----	-----	-----	--

**Rabbit**

2009-06	L5 2.5L		N/A	N/A	N/A	
1984	L4 1.6L		N/A	N/A	N/A	
1984	L4 1.7L		N/A	N/A	N/A	
1984	L4 1.8L		N/A	N/A	N/A	
1983	L4 1.6L		N/A	N/A	N/A	
1983	L4 1.7L	CARB	N/A	N/A	N/A	
1983	L4 1.7L	FI	N/A	N/A	N/A	
1983	L4 1.8L		N/A	N/A	N/A	
1982	L4 1.6L		N/A	N/A	N/A	
1982	L4 1.7L	Eng EN	N/A	N/A	N/A	
1982	L4 1.7L	Eng JF	N/A	N/A	N/A	

Make Model Year	Engine Size	Notes:	Plug Type	MSD PN Single	MSD PN 4-Pack	Pre-Gap Setting**
1981	L4 1.6L		N/A	N/A	N/A	
1981	L4 1.7L		N/A	N/A	N/A	
1980	L4 1.5L	DIESEL	N/A	N/A	N/A	
1980	L4 1.5L	GAS	11R5Y	3733	37334	0.035
1980	L4 1.6L	California	N/A	N/A	N/A	
1980	L4 1.6L	Non-California	11R5Y	3733	37334	0.035
1979-78	L4 1.5L	DIESEL	N/A	N/A	N/A	
1979-78	L4 1.5L	GAS	11R5Y	3733	37334	0.035
1977	L4 1.5L		N/A	N/A	N/A	
1977	L4 1.6L		11R5Y	3733	37334	0.035
1976	L4 1.6L		11R5Y	3733	37334	0.035
1975	L4 1.5L		11R5Y	3733	37334	0.035

**Rabbit Convertible**

1984	L4 1.8L		N/A	N/A	N/A	
1983-81	L4 1.7L		N/A	N/A	N/A	
1980	L4 1.6L	California	N/A	N/A	N/A	
1980	L4 1.6L	Non-California	11R5Y	3733	37334	0.035

**Rabbit Pickup**

1983-81	L4 1.6L		N/A	N/A	N/A	
1983-81	L4 1.7L		N/A	N/A	N/A	
1980	L4 1.5L		11R5Y	3733	37334	0.035
1980	L4 1.6L	California	N/A	N/A	N/A	
1980	L4 1.6L	Non-California	11R5Y	3733	37334	0.035

**Routan**

2010-09	V6 3.8L		51R5Y	3719	37194	0.040
2010-09	V6 4.0L		N/A	N/A	N/A	

**Scirocco**

1989	L4 1.8L		N/A	N/A	N/A	
1988	L4 1.8L	Eng JH	N/A	N/A	N/A	
1988	L4 1.8L	Eng PL	N/A	N/A	N/A	
1987	L4 1.8L	Eng JH	N/A	N/A	N/A	
1987	L4 1.8L	Eng PL	N/A	N/A	N/A	
1986	L4 1.8L	Eng JH	N/A	N/A	N/A	
1986	L4 1.8L	Eng PL	N/A	N/A	N/A	
1985	L4 1.8L		N/A	N/A	N/A	
1984	L4 1.8L	Late; w/Post in Dist. Towers	N/A	N/A	N/A	
1983	L4 1.7L	Vin A	N/A	N/A	N/A	
1983	L4 1.7L	Vin B	N/A	N/A	N/A	
1982-81	L4 1.7L		N/A	N/A	N/A	
1980	L4 1.6L	California	N/A	N/A	N/A	
1980	L4 1.6L	Non-California	11R5Y	3733	37334	0.035
1979	L4 1.6L		11R5Y	3733	37334	0.035
1978	L4 1.5L		11R5Y	3733	37334	0.035
1977-76	L4 1.6L		11R5Y	3733	37334	0.035
1975	L4 1.5L		11R5Y	3733	37334	0.035

**Squareback**

1973-66	H4 1.6L		15R6	3740	37404	0.032
---------	---------	--	------	------	-------	-------

**Super Beetle**

1980-71	H4 1.6L		15R6	3740	37404	0.032
---------	---------	--	------	------	-------	-------

**Thing**

1974-73	H4 1.6L		15R6	3740	37404	0.032
---------	---------	--	------	------	-------	-------

**Tiguan**

2011-09	L4 2.0L		N/A	N/A	N/A	
---------	---------	--	-----	-----	-----	--

**Touareg**

2011-10	V6 3.6L		N/A	N/A	N/A	
2009-08	V6 3.6L		N/A	N/A	N/A	
2009-08	V8 4.2L		71R6Y *	3727	37274	0.043
2007	V6 3.6L		N/A	N/A	N/A	
2007	V8 4.2L	Eng AXQ	71R6Y *	3727	37274	0.043
2007	V8 4.2L	Eng BAR	71R6Y *	3727	37274	0.043
2006-05	V6 3.2L		N/A	N/A	N/A	
2006-05	V8 4.2L		71R6Y *	3727	37274	0.043
2004	V6 3.2L		N/A	N/A	N/A	
2004	V8 4.2L		71R6Y *	3727	37274	0.043





Make Model Year	Engine Size	Notes:	Plug Type	MSD PN Single	MSD PN 4-Pack	Pre-Gap Setting**
<b>Transporter</b>						
1994	L5 2.4L		N/A	N/A	N/A	
1993	L5 2.4L		N/A	N/A	N/A	
1993	L5 2.5L		11R5Y	3733	37334	0.035
1992	L5 2.5L		11R5Y	3733	37334	0.035
1991-86	H4 2.1L		11R6	3734	37344	0.032
1985	H4 1.9L		11R6	3734	37344	0.032
1979-76	H4 2.0L		11R5	3732	37324	0.032
1975-74	H4 1.8L		11R5	3732	37324	0.032
1973	H4 1.7L	CARB	11R6	3734	37344	0.032
1973	H4 1.7L	FI	11R5	3732	37324	0.032
1972	H4 1.6L		N/A	N/A	N/A	
1972	H4 1.7L		11R5	3732	37324	0.032
1971-68	H4 1.6L		N/A	N/A	N/A	
1967	H4 1.5L		N/A	N/A	N/A	
1966-65	H4 1.5L		15R6	3740	37404	0.032
1964-63	H4 1.2L		15R6	3740	37404	0.032
1964-63	H4 1.5L		15R6	3740	37404	0.032
1962-54	H4 1.2L		15R6	3740	37404	0.032
1953-50	H4 1.1L		N/A	N/A	N/A	
<b>Vanagon</b>						
1991-86	H4 2.1L		11R6	3734	37344	0.032
1985	H4 1.9L		11R6	3734	37344	0.032
1984	H4 1.9L		11R6	3734	37344	0.032
1984	L4 1.6L		N/A	N/A	N/A	
1983	H4 1.9L		11R6	3734	37344	0.032
1983	H4 2.0L		11R5	3732	37324	0.032
1983	L4 1.6L		N/A	N/A	N/A	
1982	H4 2.0L		11R5	3732	37324	0.032
1982	L4 1.6L		N/A	N/A	N/A	
1981-80	H4 2.0L		11R5	3732	37324	0.032
<b>Volvo</b>						
<b>122</b>						
1968-67	L4 1.8L		N/A	N/A	N/A	
1966-62	L4 1.8L		13R6Y	3736	37364	0.032
1961	L4 1.6L		13R6Y	3736	37364	0.032
<b>142</b>						
1974-69	L4 2.0L		13R6Y	3736	37364	0.032
1968	L4 1.8L		N/A	N/A	N/A	
<b>144</b>						
1974-69	L4 2.0L		13R6Y	3736	37364	0.032
1968-67	L4 1.8L		N/A	N/A	N/A	
<b>145</b>						
1974-69	L4 2.0L		13R6Y	3736	37364	0.032
1968	L4 1.8L		N/A	N/A	N/A	
<b>164</b>						
1975	L6 3.0L		13R6Y	3736	37364	0.032
1974-73	L6 3.0L	Eng B30E	13R6Y	3736	37364	0.032
1972-71	L6 3.0L	Eng B30A	13R6Y	3736	37364	0.032
1972-71	L6 3.0L	Eng B30E	13R6Y	3736	37364	0.032
1970	L6 3.0L		13R6Y	3736	37364	0.032
<b>240</b>						
1993-90	L4 2.3L		N/A	N/A	N/A	
<b>242</b>						
1984-81	L4 2.1L		N/A	N/A	N/A	
1984-81	L4 2.3L		N/A	N/A	N/A	
1980-76	L4 2.1L		N/A	N/A	N/A	
1975	L4 2.0L		13R6Y	3736	37364	0.032
<b>244</b>						
1989-88	L4 2.3L		N/A	N/A	N/A	
1987-86	L4 2.3L		N/A	N/A	N/A	
1985	L4 2.1L		N/A	N/A	N/A	
1985	L4 2.3L		N/A	N/A	N/A	
1984-82	L4 2.1L		N/A	N/A	N/A	
1984-82	L4 2.3L		N/A	N/A	N/A	
1984-82	L6 2.4L		N/A	N/A	N/A	

Make Model Year	Engine Size	Notes:	Plug Type	MSD PN Single	MSD PN 4-Pack	Pre-Gap Setting**
1981	L4 2.1L		N/A	N/A	N/A	
1981	L4 2.3L		N/A	N/A	N/A	
1980-76	L4 2.1L		N/A	N/A	N/A	
1975	L4 2.0L		13R6Y	3736	37364	0.032
<b>245</b>						
1989-88	L4 2.3L		N/A	N/A	N/A	
1987-86	L4 2.3L		N/A	N/A	N/A	
1985	L4 2.1L		N/A	N/A	N/A	
1985	L4 2.3L		N/A	N/A	N/A	
1984-83	L4 2.1L		N/A	N/A	N/A	
1984-83	L4 2.3L		N/A	N/A	N/A	
1984-83	L6 2.4L		N/A	N/A	N/A	
1982	L4 2.1L		N/A	N/A	N/A	
1982	L4 2.3L		N/A	N/A	N/A	
1982	L6 2.4L		N/A	N/A	N/A	
1981	L4 2.1L		N/A	N/A	N/A	
1981	L4 2.3L		N/A	N/A	N/A	
1980-76	L4 2.1L		N/A	N/A	N/A	
1975	L4 2.0L		13R6Y	3736	37364	0.032
<b>262</b>						
1981-80	V6 2.8L		11R5Y	3713	37134	0.043
1979-78	V6 2.7L		11R5Y	3713	37134	0.043
1976	V6 2.7L		11R5Y	3713	37134	0.043
<b>264</b>						
1982	V6 2.8L		11R5Y	3713	37134	0.043
1981-80	L4 2.1L		N/A	N/A	N/A	
1981-80	L6 2.4L		N/A	N/A	N/A	
1981-80	V6 2.8L		11R5Y	3713	37134	0.043
1979-76	V6 2.7L		11R5Y	3713	37134	0.043
<b>265</b>						
1981	V6 2.8L		11R5Y	3713	37134	0.043
1980	L6 2.4L		N/A	N/A	N/A	
1980	V6 2.8L		11R5Y	3713	37134	0.043
1979-76	V6 2.7L		11R5Y	3713	37134	0.043
<b>445</b>						
1960-59	L4 1.6L		13R6Y	3736	37364	0.032
<b>544</b>						
1965-62	L4 1.8L		13R6Y	3736	37364	0.032
1961-59	L4 1.6L		13R6Y	3736	37364	0.032
<b>740</b>						
1992-91	L4 2.3L	Eng B230F, Naturally Aspirated, w/Bosch Coil	N/A	N/A	N/A	
1992-91	L4 2.3L	Eng B230F, Naturally Aspirated, w/Rex Coil	N/A	N/A	N/A	
1992-91	L4 2.3L	Eng B230FT, Turbo	N/A	N/A	N/A	
1990-89	L4 2.3L	Eng B230F, Naturally Aspirated, w/Bosch Coil	N/A	N/A	N/A	
1990-89	L4 2.3L	Eng B230F, Naturally Aspirated, w/Rex Coil	N/A	N/A	N/A	
1990-89	L4 2.3L	Eng B230FT, Turbo	N/A	N/A	N/A	
1990-89	L4 2.3L	Eng B234F, Naturally Aspirated	N/A	N/A	N/A	
1988	L4 2.3L		N/A	N/A	N/A	
1987	L4 2.3L		N/A	N/A	N/A	
1986	L4 2.3L		N/A	N/A	N/A	
1986	L6 2.4L		N/A	N/A	N/A	
1985	L4 2.3L		N/A	N/A	N/A	
<b>745</b>						
1985	L4 2.3L		N/A	N/A	N/A	
1985	L6 2.4L		N/A	N/A	N/A	
<b>760</b>						
1990-88	L4 2.3L		11R5Y	3733	37334	0.035
1990-88	V6 2.8L		11R5Y	3713	37134	0.043
1987	L4 2.3L		N/A	N/A	N/A	
1987	V6 2.8L		11R5Y	3713	37134	0.043
1986	L4 2.3L		11R5Y	3733	37334	0.035
1986	V6 2.8L		11R5Y	3713	37134	0.043
1985-84	L4 2.3L		11R5Y	3733	37334	0.035
1985-84	L6 2.4L		N/A	N/A	N/A	
1985-84	V6 2.8L		11R5Y	3713	37134	0.043
1983	L6 2.4L		N/A	N/A	N/A	
1983	V6 2.8L		11R5Y	3713	37134	0.043

CPB's = Coil Plug Boots  
 \*\* Pre-gapped for optimal performance.

\* Short Style 6 Series - PN 3741 (single), PN 37414 (4pk) - Pre-gapped 0.035  
 \* Short Style 7 Series - PN 3742 (single), PN 37424 (4pk) - Pre-gapped 0.035



**Volvo 780**

Make Model Year	Engine Size	Notes:	Plug Type	MSD PN Single	MSD PN 4-Pack	Pre-Gap Setting**
<b>780</b>						
1991	L4 2.3L		N/A	N/A	N/A	
1990-89	L4 2.3L		N/A	N/A	N/A	
1990-89	V6 2.8L		11R5Y	3713	37134	0.043
1988-87	V6 2.8L		11R5Y	3713	37134	0.043
<b>850</b>						
1997	L5 2.3L	Eng B5234T1	N/A	N/A	N/A	
1997	L5 2.3L	Eng B5234T5	71R6Y *	3727	37274	0.043
1997	L5 2.4L	Naturally Aspirated	71R6Y *	3727	37274	0.043
1997	L5 2.4L	Turbo	71R6Y *	3727	37274	0.043
1996-95	L5 2.3L		71R6Y *	3727	37274	0.043
1996-95	L5 2.4L		71R6Y *	3727	37274	0.043
1994	L5 2.3L		N/A	N/A	N/A	
1994	L5 2.4L		71R6Y *	3727	37274	0.043
1993	L5 2.4L		71R6Y *	3727	37274	0.043
<b>940</b>						
1995-94	L4 2.3L	w/o Window Ant.; Bosch Coil	N/A	N/A	N/A	
1995-94	L4 2.3L	w/o Window Ant.; Regina Coil	N/A	N/A	N/A	
1995-94	L4 2.3L	w/Window Ant.	N/A	N/A	N/A	
1993-91	L4 2.3L	Naturally Aspirated	N/A	N/A	N/A	
1993-91	L4 2.3L	Turbo	N/A	N/A	N/A	
<b>960</b>						
1997-95	L6 2.9L		71R6Y *	3727	37274	0.043
1994-92	L6 2.9L		71R6Y *	3727	37274	0.043
<b>1800</b>						
1973	L4 2.0L		131R6Y	3736	37364	0.032
1972-70	L4 2.0L		N/A	N/A	N/A	
1967	L4 1.8L	Eng B18B	N/A	N/A	N/A	
1963-61	L4 1.8L		131R6Y	3736	37364	0.032
<b>C30</b>						
2011	L5 2.5L		N/A	N/A	N/A	
2010-07	L5 2.4L		N/A	N/A	N/A	
2010-07	L5 2.5L		N/A	N/A	N/A	
<b>C70</b>						
2010-06	L5 2.5L		N/A	N/A	N/A	
2004	L5 2.3L		71R6Y *	3727	37274	0.043
2004	L5 2.4L		71R6Y *	3727	37274	0.043
2003-99	L5 2.3L	5 CPBs Req	71R6Y *	3727	37274	0.043
2003-99	L5 2.4L	5 CPBs Req	71R6Y *	3727	37274	0.043
1998	L5 2.3L		71R6Y *	3727	37274	0.043
1998	L5 2.4L		71R6Y *	3727	37274	0.043
<b>DL</b>						
1984	L4 2.1L		111R5Y	3733	37334	0.035
<b>GLE</b>						
1984	L4 2.3L		111R5Y	3733	37334	0.035
<b>S40</b>						
2011	L5 2.5L		N/A	N/A	N/A	
2010-09	L5 2.4L		N/A	N/A	N/A	
2010-09	L5 2.5L		N/A	N/A	N/A	
2008-05	L5 2.4L	5 CPBs Req	N/A	N/A	N/A	
2008-05	L5 2.5L		N/A	N/A	N/A	
2004	L4 1.9L		71R6Y *	3727	37274	0.043
2004	L5 2.4L	5 CPBs Req	N/A	N/A	N/A	
2004	L5 2.5L		N/A	N/A	N/A	
2003	L4 1.9L		71R6Y *	3727	37274	0.043
<b>S60</b>						
2012-11	L6 3.0L		N/A	N/A	N/A	
2009-08	L5 2.4L		N/A	N/A	N/A	
2009-08	L5 2.5L		71R6Y *	3727	37274	0.043
2007-06	L5 2.4L		N/A	N/A	N/A	
2007-06	L5 2.5L	Eng B5254T2	71R6Y *	3727	37274	0.043
2007-06	L5 2.5L	Eng B5254T4	N/A	N/A	N/A	
2005	L5 2.4L	Naturally Aspirated	71R6Y *	3727	37274	0.043
2005	L5 2.4L	Turbo	N/A	N/A	N/A	
2005	L5 2.5L	Eng B5254T2	71R6Y *	3727	37274	0.043
2005	L5 2.5L	Eng B5254T4	N/A	N/A	N/A	

Make Model Year	Engine Size	Notes:	Plug Type	MSD PN Single	MSD PN 4-Pack	Pre-Gap Setting**
2005	L5 2.5L	Eng B5254T4	N/A	N/A	N/A	
2004	L5 2.3L	5 CPBs Req	71R6Y *	3727	37274	0.043
2004	L5 2.4L	Eng B5244S	71R6Y *	3727	37274	0.043
2004	L5 2.5L	Eng B5254T2	71R6Y *	3727	37274	0.043
2004	L5 2.5L	Eng B5254T4	N/A	N/A	N/A	
2003	L5 2.3L	5 CPBs Req	71R6Y *	3727	37274	0.043
2003	L5 2.4L	Naturally Aspirated	71R6Y *	3727	37274	0.043
2003	L5 2.4L	Turbo, 5 CPBs Req	71R6Y *	3727	37274	0.043
2003	L5 2.5L		71R6Y *	3727	37274	0.043
2002	L5 2.3L	5 CPBs Req	71R6Y *	3727	37274	0.043
2002	L5 2.4L	Naturally Aspirated	71R6Y *	3727	37274	0.043
2002	L5 2.4L	Turbo, 5 CPBs Req	71R6Y *	3727	37274	0.043
2001	L5 2.3L	5 CPBs Req	71R6Y *	3727	37274	0.043
2001	L5 2.4L	Naturally Aspirated	71R6Y *	3727	37274	0.043
2001	L5 2.4L	Turbo, 5 CPBs Req	71R6Y *	3727	37274	0.043
<b>S70</b>						
2000-99	L5 2.3L	5 CPBs Req	71R6Y *	3727	37274	0.043
2000-99	L5 2.4L	Naturally Aspirated, 5 CPBs Req	71R6Y *	3727	37274	0.043
2000-99	L5 2.4L	Turbo, 5 CPBs Req	71R6Y *	3727	37274	0.043
1998	L5 2.3L		71R6Y *	3727	37274	0.043
1998	L5 2.4L	Naturally Aspirated	71R6Y *	3727	37274	0.043
1998	L5 2.4L	Turbo	71R6Y *	3727	37274	0.043
<b>S80</b>						
2011	L6 3.0L		N/A	N/A	N/A	
2011	L6 3.2L		N/A	N/A	N/A	
2010-08	L6 3.0L		N/A	N/A	N/A	
2010-08	L6 3.2L		N/A	N/A	N/A	
2010-08	V8 4.4L		71R6Y *	3727	37274	0.043
2007	L6 3.2L		N/A	N/A	N/A	
2007	V8 4.4L		71R6Y *	3727	37274	0.043
2006	L5 2.5L		71R6Y *	3727	37274	0.043
2005	L5 2.5L		71R6Y *	3727	37274	0.043
2005	L6 2.9L	6 CPBs Req	71R6Y *	3727	37274	0.043
2004	L5 2.5L		71R6Y *	3727	37274	0.043
2004	L6 2.9L	Naturally Aspirated, 6 CPBs Req	71R6Y *	3727	37274	0.043
2004	L6 2.9L	Turbo, 6 CPBs Req	71R6Y *	3727	37274	0.043
2003-02	L6 2.9L	Naturally Aspirated, 6 CPBs Req	71R6Y *	3727	37274	0.043
2003-02	L6 2.9L	Turbo, 6 CPBs Req	71R6Y *	3727	37274	0.043
2001-99	L6 2.8L	6 CPBs Req	71R6Y *	3727	37274	0.043
2001-99	L6 2.9L	6 CPBs Req	71R6Y *	3727	37274	0.043
<b>S90</b>						
1998-97	L6 2.9L		71R6Y *	3727	37274	0.043
<b>V40</b>						
2004	L4 1.9L		71R6Y *	3727	37274	0.043
<b>V50</b>						
2011	L5 2.5L		N/A	N/A	N/A	
2010-09	L5 2.4L		N/A	N/A	N/A	
2010-09	L5 2.5L		N/A	N/A	N/A	
2008-05	L5 2.4L	5 CPBs Req	N/A	N/A	N/A	
2008-05	L5 2.5L		N/A	N/A	N/A	
<b>V70</b>						
2010-08	L6 3.2L		N/A	N/A	N/A	
2007-06	L5 2.4L		71R6Y *	3727	37274	0.043
2007-06	L5 2.5L	Eng B5254T2	71R6Y *	3727	37274	0.043
2007-06	L5 2.5L	Eng B5254T4	N/A	N/A	N/A	
2005	L5 2.4L	Naturally Aspirated	71R6Y *	3727	37274	0.043
2005	L5 2.4L	Turbo	N/A	N/A	N/A	
2005	L5 2.5L	Eng B5254T2	71R6Y *	3727	37274	0.043
2005	L5 2.5L	Eng B5254T4	N/A	N/A	N/A	
2004	L5 2.3L	5 CPBs Req	71R6Y *	3727	37274	0.043
2004	L5 2.4L		71R6Y *	3727	37274	0.043
2004	L5 2.5L	Eng B5254T2	71R6Y *	3727	37274	0.043
2004	L5 2.5L	Eng B5254T4	N/A	N/A	N/A	
2003	L5 2.3L	5 CPBs Req	71R6Y *	3727	37274	0.043

\* Short Style 6 Series - PN 3741 (single), PN 37414 (4pk) - Pre-gapped 0.035  
 \* Short Style 7 Series - PN 3742 (single), PN 37424 (4pk) - Pre-gapped 0.035

CPB's = Coil Plug Boots  
 \*\* Pre-gapped for optimal performance.



Make Model Year	Engine Size	Notes:	Plug Type	MSD PN Single	MSD PN 4-Pack	Pre-Gap Setting**
2003	L5 2.4L	Naturally Aspirated	7IR6Y *	3727	37274	0.043
2003	L5 2.4L	Turbo, 5 CPBs Req	7IR6Y *	3727	37274	0.043
2003	L5 2.5L		7IR6Y *	3727	37274	0.043
2002	L5 2.3L	5 CPBs Req	7IR6Y *	3727	37274	0.043
2002	L5 2.4L	Naturally Aspirated	7IR6Y *	3727	37274	0.043
2002	L5 2.4L	Turbo, 5 CPBs Req	7IR6Y *	3727	37274	0.043
1999	L5 2.3L	5 CPBs Req	7IR6Y *	3727	37274	0.043
1999	L5 2.4L	Naturally Aspirated, 5 CPBs Req	7IR6Y *	3727	37274	0.043
1999	L5 2.4L	Turbo, 5 CPBs Req	7IR6Y *	3727	37274	0.043
1998	L5 2.3L		7IR6Y *	3727	37274	0.043
1998	L5 2.4L	Naturally Aspirated	7IR6Y *	3727	37274	0.043
1998	L5 2.4L	Turbo	7IR6Y *	3727	37274	0.043
<b>V90</b>						
1998-97	L6 2.9L		7IR6Y *	3727	37274	0.043
<b>XC60</b>						
2011-10	L6 3.0L		N/A	N/A	N/A	
2011-10	L6 3.2L		N/A	N/A	N/A	
<b>XC70</b>						
2011-09	L6 3.0L		N/A	N/A	N/A	
2011-09	L6 3.2L		N/A	N/A	N/A	
2008	L6 3.2L		N/A	N/A	N/A	
2007-03	L5 2.5L	5 CPBs Req	7IR6Y *	3727	37274	0.043
<b>XC90</b>						
2011-09	L6 3.2L		N/A	N/A	N/A	
2011-09	V8 4.4L		7IR6Y *	3727	37274	0.043
2008	L6 3.2L	6 CPBs Req	N/A	N/A	N/A	
2008	V8 4.4L		7IR6Y *	3727	37274	0.043
2007	L6 3.2L		N/A	N/A	N/A	
2007	V8 4.4L		7IR6Y *	3727	37274	0.043
2006	L5 2.5L	5 CPBs Req	7IR6Y *	3727	37274	0.043
2006	V8 4.4L		7IR6Y *	3727	37274	0.043
2005	L5 2.5L	5 CPBs Req	7IR6Y *	3727	37274	0.043
2005	L6 2.9L	6 CPBs Req	7IR6Y *	3727	37274	0.043
2005	V8 4.4L		7IR6Y *	3727	37274	0.043
2004-03	L5 2.5L	5 CPBs Req	7IR6Y *	3727	37274	0.043
2004-03	L6 2.9L	6 CPBs Req	7IR6Y *	3727	37274	0.043
<b>Yugo</b>						
<b>Cabrio</b>						
1992-90	L4 1.3L		11IR5Y	3733	37334	0.035
<b>GV</b>						
1992-90	L4 1.3L		11IR5Y	3733	37334	0.035
1989-86	L4 1.1L		11IR5Y	3733	37334	0.035
<b>GVL</b>						
1989-88	L4 1.1L		11IR5Y	3733	37334	0.035
<b>GVS</b>						
1988	L4 1.1L		11IR5Y	3733	37334	0.035

CPB's = Coil Plug Boots

\*\* Pre-gapped for optimal performance.

\* Short Style 6 Series - PN 3741 (single), PN 37414 (4pk) - Pre-gapped 0.035

\* Short Style 7 Series - PN 3742 (single), PN 37424 (4pk) - Pre-gapped 0.035



**MSD CROSS REFERENCE WITH NGK** For reference use only

NGK	4-Pack PN	Plug Style
7554	37174	4IR7Y
B-4	37374	15IR4
B4LM	37374	15IR4
B5ES	37324	11IR5
B6ES	37344	11IR6
B6S	37404	15IR6
BCP4ES-11	37244	7IR4Y
BCP6ES-11	37274	7IR6Y
BCP6ES-11	37424	7IR6YS
BCPR4ES-11	37244	7IR4Y
BCPR4EY-11	37244	7IR4Y
BCPR5EGP	37254	7IR5Y
BCPR5EP-11	37254	7IR5Y
BCPR5ES-11	37254	7IR5Y
BCPR5EVX-11	37254	7IR5Y
BCPR6EGP	37274	7IR6Y
BCPR6EGP	37424	7IR6YS
BCPR6EP-11	37274	7IR6Y
BCPR6EP-11	37424	7IR6YS
BCPR6EP-N-11	37274	7IR6Y
BCPR6EP-N-11	37424	7IR6YS
BCPR6ES-11	37274	7IR6Y
BCPR6ES-11	37424	7IR6YS
BCPR6EVX-11	37274	7IR6Y
BCPR6EVX-11	37424	7IR6YS
BKR4E-11	37244	7IR4Y
BKR4ES-11	37244	7IR4Y
BKR4EY-11	37244	7IR4Y
BKR5EGP	37254	7IR5Y
BKR5EP-11	37254	7IR5Y
BKR5ES-11	37254	7IR5Y
BKR5ESA-11	37254	7IR5Y
BKR5EVX-11	37254	7IR5Y
BKR6EGP	37274	7IR6Y
BKR6EGP	37424	7IR6YS
BKR6EP-11	37274	7IR6Y
BKR6EP-11	37424	7IR6YS
BKR6ES-11	37274	7IR6Y
BKR6ES-11	37424	7IR6YS
BKR6ESZ-10	37274	7IR6Y
BKR6ESZ-10	37424	7IR6YS
BKR6EVX-11	37274	7IR6Y
BKR6EVX-11	37424	7IR6YS
BKR6EVXA-11	37274	7IR6Y
BKR6EVXA-11	37424	7IR6YS
BP-4	37384	15IR4Y
BP4FS	37204	6IR4Y
BP5FS	37224	6IR5Y
BP5HS	37354	13IR5Y
BP5S	37394	15IR5Y
BP6FS	37234	6IR6Y
BP6FS	37414	6IR6YS
BP6HS	37364	13IR6Y
BP6HSA	37364	13IR6Y
BPR4ES	37314	11IR4Y
BPR4EY	37314	11IR4Y
BPR4FS	37204	6IR4Y
BPR5EA-L	37334	11IR5Y

NGK	4-Pack PN	Plug Style
BPR5EFS-10	37134	11R5Y
BPR5ES	37334	11R5Y
BPR5EVX	37334	11R5Y
BPR5EY	37334	11R5Y
BPR5FS	37224	6IR5Y
BPR5HS	37354	13IR5Y
BPR6EF-11	37144	11R6Y
BPR6FS	37234	6IR6Y
BPR6FS	37414	6IR6YS
BPR6HS	37364	13IR6Y
BPR6HSA	37364	13IR6Y
BR5ES	37324	11IR5
BR5FS	37214	6IR5
BR6ES	37344	11IR6
BR6ES-D	37344	11IR6
BR6S	37404	15IR6
FR4AP-10	37244	7IR4Y
FR4AP-11	37244	7IR4Y
FR4BP-11	37244	7IR4Y
FR5	37254	7IR5Y
FR5-1	37284	8IR5L
FR5AP-10	37254	7IR5Y
FR5AP-11	37254	7IR5Y
FR5AP-11E	37254	7IR5Y
FR6AP-11	37274	7IR6Y
FR6AP-11	37424	7IR6YS
ILTR6B-11	37434	5IR6Y
ILTR6E11	37434	5IR6Y
IZTR5B11	37124	11R5L
LFR5A-11	37304	9IR5Y
LFR5AGP	37304	9IR5Y
LTR5GP	37194	5IR5Y
LTR6IX-11	37434	5IR6Y
LZFR5C-11	37294	9IR5L
LZTR4A-11	37184	5IR4L
LZTR4AGP	37184	5IR4L
N/A	37164	3IR6
PFR4B-11	37244	7IR4Y
PFR4C-11	37244	7IR4Y
PFR4G-11	37244	7IR4Y
PFR5A-11	37254	7IR5Y
PFR5B-11	37254	7IR5Y
PFR5B-11B	37254	7IR5Y
PFR5C-11	37254	7IR5Y
PFR5F-11A	37254	7IR5Y
PFR5G-11	37254	7IR5Y
PFR5G-11E	37254	7IR5Y
PFR5J-11	37254	7IR5Y
PFR5K-11	37254	7IR5Y
PFR5L-11	37254	7IR5Y
PFR5N-11	37254	7IR5Y
PFR5P-11	37254	7IR5Y
PFR5R-11	37254	7IR5Y
PFR6A-11	37274	7IR6Y
PFR6A-11	37424	7IR6YS
PFR6A-11A	37274	7IR6Y
PFR6A-11A	37424	7IR6YS
PFR6B-11	37274	7IR6Y

NGK	4-Pack PN	Plug Style
PFR6B-11	37424	7IR6YS
PFR6B-11B	37274	7IR6Y
PFR6B-11B	37424	7IR6YS
PFR6B-11C	37274	7IR6Y
PFR6B-11C	37424	7IR6YS
PFR6C-11	37274	7IR6Y
PFR6C-11	37424	7IR6YS
PFR6D10G	37274	7IR6Y
PFR6D10G	37424	7IR6YS
PFR6E-10	37274	7IR6Y
PFR6E-10	37424	7IR6YS
PFR6E-11	37274	7IR6Y
PFR6E-11	37424	7IR6YS
PFR6F-11A	37274	7IR6Y
PFR6F-11A	37424	7IR6YS
PFR6G-11	37274	7IR6Y
PFR6G-11	37424	7IR6YS
PFR6H-10	37274	7IR6Y
PFR6H-10	37424	7IR6YS
PFR6J-11	37274	7IR6Y
PFR6J-11	37424	7IR6YS
PFR6K-11	37274	7IR6Y
PFR6K-11	37424	7IR6YS
PFR6L-11	37274	7IR6Y
PFR6L-11	37424	7IR6YS
PFR6N-11	37274	7IR6Y
PFR6N-11	37424	7IR6YS
PFR6P-11	37274	7IR6Y
PFR6P-11	37424	7IR6YS
PFR6T-10G	37274	7IR6Y
PFR6T-10G	37424	7IR6YS
PFR6U-11G	37274	7IR6Y
PFR6U-11G	37424	7IR6YS
PFR6X-11	37274	7IR6Y
PFR6X-11	37424	7IR6YS
PGR5A	37334	11IR5Y
PLFR5A-11	37304	9IR5Y
PTR4B-15	37114	11R4Y
PTR5D-10	37134	11R5Y
PTR5F-11	37134	11R5Y
PZFR6F	37264	7IR6L
PZTR5A-15	37124	11R5L
TR4	37114	11R4Y
TR5	37134	11R5Y
TR5-1	37154	21R5L
TR5-1GP	37154	21R5L
TR6	37144	11R6Y
TR6GP	37144	11R6Y
UR4	37204	6IR4Y
UR5	37224	6IR5Y
UR6	37234	6IR6Y
UR6	37414	6IR6YS
WR5	37444	16IR5Y
XR4	37384	15IR4Y
ZFR5D-11	37284	8IR5L
ZFR5E-11	37284	8IR5L
ZFR6F	37264	7IR6L
ZNAR7AIX	37174	4IR7Y







**MSD CROSS REFERENCE WITH AUTOLITE** For reference use only

AUTOLITE	4-Pack PN	Plug Style
23	37234	6IR6Y
23	37414	6IR6YS
24	37234	6IR6Y
24	37414	6IR6YS
25	37224	6IR5Y
26	37204	6IR4Y
45	37444	16IR5Y
65	37334	11IR5Y
67	37314	11IR4Y
85	37394	15IR5Y
86	37384	15IR4Y
103	37144	11R6Y
104	37134	11R5Y
145	37214	6IR5
203	37234	6IR6Y
203	37414	6IR6YS
275	37354	13IR5Y
284	37364	13IR6Y
302	37404	15IR6
303	37404	15IR6
363	37404	15IR6
396	37324	11IR5
403	37344	11IR6
404	37344	11IR6
405	37324	11IR5

AUTOLITE	4-Pack PN	Plug Style
406	37324	11IR5
456	37374	15IR4
515	37354	13IR5Y
764	37154	2IR5L
765	37134	11R5Y
865	37134	11R5Y
935	37334	11IR5Y
945	37334	11IR5Y
985	37284	8IR5L
2546	37154	2IR5L
2585	37334	11IR5Y
3205	37334	11IR5Y
3303	37234	6IR6Y
3303	37414	6IR6YS
3364	37364	13IR6Y
3382	37404	15IR6
3388	37404	15IR6
3463	37344	11IR6
3464	37344	11IR6
3465	37324	11IR5
3466	37324	11IR5
3565	37134	11R5Y
3705	37344	11IR6
3924	37254	7IR5Y
3926	37244	7IR4Y

AUTOLITE	4-Pack PN	Plug Style
4123	37364	13IR6Y
4275	37394	15IR5Y
5144	37154	2IR5L
AP2544	37154	2IR5L
AP5143	37154	2IR5L
AP5263	37184	5IR4L
APP3923	37274	7IR6Y
APP3923	37424	7IR6YS
APP45	37444	16IR5Y
APP5224	37264	7IR6L
APP5325	37294	9IR5L
APP5325	37304	9IR5Y
APP5364	37194	5IR5Y
APP605	37124	11R5L
APP606	37114	11R4Y
HT1	37164	3IR6
HT15	37164	3IR6
HT2	37164	3IR6
N/A	37174	4IR7Y
PZT1F	37164	3IR6
SP-462	37164	3IR6
XP103	37144	11R6Y
XP105	37134	11R5Y
XP106	37114	11R4Y
XP5364	37434	5IR6Y

**MSD CROSS REFERENCE WITH CHAMPION** For reference use only

CHAMPION	4-Pack PN	Plug Style
15	37114	11R4Y
20	37134	11R5Y
21	37444	16IR5Y
22	37444	16IR5Y
58	37384	15IR4Y
63	37394	15IR5Y
82	37284	8IR5L
120	37344	11IR6
304	37144	11R6Y
322	37334	11IR5Y
327	37364	13IR6Y
400	37234	6IR6Y
400	37414	6IR6YS
403	37154	2IR5L
404	37334	11IR5Y
408	37114	11R4Y
412	37284	8IR5L
443	37184	5IR4L
570	37184	5IR4L
806	37354	13IR5Y
845	37374	15IR4
871	37404	15IR6
909	37114	11R4Y
929	37354	13IR5Y
975	37304	9IR5Y
2071	37254	7IR5Y
3412	37284	8IR5L
4408	37134	11R5Y
7437	37194	5IR5Y

CHAMPION	4-Pack PN	Plug Style
7989	37164	3IR6
8405	37334	11IR5Y
15S	37114	11R4Y
401C2	37124	11R5L
407S	37154	2IR5L
408S	37134	11R5Y
412C2	37284	8IR5L
4408-2	37134	11R5Y
BN9Y	37144	11R6Y
J11C	37404	15IR6
J17LM	37374	15IR4
L12Y	37354	13IR5Y
L66Y	37364	13IR6Y
L92YC	37354	13IR5Y
RET8ZWMPB4	37174	4IR7Y
N5C	37344	11IR6
N5G	37344	11IR6
RBL9Y	37234	6IR6Y
RBL9Y	37414	6IR6YS
RC12LC	37264	7IR6L
RC12LYC	37284	8IR5L
RC12YC	37254	7IR5Y
RC14YC	37244	7IR4Y
RC9YC	37274	7IR6Y
RC9YC	37424	7IR6YS
RE14MCC4	37184	5IR4L
RE14MCC5	37184	5IR4L
RE16MC	37184	5IR4L
RE7PYP6	37194	5IR5Y

CHAMPION	4-Pack PN	Plug Style
REC10YC4	37304	9IR5Y
RF11YC	37444	16IR5Y
RF14YC	37444	16IR5Y
RJ14YC	37394	15IR5Y
RJ18YC	37384	15IR4Y
RJ6C	37404	15IR6
RJ8C	37404	15IR6
RL86YC	37364	13IR6Y
RL95YC	37354	13IR5Y
RN11YC4	37334	11IR5Y
RN12YC	37334	11IR5Y
RN14YC	37314	11IR4Y
RN16Y	37314	11IR4Y
RN4C	37344	11IR6
RN5C	37324	11IR5
RS10LC	37154	2IR5L
RS14LC	37154	2IR5L
RS14YC	37134	11R5Y
RS14YC6	37154	2IR5L
RS9YC	37144	11R6Y
RV12C	37214	6IR5
RV12YC	37224	6IR5Y
RV15YC4	37204	6IR4Y
RV9YC	37234	6IR6Y
RV9YC	37414	6IR6YS
UJ8	37404	15IR6
REC12MCC4	37294	9IR5L
RE10WYPB5	37434	5IR6Y

**MSD CROSS REFERENCE WITH DENSO** For reference use only

DENSO	4-Pack PN	Plug Style
IK16	37254	7IR5Y
IK20	37274	7IR6Y
IK20	37424	7IR6YS
IKH16	37294	9IR5L
IKH16	37304	9IR5Y
IT16	37114	11R4Y
IT20	37134	11R5Y
IT22	37144	11R6Y
ITF16	37214	6IR5
ITF16	37224	6IR5Y
ITF20	37234	6IR6Y
ITF20	37414	6IR6YS

DENSO	4-Pack PN	Plug Style
ITV16	37184	5IR4L
ITV16	37194	5IR5Y
ITV20	37434	5IR6Y
IWF16	37354	13IR5Y
IWF20	37364	13IR6Y
MA16PR-U	37444	16IR5Y
N/A	37164	3IR6
N/A	37174	4IR7Y
PKJ20CR8	37264	7IR6L
Q14RU11	37244	7IR4Y
SKJ16DR-M11	37284	8IR5L

DENSO	4-Pack PN	Plug Style
T14PR-U	37204	6IR4Y
T16NR-U11	37154	2IR5L
TJ14R-P15	37124	11R5L
W14EPR-U	37314	11IR4Y
W14P-U	37384	15IR4Y
W14US	37374	15IR4
W16EPR-U	37334	11IR5Y
W16ESR-U	37324	11IR5
W16P-U	37394	15IR5Y
W20ESR-U	37344	11IR6
W20SR-U	37404	15IR6



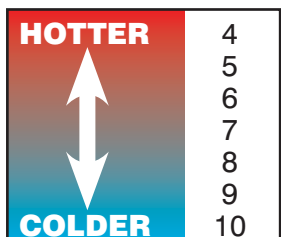
## AFTERMARKET CYLINDER HEAD CROSS REFERENCE

CYLINDER HEAD MANUFACTURER	MSD Plugs			
<b>AIR FLOW RESEARCH</b>				
205cc LS1 Mongoose Street Head	MSD-1IR4Y	1IR5L	1IR5Y	1IR6Y
225cc LS1 Mongoose Strip Head	MSD-1IR4Y	1IR5L	1IR5Y	1IR6Y
180cc SBC Street Head	MSD-7IR4Y	7IR5Y	7IR6Y	7IR6YS
180cc LT1 Street Head	MSD-7IR4Y	7IR5Y	7IR6Y	7IR6YS
195cc SBC Street Head	MSD-7IR4Y	7IR5Y	7IR6Y	7IR6YS
195cc LT4 Street Head	MSD-7IR4Y	7IR5Y	7IR6Y	7IR6YS
305/315/325/335/345/357cc Magnum BBC	N/A			
165/185cc SBF Outlaw Street Heads	MSD-7IR4Y	7IR5Y	7IR6Y	7IR6YS
205/224cc SBF Outlaw Race Heads	N/A			
165/185cc SBF Street/Strip Outlaw Heads	MSD-7IR4Y	7IR5Y	7IR6Y	7IR6YS
<b>BRODIX</b>				
BBC,Big Brodie Series	N/A			
C.A.R.B. Legal Heads	MSD-7IR4Y	7IR5Y	7IR6Y	7IR6YS
<b>DART</b>				
Big Chief, All	N/A			
Big M- Head	MSD-7IR4Y	7IR5Y	7IR6Y	7IR6YS
Ford 20 Degree	N/A			
Iron Eagle,308cc&345cc BBC	MSD-7IR4Y	7IR5Y	7IR6Y	7IR6YS
Iron Eagle,23 Degree,180,200,215,230cc SBC	N/A			
Iron Eagle S/S	MSD-6IR4Y	6IR5Y	6IR6Y	6IR6YS
Little Chief, 11 Degree SBC Head	N/A			
Pro 1, 23 Degree SBC&BBC all cc's	N/A			
Race Series,220cc SBC Head	N/A			
Race Series,18 Degree BBC Head	N/A			
<b>EDELBROCK</b>				
All Except Flathead	MSD-7IR4Y	7IR5Y	7IR6Y	7IR6YS
<b>FORD RACING PERFORMANCE PARTS</b>				
GT-40 "Turbo-Swirl" Alum.Cyl Heads	N/A			
GT-40X "Turbo-Swirl" Alum Cyl Heads	N/A			
"Sportsman" Short Track Cast Iron Cyl Heads	N/A			
"Z" Aluminum Heads	MSD-7IR4Y	7IR5Y	7IR6Y	7IR6YS
Robert Yates Alum. Cyl Heads	MSD-11IR4Y	11IR5	11IR5Y	11IR6
"High Port" Yates Head	MSD-11IR4Y	11IR5	11IR5Y	11IR6
High Port Head for all out Performance	MSD-11IR4Y	11IR5	11IR5Y	11IR6
Super Cobra Jet Cylinder Heads	N/A			
<b>PRO TOPLINE</b>				
Iron Lightning, Pro Lightning	N/A			
Other	N/A			
<b>TRICK FLOW</b>				
Track Heat Alum.Cyl. Heads for SB Ford	MSD-7IR4Y	7IR5Y	7IR6Y	7IR6YS
18 Degree Alum. Heads for SB Chevy	N/A			
23 Degree Alum. Heads for SB Chevy 175, 195	MSD-7IR4Y	7IR5Y	7IR6Y	7IR6YS
R-Series Cyl. Head for BB Chevy	N/A			
GenX 205, 215, 220, 225, 235, 245, 255; GM LS	MSD-1IR4Y	1IR5Y	1IR6Y	
<b>GenX 185, 195; GM LS</b>				
- chamber volume M54: 54 cc (CNC-profiled)	MSD-1IR4Y	1IR5Y	1IR6Y	
- chamber volume 10: 62 cc (Standard)	MSD-7IR4Y	7IR5Y	7IR6Y	7IR6YS
Power Oval 280 for BB Chevy	MSD-7IR4Y	7IR5Y	7IR6Y	7IR6YS
Power Port 320, 360 for BB Chevy	MSD-7IR4Y	7IR5Y	7IR6Y	7IR6YS
Twisted Wedge 185, 195 - Ford 4.6L, 5.4L; 2 Valve	MSD-1IR4Y	1IR5Y	1IR6Y	
Power Port Cleveland 195, 225 Ford351C, 351M/400, Clevor	MSD-7IR4Y	7IR5Y	7IR6Y	7IR6YS
Twisted Wedge Track Heat 170, 185, 205 for SB Ford	MSD-7IR4Y	7IR5Y	7IR6Y	7IR6YS
High Port 192, 225, 240 for SB Ford	MSD-7IR4Y	7IR5Y	7IR6Y	7IR6YS
Power Port 290, 325, A460 340, 360 for Ford 429/460	MSD-7IR4Y	7IR5Y	7IR6Y	7IR6YS
<b>WORLD</b>				
Windsor Jr	N/A			
Windsor Jr. Lite	MSD-7IR4Y	7IR5Y	7IR6Y	7IR6YS
Windsor Sr. Lite	MSD-7IR4Y	7IR5Y	7IR6Y	7IR6YS
Roush 200 Cast Iron	N/A			
Torquer 440 Aluminum	N/A			
Sportsman II Lite	MSD-7IR4Y	7IR5Y	7IR6Y	7IR6YS
S/R	MSD-6IR4Y	6IR5Y	6IR6Y	6IR6YS
S/R Torquer	MSD-6IR4Y	6IR5Y	6IR6Y	6IR6YS
Sportsman II	MSD-6IR4Y	6IR5Y	6IR6Y	6IR6YS
Motown 205/220	MSD-6IR4Y	6IR5Y	6IR6Y	6IR6YS
Motown 220 Lite	MSD-7IR4Y	7IR5Y	7IR6Y	7IR6YS
Merlin II Oval & Rect. Port	MSD-6IR4Y	6IR5Y	6IR6Y	6IR6YS
320cc &345cc Merlin	MSD-7IR4Y	7IR5Y	7IR6Y	7IR6YS

**WARNING: Cross reference is provided for reference only!**  
 Prior to installation please confirm spark plug recommendation with cylinder head manufacturer and/or engine builder/tuner for proper heat range or type of plug.



**MSD  
HEAT  
RANGE  
CHART**



**MSD PLUG STYLE CODE**

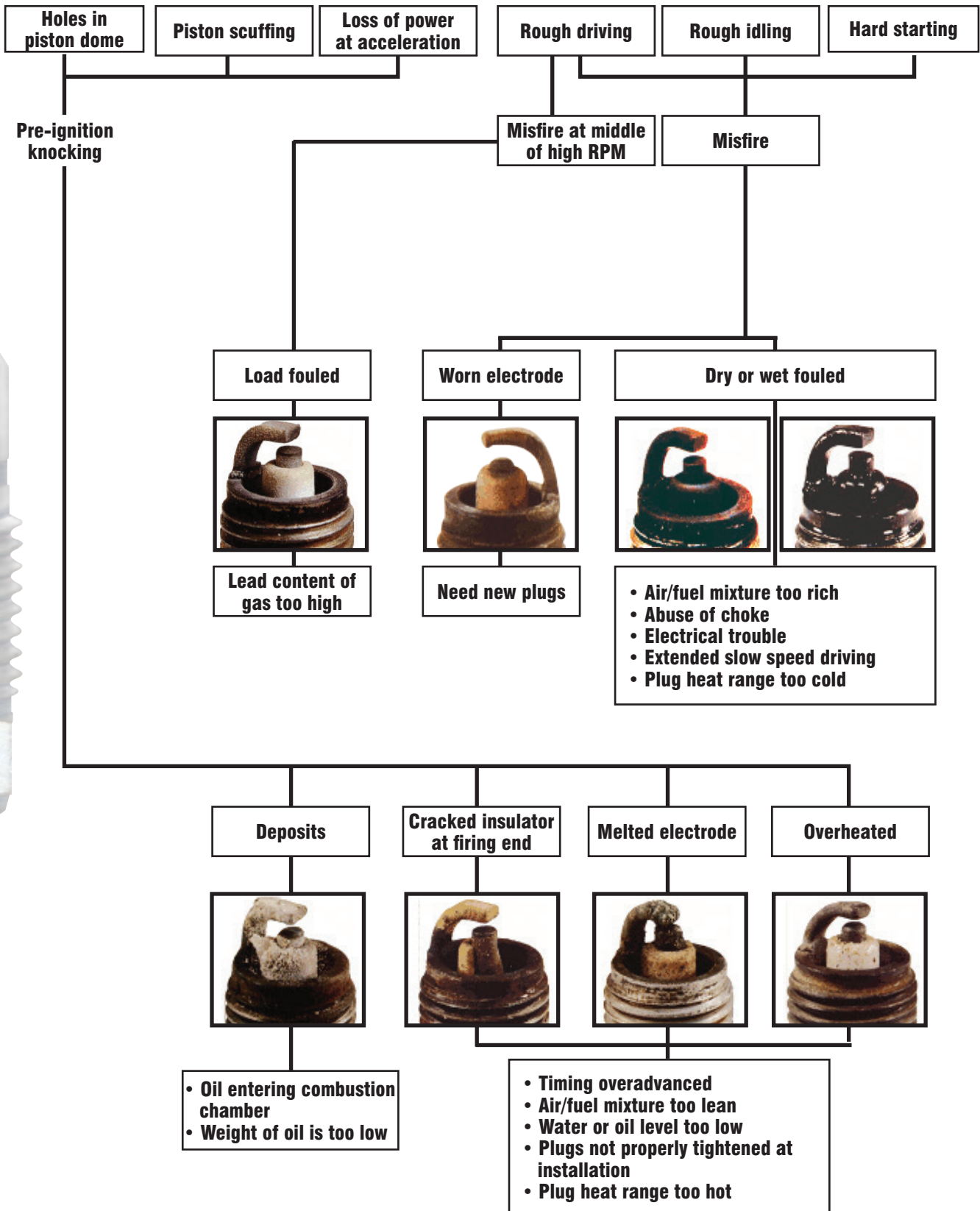
- I = Iridium
- R = Resistor
- 5 = Heat Range
- Y = Projected Tip
- L = Extended Projected Tip

**MSD PART NUMBER STYLES**

Single PN	4-Pack PN	Style of Spark Plug
3711	37114	MSD-11R4Y
3712	37124	MSD-11R5L
3713	37134	MSD-11R5Y
3714	37144	MSD-11R6Y
3715	37154	MSD-21R5L
3716	37164	MSD-31R6
3717	37174	MSD-41R7Y
3718	37184	MSD-51R4L
3719	37194	MSD-51R5Y
3720	37204	MSD-61R4Y
3721	37214	MSD-61R5
3722	37224	MSD-61R5Y
3723	37234	MSD-61R6Y
3724	37244	MSD-71R4Y
3725	37254	MSD-71R5Y
3726	37264	MSD-71R6L
3727	37274	MSD-71R6Y
3728	37284	MSD-81R5L
3729	37294	MSD-91R5L
3730	37304	MSD-91R5Y
3731	37314	MSD-111R4Y
3732	37324	MSD-111R5
3733	37334	MSD-111R5Y
3734	37344	MSD-111R6
3735	37354	MSD-131R5Y
3736	37364	MSD-131R6Y
3737	37374	MSD-151R4
3738	37384	MSD-151R4Y
3739	37394	MSD-151R5Y
3740	37404	MSD-151R6
3741	37414	MSD-61R6YS (Short Style)
3742	37424	MSD-71R6YS (Short Style)
3743	37434	MSD-51R6Y
3744	37444	MSD-161R5Y



## TROUBLESHOOTING





## WEIGHTS AND DIMENSIONS OF MSD PACKAGED SPARK PLUGS

PACKED	MSD PART NUMBER	PLUG TYPE	DIMENSION OF BOXES	WEIGHT OF SPARK PLUGS
Single 1x	3711	MSD-11R4Y	3.34x0.94x0.94in	0.092lbs
4-Pack 4x	37114	MSD-11R4Y	3.46x3.89x0.98in	0.399lbs
Single 1x	3712	MSD-11R5L	3.74x0.98x0.98in	0.092lbs
4-Pack 4x	37124	MSD-11R5L	3.89x3.93x1.06in	0.399lbs
Single 1x	3713	MSD-11R5Y	3.34x0.94x0.94in	0.092lbs
4-Pack 4x	37134	MSD-11R5Y	3.46x3.89x0.98in	0.399lbs
Single 1x	3714	MSD-11R6Y	3.34x0.94x0.94in	0.092lbs
4-Pack 4x	37144	MSD-11R6Y	3.46x3.89x0.98in	0.399lbs
Single 1x	3715	MSD-21R5L	3.34x0.94x0.94in	0.092lbs
4-Pack 4x	37154	MSD-21R5L	3.46x3.89x0.98in	0.181lbs
Single 1x	3716	MSD-31R6	3.74x0.98x0.98in	1.105lbs
4-Pack 4x	37164	MSD-31R6	3.89x3.93x1.06in	0.451lbs
Single 1x	3717	MSD-41R7Y	3.74x0.98x0.98in	0.088lbs
4-Pack 4x	37174	MSD-41R7Y	3.89x3.93x1.06in	0.381lbs
Single 1x	3718	MSD-51R4L	3.74x0.98x0.98in	0.110lbs
4-Pack 4x	37184	MSD-51R4L	3.89x3.93x1.06in	0.46lbs
Single 1x	3719	MSD-51R5Y	3.74x0.98x0.98in	0.110lbs
4-Pack 4x	37194	MSD-51R5Y	3.89x3.93x1.06in	0.46lbs
Single 1x	3720	MSD-61R4Y	3.34x0.94x0.94in	0.092lbs
4-Pack 4x	37204	MS D-61R4Y	3.46x3.89x0.98in	0.399lbs
Single 1x	3721	MSD-61R5	3.34x0.94x0.94in	0.092lbs
4-Pack 4x	37214	MSD-61R5	3.46x3.89x0.98in	0.399lbs
Single 1x	3722	MSD-61R5Y	3.34x0.94x0.94in	0.092lbs
4-Pack 4x	37224	MSD-61R5Y	3.46x3.89x0.98in	0.399lbs
Single 1x	3723	MSD-61R6Y	3.34x0.94x0.94in	0.092lbs
4-Pack 4x	37234	MSD-61R6Y	3.46x3.89x0.98in	0.399lbs

PACKED	MSD PART NUMBER	PLUG TYPE	DIMENSION OF BOXES	WEIGHT OF SPARK PLUGS
Single 1x	3724	MSD-71R4Y	3.34x0.94x0.94in	0.101lbs
4-Pack 4x	37244	MSD-71R4Y	3.46x3.89x0.98in	0.434lbs
Single 1x	3725	MSD-71R5Y	3.34x0.94x0.94in	0.101lbs
4-Pack 4x	37254	MSD-71R5Y	3.46x3.89x0.98in	0.434lbs
Single 1x	3726	MSD-71R6L	3.74x0.98x0.98in	0.101lbs
4-Pack 4x	37264	MSD-71R6L	3.89x3.93x1.06in	0.434lbs
Single 1x	3727	MSD-71R6Y	3.34x0.94x0.94in	0.101lbs
4-Pack 4x	37274	MSD-71R6Y	3.46x3.89x0.98in	0.434lbs
Single 1x	3728	MSD-81R5L	3.34x0.94x0.94in	0.101lbs
4-Pack 4x	37284	MSD-81R5L	3.46x3.89x0.98in	0.434lbs
Single 1x	3729	MSD-91R5L	3.74x0.98x0.98in	0.121lbs
4-Pack 4x	37294	MSD-91R5L	3.89x3.93x1.06in	0.513lbs
Single 1x	3730	MSD-91R5Y	3.74x0.98x0.98in	0.121lbs
4-Pack 4x	37304	MSD-91R5Y	3.89x3.93x1.06in	0.513lbs
Single 1x	3731	MSD-111R4Y	3.34x0.94x0.94in	0.130lbs
4-Pack 4x	37314	MSD-111R4Y	3.46x3.89x0.98in	0.548lbs
Single 1x	3732	MSD-111R5	3.34x0.94x0.94in	0.130lbs
4-Pack 4x	37324	MSD-111R5	3.46x3.89x0.98in	0.548lbs
Single 1x	3733	MSD-111R5Y	3.34x0.94x0.94in	0.130lbs
4-Pack 4x	37334	MSD-111R5Y	3.46x3.89x0.98in	0.548lbs
Single 1x	3734	MSD-111R6	3.34x0.94x0.94in	0.130lbs
4-Pack 4x	37344	MSD-111R6	3.46x3.89x0.98in	0.548lbs
Single 1x	3735	MSD-131R5Y	3.34x0.94x0.94in	0.121lbs
4-Pack 4x	37354	MSD-131R5Y	3.46x3.89x0.98in	0.513lbs
Single 1x	3736	MSD-131R6Y	3.34x0.94x0.94in	0.121lbs
4-Pack 4x	37364	MSD-131R6Y	3.46x3.89x0.98in	0.513lbs
Single 1x	3737	MSD-151R4	3.34x0.94x0.94in	0.130lbs
4-Pack 4x	37374	MSD-151R4	3.46x3.89x0.98in	0.548lbs
Single 1x	3738	MSD-151R4Y	3.34x0.94x0.94in	0.130lbs
4-Pack 4x	37384	MSD-151R4Y	3.46x3.89x0.98in	0.548lbs
Single 1x	3739	MSD-151R5Y	3.34x0.94x0.94in	0.130lbs
4-Pack 4x	37394	MSD-151R5Y	3.46x3.89x0.98in	0.548lbs
Single 1x	3740	MSD-151R6	3.34x0.94x0.94in	0.130lbs
4-Pack 4x	37404	MSD-151R6	3.46x3.89x0.98in	0.548lbs
Single 1x	3741	MSD-61R6YS (Short Style)	3.34x0.94x0.94in	0.092lbs
4-Pack 4x	37414	MSD-61R6YS (Short Style)	3.49x3.89x0.98in	0.399lbs
Single 1x	3742	MSD-71R6YS (Short Style)	3.34x0.94x0.94in	0.092lbs
4-Pack 4x	37424	MSD-71R6YS (Short Style)	3.46x3.89x0.98in	0.399lbs
Single 1x	3743	MSD-51R6Y	3.74x0.98x0.98in	0.110lbs
4-Pack 4x	37434	MSD-51R6Y	3.89x3.93x1.06in	0.469lbs
Single 1x	3744	MSD-161R5Y	3.34x0.94x0.94in	0.138lbs
4-Pack 4x	37444	MSD-161R5Y	3.46x3.89x0.98in	0.584lbs





# YEAH, WE KNOW SPARK!

With over four decades of experience in engineering and manufacturing high output ignition systems, MSD is excited to present their new Iridium Spark Plugs! Whether you're on the street, trail or track, MSD has a performance plug that will fire up your engine.

MSD's spark plugs are engineered to improve the efficiency of the combustion process to create the most power possible combined with increased durability. The center tip of the plug is made from iridium to promote the best spark and increase resilience. A unique ceramic mixture enhances the dielectric strength of the plug housing forcing the spark, even under extreme cylinder pressures, to jump across the plug gap to the ground electrode. This electrode is machined to expose more spark to the incoming exposing more spark to the incoming gases to promote the most effective combustion event possible.

MSD Iridium Spark Plugs are available for muscle cars, street rods, late models and even sport compact engines.

- **Machined electrode increases exposure to the flame to improve combustion**
- **MSD's proprietary ceramic formula provides the highest dielectric strength**
- **Yttrium ground electrode reduces the chance of pre-ignition**
- **Iridium tip improves cold starts**
- **Designed to outlast other performance plugs on the track or on the street**



© 2014 MSD LLC

See more at

[www.MSDinYourHead.com](http://www.MSDinYourHead.com)