

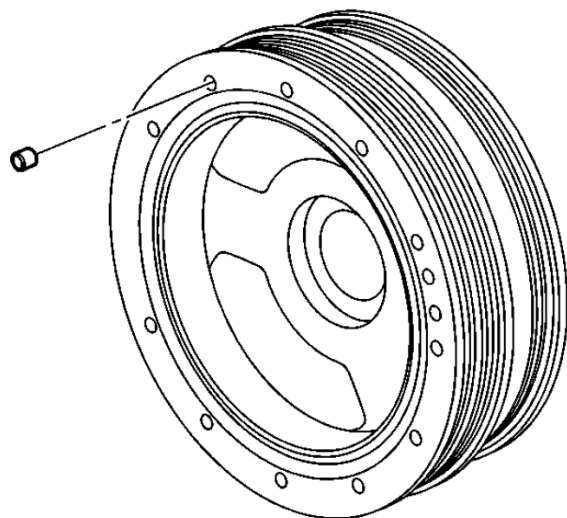
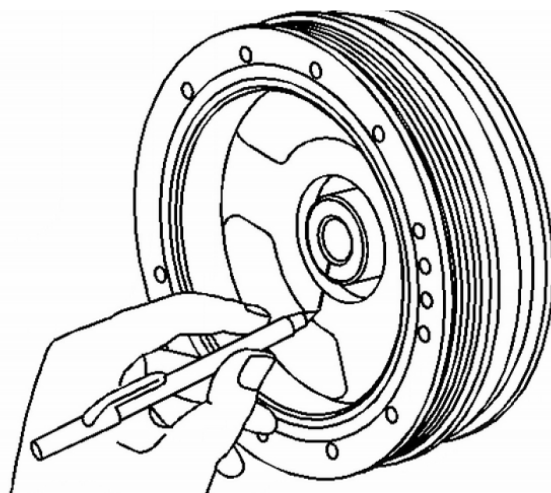
ATTENTION: Refer to the appropriate shop manual for your vehicle to obtain specific service procedures for this part. If you do not have a service manual or lack the skill to install this part, it is recommended that you seek the services of a qualified technician. Pay special attention to all cautions and warnings included in the shop manual. Read and follow all instructions carefully.

Cadillac CTS 2007–06, Chevrolet Corvette 2007–05, Pontiac G8 2008

Please be aware that the position of the crankshaft harmonic balancer must be marked before removal, relative to the crankshaft itself. The harmonic balancer does not use a key or keyway for positioning. Mark or scribe the end of the crankshaft and the balancer before removal. The crankshaft balancer must be installed to the original position.

When replacing the crankshaft harmonic balancer, note the location of any existing balance weights, if applicable. Crankshaft harmonic balancer weights must be installed into the new harmonic balancer in the same location as the old harmonic balancer. A properly installed balance weight is flush or below flush with the face of the harmonic balancer.

- 1.) Inspect the crankshaft harmonic balancer weight holes for any existing balance weights.
- 2.) Using a punch, position the existing balance weights to the bottom of the weight holes.
- 3.) With a marking crayon, note the weight holes (2) containing balance weights, if applicable.
- 4.) Lay the old crankshaft harmonic balance (1) on a bench or flat table.
 - a. Rotate the old harmonic balancer unit 1 of the marked balance weight holes (2) are in the 12 o' clock position.
- 5.) Lay the new crankshaft harmonic



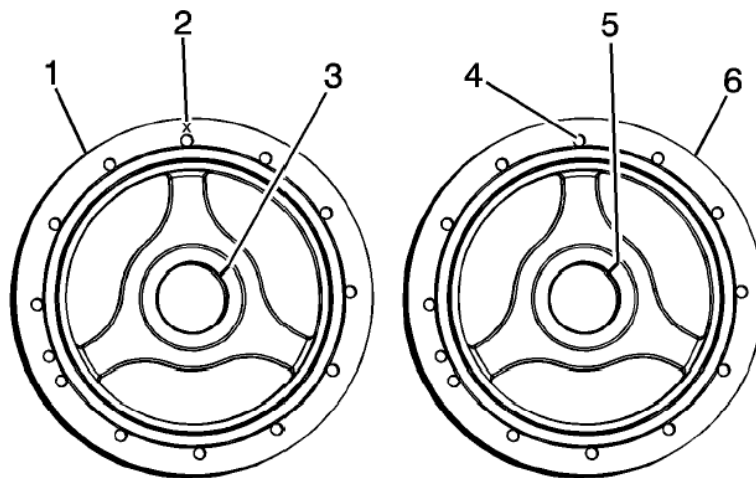
Disclaimer:

Even though every attempt is made to ensure this information is complete and accurate, it is impossible to account for all possible circumstances or situations. Please consult with a qualified auto technician before attempting to perform any work you are not qualified to do. Automobiles can be hazardous to work on; be sure to take all necessary safety precautions. Failure to do so may result in property damage or personal injury. Certain motor vehicle standards and performance requirements may apply to your motor vehicle (such as Federal Motor Vehicle Safety Standards by the National Highway Traffic Safety Administration). Be sure that your work is performed in accordance with such standards and that you do not disable any motor vehicle safety feature.

ATTENTION: Refer to the appropriate shop manual for your vehicle to obtain specific service procedures for this part. If you do not have a service manual or lack the skill to install this part, it is recommended that you seek the services of a qualified technician. Pay special attention to all cautions and warnings included in the shop manual. Read and follow all instructions carefully.

balancer (6) on the bench next to the old harmonic balancer (1).

- 6.) With a marking crayon, mark the new harmonic balancer weight hole (4) located in the 12 o'clock position.
- 7.) Viewing the old harmonic balancer, note the position of the crankshaft-to-balancer alignment mark (3).
- 8.) Mark the new harmonic balancer with the same location (5).
- 9.) Measure the distance from the top of the balance weights to the face of the old crankshaft harmonic balancer.
- 10.) Record the readings.
- 11.) Determine the proper balance weight size for the new balancer. Balance weights are available in 3 different sizes.
 - a. A balance weight hole depth that measures 13.0 mm (0.512 in), has a short balance weight in the hole. A short balance weight measures 12.7 mm (0.5 in) in length.
 - b. A balance weight hole depth that measures 6.69 mm (0.263 in), has a medium balance weight in the hole. A medium balance weight measures 19.0 mm (0.75 in) in length.
 - c. A balance weight hole depth that measures 0.29 mm (0.011 in), has a long balance weight in the hole. A long balance weight measures 25.4 mm (1.0 in) in length.
- 12.) Insert the new crankshaft harmonic balancer weights, of the proper size, into the new harmonic balancer, in the same locations as the old harmonic balancer.
 - a. A properly installed balance weight is flush or below flush with the face of the harmonic balancer.



Disclaimer:

Even though every attempt is made to ensure this information is complete and accurate, it is impossible to account for all possible circumstances or situations. Please consult with a qualified auto technician before attempting to perform any work you are not qualified to do. Automobiles can be hazardous to work on; be sure to take all necessary safety precautions. Failure to do so may result in property damage or personal injury. Certain motor vehicle standards and performance requirements may apply to your motor vehicle (such as Federal Motor Vehicle Safety Standards by the National Highway Traffic Safety Administration). Be sure that your work is performed in accordance with such standards and that you do not disable any motor vehicle safety feature.