

**DORMAN®**  
NEW SINCE 1918

# VARIABLE VALVE TIMING SOLENOIDS & CAMSHAFT PHASERS



Over 240 SKUs Covering Over  
200 Million Installation Opportunities

Patented OE Fix Parts Eliminate  
Premature Failures

**100% TESTED**

Vehicle Testing  
Lab Testing  
Vehicle Simulation

**THE AFTERMARKET'S MOST  
COMPREHENSIVE OFFERING:**

The Aftermarket Leader in VVT Coverage with New SKUs Added Monthly

**HIGH GROWTH POTENTIAL**

The majority of today's vehicles use VVT systems, and high failure rates among original VVT components results in growing aftermarket demand

**#Techstrust**



*"All engines will eventually be equipped with VVT in multiple forms and Dorman's VVT Solutions program is a great step towards servicing those components."*

Saul Reisman, Owner | Saul's Automotive, Englewood CO



NEW PRODUCTS • NEW SOLUTIONS • NEW OPPORTUNITIES

## VARIABLE VALVE TIMING SOLENOIDS (VVT)

Our VVT Solenoids are durably engineered for years of effective performance. Replacement restores smooth performance, returns vehicle to normal operation and prevents engine damage caused by failed original Solenoid.

- **Complete Kit** – Includes gaskets and torque-to-yield bolts where needed for a complete repair
- **Plug and Play** – Easily plugs into the electrical harness
- **Extensive Coverage** – both domestic and import applications

**200** **OVER SKUS** AVAILABLE

**INCLUDES GASKET**

**917-200**

Ford 2013-04,  
Lincoln 2013-05,  
Mercury 2010-06



**INCLUDES GASKET**

**INCLUDES O-RINGS**

**DORMAN EXCLUSIVE**

**917-201**

Ford 2016-07,  
Lincoln 2015-07, Mercury 2009-08



**917-241**

BMW 2013-00



**917-298**

Buick 2011-09, Buick 2007-06, Chevrolet 2011-06,  
Pontiac 2010-06, Saturn 2008-06

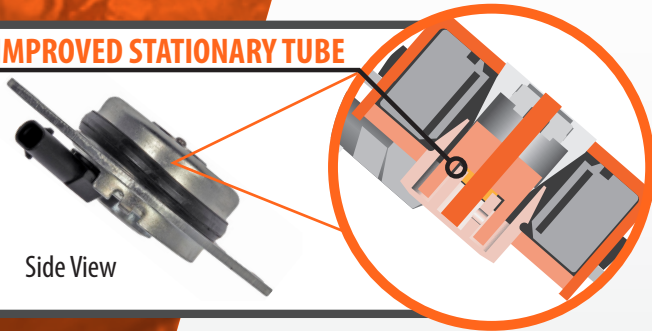


**IMPROVED STATIONARY TUBE**

**MAGNETIC ACTUATOR**

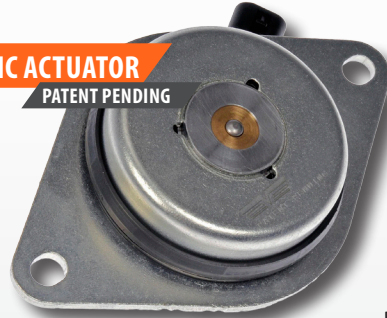
**PATENT PENDING**

Side View



**918-005**

Buick Encore 2013,  
Chevrolet Cruze 2013-11,  
Chevrolet Sonic 2013-12, Chevrolet Volt 2013-11



### OE PROBLEM:

Excessive internal part movement results in premature wear and poor performance in original unit.



Dorman's design contains a stronger copper center tube which limits internal part movement; eliminating premature wear and improving part durability.



# VARIABLE VALVE TIMING SPROCKETS (Camshaft Phasers)

Replacement Variable Valve Timing Sprockets adjust the timing of the motor and restore proper performance; while eliminating VVT System related engine trouble codes. Dorman's Camshaft Phasers are precision engineered from durable steel and conveniently packaged with the bolt used to attach the Camshaft Phaser to the Camshaft.

- Precision-machined for accurate, dependable operation and proper fit
- Rigorous materials testing and vehicle try-on testing have been conducted to ensure trouble-free performance

INCLUDES INSTALLATION TOOLS



**917-253**

Mazda 3 2012-07,  
Mazda 6 2007-06,  
Mazda CX-7 2012-07

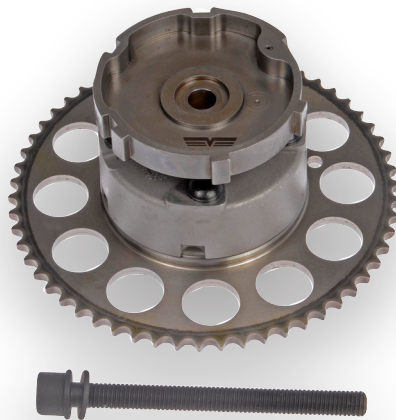
**30** OVER SKUS AVAILABLE

**HARDWARE INCLUDED**



**917-270**

Buick 2013-10, Chevrolet 2012-06,  
GMC 2010, Pontiac 2010-06,  
Saturn 2010-06



**917-263**

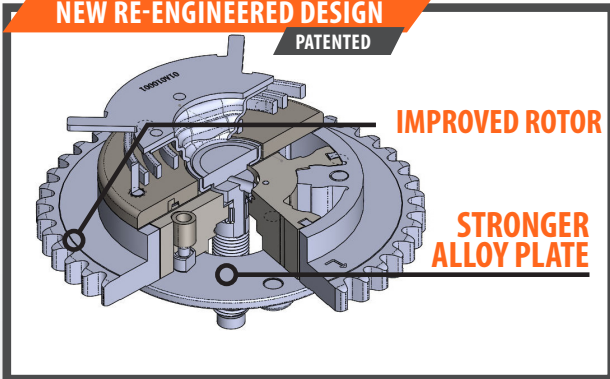
Buick 2005, Chevrolet 2005, GMC 2005,  
Isuzu 2005, Saab 2005



**917-256**

Scion xD 2011-10,  
Toyota Corolla 2016-09,  
Toyota Matrix 2014-09

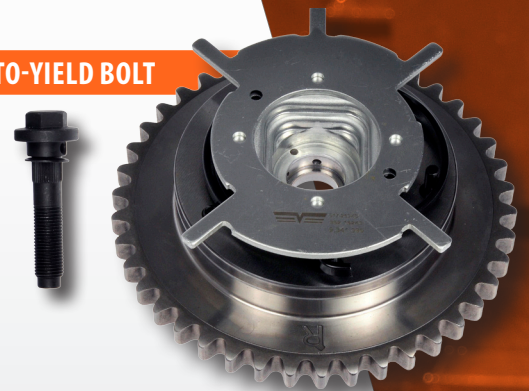
**NEW RE-ENGINEERED DESIGN**  
PATENTED



**IMPROVED ROTOR**

**STRONGER ALLOY PLATE**

**INCLUDES TORQUE-TO-YIELD BOLT**



**917-250XD**

Ford 4.6L, 5.4L V8

## OE PROBLEM:

OE rotor and vane plate wear prematurely, resulting in pressure loss and performance issues; particularly in high mileage engines.



Dorman's design features a patented improved rotor and stronger alloy locking plate that reduce friction with smoother movement, while eliminating premature wear.

918-058

BMW 6 cyl engines 2005-98

## VANOS REPAIR KIT – (Coming Soon)

- **Complete Kit** – All hardware and components needed for a complete repair
- **Restore Loss Of Power** and hesitation with our upgraded VANOS Piston O-ring seals
- **Check** DormanProducts.com for availability



### OE PROBLEM:

Low grade O-ring materials fail frequently due to temperature extremes



Dorman's O-rings are manufactured with improved materials that tolerate temperature extremes while resisting failure

## ALSO AVAILABLE

### DORMAN EXCLUSIVE

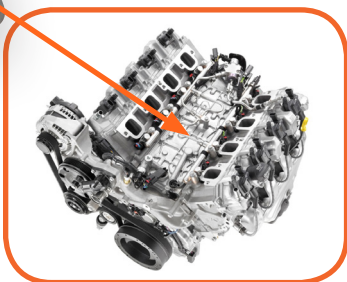
916-511

Chrysler 2009-05, Dodge 2009-05, Jeep 2009-05

## MULTI-DISPLACEMENT SYSTEM (MDS) SOLENOIDS

The Multi-Displacement System Solenoid controls cylinder deactivation for optimized fuel economy and engine efficiency

- 4 solenoids per vehicle
- Plug and play design
- Quality tested to ensure trouble-free performance



**DORMAN**  
NEW SINCE 1918

DOR76328-1

Dorman Products, Inc. | 3400 East Walnut Street | Colmar, PA 18915  
Corporate Office and Customer Service: 1-800-523-2492  
New Product Idea Hotline: 1-800-336-3575

©2017 No reproduction in whole or in part without prior written approval.

[www.DormanProducts.com/VVTSolutions](http://www.DormanProducts.com/VVTSolutions)