

DORMAN PREMIUM RD RUGGED DESIGN CHASSIS PARTS

Premium RD™
Rugged Design Chassis Parts



RUGGED DESIGN

Chassis components designed for hard working trucks, SUVs and fleet applications

Built for the trucks, SUVs and fleet applications that tow, carry pull and demand more

Specially designed to hold up under the toughest abuse

Fully serviceable and greasable designs deliver dependable durability under heavy loads, with regular grease maintenance

We optimize every component

PREMIUM ADVANTAGES

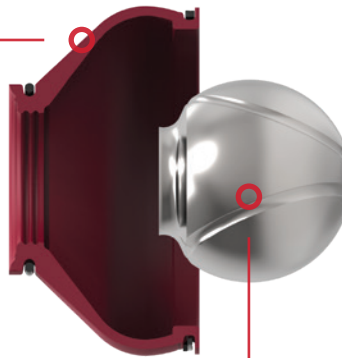
PERFORMANCE-RATED BOOT

Tested to ensure prevention from contaminants



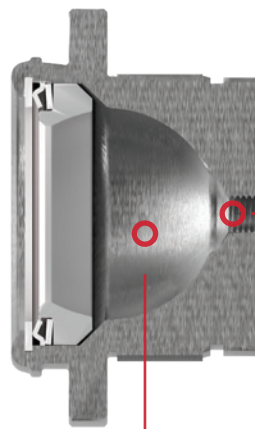
EXCLUSIVE PREMIUM ARMOURGRADE™ STUDS

ArmourGrade coating provides corrosion resistance against harsh environments



EXCLUSIVE PREMIUM LARGER HIGH-POLISH BALL

A larger ball surface distributes the load over a wider area, increasing durability and longevity under severe conditions



EXCLUSIVE PREMIUM INTEGRAFIT™ INTEGRATED BEARING DESIGN

An exclusive premium hardening process allows us to eliminate the separate bearing and use a larger premium ball

EXCLUSIVE PREMIUM I.C.E.™ GREASE
High-quality lithium-based grease delivers better lubrication characteristics than conventional aftermarket grease under a wider range of operating temperatures



Get vehicle applications and technical details at dormanproducts.com

Dorman Products, Inc. | Corporate Office and Customer Service: 1-800-523-2492 | Tech Line: 1-866-933-2911
©February 5, 2021 3:31 PM No reproduction in whole or in part without prior written approval.

Dorman-Premium-RD-Chassis_Sell-Sheet