



**PERFORMER ROVER INTAKE MANIFOLD**  
**For Rover 3.5L V-8 & Buick/Olds 215 c.i.d. V-8**  
**Part #2198**  
**INSTALLATION INSTRUCTIONS**

- **PLEASE** study these instructions, and the General Instructions, carefully before installing your new manifold. If you have any questions or problems, do not hesitate to call our **Technical Hotline at: 1-800-416-8628**.
- **EGR SYSTEM:** This manifold will not accept stock EGR (exhaust gas recirculation) equipment. EGR systems are used on some 1972 and later model vehicles and only in some states. Check local laws for requirements. Not legal in California on pollution-controlled motor vehicles.
- **MANIFOLD:** This manifold will not accept any O.E.M. carburetor systems. We recommend that you use the carburetors listed in the carburetor recommendations.
- **ACCESSORIES & INSTALLATION ITEMS:** Major recommendations are listed below. However, due to the variety of years, makes and models to be covered, please review each part listed in the Installation Items section of the Edelbrock catalog to decide whether more items are required for your specific vehicle than are mentioned in these instructions.
- **POWER PACKAGE:** Although the Edelbrock Performer manifold/carburetor change will provide excellent power gains over the O.E.M. equipment when installed alone, we recommend the use of headers, a hydraulic camshaft of approximately 270 degrees advertised duration, and a modified ignition advance curve for optimum results.

**CARBURETOR RECOMMENDATIONS: CAUTION**-Use only carburetors recommended. If parts required for installation are unavailable locally, contact Edelbrock directly.

<b>CARBURETOR</b>	<b>REFERENCE</b>	<b>PARTS REQUIRED FOR INSTALLATION</b>
Performer #1404 (500 cfm)	A, I, K, O	#8036 (throttle cable bracket)
Holley #0-8007 (390 cfm)	A, I, K	#8036 (throttle cable bracket)

- A-Carburetor will work with non-EGR (Exhaust Gas Recirculation) or pre-emission control system.
- I-Carburetor has no provision for evaporative canister.
- K-Carburetor requires #8008 or #8024 stud, nut and washer kit. Determine length needed before installation.
- O-Carburetor has manual choke only.

• **BRACKETS**

1. Due to the original carburetor configuration on Rover 3.5 litre engines, the throttle and kick-down linkage bracket on most model vehicles will require modification to fit. If this condition occurs with your installation, you may purchase the Edelbrock mounting bracket #8036 which will accept GM-style throttle, kick-down, and cruise-control cables.
2. Early and late model applications use different waterneck housings. The Performer Rover is designed to accept only the early style waterneck with integral water bypass outlet, which you may obtain from your Rover dealer. NOTE: If this outlet is unavailable in your area, the outlet from a 1967-1974 Buick V-8 is very similar. Its bypass hose fitting is sized for 5/8" hose rather than 3/4", and the 1-1/2" hose outlet angle is slightly different.

• **GASKETS AND SEALANT**

**CAUTION:** Do not use high performance or competition-type intake gaskets for street application. Due to material deterioration under street driving conditions, internal leakage of both vacuum and oil may occur.

1. Use only O.E.M. or equivalent gaskets (Fel-Pro #MS96002) when installing Edelbrock manifolds for street applications.
2. Apply Edelbrock Gasgacinch sealant, #9300, to both sides of manifold as well as head surfaces. This procedure ensures a good seal.

- **MANIFOLD TORQUE** —Torque all bolts circled in Figure #1 to 25 ft/lbs. See Figure #1 for proper sequence.
- **FIRING ORDER AND CYLINDER NUMBERING**—For cylinder numbering and firing order, see Figure #2.
- **FINAL TUNING**

**NOTE:** Local emission laws must be checked for legality of any carburetor or ignition changes.

  1. Due to design, the fuel / air mixture and cylinder charging are very efficient with Performer manifolds. Generally speaking, the stock jetting for the recommended aftermarket carburetors will not need changing. Specific applications may show an increase in power by richening the secondary jetting .003-inches from the stock setting.
  2. Performer manifolds deliver excellent driveability and power utilizing the factory O.E.M. distributor settings. Again, specific applications may benefit from resetting the initial timing + or - 2° from the factory specifications.
  3. Aftermarket distributor curve kits may be used with Performer manifolds.
  4. Installation of aftermarket headers, camshafts or both with an Edelbrock Performer manifold may lean carburetor calibration. Should this condition occur, recalibrate with a richer jet.
- **CAMSHAFT AND HEADERS**—Performer manifolds are compatible with aftermarket camshafts and/or headers.

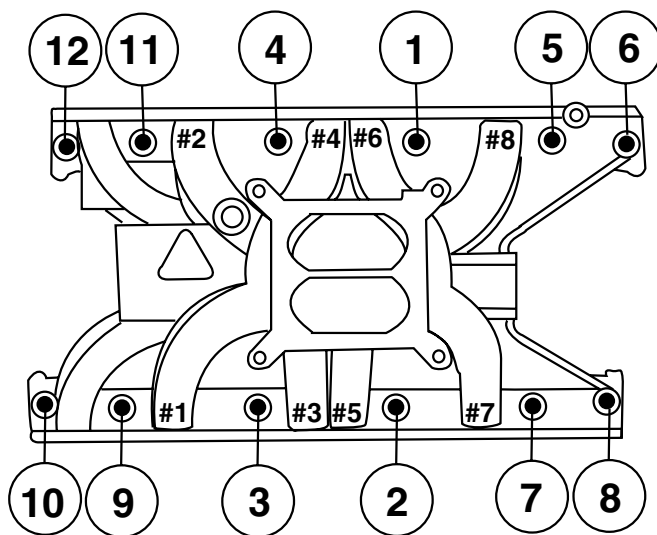


Figure 1- Intake manifold tightening sequence

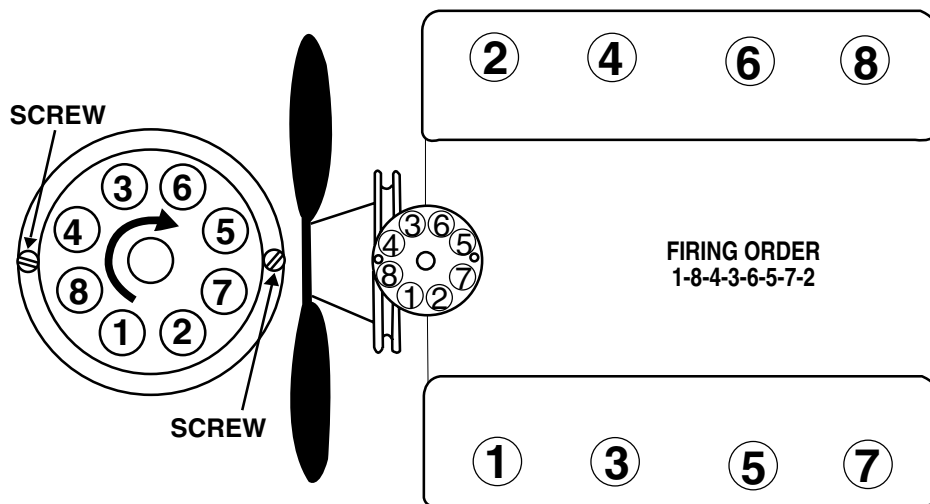


Figure 2- Rover 3.5 litre V-8  
Turn distributor counter-clockwise to advance timing