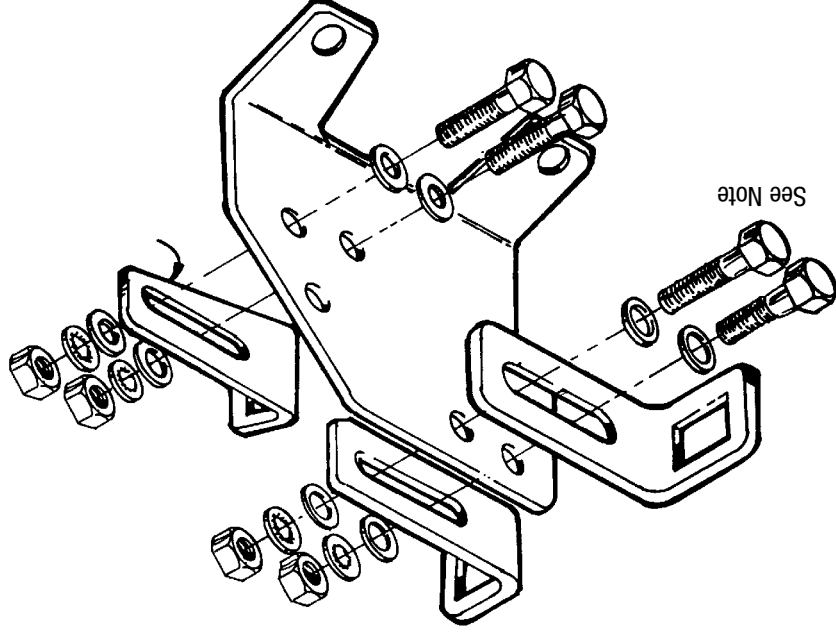


Throttle, Cruise Control and Kickdown Bracket  
for Small-block Chevrolet V8s, 1978 and earlier  
Part #8030 (Chrome)  
Part #8036 (Cad. Plated Gold)



**GENERAL INSTRUCTIONS**  
PLEASE study these instructions carefully before installing your new bracket. If you have any questions, do not hesitate to contact our **Technical Hotline at 1-800-416-8628**, 7:00 am - 5:00 pm, Pacific Standard Time, Monday through Friday.



Note: Kickdown Bracket has large square hole.

Edelbrock LLC, 2700 California St., Torrance, CA 90503  
Tech Line: (800) 416-8628 Office: (310) 781-2222

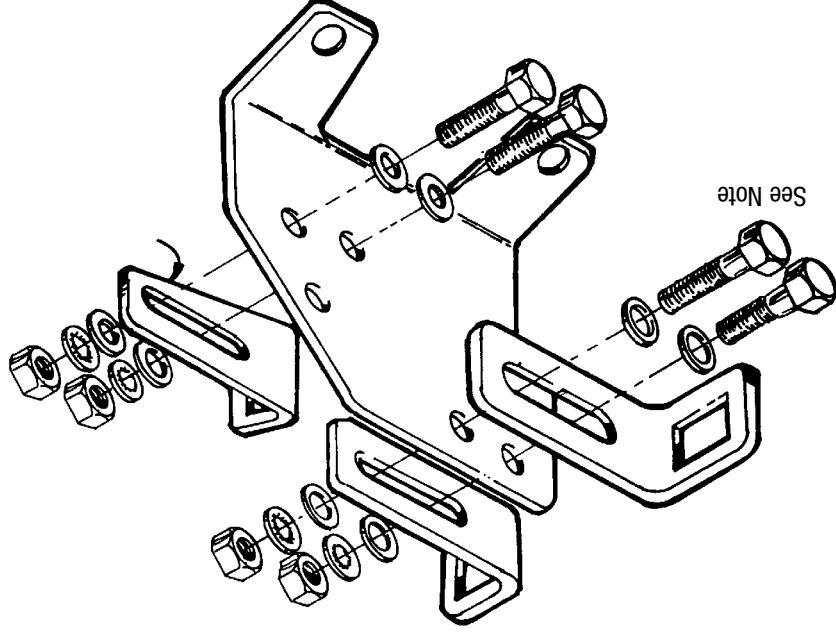
Rev. 5/11 - Ad/mc  
Brochure #63-8030

©2011 Edelbrock LLC  
Part #8030, 8036

Throttle, Cruise Control and Kickdown Bracket  
for Small-block Chevrolet V8s, 1978 and earlier  
Part #8030 (Chrome)  
Part #8036 (Cad. Plated Gold)



**GENERAL INSTRUCTIONS**  
PLEASE study these instructions carefully before installing your new bracket. If you have any questions, do not hesitate to contact our **Technical Hotline at 1-800-416-8628**, 7:00 am - 5:00 pm, Pacific Standard Time, Monday through Friday.



Note: Kickdown Bracket has large square hole.

Edelbrock LLC, 2700 California St., Torrance, CA 90503  
Tech Line: (800) 416-8628 Office: (310) 781-2222

Rev. 5/11 - Ad/mc  
Brochure #63-8030

©2011 Edelbrock LLC  
Part #8030, 8036