



PIPE KIT #17107
1964-1972 GM A BODY
MUFFLERS NOT INCLUDED

The American Thunder logo features the words "AMERICAN THUNDER" in a bold, sans-serif font. Above the word "AMERICAN" is a stylized graphic of a lightning bolt striking a globe.

08/03/09

Removal:

- 1) Raise the vehicle up on a hoist or rack to working height. If you do not have access to a hoist or rack raise the vehicle and support securely with jack stands.
- 2) Remove the existing exhaust system from the headers or manifold down pipes back.

Installation:

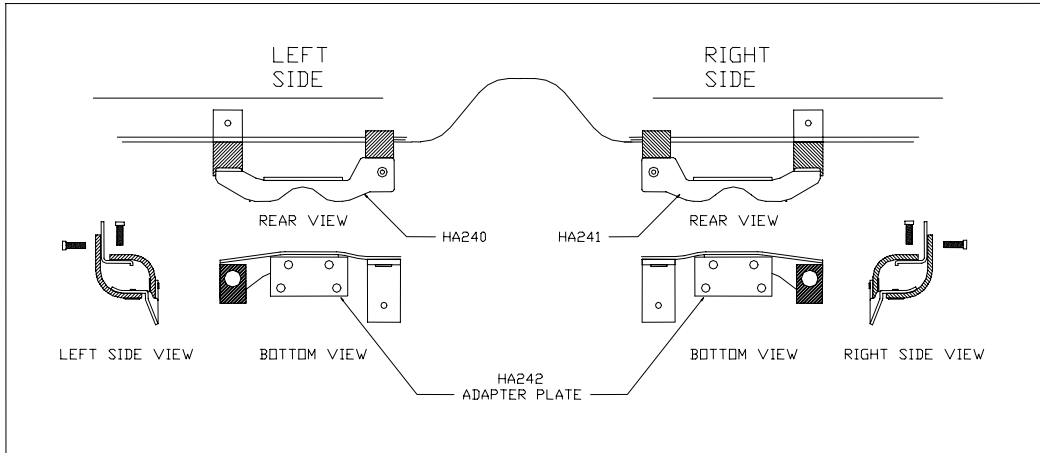
- 1) Bolt adapter plate **#HA242** to hanger's **#HA240** and **#HA241** using the 5/16" x 3/4" bolts and nuts provided in the parts kit. *See detailed drawing in figure 1.*
- 2) On the frame of the vehicle, slightly forward of the rear axle, there are a set of two mounting holes on each side of the vehicle which will be used to mount the rear muffler hangers. Use these stock locations to mount hanger **#HA240** on the left side and hanger **#HA241** on the right. Use the 5/16" x 1" bolts and nuts provided. *See detailed drawing in figure 1.*
- 3) Place H-pipe assembly **#16008** in its approximate position underneath the vehicle and support with a stand.
- 4) Connect the inlet of the muffler to the rear of the H-pipe. Place the outlets of the mufflers into the rear muffler hangers **#HA240** and **#HA241** making sure that the mufflers are sitting level. Use jack stands to hold their position. The outlet of the muffler should be offset toward the outside of the vehicle. *(Note: When using 50 series mufflers, the rear of the H-pipe assembly #16008 must be trimmed back 2.00" on each side to accept the longer muffler.)*
- 5) Place the right tailpipe **#16155** in position over the axle on the right side of the vehicle. Place the left tailpipe **#16154** in position over the axle on the left side of the vehicle. When installing tailpipes, the rear of the vehicle must be supported by the frame with jack stands, allowing the axle to hang from the suspension. *(Note: The car should be supported by the axle after the tailpipes are in place.)*
- 6) Bolt the tailpipe hangers **#HA151** in the stock location on the rear quarter frame rails using the 5/16" x 1" nuts, bolts and washers provided. The holes may need to be drilled out to except the 5/16" bolts.
- 7) With two of the 2 1/2" clamps provided, connect the tailpipes to the rubber hangers to support the tailpipes.

- 8) Insert the tailpipes into the muffler outlets and adjust the mufflers and tailpipes into their approximate final position.
- 9) The front connector pipes are long enough to allow for many different header combinations, therefore, it is necessary to determine the proper length of the inlet connector pipes. Once the proper length is determined, trim the front connector pipes.
- 10) Once the pipes are cut to the proper length, raise them into position and connect them to the H-pipe and header collectors or manifold down pipes using a standard Header Flange or Flowmaster Venturi Cone.
- 11) Adjust the position of the muffler and all pipes to provide proper fit and adequate clearance for suspension travel. Maintain a minimum of 3/4" clearance between Flowmaster system and the drivetrain and chassis components.
- 12) For a cleaner appearance and more secure installation, we highly recommend welding all slip-fit connections. If you live in a geographical area that has harsh winters or sees a great deal of precipitation, the use of temperature paint over the welded areas can help to prevent surface rust and premature corrosion.

PACKING LIST

<u>Qty</u>	<u>Description</u>	<u>Part #</u>
2	Connector Pipes, (R/L)	16157
1	H-Pipe Assembly	16008
1	Tailpipe, Right	16155
1	Tailpipe, Left	16154
2	Straight Exit Pipe	16156A
2	Bent Exit Pipe	16156B
1	Parts Kit	PK119
8	2 1/2" Clamps	MC250S
1	Muffler Hanger, Left	HA240
1	Muffler Hanger, Right	HA241
2	Adapter Plate, (R/L)	HA242
2	Tailpipe Hanger, (R/L)	HA151
4	5/16" x 3/4" Bolts	
6	5/16" x 1" Bolts	
10	5/16" Nuts	
4	5/16" Fender Washers	
10	5/16" Lock Washers	
6	5/16" Flat Washers	

Figure 1.





Installation diagram for:
PIPE KIT #17107
1964-1972 GM "A" BODY
MUFFLERS NOT INCLUDED

