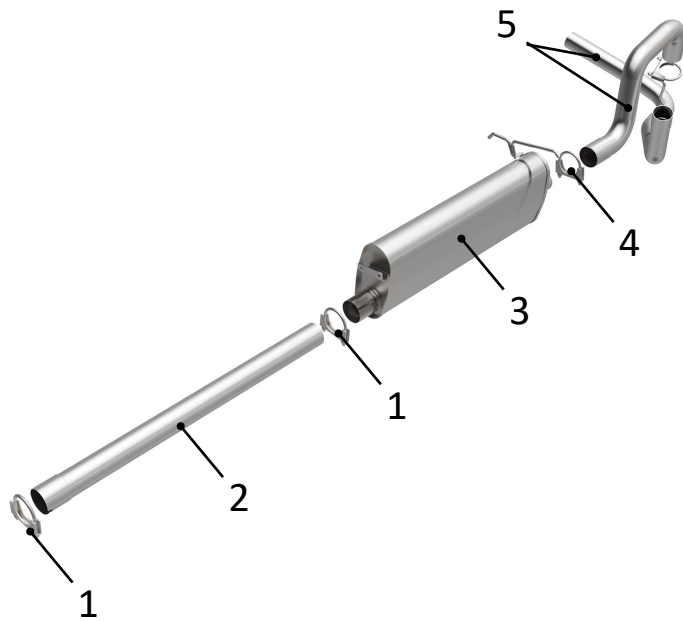


# BRExhaust™

A **MAGNAFLOW GROUP** COMPANY

## INSTALLATION INSTRUCTIONS | PART NO. 106-0499



### 2: Cut Pipe to Fit

#### STEP 1:

(Carefully read all instructions before installation) Disconnect the vehicle's battery before removal of the OEM exhaust system. This will prevent electrical accidents and will reset the computer if it applies to the vehicle. Remove existing exhaust system from the vehicle. Only remove parts that will be replaced. Clean existing flange with a wire brush to ensure proper sealing.

#### STEP 2:

Attach item 5 to existing isolators

#### STEP 3:

Connect item 2 to existing exhaust with item 1

#### STEP 5:

Connect item 3 to existing isolators

#### STEP 5:

Connect item 3 to item 5 with item 4

#### STEP 5:

Connect item 2 to item 3 with item 1

#### STEP 7:

Use clamps provided with items 5 to secure slip fit

#### STEP 8:

Ensure new exhaust is not contacting any portion of the underbody of the vehicle or drivetrain.

#### STEP 9:

Tighten all clamps and bolts starting from rear of the vehicle. **(DO NOT EXCEED 30FT-LB WHEN TIGHTENING CLAMP AND CHECK ALL CLAMPS AFTER 50 MILES. RETIGHTEN IF NECESSARY)**

### WARNING:

When working on, under, or around any vehicle exercise caution. Please allow the vehicle's exhaust system to cool before removal, as exhaust temperatures may cause severe burns. If working without a lift, always consult vehicle manual for correct lifting specifications. Always wear safety glasses and ensure a safe work area. Serious injury or death could occur if safety measures are not followed.



**BRExhaust** recommends  
professional installation  
for all products

**Technical Support: 1-800-631-7271**

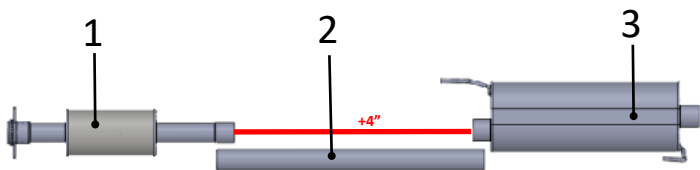
**BRExhaust — 1901 Corporate Ctr, Oceanside, CA 92056**

[www.brexhaust.com](http://www.brexhaust.com)

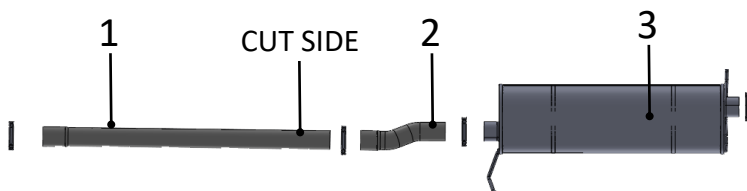
## CUT TO FIT INSTALLATION INSTRUCTIONS

### DESIGN TABLE

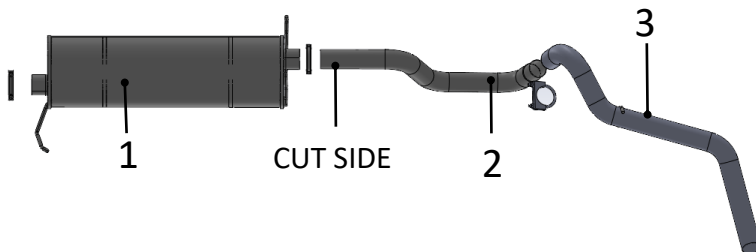
#### DESIGN STYLE 1: CUT TO FIT INTERMEDIATE PIPE



#### DESIGN STYLE 2: CUT TO FIT INLET



#### DESIGN STYLE 3: CUT TO FIT TAIL PIPE



### MATCH PURCHASED KIT'S CUT TO FIT DESIGN TO GRAPHIC IN DESIGN TABLE

#### DESIGN STYLE 1

- STEP 1:**  
Attach item 1 to existing exhaust
- STEP 2:**  
Attach item 3 to existing isolators

- STEP 3:**  
Cut item 2 4" longer than the distance between the installed parts, this will allow for a 2" overlap for each slip fit (**cutting part too short will increase likelihood of leaks**)

#### DESIGN STYLE 2

- STEP 1:**  
Attach item 3 to existing isolators
- STEP 2:**  
Attach item 2 to item 3

- STEP 3:**  
Cut item 2 2" longer than the distance between item 2 and OEM part, this will allow for a 2" overlap (**cutting part too short will increase likelihood of leaks**)

#### DESIGN STYLE 3

- STEP 1:**  
Attach item 1 to existing isolators
- STEP 2:**  
Attach item 3 to existing isolators

### WARNING:

When working on, under, or around any vehicle exercise caution. Please allow the vehicle's exhaust system to cool before removal, as exhaust temperatures may cause severe burns. If working without a lift, always consult vehicle manual for correct lifting specifications. Always wear safety glasses and ensure a safe work area. Serious injury or death could occur if safety measures are not followed.



**BRExhaust** recommends professional installation for all products

**Technical Support: 1-800-631-7271**

**BRExhaust — 1901 Corporate Ctr, Oceanside, CA 92056**

[www.brexhaust.com](http://www.brexhaust.com)