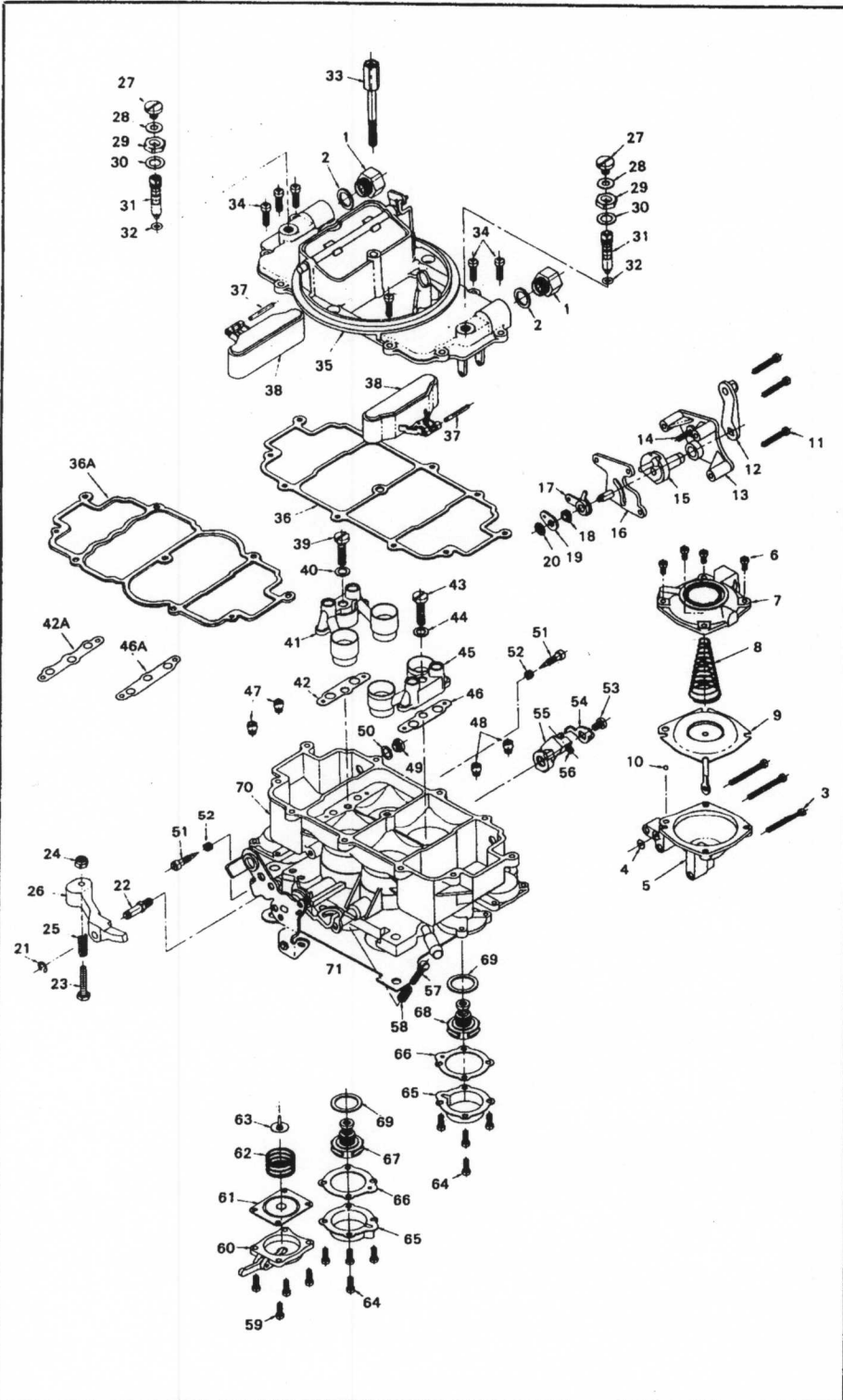


OFF VEHICLE CARBURETOR SERVICE HOLLEY MODEL 4010/4011

GENERAL EXPLODED VIEW ACTUAL UNITS MAY VARY



NOMENCLATURE

REF. NO.	REF. NO.
1. FUEL INLET FITTINGS (2)	37. PIN, FLOAT (2)
2. GASKETS, FUEL INLET (2)	38. FLOATS, (2)
3. SCREWS, SEC. DIAPHRAGM COVER (3)	39. SCREW, PRIMARY NOZZLE BAR
4. GASKET, SEC. DIA. HOUSING	40. GASKET, PRIM. NOZZLE BAR SCREW
5. SECONDARY DIAPHRAGM HOUSING	41. PRIMARY NOZZLE BAR
6. SCREWS, SEC. DIA. COVER (4)	42. GASKET, PRIMARY NOZZLE BAR (42A USED ON 4011)
7. SECONDARY DIAPHRAGM COVER	43. SCREW, SECONDARY NOZZLE BAR
8. SPRING, SECONDARY DIAPHRAGM	44. GASKET, SEC. NOZZLE BAR SCREW
9. SECONDARY DIAPHRAGM	45. SECONDARY NOZZLE BAR
10. CHECK BALL, SEC. DIAPHRAGM	46. GASKET, SEC. NOZZLE BAR (46A USED ON 4011)
11. SCREWS, FAST IDLE CAM PLATE (3)	47. PRIMARY JETS
12. CHOKE LEVER	48. SECONDARY JETS
13. FAST IDLE CAM PLATE ASSY.	49. FUEL LEVEL SIGHT PLUG
14. SPRING, FAST IDLE CAM	50. GASKET, SIGHT PLUG
15. FAST IDLE CAM	51. IDLE ADJUSTMENT NEEDLE (2)
16. CHOKE LEVER BACK-UP PLATE	52. SPRING, IDLE ADJ. NEEDLE (2)
17. CHOKE ROD LEVER	53. SCREW, FAST IDLE CAM LEVER
18. SPRING, CHOKE LEVER	54. CAM PICK-UP LEVER
19. WASHER, CHOKE SPRING RETAINER	55. FAST IDLE CAM LEVER
20. FASTNER, PUSH NUT	56. FAST IDLE ADJ. SCREW
21. RETAINER, E-CLIP	57. SCREW, THROTTLE STOP ADJ.
22. STUD, PUMP LEVER	58. SPRING, THROTTLE STOP SCREW
23. SCREW, PUMP LEVER ADJ.	59. SCREWS, PUMP DIA. COVER (4)
24. NUT, FIBRE LOCKING	60. COVER, PUMP DIAPHRAGM
25. SPRING, PUMP LEVER ADJ.	61. PUMP DIAPHRAGM
26. PUMP OPERATING LEVER	62. SPRING, PUMP DIAPHRAGM
27. SCREWS, NEEDLE SEAT (2)	63. PUMP CHECK VALVE
28. GASKETS, NEEDLE SEAT (2)	64. SCREWS, POWER VALVE COVER (8)
29. ADJUSTING LOCK NUTS (2)	65. COVERS, POWER VALVE (2)
30. GASKETS, NEEDLE SEAT (2)	66. GASKETS, POWER VALVE COVER (2)
31. NEEDLE AND SEAT ASSY. (2)	67. PRIMARY POWER VALVE
32. O-RINGS, NEEDLE AND SEAT (2)	68. SECONDARY POWER VALVE
33. STUD, AIR CLEANER	69. GASKETS, POWER VALVE (2)
34. SCREWS, AIR HORN	70. CARBURETOR BODY
35. AIR HORN ASSEMBLY	71. FLANGE GASKET
36. GASKET, AIR HORN (36A-USED ON 4011 SERIES)	

DISASSEMBLY

USE EXPLODED VIEW AS A GUIDE. THE NUMERICAL SEQUENCE MAY GENERALLY BE FOLLOWED TO DISASSEMBLE UNIT FAR ENOUGH FOR CLEANING AND INSPECTION. DO NOT REMOVE THROTTLE PLATES OR SHAFTS. NOTE INITIAL POSITION OF FUEL NEEDLE SLOT AND RECORD. TURN IDLE NEEDLES IN SLOWLY UNTIL LIGHTLY SEATED, RECORDING NUMBER OF TURNS. NOTE POSITION AND NUMBER OF PRIMARY AND SECONDARY JETS AND RECORD.

CLEANING

CLEANING MUST BE DONE WITH CARBURETOR DISASSEMBLED. SOAK PARTS LONG ENOUGH TO SOFTEN AND REMOVE FOREIGN MATERIAL USING A COLD IMMERSION TYPE CARBURETOR CLEANER. MAKE CERTAIN THE THROTTLE BORES ARE FREE OF ALL CARBON AND VARNISH DEPOSITS. RINSE OFF IN SUITABLE SOLVENT. BLOW OUT ALL PASSAGES IN CASTINGS WITH COMPRESSED AIR AND CHECK CAREFULLY TO INSURE THOROUGH CLEANING OF OBSCURE AREAS. **CAUTION:** DO NOT SOAK PARTS CONTAINING RUBBER, FLOATS, OR DIAPHRAGM ASSEMBLIES.

REASSEMBLY

REASSEMBLE IN REVERSE ORDER OF DISASSEMBLY. NOTE SPECIAL INSTRUCTIONS AND FOLLOW NUMERICAL OUTLINE IN MAKING ADJUSTMENTS NECESSARY FOR CARBURETOR BEING SERVICED.

SPECIAL INSTRUCTIONS

THROTTLE BODY SCREWS: CROSS-TIGHTEN IN THREE STAGES TO GET CORRECT TORQUE (50 INCH-POUNDS).

IDLE ADJUSTING SCREWS: TURN IN UNTIL LIGHTLY SEATED, BACK OUT NUMBER OF TURNS RECORDED ON DISASSEMBLY.

JETS: REPLACE IN SAME POSITION AS NOTED DURING DISASSEMBLY.

POWER VALVES: TORQUE TO 100 INCH-POUNDS.

O-RINGS-LIGHTLY LUBRICATE FOR EASIER INSTALLATION.

PUMP INLET CHECK VALVE: LUBRICATE TIP, INSERT IN CENTER HOLE IN PUMP CAVITY-PULL THROUGH FROM FUEL BOWL SIDE UNTIL SEATED.

SEE FIGURE 1 TO DETERMINE CORRECT POWER VALVE COVER GASKET.

SEE FIGURE 2 FOR CORRECT POWER VALVE INSTALLATION.

SEE FIGURE 3 FOR WET LEVEL FLOAT ADJUSTMENT PROCEDURE.

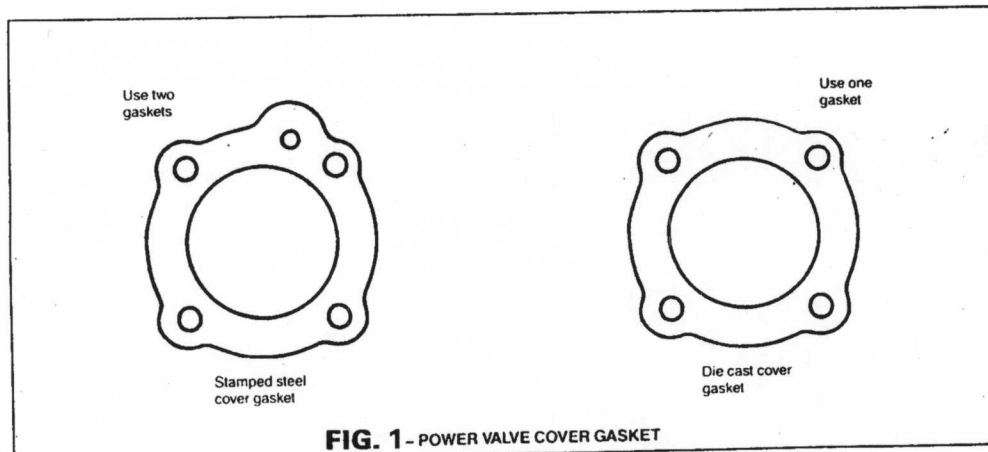


FIG. 1 - POWER VALVE COVER GASKET

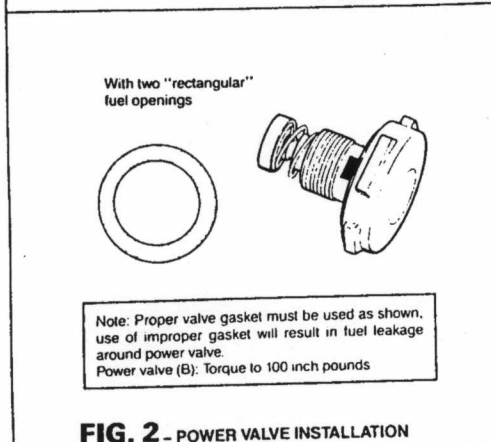


FIG. 2 - POWER VALVE INSTALLATION

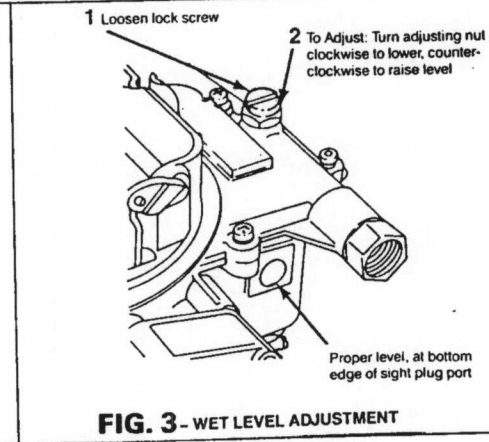


FIG. 3 - WET LEVEL ADJUSTMENT

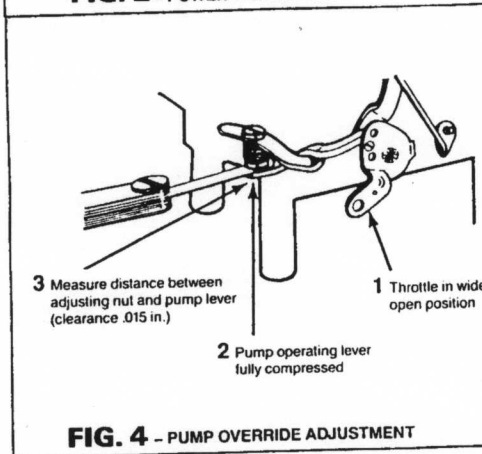


FIG. 4 - PUMP OVERRIDE ADJUSTMENT

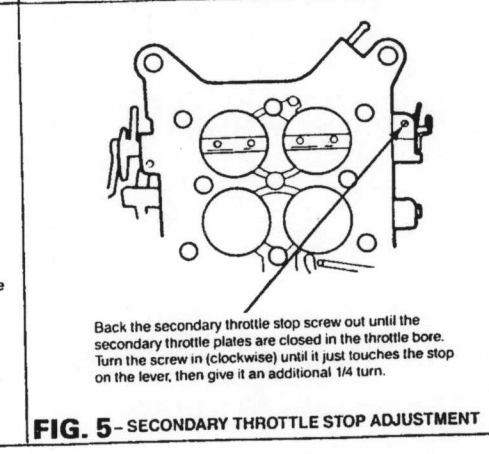


FIG. 5 - SECONDARY THROTTLE STOP ADJUSTMENT

ADJUSTMENT SPECIFICATIONS

CARBURETOR NUMBER	CHOKE CAP SETTING	PUMP CAM POSITION	CHOKE UNLOADER	CHOKE QUALITY
R-84014,R-84015,R-84016,R-84017,R-84022		No. 2		
R-84021		No. 2	.185"	.328"
R-84024,R-84026	INDEX	No. 2	.185"	.328"
R-84010,R-84011,R-84012,R-84013,R-84020		No. 1		
R-84023	INDEX	No. 1	.185"	.328"
R-84018	INDEX	No. 1	.305"	.275"