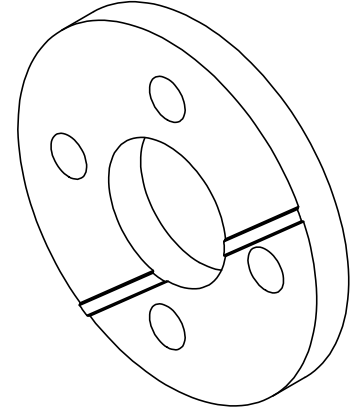
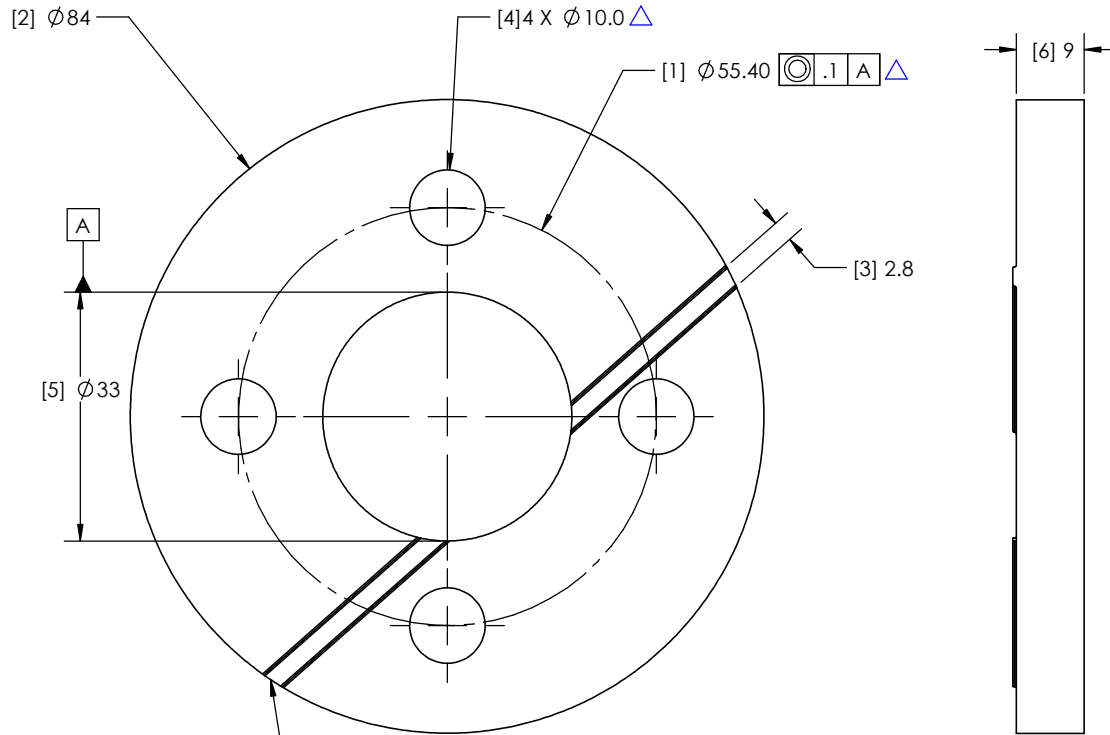


PERFORMANCE AND DURABILITY CRITERIA			
ITEM	CRITERIA DESCRIPTION	CRITERIA REQUIREMENTS	KEY FUNCTIONAL SAFETY
1	HARDNESS	30-40 SHORE D	◇

REVISIONS			
REV.	DESCRIPTION	DATE	APPROVED
A	INITIAL RELEASE	9/19/12	APR



RIB IS TO PREVENT PART FROM BOWING DURING PACKAGING (LOCATION OF RIB IS NOT IMPORTANT)

- NOTES:
1. THERE SHOULD BE A MINIMUM OF 6 LAYERS OF FABRIC IN EVERY PART.
 2. INTERNAL FABRIC PATTERN IS LINEAR WITH 1.5mm SPACING BETWEEN STRANDS.

<p>UNLESS OTHERWISE SPECIFIED DIMENSIONS ARE IN MILLIMETERS</p> <p>TOLERANCES: MM: No decimals: +/- 0.3 1 place decimal: +/- 0.2 2 place decimal: +/- 0.1 INCH: Fractions: +/- 1/64 (0.0156) 1 place decimal: +/- 0.05 2 place decimal: +/- 0.025 3 place decimal: +/- 0.015 Angular: +/- 1/2°</p>		<table border="1"> <tr> <th>NAME</th> <th>DATE</th> </tr> <tr> <td>DRAWN CA</td> <td>7/26/2012</td> </tr> <tr> <td>APPROVED APR</td> <td>7/26/2012</td> </tr> <tr> <td>VENDOR</td> <td></td> </tr> </table>	NAME	DATE	DRAWN CA	7/26/2012	APPROVED APR	7/26/2012	VENDOR		<p>DORMAN PRODUCTS 3400 E. Walnut St, Colmar, PA, 18915 Phone: (215)-997-1800 www.DormanProducts.com</p>
NAME	DATE										
DRAWN CA	7/26/2012										
APPROVED APR	7/26/2012										
VENDOR											
<p>DORMAN AGREEMENT APPROVED PRINT CONSTITUTES DORMAN AGREEMENT TO EXTERNAL ENVELOPE DIMENSIONS, MATERIAL SPECIFICATIONS AND INTERFACE DIMENSIONS TO MATING PARTS. VENDOR IS RESPONSIBLE FOR FUNCTIONALITY AND PERFORMANCE OF THE PRODUCT, WHICH IS NOT INCLUDED IN THIS APPROVAL AGREEMENT.</p>		<p>PROJECTION: FIRST ANGLE</p> <p>SIZE A3</p>	<p>TITLE: STEERING COLUMN DISC</p>								
<p>PROPRIETARY AND CONFIDENTIAL THE INFORMATION CONTAINED IN THIS DRAWING IS THE SOLE PROPERTY OF DORMAN PRODUCTS. ANY REPRODUCTION IN PART OR AS A WHOLE WITHOUT THE WRITTEN PERMISSION OF DORMAN PRODUCTS IS PROHIBITED.</p>		<p>MATERIAL EPDM (REINFORCED WITH POLYAMIDE FABRIC)</p> <p>FINISH BLACK</p>	<p>DWG. NO. 31000-3</p> <p>REV A</p>								
<p>ZINC PLATED COMPONENTS TO BE PLATED PER ASTM B633. SERVICE CONDITION SCS 3. THE 8 CHROMATE USING TRIVALENT CHROMIUM (HEXAVALENT CHROMIUM NOT PERMITTED)</p>		<p>DO NOT SCALE DRAWING SHEET 1 OF 1</p>									