



Holley EFI distributors are designed to plug and play with Holley EFI systems. This design includes dual Hall Effect sensors for crankshaft and camshaft signals provided to the ECU. It can be used as a crank speed input ONLY, as well as a cam sync signal, for sequential fueling operation. They can also be used for crank and cam signals for Coil-On-Plug applications with COP cap (P/N 566-103). The precision machined shutter wheel design ensures accurate timing, even at very high engine speeds. It can be used with other EFI systems that support Hall Effect crank and/or cam sensors inputs.

NOTE: The distributor comes with a hardened steel distributor gear that should be compatible with most hydraulic roller camshafts. It is recommended to consult your camshaft manufacturer prior to installation to confirm what distributor gear material they require.

1. The EFI software MUST be properly configured before installation. Failure to properly configure the ignition settings prior to distributor installation may cause erroneous LED readings during the alignment procedure.

Under System Parameters > Ignition Parameters



Enter an Ignition Type of “CUSTOM” from the drop-down menu, then Click the “Configure” button. The following are the proper settings for this Dual Sync distributor:

CRANK SENSOR

Type – 1 pulse/fire

Sensor Type – DIGITAL FALLING

Ignition Reference Angle - 50.0 degrees

Inductive Delay – This parameter is used such that ignition timing does not under or over-advance as engine speed is increased. A starting value of 100 usec can be used. But once the engine is running, the engine should (safely) be run up to 3000-4000 RPM, and timing be checked such that it matches the commanded value. If it is lower than commanded, the Inductive Delay should be increased, if higher, the delay decreased.

CAM SENSOR

Type – Single Pulse

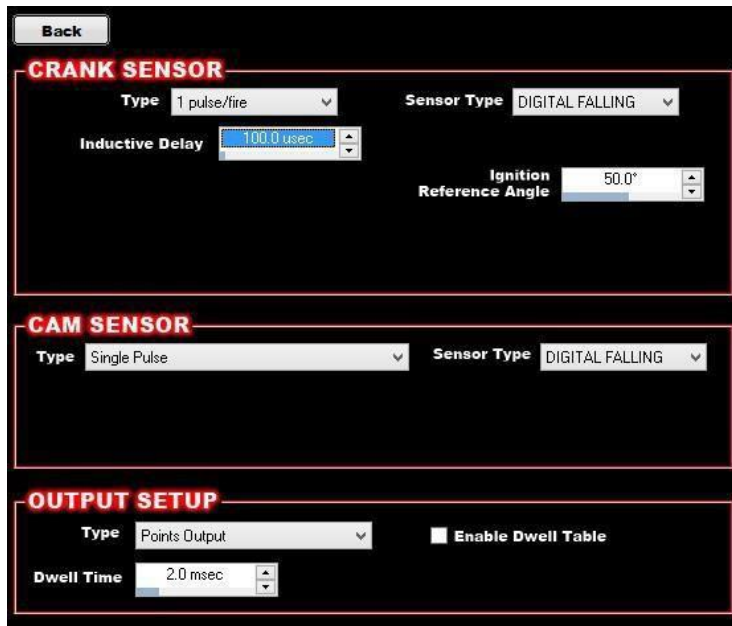
Sensor Type – Digital Falling

OUTPUT SETUP

The following should be used if triggering a MSD Capacitive Discharge type ignition box.

Type – Points Output

Dwell Time – 2.0 msec



If using a Coil-On-Plug or other type of output, you will need to configure the output setup properly for your specific output type.

Once the software is properly configured, sync the new settings on your ECU and then proceed to distributor removal.

DISTRIBUTOR REMOVAL:

1. Disconnect the battery NEGATIVE (-) cable and unplug the injector harness.
2. Disconnect the power and or ground connection at the coil/coils. Tape up any non-insulated power and ground terminals to eliminate any chance of a short circuit.
3. Rotate the crankshaft in the direction of engine rotation until it reads 50 degrees before top dead center (BTDC) on the compression stroke. Take the distributor cap off and make sure that the rotor is pointing to cylinder #1. If not, rotate the crankshaft one full revolution (as the engine is not on the compression stroke).

If your balancer is not marked at 50 degrees, take a tape measure and measure from the 0 degree mark to the following point (mark does NOT have to be exact):

Balancer Diameter	Distance
6"	2-5/8"
7"	3-1/16"
8"	3-1/2"

4. Remove spark plug wires and all other wiring/vacuum hoses from distributor.
5. Remove distributor hold-down. Lift the distributor upwards and remove.

DISTRIBUTOR INSTALL:

NOTE: If the engine block or heads have been milled, make sure that the distributor will fully seat and not bind or bottom out on the oil pump drive. A quick check is to remove the distributor gasket, and make sure that the distributor still fully seats on the mounting surface. If it does not, further investigation is needed.

NOTE: If using a 565-204 or 565-204BK either of the supplied gaskets can be used with your distributor. For distributors that utilize a slip collar, however, it is recommended to use the red gasket supplied with the collar. The tight fit around the housing prevents oil from leaking through the opening in the slip collar.

NOTE: If using 565-211, it will be necessary to lift the distributor about 1/2 inch out of the engine block in order to install the hold down clamp and fastener.

1. Install the distributor gasket on the base of the distributor. If desired, apply adhesive between the gasket and distributor to hold it in place.
2. If the engine has already been broken in/run previously and is about to be fired immediately after the distributor install, coat the gear with motor oil. If the engine is new or will sit a while before it is fired, coat the distributor gear with a moly paste or camshaft break-in lube. Ensure no synthetic oils are used during the installation or break-in period. We recommend a standard 30 or 40 weight or Multi-Viscosity oil such as 10W-30 or 20W-50 to be used for the break-in period. Engines that produce oil pressure over 70psi when COLD should utilize a racing grade mineral oil for break-in. It is also recommended to monitor gear wear after the break-in period for several hours. Check the gear for proper mesh, tooth alignment, and for excessive tooth wear.
3. Position the rotor contact so it is pointing to the desired direction of the #1 spark plug wire. Insert the distributor and ensure that it is fully seated (**see NOTE above**). The rotor will rotate as you insert the distributor. If it does not land in the location you desire, remove the distributor and back it up a tooth or two at a time until you are satisfied with its location. You will need to make sure the oil pump drive shaft is turned in a direction that allows for the distributor shaft to mesh with it. **NOTE:** An engine oil priming tool is an ideal alternative to aid in aligning the oil pump drive shaft. Make sure that the drive shaft meshes and the distributor fully seats.
4. Next, connect the 10 pin distributor connector to the 10 pin Holley EFI main harness ignition adapter connector.
5. Reconnect the battery cable(s), **leaving the coil and injector connectors disconnected at this time.**
6. Turn the ignition key to the run position. (**DO NOT CRANK the engine.**) This will power the distributor.
7. **Distributor Alignment:** There are two LED's on the distributor circuit board. These will be used to align the distributor, by indicating when the crank and cam sensors are being triggered. The crank and cam LED's are noted in **Figure 1** below.

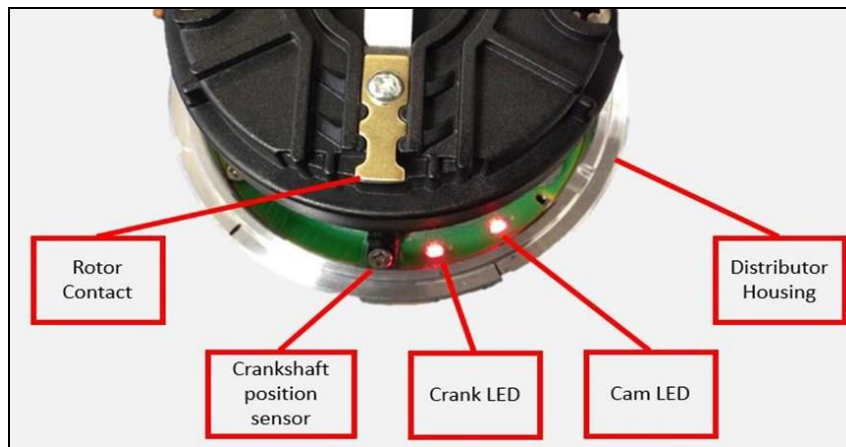


Figure 1

NOTE: All adjustments will be made by rotating the distributor housing only. **DO NOT ROTATE THE CRANKSHAFT** as it should remain at 50 degrees BTDC.

LED (ON) represents digital falling. LED (OFF) represents digital rising

Your distributor will rotate clockwise or counter-clockwise. You will need to determine the proper direction of rotation before proceeding. See chart below.

Engine Family	Rotor Rotation
Small/Big Block Chevy	Clockwise
Chrysler Small Block	Clockwise
Ford 351W	Counter-Clockwise
Ford 302	Counter-Clockwise
BB Chrysler Wedge	Counter-Clockwise
Ford FE	Counter-Clockwise
Oldsmobile	Counter-Clockwise
Pontiac	Counter-Clockwise

Clockwise Rotor Rotation: (See chart above to determine what direction your distributor rotates.)

For engines that have the rotor rotating **clockwise**, turn the housing until the rotor contact is pointed at the black crank position sensor (**Figure 2**). Both the cam and crank LED should be illuminated (**ON**).

Slowly turn the housing **clockwise** until the Crank LED goes **OFF** (**Figure 3**).

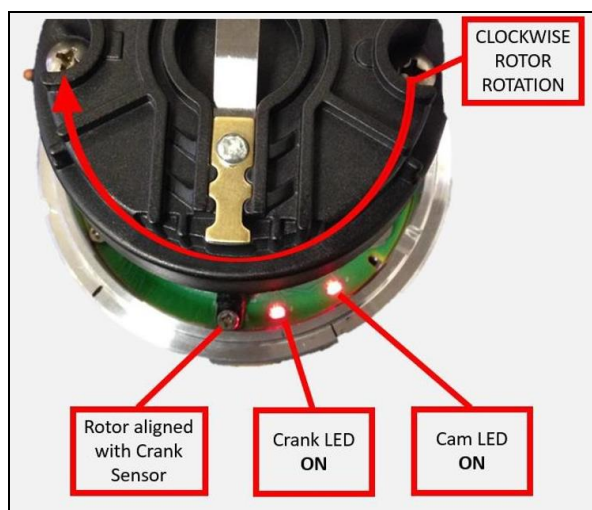


Figure 2

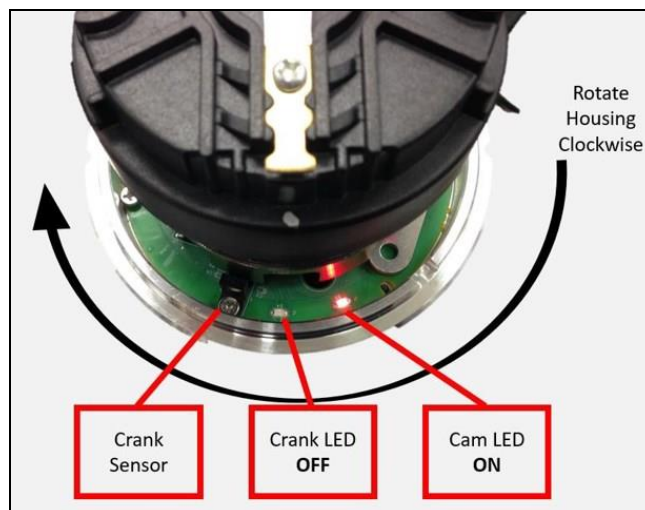


Figure 3

Then slowly turn the housing **counter-clockwise** until the Crank LED comes back **ON** (**Figure 4**). Stop at this point. This will position the distributor close to where it needs to be. Install and snug the distributor clamp down at this point.

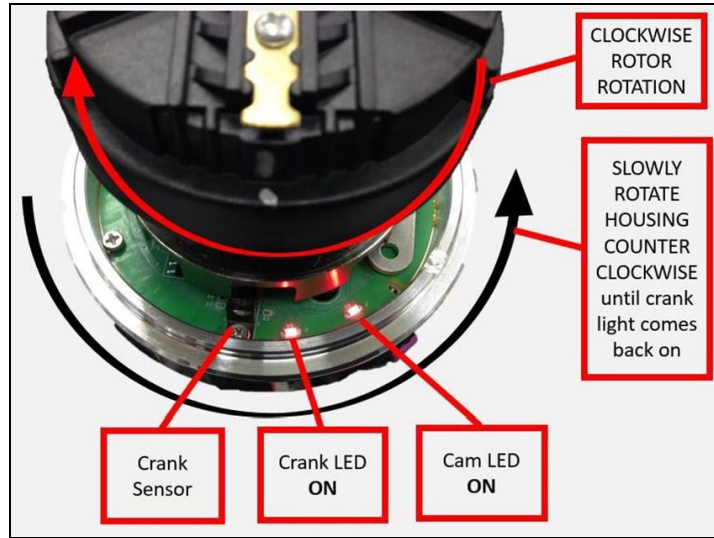


Figure 4

Counter-Clockwise Rotor Rotation: (See chart on page 4 to determine what direction your distributor rotates.)

For engines that have the rotor rotating **counter-clockwise**, turn the housing until the rotor is pointed at the black crank position sensor (**Figure 5**). Both the cam and crank LED should be illuminated **ON**.

Slowly turn the housing **counter-clockwise** until the Crank LED goes **OFF** (**Figure 6**).

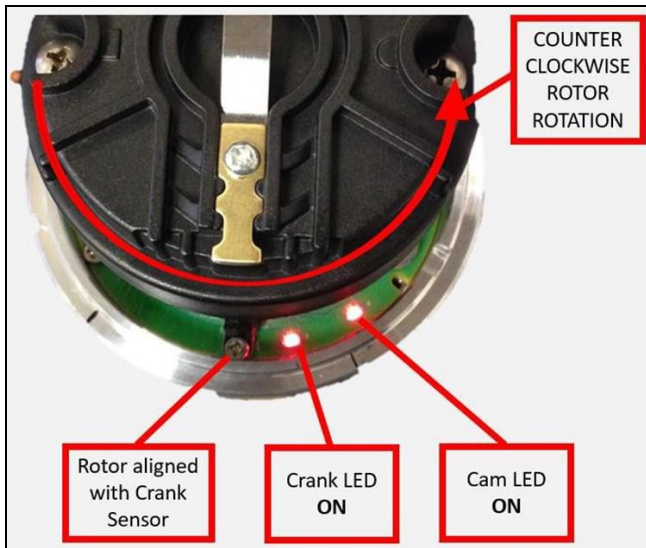


Figure 5

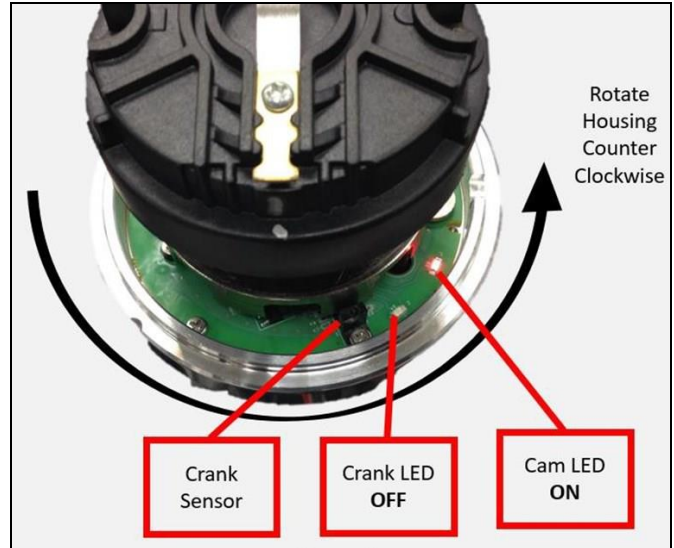


Figure 6

Turn the housing **clockwise** until the Crank LED comes back **ON** (**Figure 7**). Stop at this point. This will position the distributor close to where it needs to be. Install and snug the distributor clamp down at this point.

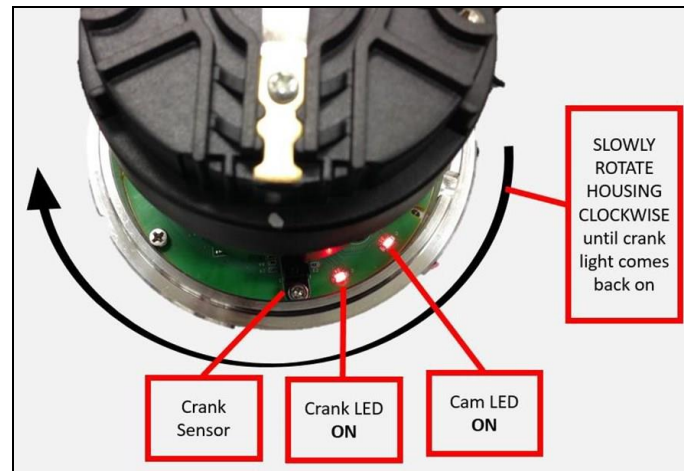


Figure 7

8. Once step 7 (**Distributor Alignment**) is completed, the rotor will be pointing to the cylinder #1 terminal on the distributor cap (ensure the engine is still at 50 degrees BTDC on the compression stroke on cylinder #1). Note which position this is on the distributor cap. Install the cap and install the #1 plug wire. Install the rest of the plug wires based on the engine's firing order and rotor rotation. Reconnect the coil power and ground connection.

A wire retainer is supplied to secure the wires in place. Align the mounting bosses and use the supplied 1.5" self-tapping Phillips screws to hold the retainer in place.

9. It's time to check the timing. Confirm that the injector harness is still disconnected from step 1. This will ensure that no fuel will be sprayed from the injectors. Crank the engine over and check the timing with a timing light.
10. To make sure the ECU is getting an RPM signal, look at the "RPM" in the data monitor. Crank the engine over and make sure it shows RPM.
11. Next, check the timing with a timing light, it should be whatever the cranking timing is programmed to in the software (usually 15 degrees). If it's not close, turn the distributor until it is. Once it is, reconnect the fuel injectors and start the engine.
12. Once running, check the timing with a timing light and make sure it matches the commanded timing of the ECU. It is helpful to use the "Enable Static Timing Set" feature in the software that can lock the timing to a single value. It can be found in the same drop-down as the TPS Auto-set feature. If it does not, rotate the distributor until it does.

Once synced, **CAREFULLY** rev the engine up to 3000-4000 RPM and make sure the timing still matches. If it is advanced, lower the Inductive Delay value by about 20. If it is retarded, raise the Inductive Delay value about 20. Cycle the ignition power after making this change. Once the timing matches at idle and higher RPM, lock the distributor down and you are done.

DISTRIBUTOR PINOUT:

If custom wiring the distributor, use the following pinout:

Connector Location	Channel	Wire Color
A	Crank Signal	Purple/White
B	Cam Signal	Purple
C	Signal Ground	Green
E	Switched +12V	Red

MISCELLANEOUS COMPONENTS:

Replacement Black Cap: MSD 84313 or Holley 566-105 – Rotor MSD 8467 or Holley 566-106

Coil On/Near Plug Cap – Holley PN 566-103 – This low profile cover eliminates the rotor and distributor cap when using Coil-On/Near Plug ignition systems.

P/N 8583 Bronze Gear, P/N 85832 Cast Iron Gear, P/N 85833 Replacement Steel Gear – Ford 302

P/N 8581 Bronze Gear, P/N 85812 Cast Iron Gear, P/N 85813 Replacement Steel Gear – Ford 351C-460

P/N 8585 Bronze Gear, P/N 85852 Cast Iron Gear, P/N 85834 Replacement Steel Gear – Ford 351W

P/N 8531 Replacement Cast Melonized Gear, 8472 Oversized Bronze Gear (+0.006) – Chevy

P/N 8471 Bronze Gear – (0.500") ID - Chevy

P/N 85631 Bronze Gear – Pontiac

GEAR INSTALLATION ON FORD DISTRIBUTORS:

It is recommended to send your Ford Distributor to MSD to have a new gear installed. The MSD Tech Department can be reached at 888-258-3835. The installation process requires a press fit and the need for special tools to achieve proper installation without damaging the shaft, gear or housing. If returning the distributor to MSD is not an option, a quality machine shop may also be able to install your new gear.

CAUTION: If the gear is installed improperly, severe damage to the distributor and/or engine block will occur!

1. With the endplay of the distributor shaft removed, measure the distance from the bottom of the gear to the bottom of the mounting flange (**Figure 9**). It should be within the specifications shown.
2. Scribe a mark on the shaft at the bottom of the gear. This will aid in the installation position of the new gear.
3. Remove the original roll pin and remove the press fit gear. Use extreme care not to damage the end of the shaft where it meshes with the oil pump.
4. Position the gear so the new roll pin will enter the shaft 90° from the original hole. (Lining up the original hole is possible, but a new hole will likely be machined.)
5. Press the new gear into position on the shaft. Measure the distance as shown in **Figure 9** before drilling the new roll pin hole.
6. Carefully drill a 0.125" hole through the shaft using the gear as a guide.
7. Install the new 1/8" spiral roll pin.

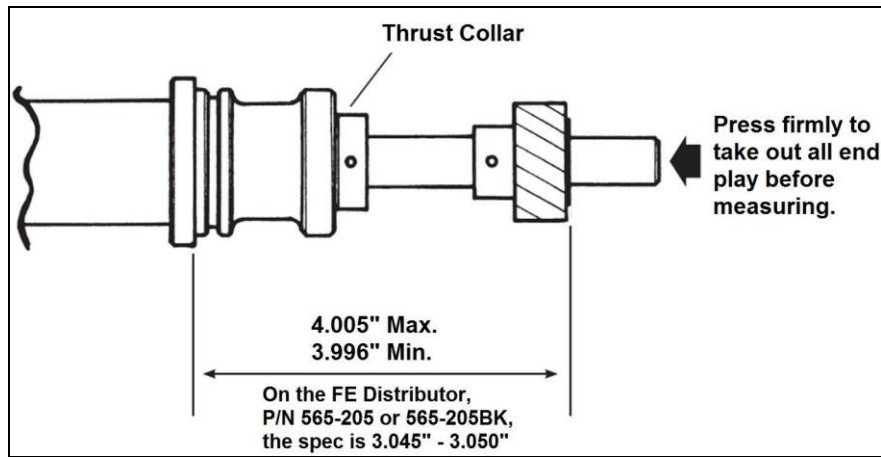


Figure 9 Gear Installation Specifications

ADJUSTING THE SLIP COLLAR (565-204/204BK ONLY):

Before installing the Distributor, the slip collar adjustment must be set, follow this procedure.

Install the gasket to the housing then loosen the slip collar and insert the distributor into the engine until it bottoms out against the oil pump drive.

After it bottoms out, raise the distributor 0.010" - 0.030" then slide the slip collar down into position and tighten it.

CHECKING GEAR MESH:

It is recommended to check for proper gear mesh between the cam gear and distributor gear. To do this, coat the distributor gear with moly grease and install the distributor. Next, crank the engine over several times. Before pulling the distributor out, make sure the rotor is in the position that lines up with the original removal mark. Then pull the distributor out and inspect the gear pattern shown on the grease. The proper mesh will leave an even pattern in the middle of the gear. Adjust the slip collar to obtain the correct mesh.

Checking the Oil Pump to Distributor Shaft Overlap:

The proper overlap between the distributor shaft and the oil pump shaft is very important. The tongue of the distributor shaft should fit into the groove of the oil pump shaft by at least 1/4". To check this:

Measure the distance between the base of the slip collar to the tip of the distributor shaft (**Figure 10**).

Using a straight edge, measure the distance from the intake manifold distributor flange to the top of the oil pump intermediate shaft (**Figure 10**).

Take the two measurements and subtract them. The difference is the overlap. If there is not enough clearance or too much clearance, a different oil pump intermediate shaft is required.

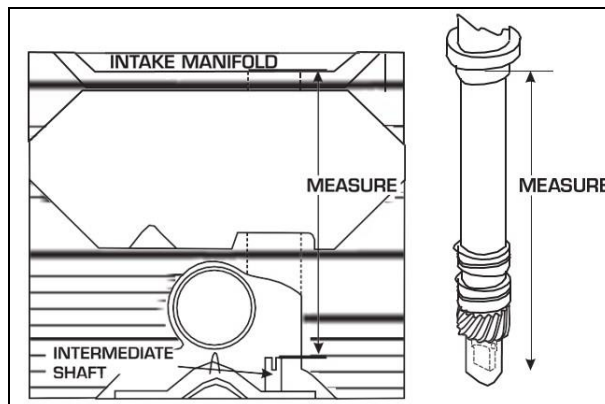


Figure 10 – Measuring Oil Pump Shaft Overlap