



2501 Ludelle Street
Fort Worth, Texas 76105
817-244-6212 Phone • 817-244-4024 Fax
888-350-6588 Sales • 800-423-9696 Tech
E-mail: painless@painlessperformance.com
Web: www.painlessperformance.com

30710

UNIVERSAL COURTESY LIGHT KIT

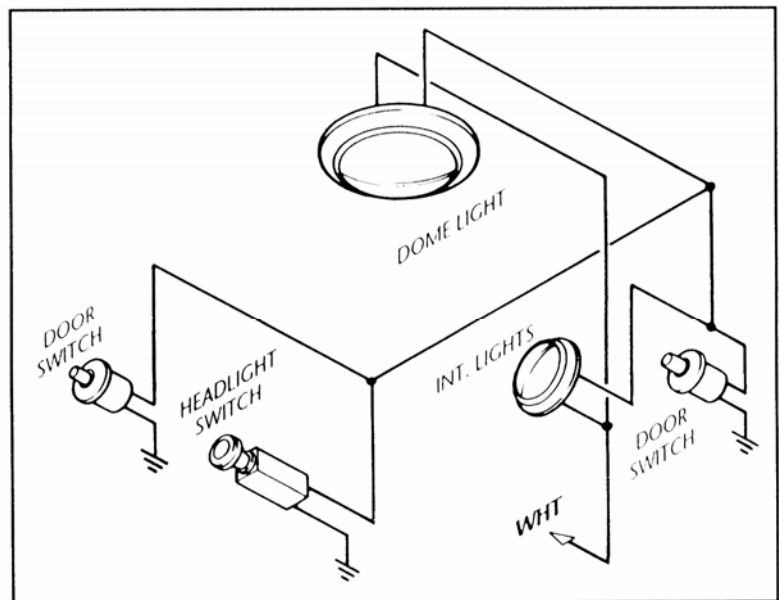
THIS KIT CONTAINS TWO (2) LIGHT SOCKET ASSEMBLIES WHICH ARE DESIGNED TO MOUNT UNDER THE DASH FOR ILLUMINATION OF THE FRONT SEAT FLOOR AREA OF THE INTERIOR.

MOUNT THE PLASTIC HOUSINGS BY DRILLING A SMALL HOLE (APPROXIMATELY 3/16") IN THE LOWER ROLL OF THE DASH OR KICK PANEL AND MOUNT USING THE SCREWS PROVIDED. THE SCREWS GO THROUGH THE HOLE AND INTO THE HOLE MOLDED INTO THE PLASTIC.

THE WHITE WIRE IS ATTACHED TO YOUR DOME LIGHT POWER LINE (B+) AND THE BLACK TO THE DOME LIGHT GROUND TERMINAL.

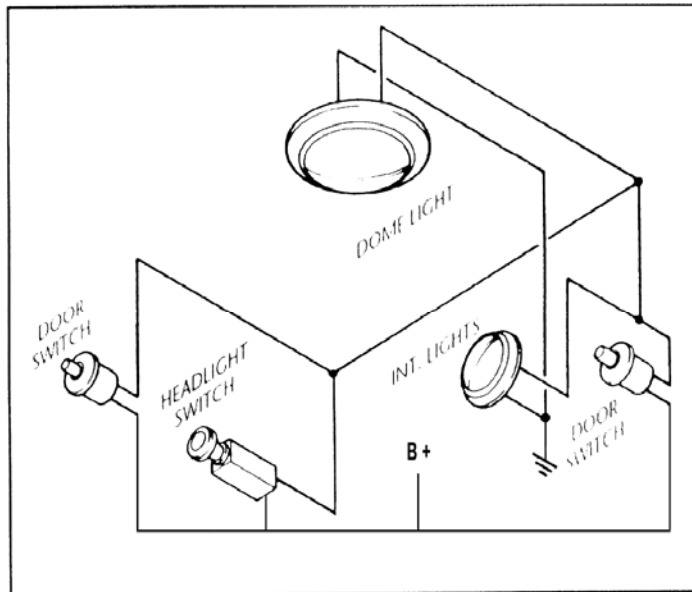
THERE ARE BASICALLY TWO DIFFERENT METHODS OF CONNECTING THESE LIGHTS. ONE USES DOOR JAMB SWITCHES WHICH SWITCH THE GROUND. THE OTHER USES DOOR JAMB SWITCHES WHICH SWITCH THE POWER. DEPENDING ON THE MANUFACTURER OF YOUR VEHICLE EITHER OF THE TWO METHODS COULD HAVE BEEN USED.

THIS SIMPLE DIAGRAM ILLUSTRATES THE DOOR JAMB SWITCHES THAT SWITCH THE GROUND. THEY ARE NORMALLY CLOSED TYPE SWITCHES AND WHEN THE DOOR IS CLOSED THEY OPEN THE CIRCUIT TURNING THE LIGHTS OFF.



NOTE: BY ATTACHING THE BLACK WIRES OF BOTH LIGHTS TOGETHER, AND THEN TO THE JAMB AND/OR LIGHT SWITCH, BOTH LIGHTS WILL COME ON AT THE SAME TIME.

THIS SIMPLE DIAGRAM ILLUSTRATES THE DOOR JAMB SWITCHES THAT SWITCH THE POWER. THEY ARE NORMALLY CLOSED TYPE SWITCHES AND WHEN THE DOOR IS CLOSED THEY OPEN THE CIRCUIT TURNING THE LIGHTS OFF.



Painless Performance Limited Warranty And Return Policy

Chassis harnesses and fuel injection harnesses are covered under a lifetime warranty. All other products manufactured and/or sold by Painless Performance are warranted to the original purchaser to be free from defects in material and workmanship under normal use. Painless Performance will repair or replace defective products without charge during the first 12 months from the purchase date. No products will be considered for warranty without a copy of the purchase receipt showing the seller's name, address and date of purchase. You must return the product to the dealer you purchased it from to initiate warranty procedures.