



2501 Ludelle Street
Fort Worth, Texas 76105
817-244-6212 phone
817-244-4024 fax
888-350-6588 order
800-423-9696 technical
E-Mail: painless@painlessperformance.com
Web: www.painlessperformance.com

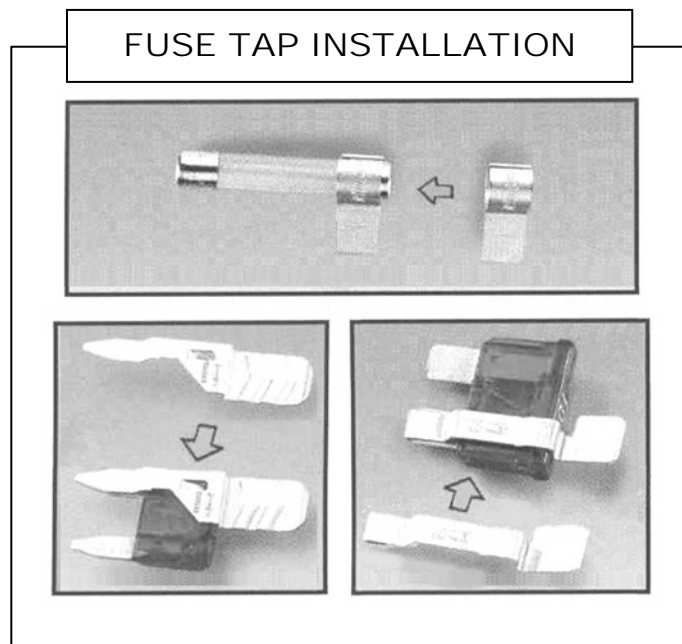
70118

HEAVY DUTY CIRKIT BOSS/ 7 CIRCUITS INSTALLATION INSTRUCTIONS

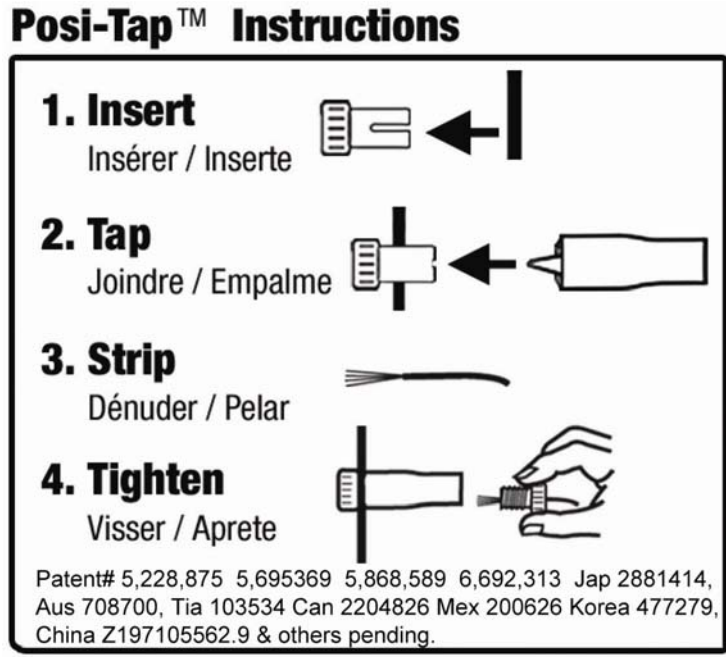
THIS KIT IS A MULTIPLE CIRCUIT FUSEBLOCK THAT PROVIDES ADDITIONAL ELECTRICAL CIRCUITS WITHOUT ANY EXTRA STRAIN ON THE FACTORY ELECTRICAL SYSTEM. THIS FUSEBLOCK ASSEMBLY IS DESIGNED WITH 3 CIRCUITS THAT ARE POWERED ONLY WHEN THE IGNITION IS TURNED ON.

A: INSERT THE RELAYS INTO THE RELAY BASES. (USING THE SCREWS PROVIDED) MOUNT THE FUSEBLOCK AND RELAYS IN A CONVENIENT LOCATION WHERE THE FUSES ARE SERVICEABLE. IF ADDITIONAL SPACE IS NEEDED BETWEEN THE FUSEBLOCK AND THE MOUNTING SURFACE YOU CAN USE THE SPACER PROVIDED. THE SPACER WILL NEED TO BE CUT IN HALF USING ONE PIECE AT EACH END OF THE FUSEBLOCK.

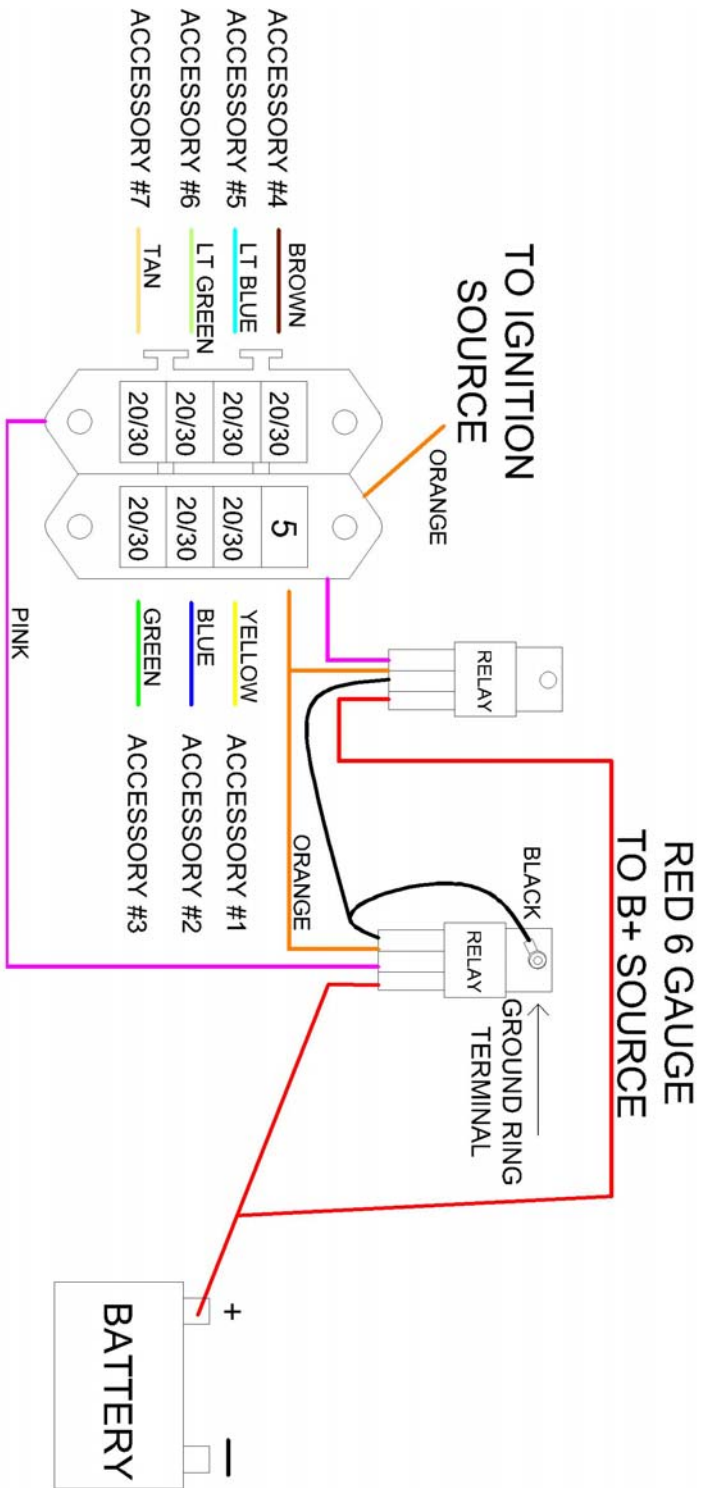
B: USE A VOLT METER OR TEST LIGHT TO FIND A FUSE IN THE FACTORY FUSEBLOCK THAT HAS POWER ONLY WHEN THE IGNITION SWITCH IS IN THE ON POSITION. REMOVE THE FUSE, TEST TO SEE WHICH SIDE OF THE FUSE TERMINAL IS HOT AND INSTALL ONE OF THE FUSE TAPS ON THAT SIDE OF THE FUSE, REINSTALL THE FUSE. ROUTE THE ORANGE WIRE LABELLED (TO IGNITION SOURCE) TO THE FUSE TAP. **NOTE: BE SURE THE FUSE TAP IS ON THE HOT TERMINAL SIDE IN THE FACTORY FUSEBLOCK.**



IF YOU DON'T LIKE FUSE TAPS THEN USE THE POSI-TAP FROM THE PARTS KIT TO TAP ONTO AN IGNITION POWERED WIRE COMING FROM THE IGNITION SWITCH OR FUSEBLOCK.



- C:** ROUTE THE 10 GAUGE RED WIRE LABELLED (**TO B+ SOURCE**) OUT TO THE B+ TERMINAL ON THE BATTERY OR A HIGH AMPERAGE JUNCTION. CUT THE WIRE TO LENGTH AND ATTACH IT USING ONE THE RING TERMINALS THAT FITS THE BOLT OR STUD.
- D:** NOW ROUTE THE **ACCESSORY #1, #2, #3, #4, #5, #6 AND #7** POWER WIRES TO THEIR INTENDED LOCATIONS. ATTACH THEM TO THE ACCESSORY REQUIRING FUSED POWER USING THE SUPPLIED BUTT SPLICES.
- E:** POPULATE THE FUSE BLOCK WITH THE APPROPRIATELY RATED FUSE FOR EACH CIRCUIT. KEEP IN MIND THE RELAYS USED ON THIS CIRKIT BOSS ARE DESIGNED TO HANDLE 70 AMPS OF CONTINUOUS CURRENT EACH. DO NOT ATTEMPT TO DRAW MORE THAN 140 AMPS OF CURRENT THROUGH THIS CIRKIT BOSS KIT. DOING SO WILL CAUSE PREMATURE FAILURE OF THESE RELAYS.



Painless Performance Limited Warranty and Return Policy

Chassis harnesses and fuel injection harnesses are covered under a lifetime warranty. All other products manufactured and/or sold by Painless Performance are warranted to the original purchaser to be free from defects in material and workmanship under normal use. Painless Performance will repair or replace defective products without charge during the first 12 months from the purchase date. No products will be considered for warranty without a copy of the purchase receipt showing the sellers name, address and date of purchase. You must return the product to the dealer you purchased it from to initiate warranty procedures.

Copyright © 2009 by Perfect Performance Products, LLC